

## FEATURES

- Miniature solenoid valve for respirators, medical analyzers, gas analyzers and control units, as well as for use as a pilot valve.
- RoHS compliant.
- New flat-spring technology enables
  - short response times and their precise adjustment
  - very low switching noise
  - exceptional long service life
- Suitable for oxygen service
- Easy to integrate thanks to the valves' small size.
- Pad-mount for installation on multiple manifolds.
- Vacuum application up to 0,1 bar abs.

## GENERAL

<b>Differential pressure</b>	See "SPECIFICATIONS" [1 bar =100 kPa]
<b>Maximum viscosity</b>	20 cSt (mm <sup>2</sup> /s)
<b>Response time</b>	< 10 ms
<b>Internal volume</b>	≤ 150 µl (couplings not included)

fluids (*)	temperature range (TS)	seal materials (*)
air, inert gases, oxygen (filtered 50 µm)	0°C to +60°C	FPM (fluoroelastomer)

## MATERIALS IN CONTACT WITH FLUID

(\*) Ensure that the compatibility of the fluids in contact with the materials is verified.

<b>Body</b>	Stainless steel
<b>Plugnut</b>	Stainless steel
<b>Flat-spring</b>	Stainless steel
<b>Seat and housing base</b>	PEEK
<b>Seals</b>	FPM (other materials: contact us)

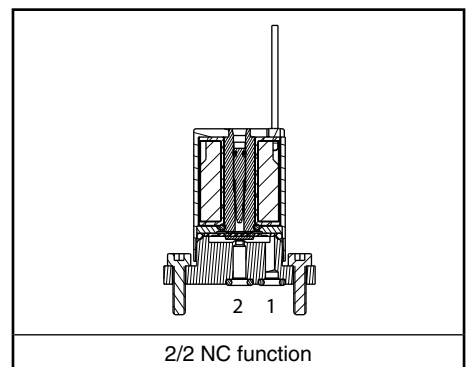
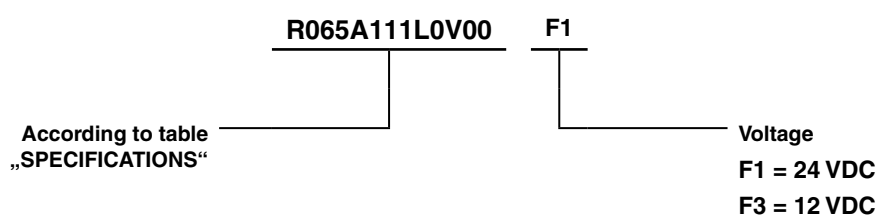
## ELECTRICAL CHARACTERISTICS

<b>Coil insulation class</b>	F
<b>Connection</b>	Cable leads AWG 26/7, 80mm length
<b>Electrical safety</b>	IEC 335
<b>Electrical enclosure protection</b>	IP40 (EN 60529)
<b>Standard voltages</b>	DC (=) : 12V, 24V
<b>Power</b>	2W at 20°C
<b>Duty cycle</b>	100% at ambient temperature 0°C to 60°C

## SPECIFICATIONS

function	orifice size (mm)	flow coefficient kv		operating pressure differential (bar)		power coil (W)	catalogue number
		(m <sup>3</sup> /h)	(l/min)	min.	max.		
2/2 NC	0,6	0,010	0,159	0	9	2	R065A111L0V00xx
	1,2	0,035	0,580	0	3	2	R065A114L0V00xx

## ORDERING



### OPTIONS (on request)

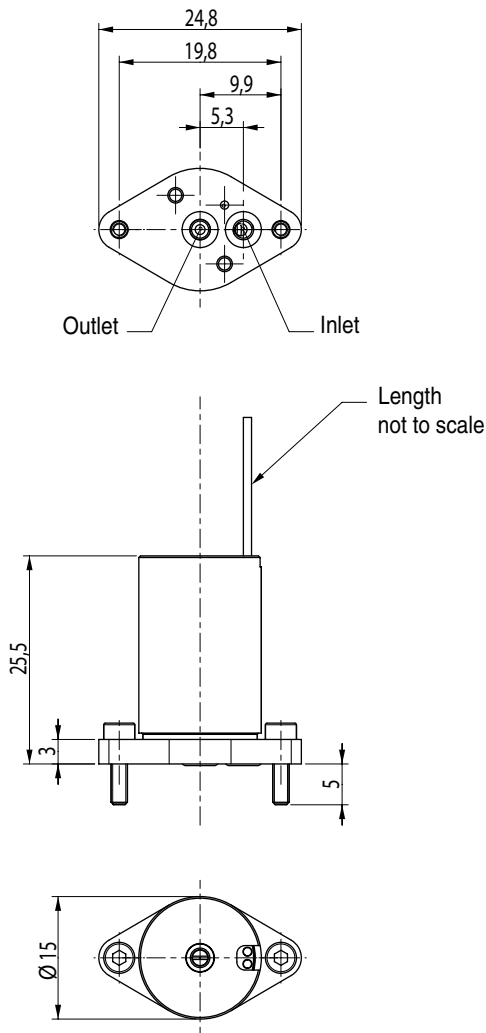
- Other seal materials
- Specific response times
- Optimised operating noise level

### INSTALLATION

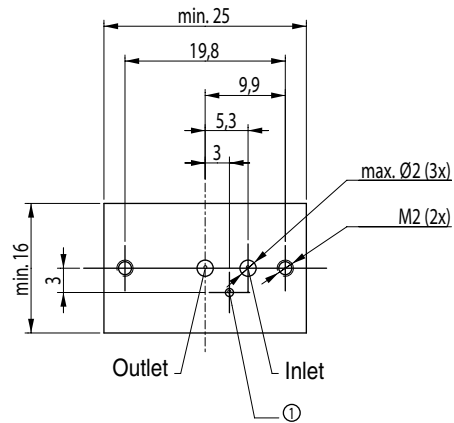
- The solenoid valves can be mounted in any position without affecting operation.
- Seals and mounting screws (M2, hexagon socket, DIN912) for flange connection are standard supplied.

### DIMENSIONS (mm), WEIGHT (kg)

Weight\*: 0,020 kg



### Subbase mounting surface



- ① Optional orientation pin  $\varnothing=1,0$ mm (m6), DIN EN ISO 2338 (not supplied). Must project not more than 3mm.

\* Incl. mounting screws