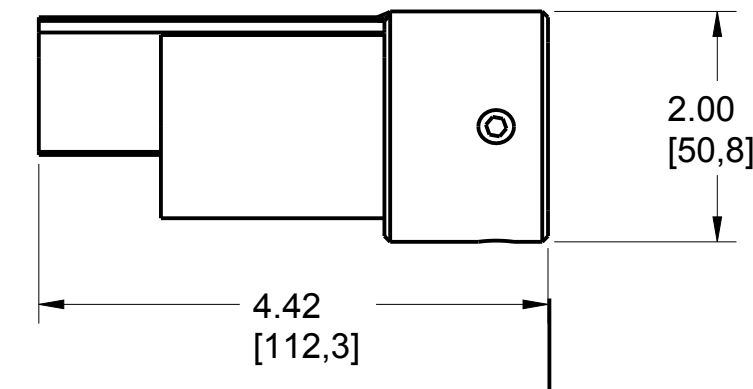


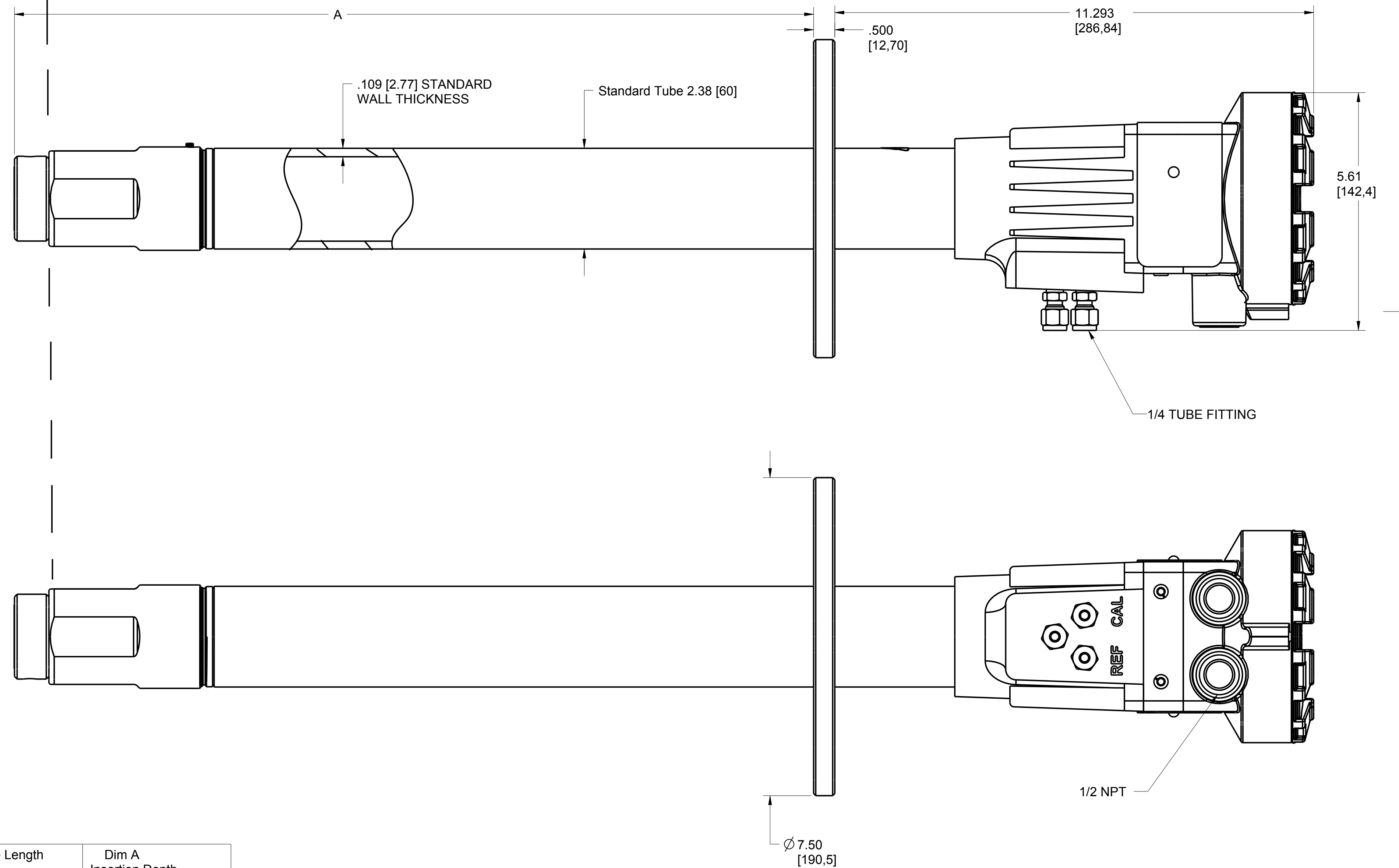
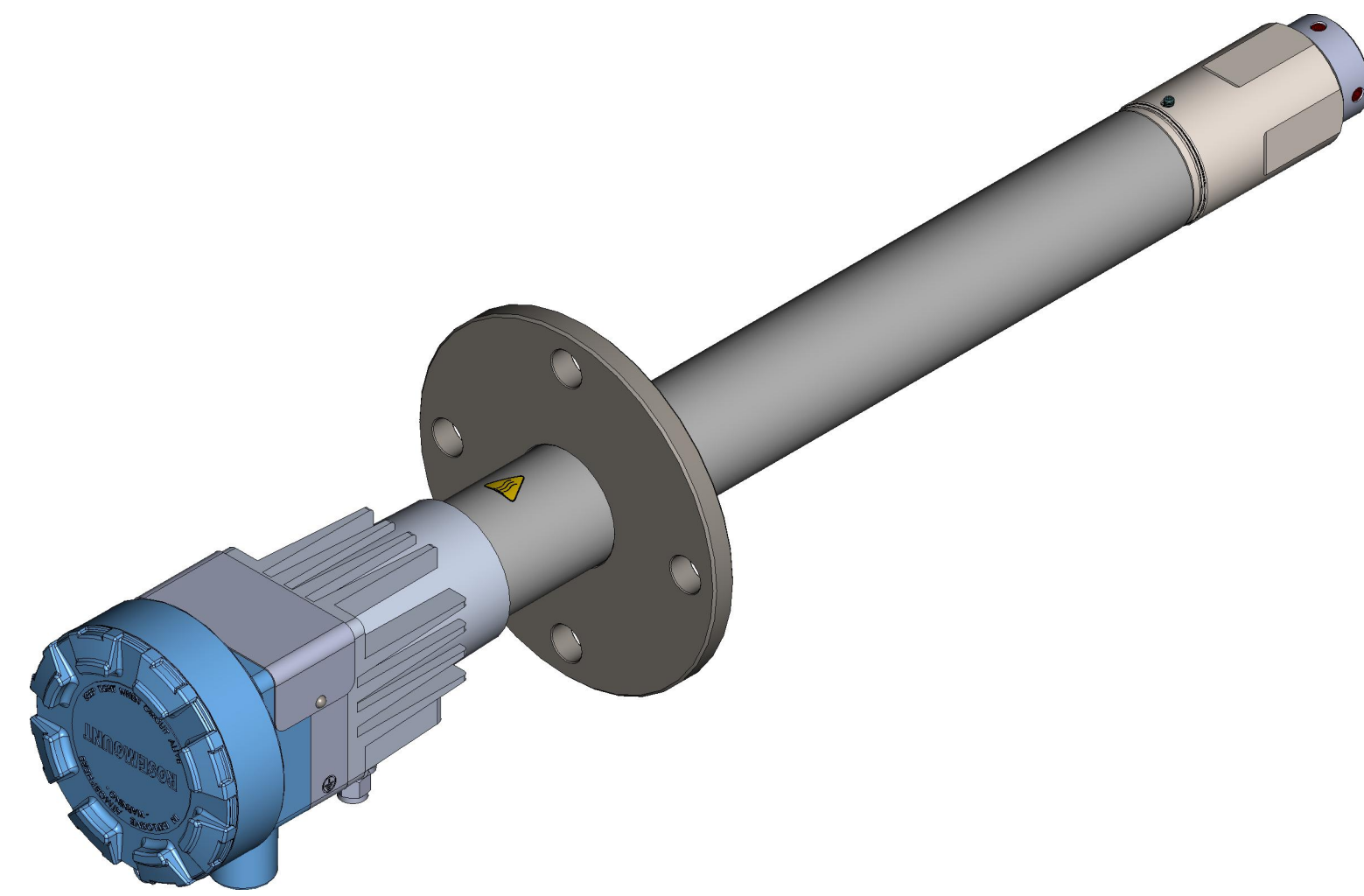
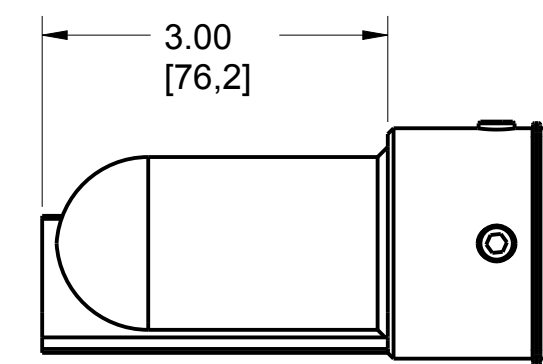
ROSEMOUNT MODEL 6888C OXYGEN PROBE STANDARD HOUSING

REVISION TABLE			
REVISION	ECO NO.	APP'D	DATE
AA	12073	J SUMSTED	8/17/18
DESCRIPTION			
NEW RELEASE			

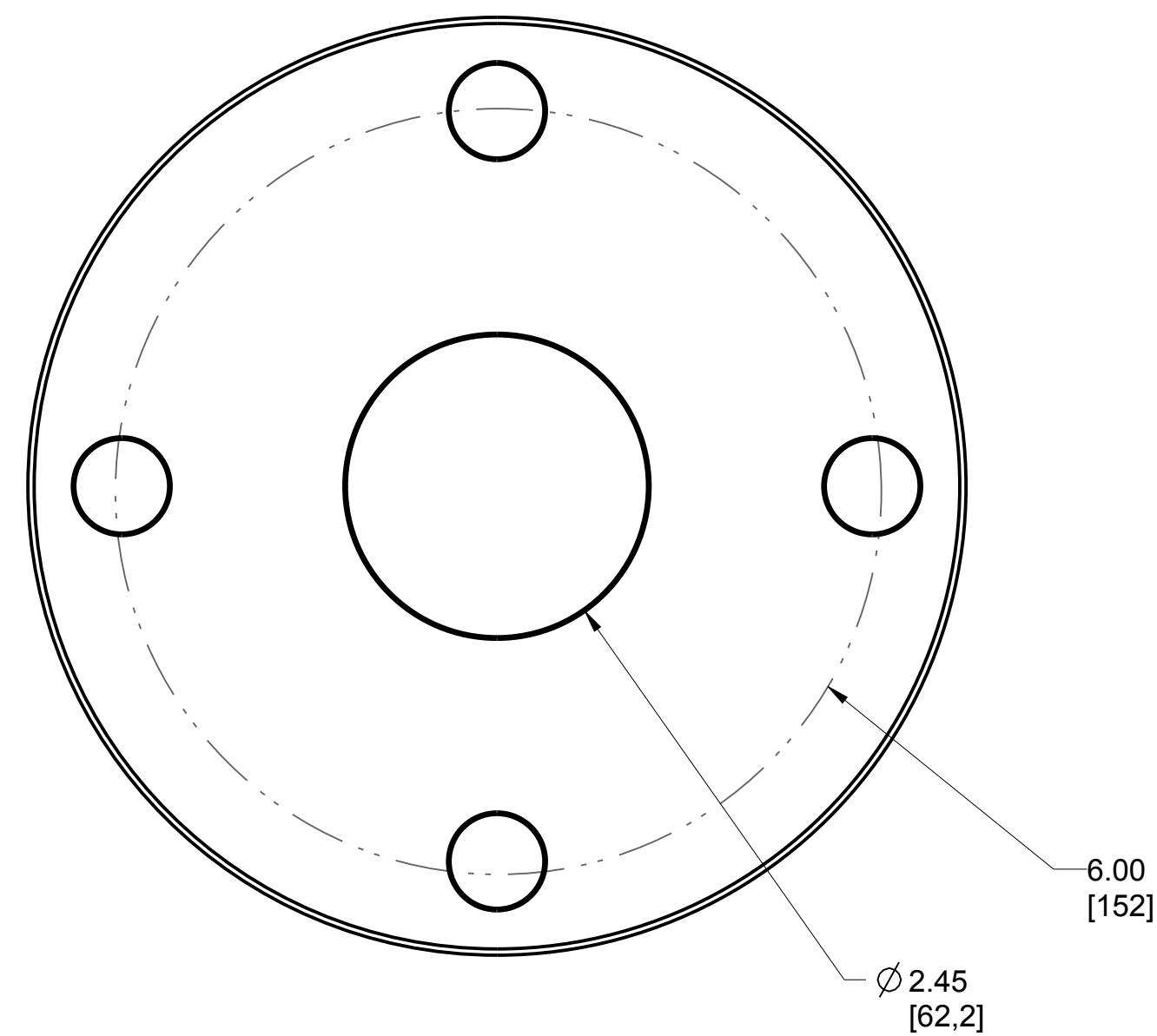
HASTELLOY DIFFUSER



CERAMIC DIFFUSER



MOUNTING FLANGE



Probe Length	Dim A Insertion Depth
18 in. [457mm]	18.85 in. [479 mm]
3 ft. [.91m]	36.85 in. [936 mm]
6 ft. [1.83m]	72.85 in. [1850 mm]

©2015 ROSEMOUNT INC.
ROSEMOUNT INC. CERTIFIES
THIS DRAWING IS IN
ACCORDANCE WITH
ROSEMOUNT ENGINEERING
SPECIFICATIONS.
UNIT NOTES IN INCHES (mm).
REFERENCE ROSEMOUNT
PRODUCT SPECIFICATIONS.
[CLICK HERE](#)

3RD ANGLE

EMERSON

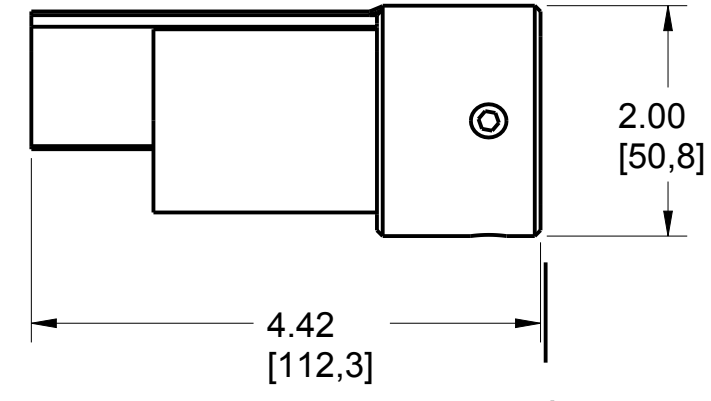
TITLE
**ROSEMOUNT 6888C
TYPE I DRAWING**

DR. J. ARMSTRONG	8/16/18	DRAWING NO.	06888-7001
APP'D J SUMSTED	8/16/18		

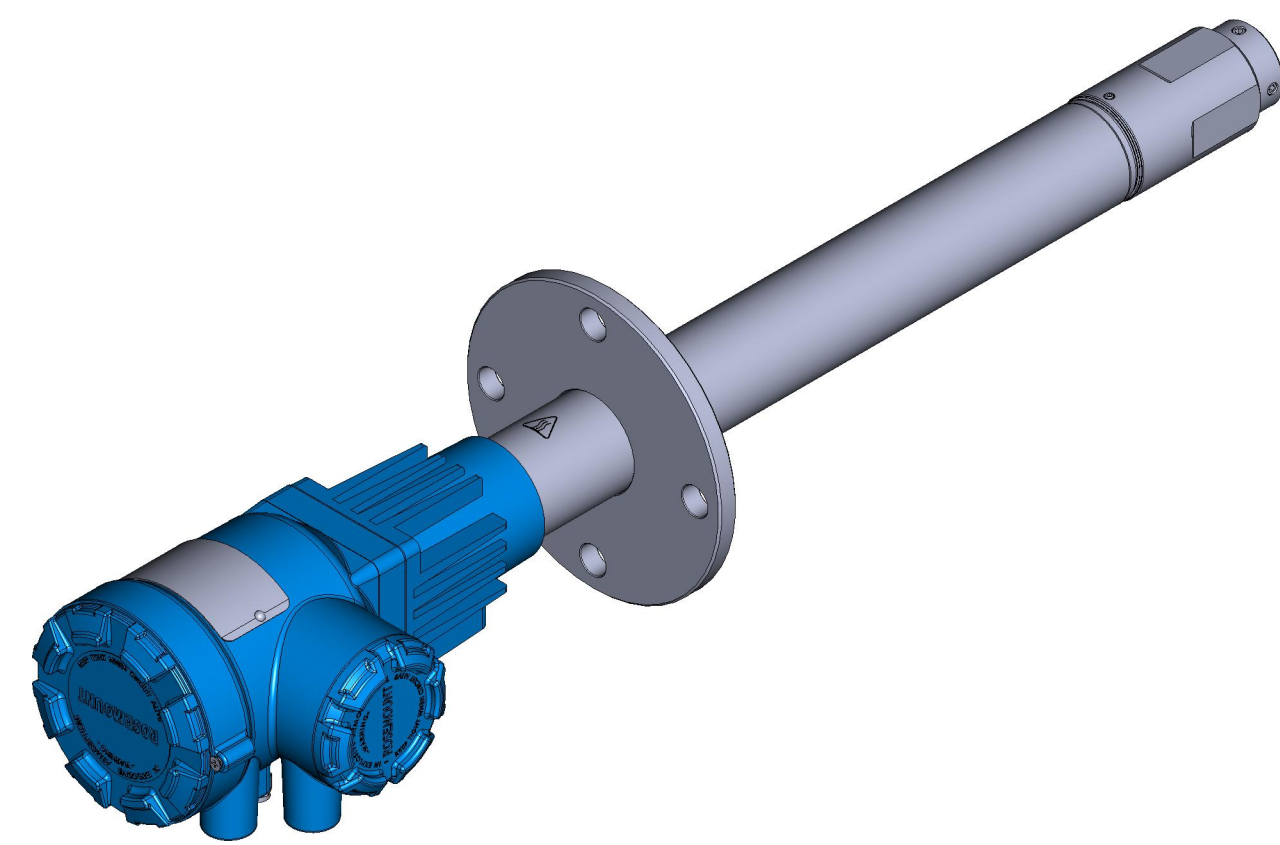
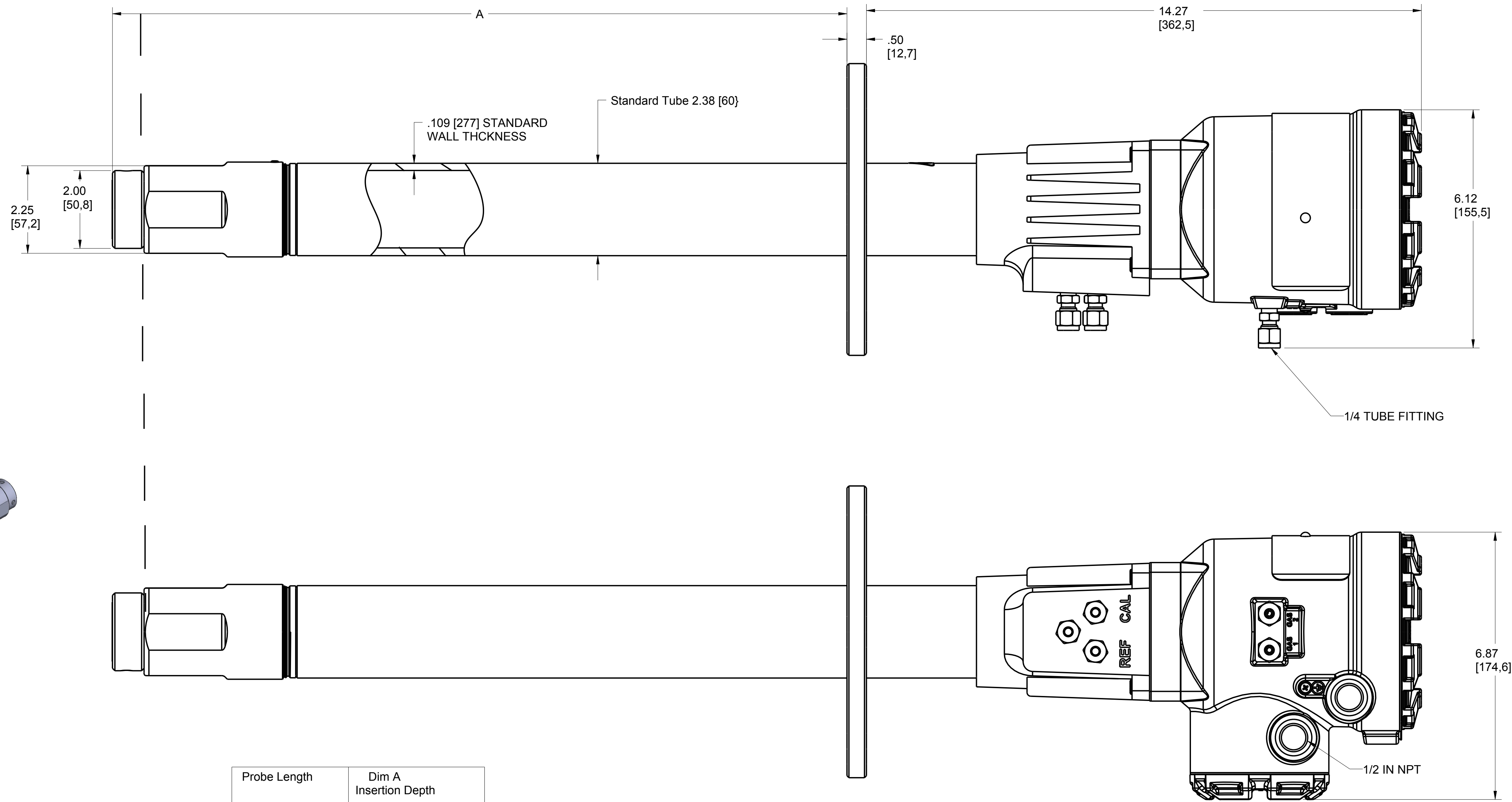
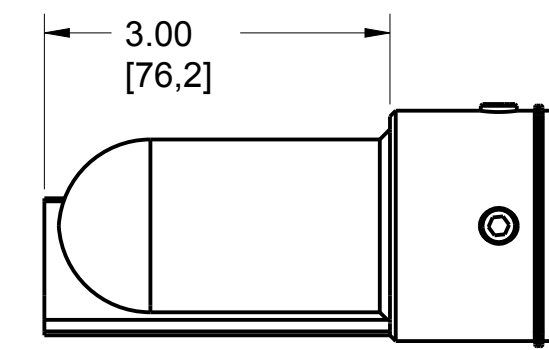
CAD MAINTAINED, (PROE) SHEET 1 OF 3

ROSEMOUNT MODEL 6888C OXYGEN PROBE AUTOCAL HOUSING

HASTELLOY DIFFUSER



CERAMIC DIFFUSER



Probe Length	Dim A Insertion Depth
18 in. [457mm]	18.85 in. [479 mm]
3 ft. [.91m]	36.85 in. [936 mm]
6 ft. [1.83m]	72.85 in. [1850 mm]

©2015 ROSEMOUNT INC.
ROSEMOUNT INC. CERTIFIES
THIS DRAWING IS IN
ACCORDANCE WITH
ROSEMOUNT ENGINEERING
SPECIFICATIONS.
UNIT NOTES IN INCHES (mm).
REFERENCE ROSEMOUNT
PRODUCT SPECIFICATIONS.
[CLICK HERE](#)

3RD ANGLE

EMERSON

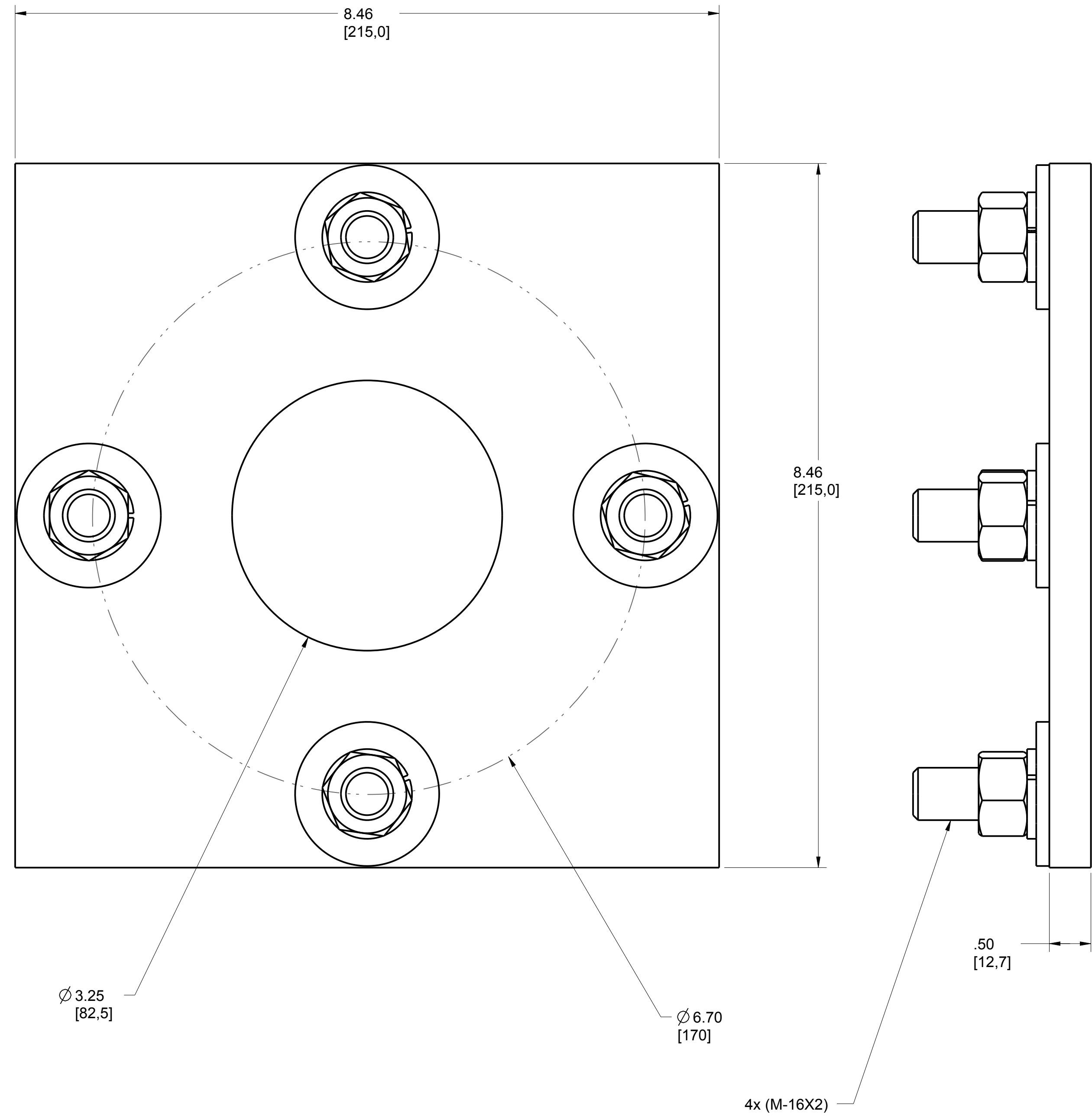
TITLE
**ROSEMOUNT 6888C
TYPE I DRAWING**

DR. J. ARMSTRONG	8/16/18	DRAWING NO.	06888-7001
APPD J SUMSTED	8/16/18		

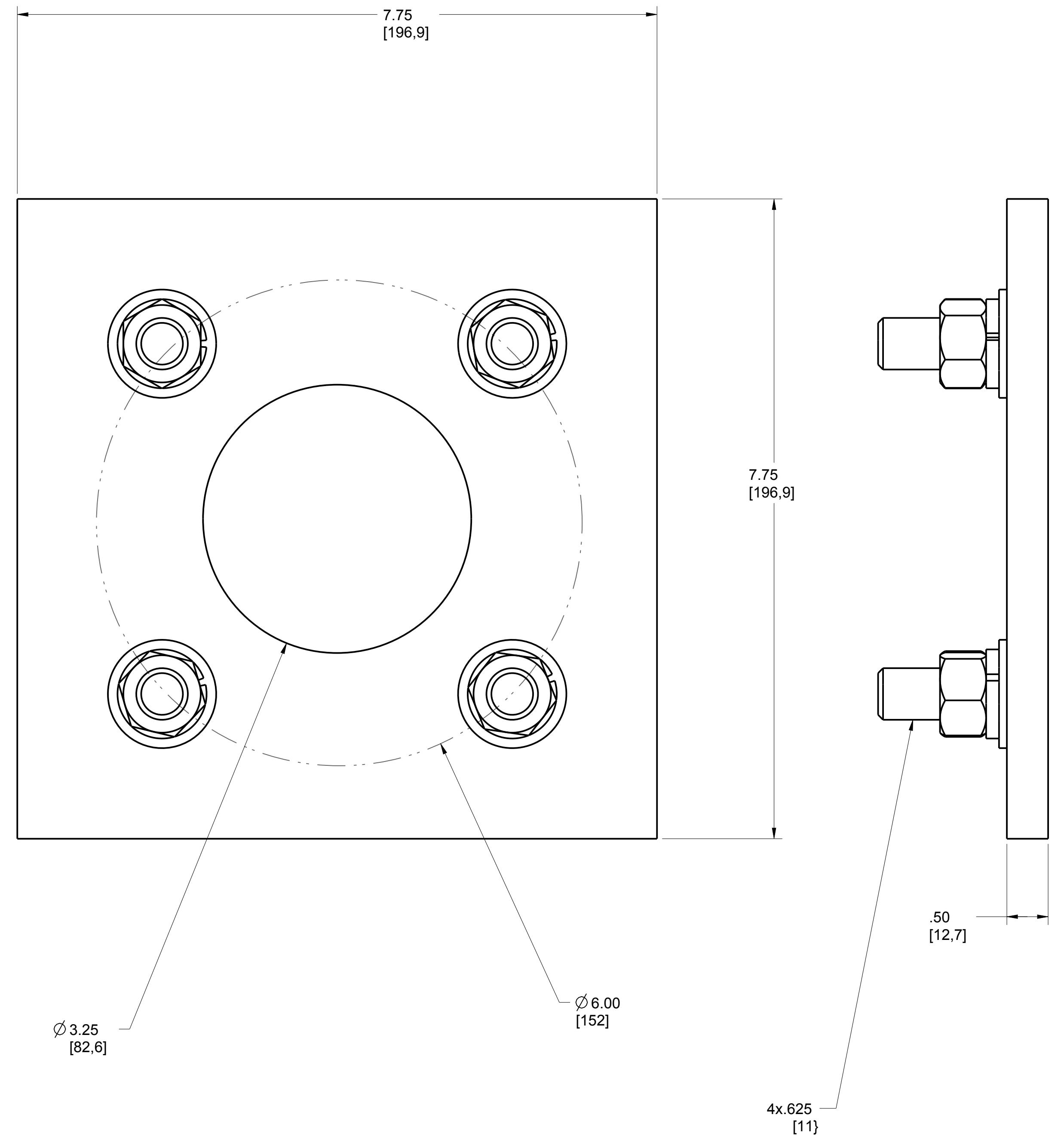
CAD MAINTAINED, (PROE) SHEET 2 OF 3

ROSEMOUNT MODEL 6888C OXYGEN PROBE STANDARD HOUSING

DIN WELD PLATE



WELD PLATE



©2015 ROSEMOUNT INC.
ROSEMOUNT INC. CERTIFIES
THIS DRAWING IS MADE IN
ACCORDANCE WITH THE
ROSEMOUNT ENGINEERING
SPECIFICATIONS.
UNIT NOTES IN INCHES (mm).
REFERENCE ROSEMOUNT
PRODUCT SPECIFICATIONS.
[CLICK HERE](#)

3RD ANGLE

EMERSON

TITLE
**ROSEMOUNT 6888C
TYPE I DRAWING**

DR. J. ARMSTRONG	8/16/18	DRAWING NO.	
APP'D J SUMSTED	8/16/18		06888-7001
CAD MAINTAINED, (PROE)		SHEET 3 OF 3	

SIZE D SCALE NTS