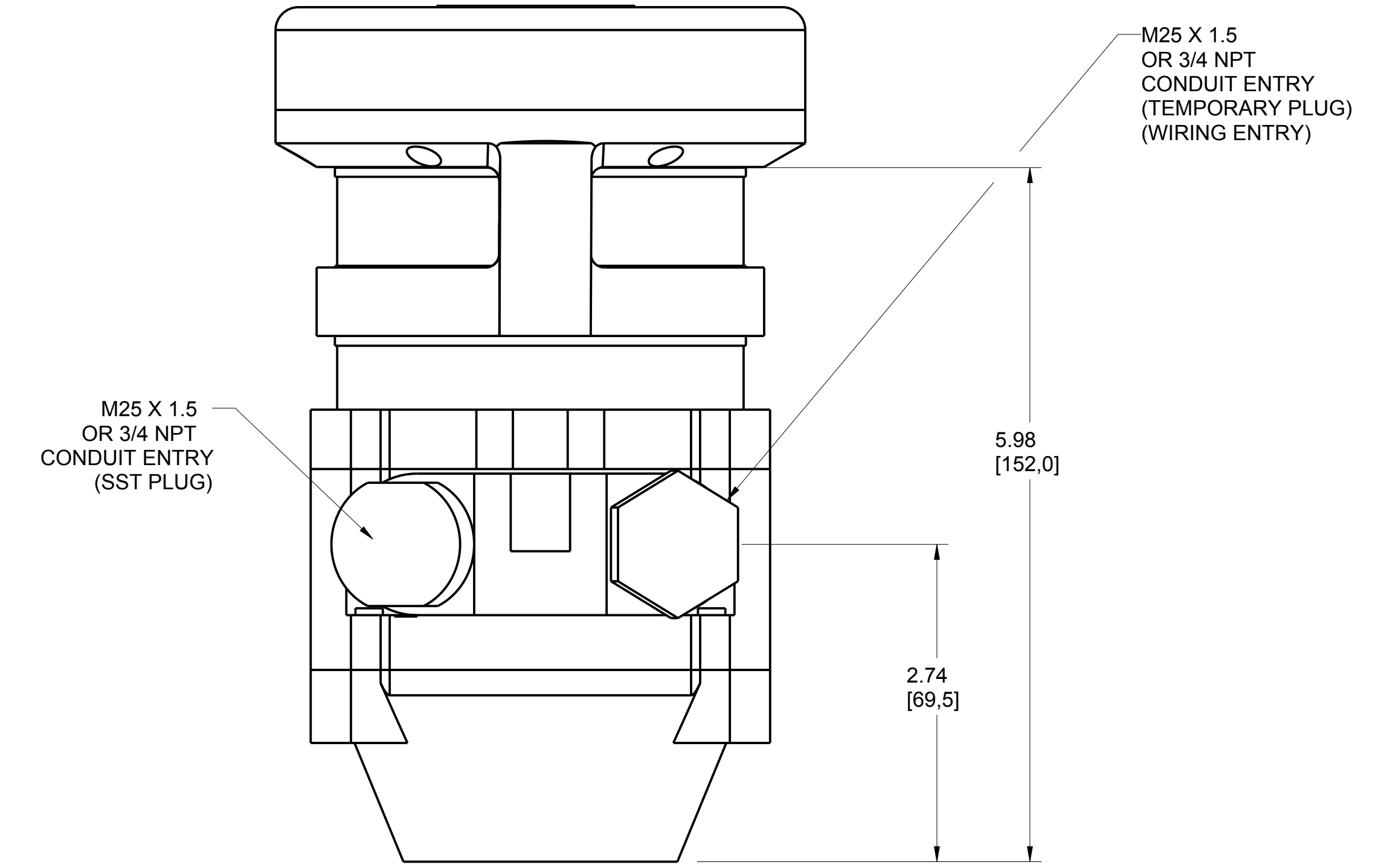
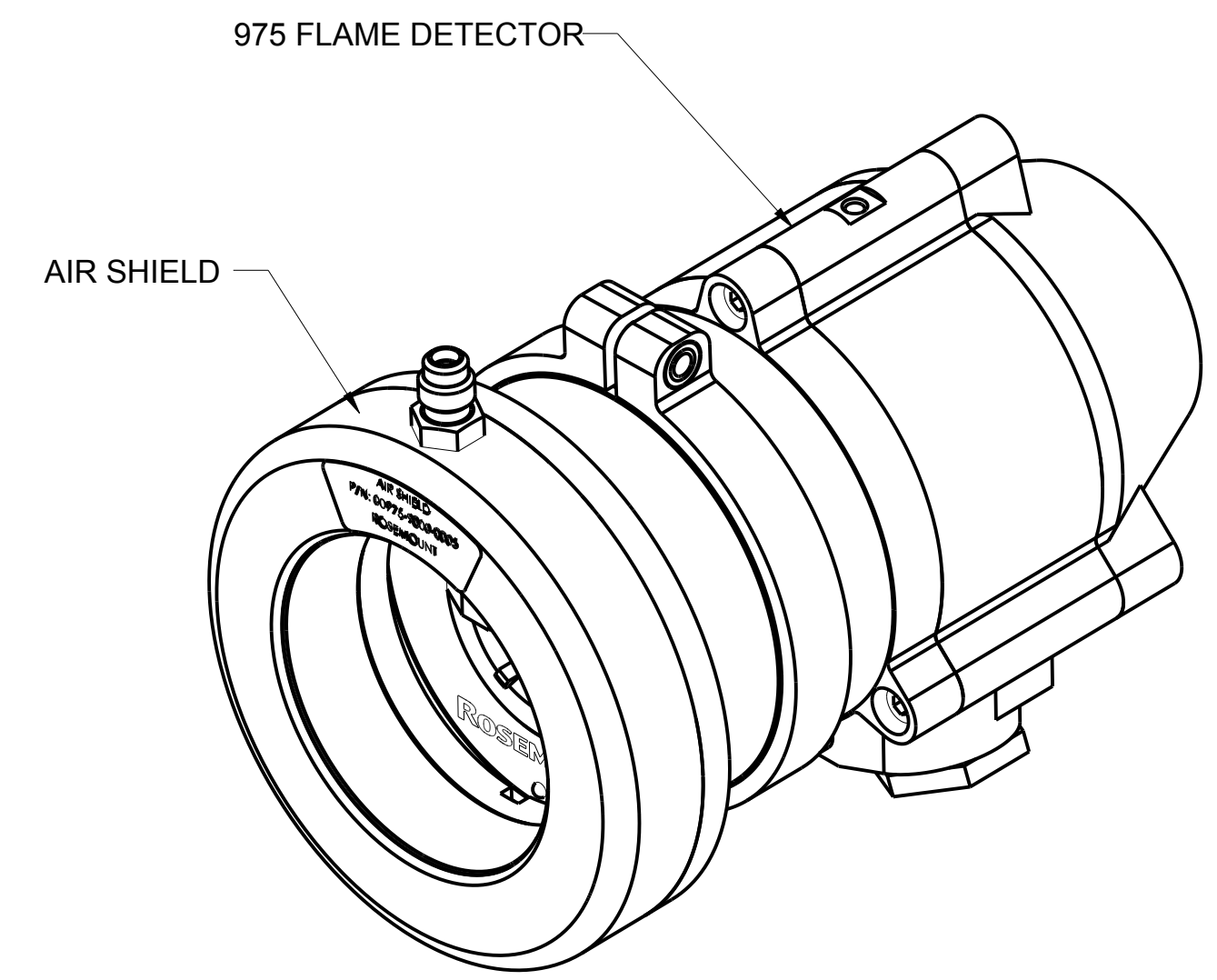
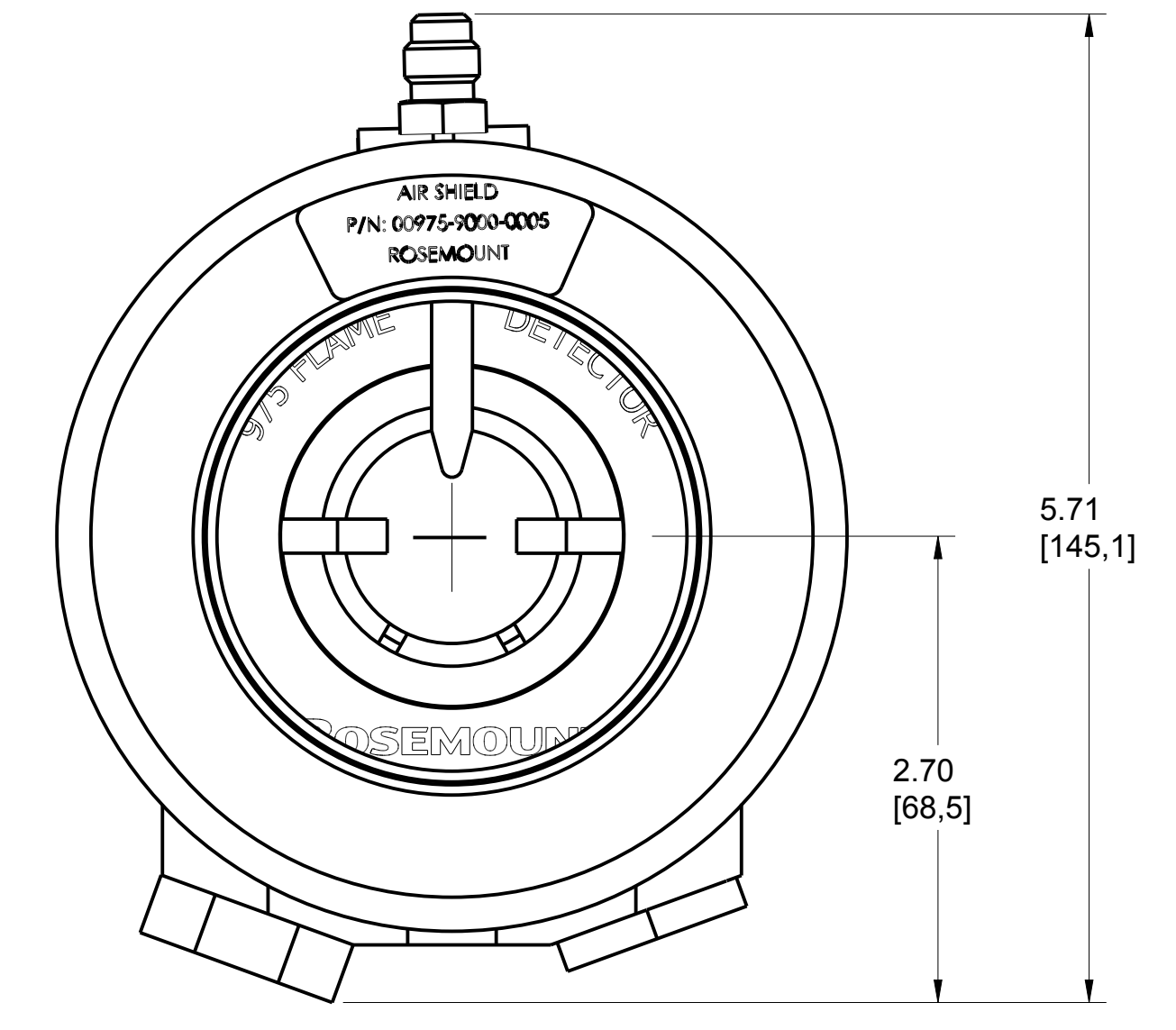
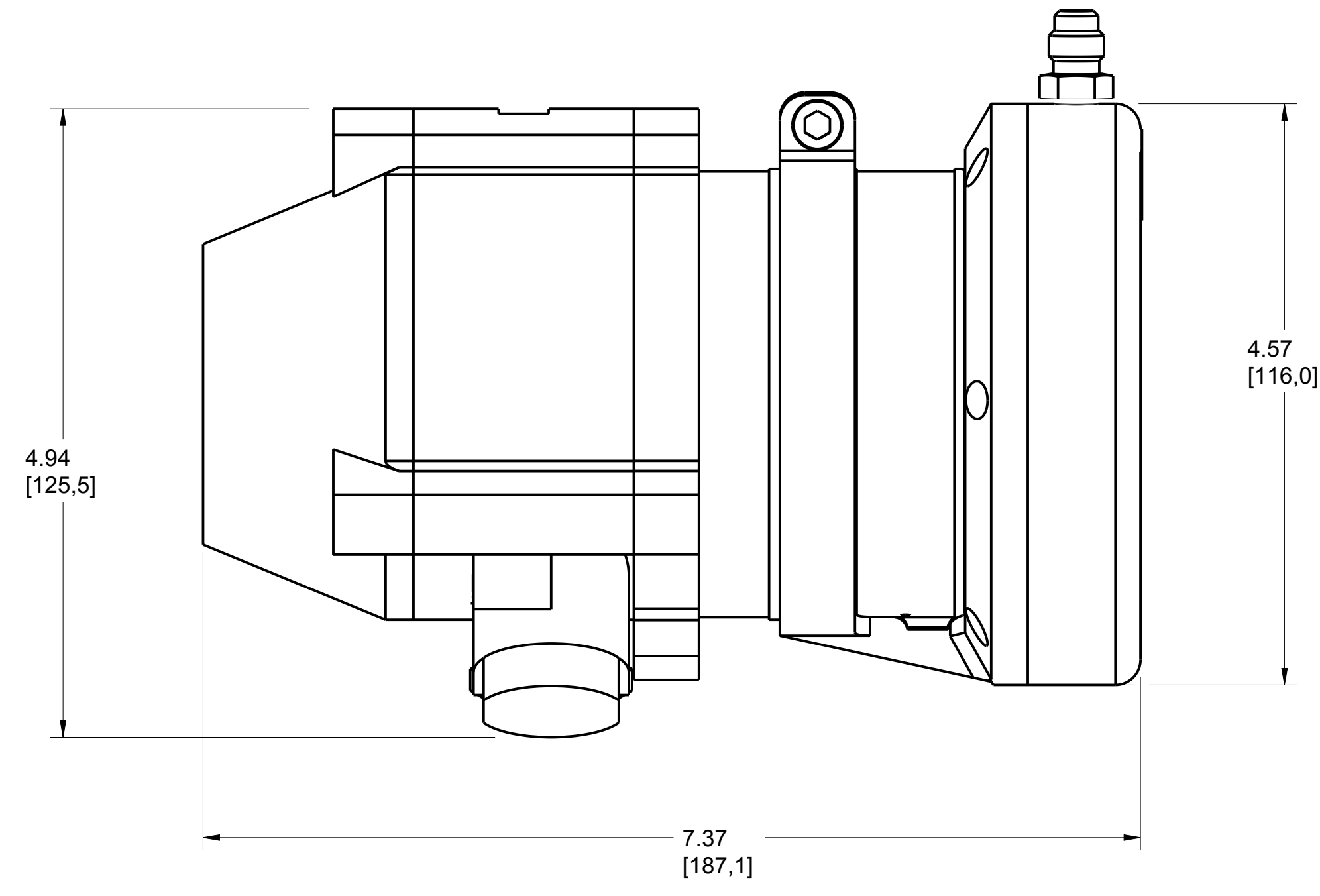


MODEL 975 FLAME DETECTOR WITH AIR SHIELD

REVISION TABLE			
REVISION	ECO NO.	APP'D	DATE
AA	RTCXXXXXX	M. NYLAND	12/8/16
DESCRIPTION			
NEW RELEASE			



©2015 ROSEMOUNT INC.
ROSEMOUNT INC. CERTIFIES
THIS DRAWING IS CORRECT IN
ACCORDANCE WITH
ROSEMOUNT ENGINEERING
SPECIFICATIONS.
UNIT NOTES IN INCHES (mm).
REFERENCE ROSEMOUNT
PRODUCT SPECIFICATIONS.
CLICK HERE

3RD ANGLE

EMERSON

TITLE ROSEMOUNT 975 & AIR SHIELD
TYPE I DRAWING

DR. J. ARMSTRONG	11/2/16	DRAWING NO.	00975-7007
APP'D M. NYLAND	11/2/16		

CAD MAINTAINED, (PROE) SHEET 1 OF 1