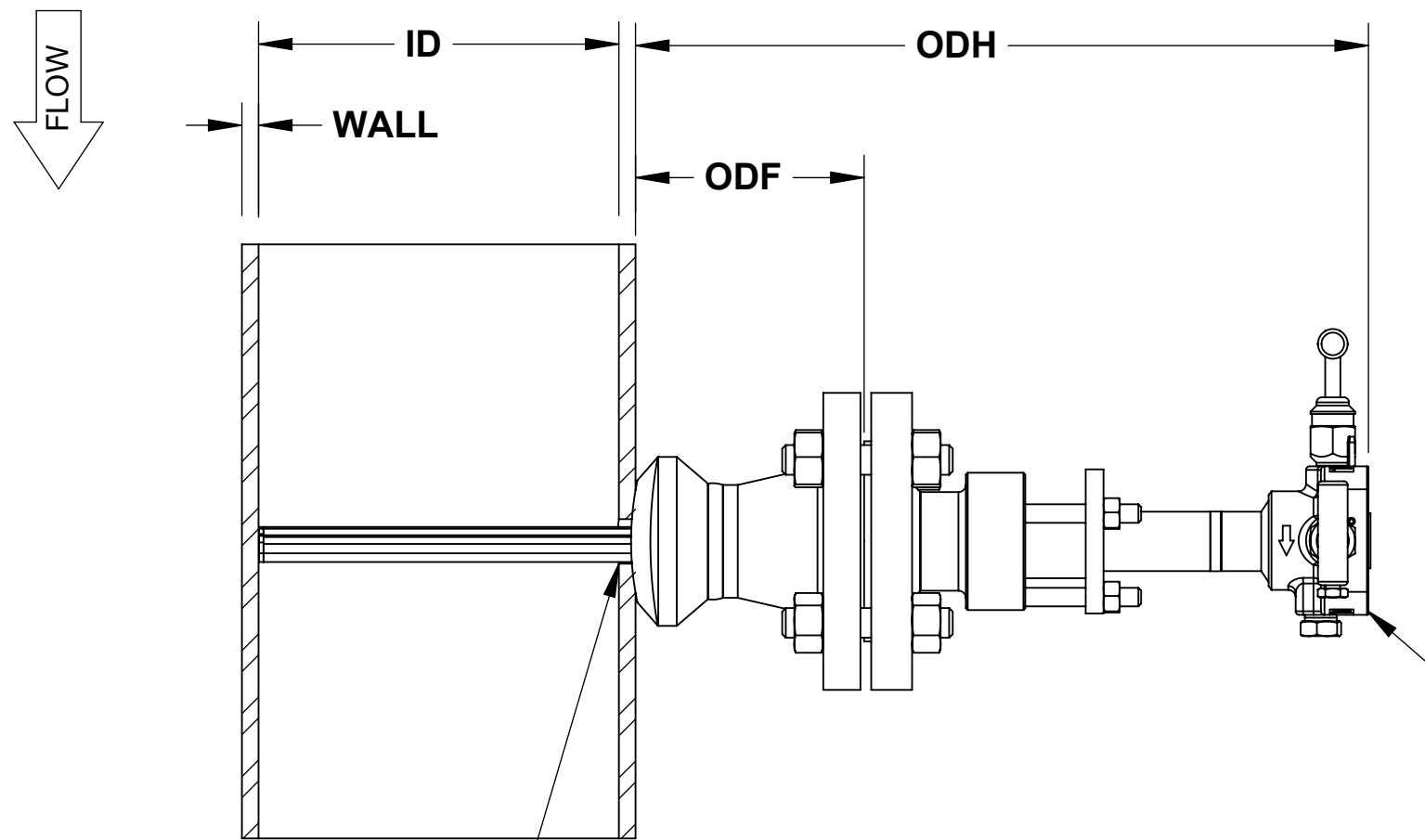
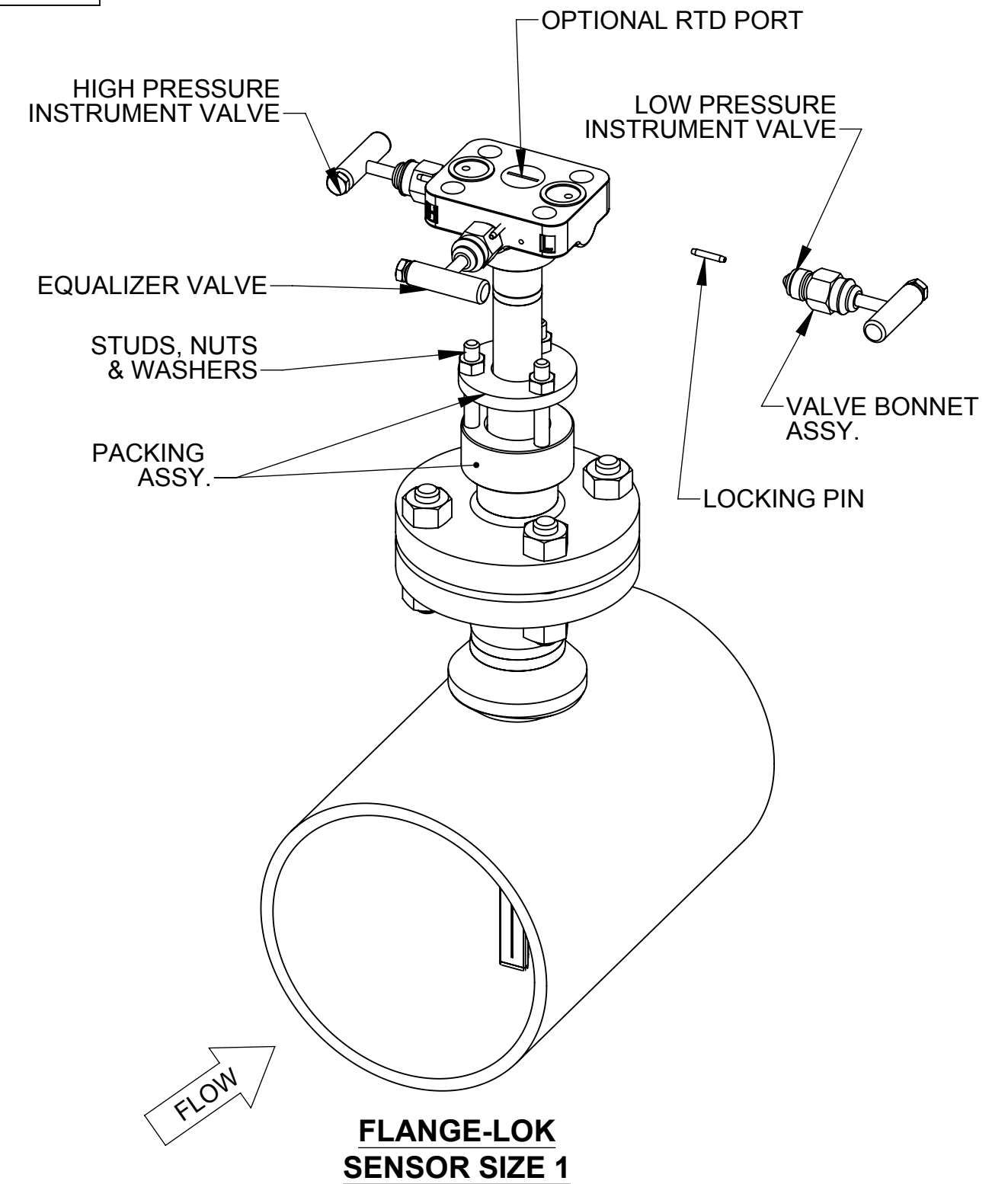
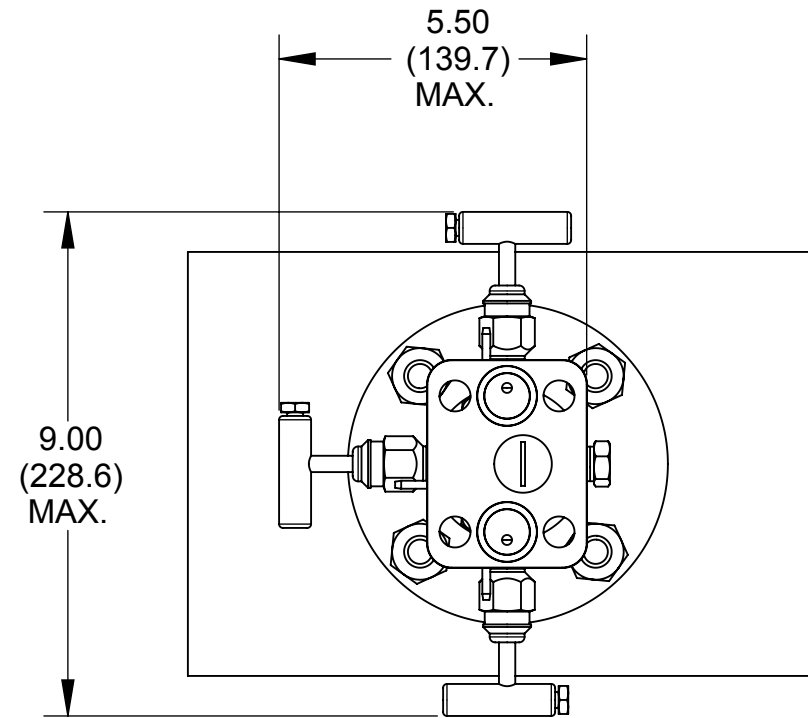
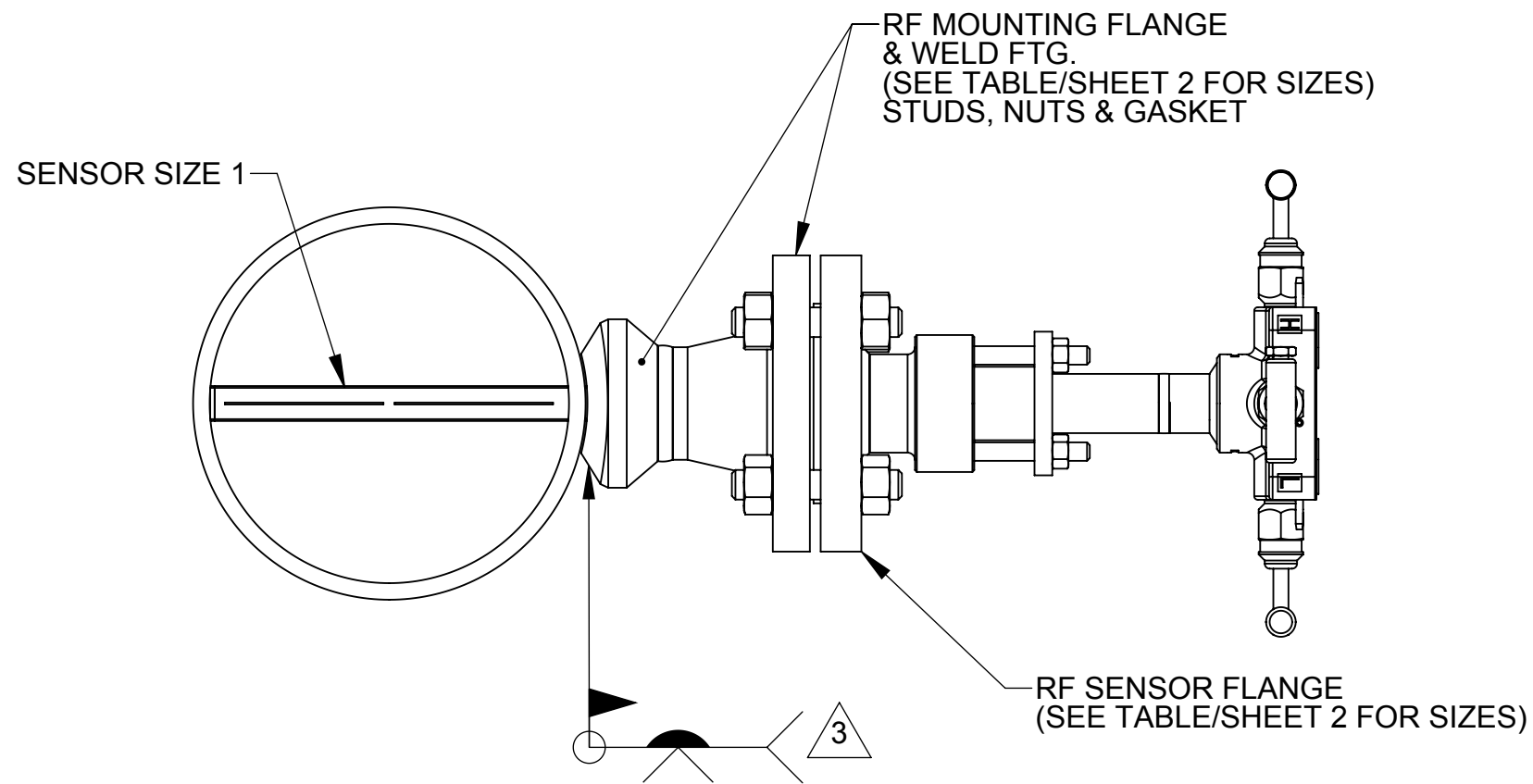


REVISIONS				
REV	DESCRIPTION	CHG.NO.	APP'D	DATE
AB	ADDED LOW TIER TRANSMITTER	DSI1003150	JR	02/15/10



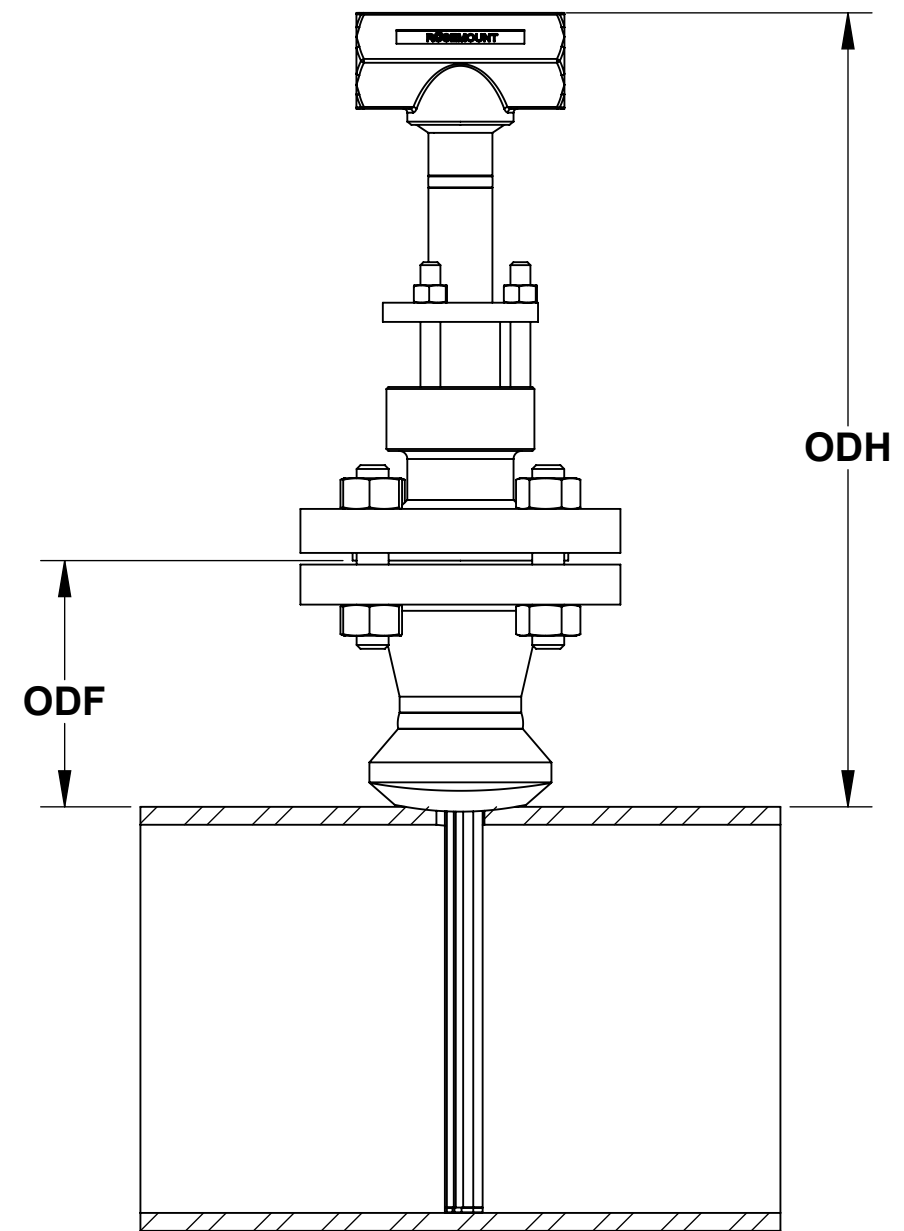
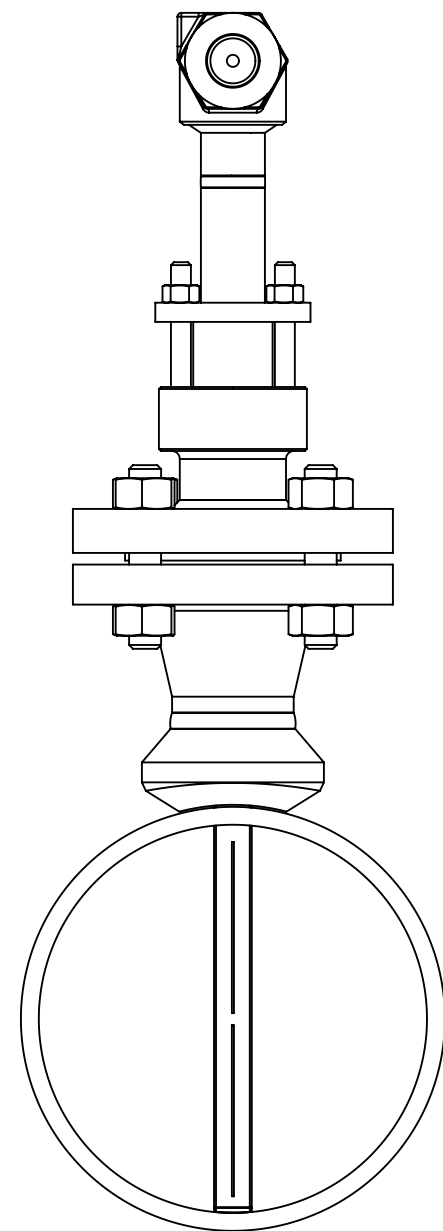
INTEGRAL MOUNT HEAD OPTION

NOTE: UNLESS OTHERWISE SPECIFIED ALL INFORMATION IS BOTH (TYP) & GENERAL TO STANDARD PRODUCT DESIGN ALL PIPE SECTIONS SHOWN FOR REFERENCE ONLY

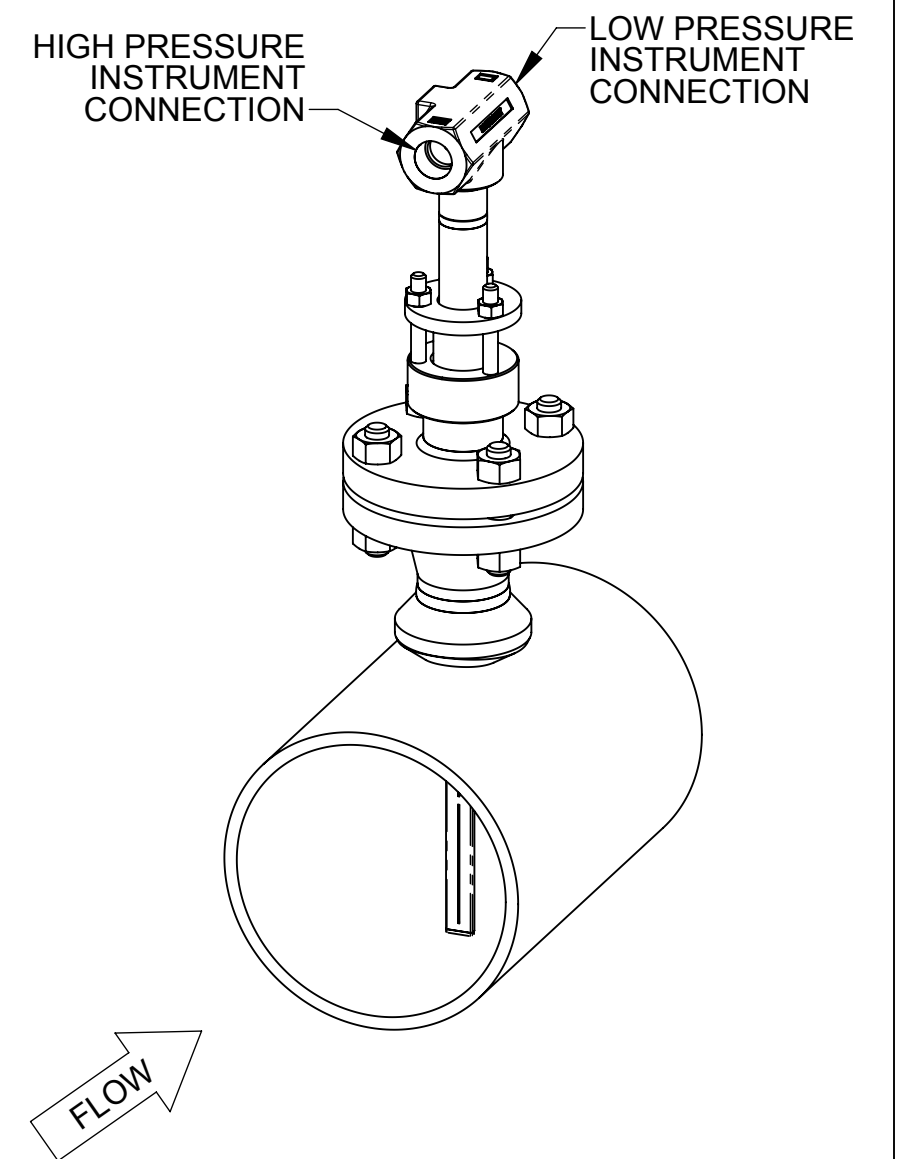
NOTICE
FOR ACCURATE FLOW MEASUREMENT THE CORRECT HOLE SIZE IN PIPE MUST BE:
3/4 INCH (19mm)
DO NOT DRILL OVERSIZE
DO NOT TORCH CUT HOLE

*UNLESS OTHERWISE SPECIFIED DIMENSIONS IN INCHES (MM)		TYPE I		ROSEMOUNT® BOULDER, COLORADO	
*ALL DIMENSIONS ARE NOMINAL AND ARE FOR REFERENCE ONLY		DR. jpaylor	11/1/05	TITLE DIMENSION DRAWING, MODEL 485 ANNUBAR FLOWMETER (3051SFA, 3051CFA 2051CFA, 3095MFA) SENSOR SIZE 1 FLANGE-LOK	
		APPROVAL		SIZE A	DRAWING NO. 00485-1018
		DRAWING D.VERHAAGEN	1/9/06	SCALE: NONE	SHEET 1 OF 3
		TAGGING			
		SPECIALS			

FLANGE-LOK SENSOR SIZE 1					
Min. Rod Reynolds	Probe Width	Flange Rating	Flange Size (NPS)	All Flange-Lok	
				ODF	ODH (MAX.)
6500	0.590 (14.99)	150# ANSI	1-1/2sch80	3.880 (98.56)	12.25 (311.2)
		300# ANSI		4.130 (104.91)	
		600# ANSI		4.440 (112.78)	
		DN/PN 16	DN40	3.090 (78.49)	
		DN/PN 40		3.210 (81.54)	
		DN/PN 100		3.880 (98.56)	
		150# RTJ	1-1/2sch80	4.060 (103.13)	
		300# RTJ		4.310 (109.48)	
600# RTJ	4.630 (117.61)				



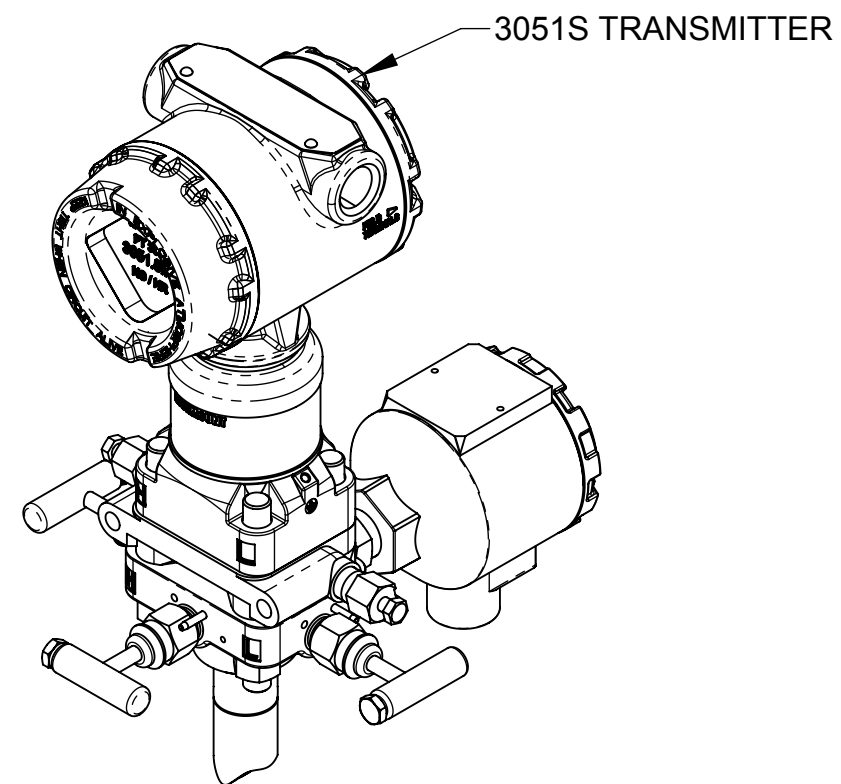
**FLANGE-LOK
HORIZONTAL FLOW
REMOTE MOUNT INSTRUMENT CONNECTIONS
(NO INSTRUMENT VALVES SHOWN)**



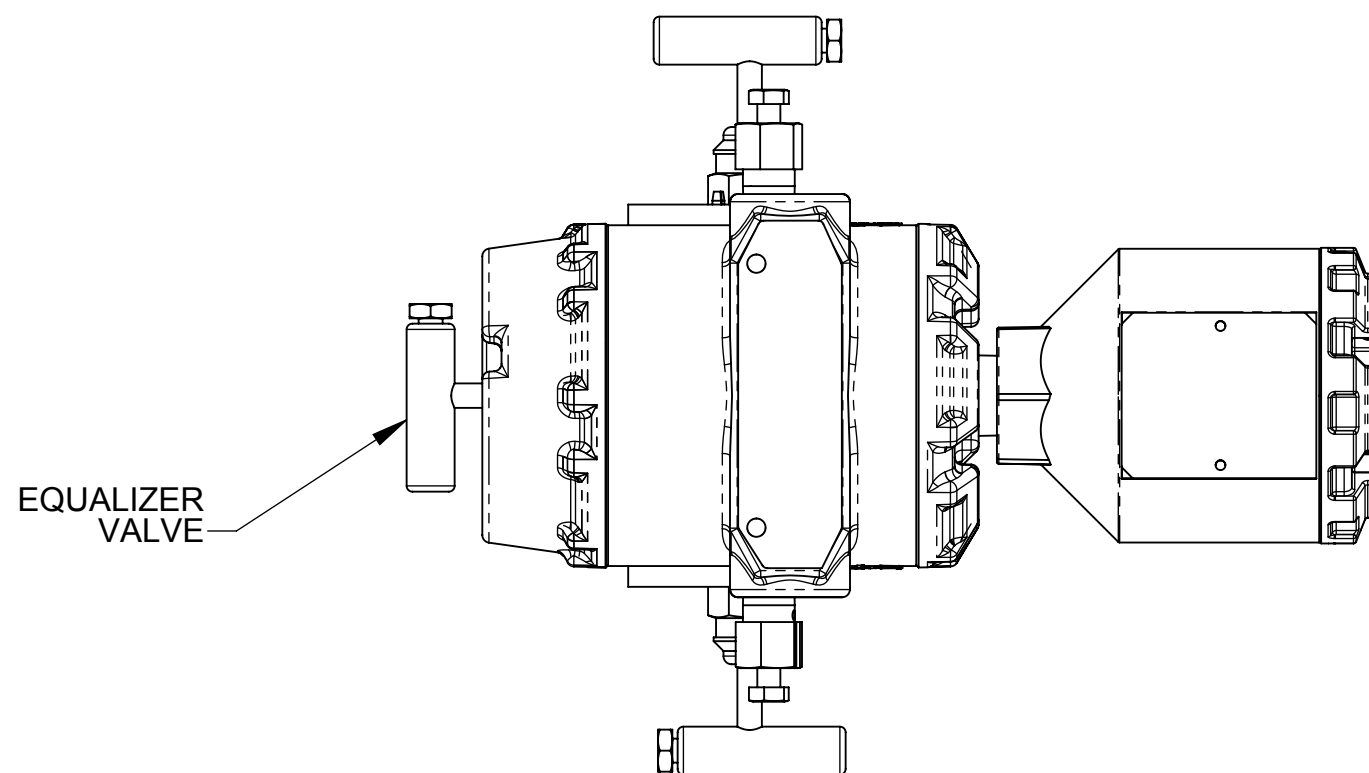
NOTES:

- ROSEMOUNT INC. CERTIFIES THIS DRAWING IS IN ACCORDANCE WITH ROSEMOUNT ENGINEERING SPECIFICATIONS AND ACCURATELY REPRESENTS THE EQUIPMENT FURNISHED.
- ALL ORIENTATIONS SHOWN FOR REFERENCE ONLY. FOR ACTUAL RECOMMENDED LOCATIONS AND ORIENTATIONS REFER TO INSTALLATION INSTRUCTION MANUAL 00809-0100-4809, QUICK INSTALLATION GUIDE (QIG) 00825-0200-4809.
- FIELD WELD. REFER TO INSTALLATION INSTRUCTIONS FOR WELD REQUIREMENTS.
- MAXIMUM PRESSURE: 600lb ANSI EQUIVALENT (1440 PSIG AT 100°F/ 9928.5Kpa g at 37.8C) FOR 316SS.
- MAX TEMPERATURE: 500°F (260 C) FOR INTEGRAL TRANSMITTER MOUNTING
850°F (454.4 C) FOR STAINLESS STEEL REMOTE TRANSMITTER MOUNTING
1250°F (676.7 C) FOR HASTELLOY REMOTE TRANSMITTER MOUNTING
- FOR MODEL SELECTIONS, REFER TO ROSEMOUNT PRODUCT DATA SHEETS.

ROSEMOUNT®			
BOULDER, COLORADO			
SIZE A	FSCM.NO.	DRAWING NO. 00485-1018	
SCALE: NONE	WT.	SHEET 2 OF 3	

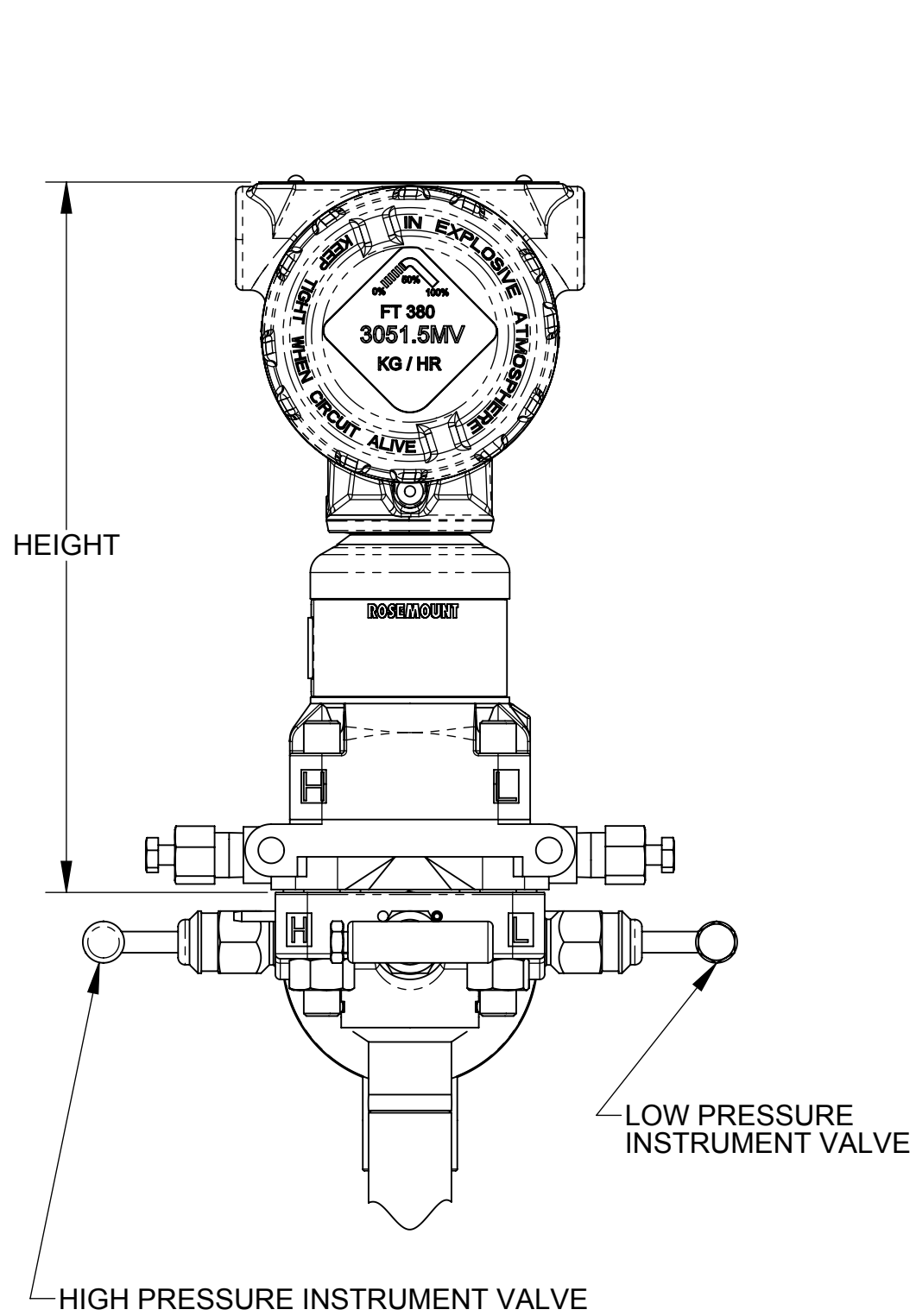


3051S TRANSMITTER

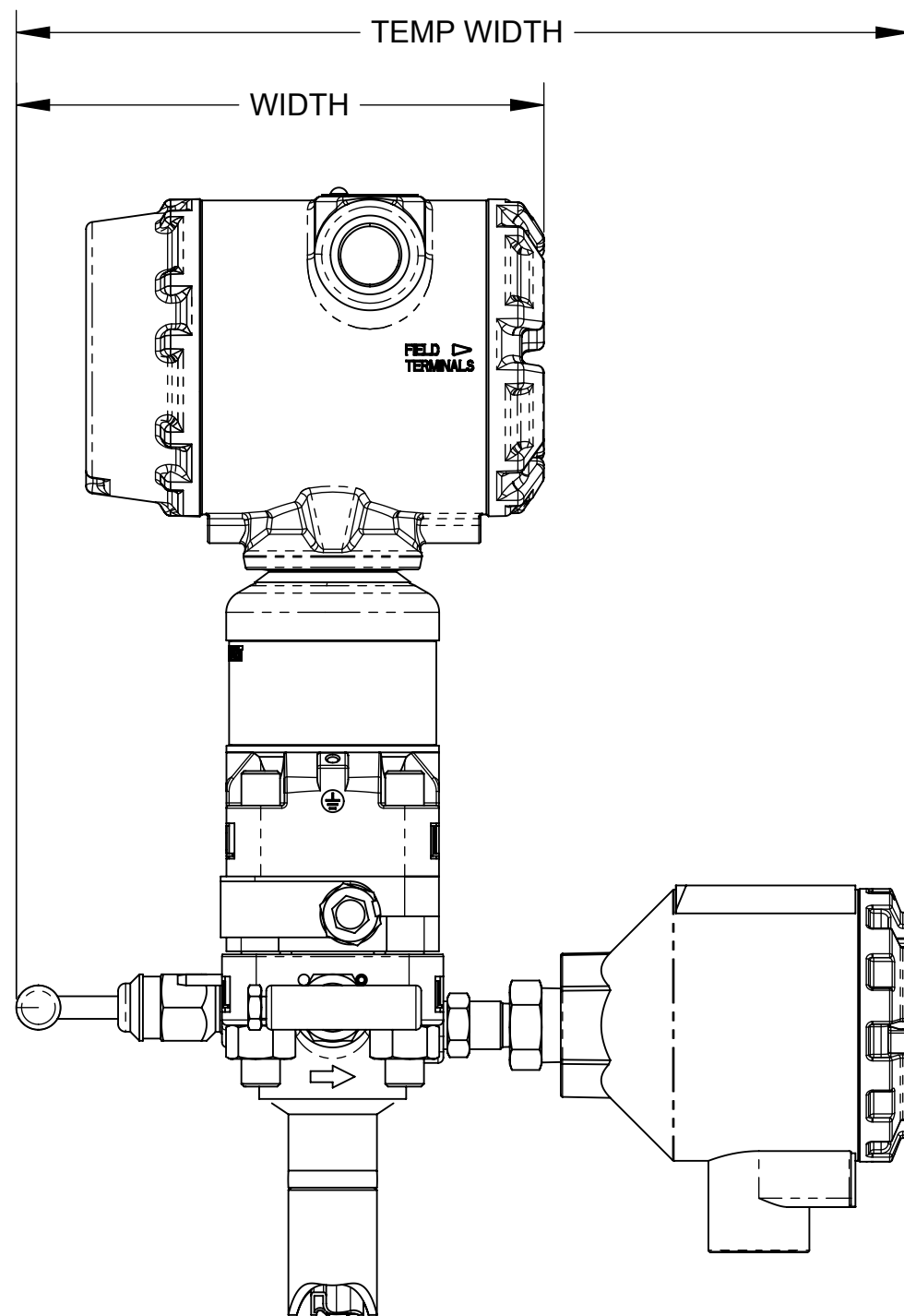


EQUALIZER VALVE

3051SFA, STD HARDWARE



3051SFA SHOWN



FLOWMETER	HEIGHT	WIDTH	TEMP WIDTH
2051CFA	7.03 [178,5]	5.50 [139,7]	10.09 [256,3]
3051CFA	7.1 (181)	5.67 [144,0]	
3051SFA	8.53 (216.7)	5.67 [144,0]	
3095MFA	7.1 (181)	5.67 [144,0]	

ROSEMOUNT®
BOULDER, COLORADO

SIZE A	FSCM.NO.	DRAWING NO. 00485-1018
SCALE: NONE WT.		SHEET 3 OF 3