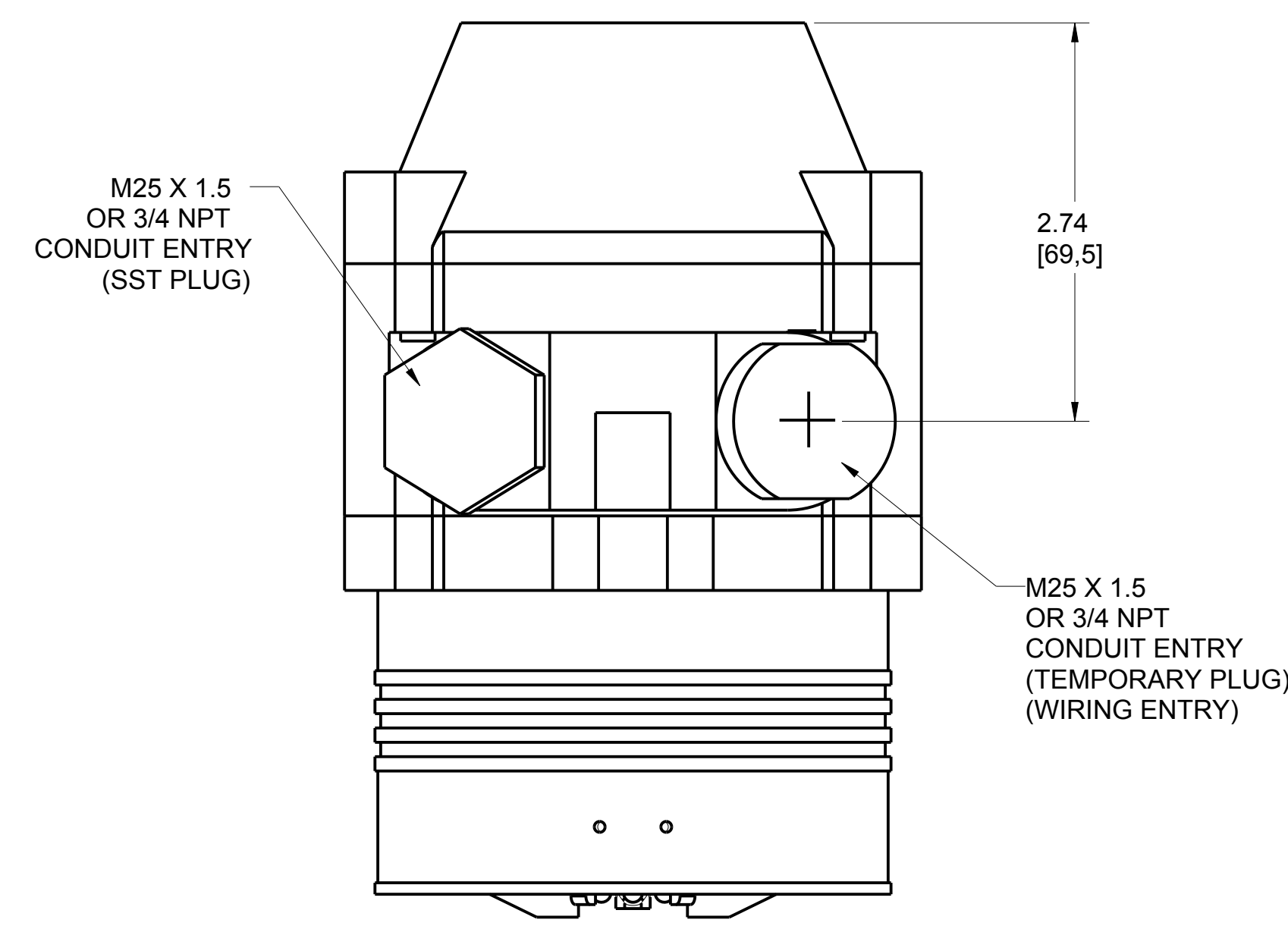
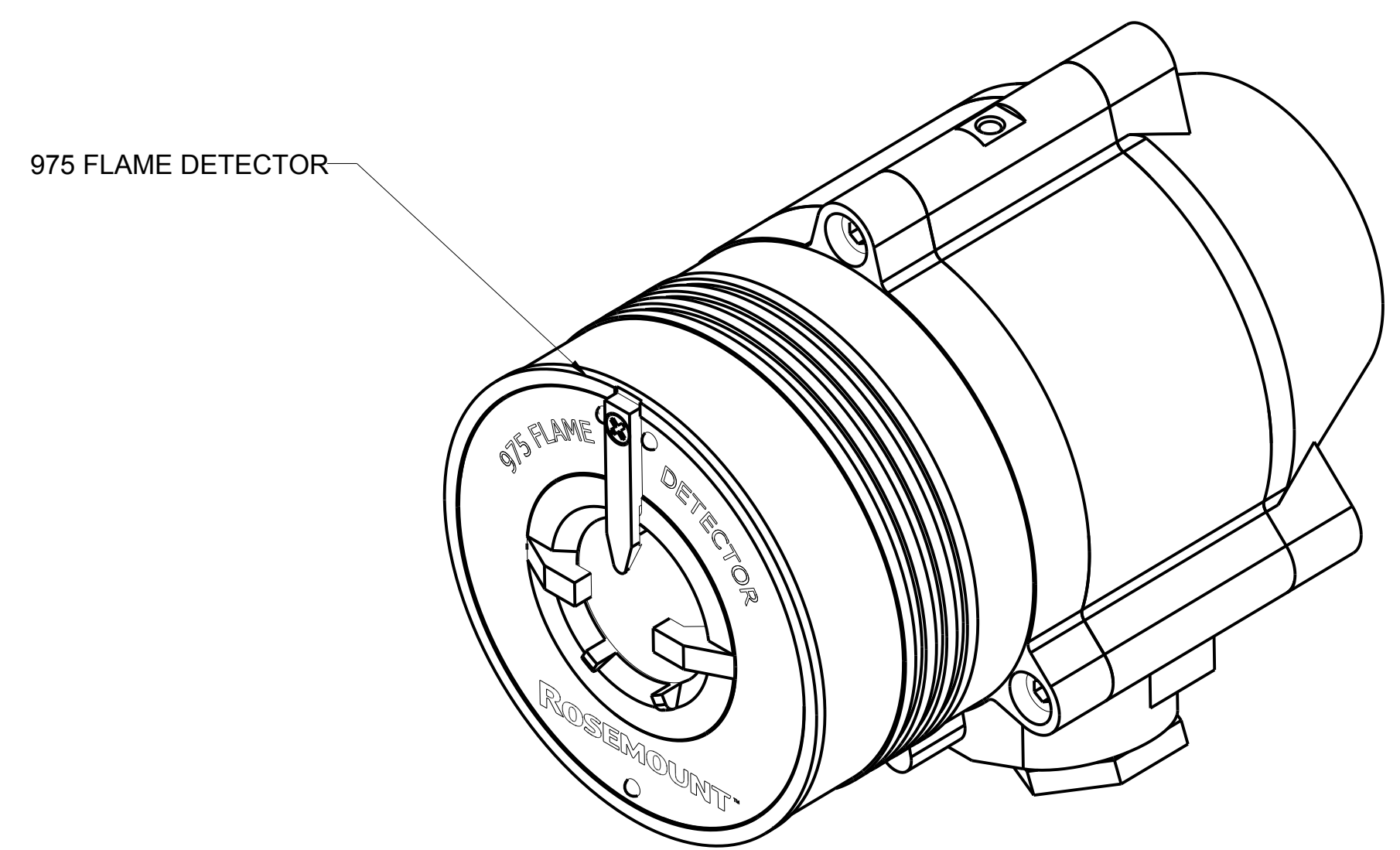
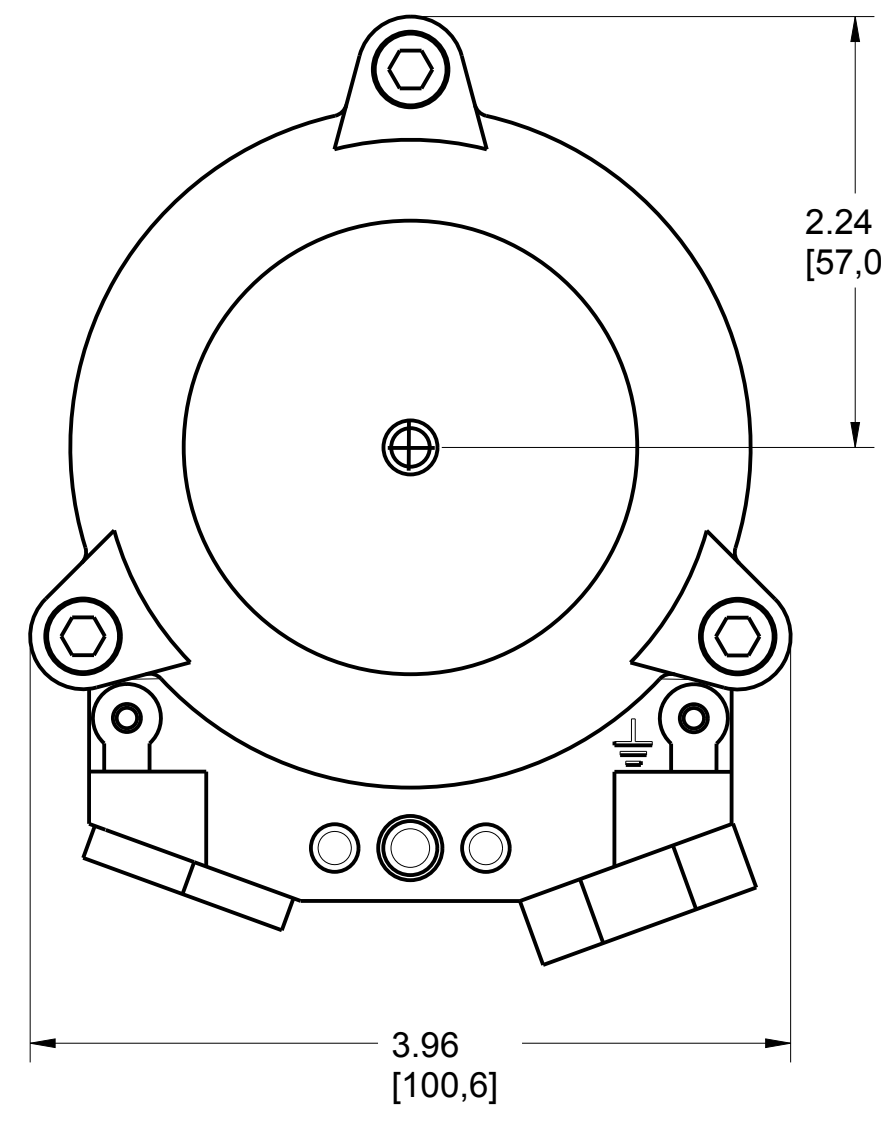
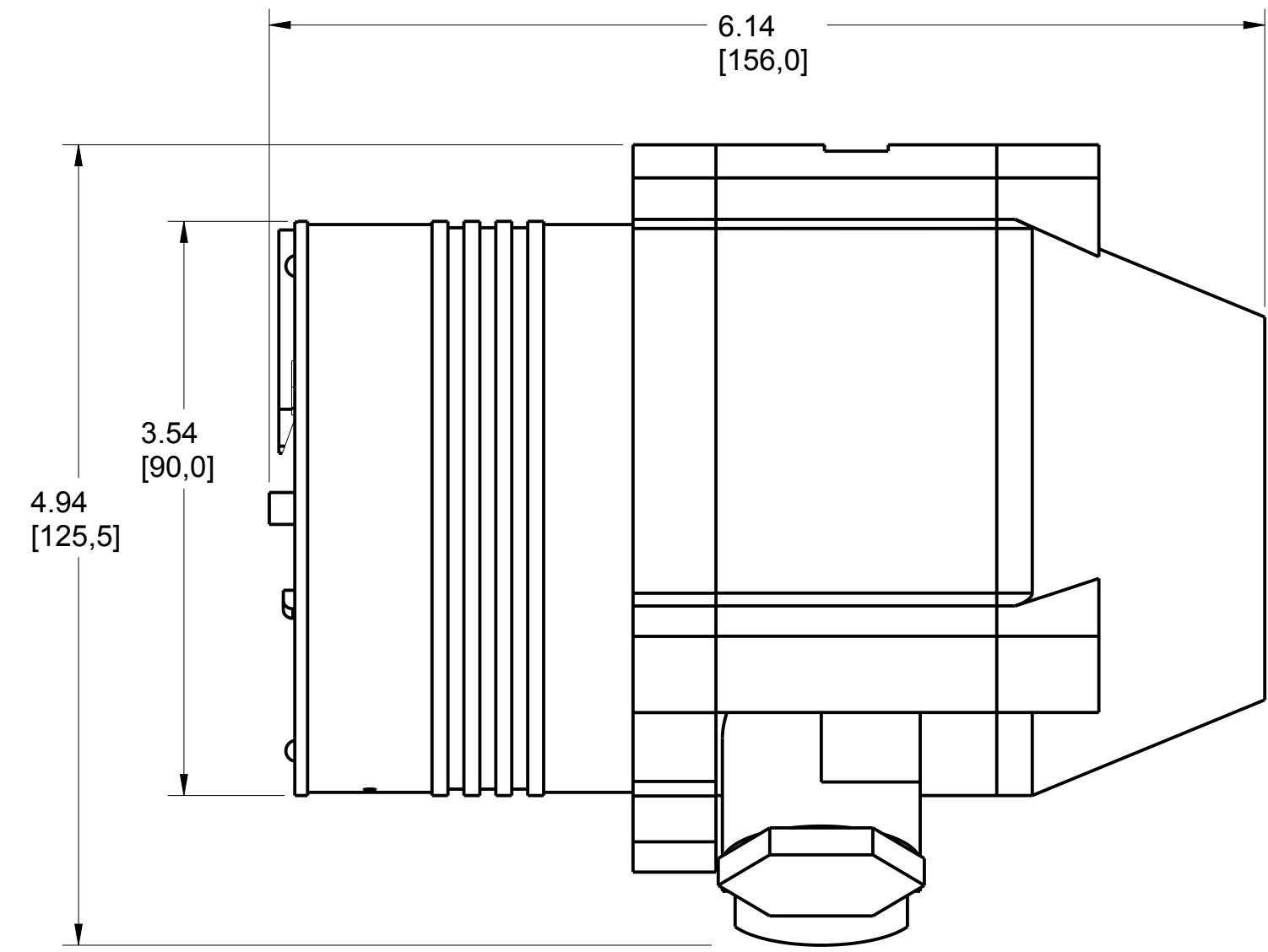


MODEL 975 FLAME DETECTOR

REVISION TABLE			
REVISION	ECO NO.	APP'D	DATE
AA	RTCXXXXXX	M. NYLAND	11/8/16
DESCRIPTION			
NEW RELEASE			



©2015 ROSEMOUNT INC.
ROSEMOUNT INC. CERTIFIES
THIS DRAWING TO BE IN
ACCORDANCE WITH
ROSEMOUNT ENGINEERING
SPECIFICATIONS.
UNIT NOTES IN INCHES (mm).

REFERENCE ROSEMOUNT
PRODUCT SPECIFICATIONS.
CLICK HERE

3RD ANGLE

EMERSON

**ROSEMOUNT 975 FLAME DETECTOR
TYPE I DRAWING**

DR. J. ARMSTRONG | 10/21/016 | DRAWING NO. | 00975-7001
APP'D M. NYLAND | 10/21/16

CAD MAINTAINED, (PROE) | SHEET 1 OF 1