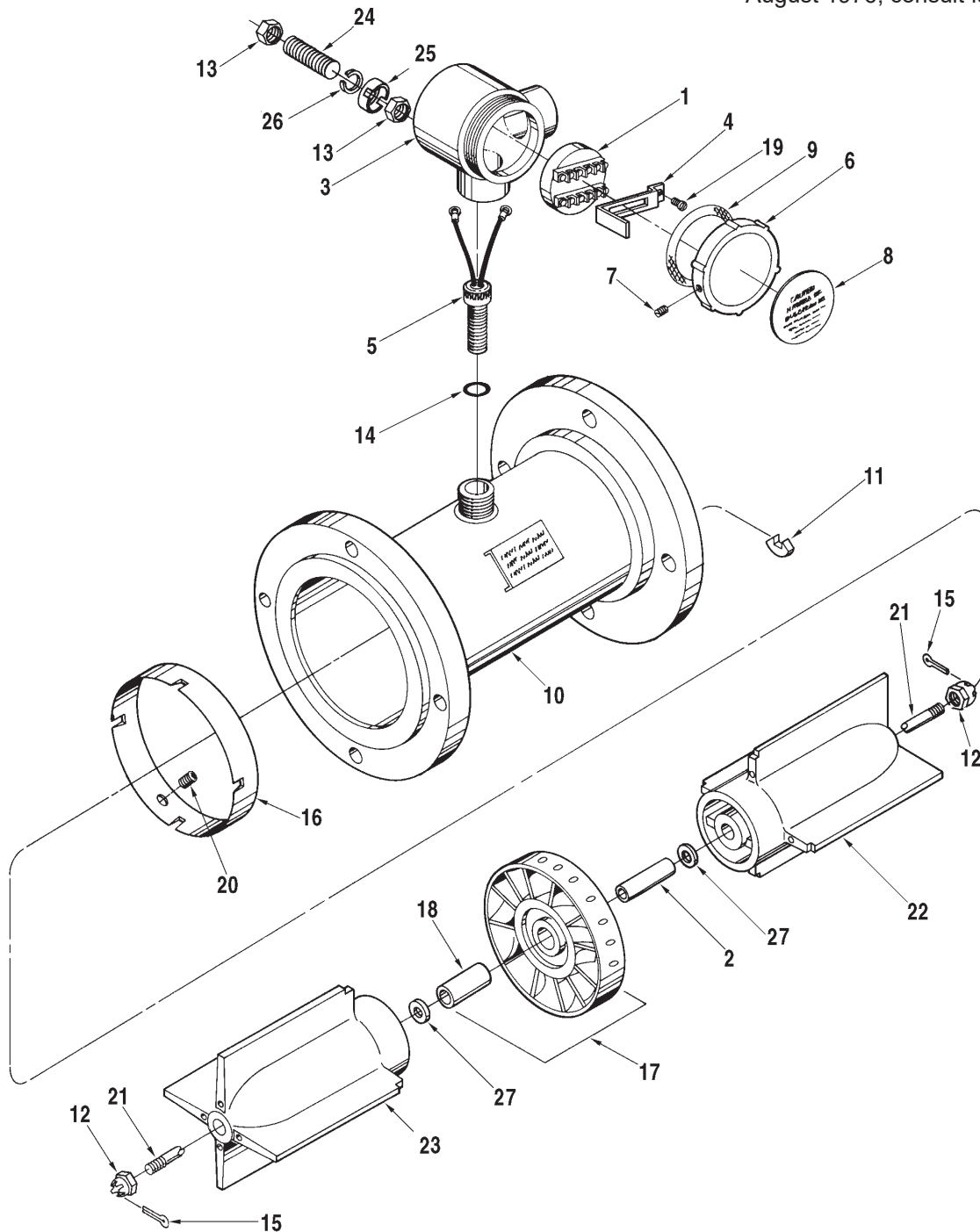


Meter, Turbine, 8 Inch, Sentry Series, Model K2DH, K2DT

Bulletin PO02016 Issue/Rev. 0.0 (09/13)

For meters manufactured prior to August 1976, consult factory.



Item	Description	Qty.	Part Number
1	+ Preamplifier:		
	PA-2, 12 Vdc, Dual-Channel.....	#	212012-101
	PA-4, 12 or 24 Vdc, Single-Channel.....	#	230662-101
	PA-6, 12 to 24 Vdc.....	#	230663-101
2	+ Bearing, Platform:		
	Standard.....	1	541454-213
3	Box, Conduit.....	#	543256-200
4	Clip, Retaining.....	1	543192-203
5	Coil, Pickup:		
	-100°F to 225°F.....	#	644327-401
	-100°F to 400°F.....	#	641512-401
	Mating Connector with Leads.....	#	540244-101
6	Cover, Conduit Box:		
	UL/CSA.....	#	543196-100
	BASEEFA (Manufactured in U.S.A.).....	#	544057-101
	BASEEFA (Manufactured in Germany).....	#	544057-102
7	Screw, Set, #6-32 x 1/4".....	2	643243-403
8	Label:		
	UL/CSA.....	1	543195-200
	BASEEFA:		
	Manufactured in U.S.A.....	1	544056-201
	Manufactured in Germany.....	1	544056-202
9	+ Gasket, Cover.....	1	013403-200
10	@1 Housing.....	1	See Note 2
11	Key, Stator:		
	For Aluminum Stators.....	1	542821-203
	For Stainless Steel Stators.....	1	544115-201
12	+ Nut, Castle, #10-32, UNF-2B.....	2	643729-401
13	Nut, 1/4"-20, UNC-2B.....	2	060060-001
14	O-Ring.....	#	641069-474
15	Pin, Cotter, 1/16 x 1-1/4".....	2	645457-402
16	Ring, Deflector (Stainless Steel):		
	Unidirectional.....	1	541685-213
	Bidirectional.....	2	543054-213
17	+ Rotor Assembly:		
	Standard (525 pulses/bbl).....	1	544442-193
	@2 High Resolution (1,050 pulses/bbl).....	1	544442-194
18	Bearing, Rotor.....	1	541455-213
19	Screw, #10-32 x 1/4".....	1	009544-401
20	Screw, Set, #1/2-20 x 1/4" (Two per Deflector Ring).....	#	645690-402
21	Shaft, Rotor.....	1	544129-201
22	Stator, Downstream.....	1	542373-212
23	Stator, Upstream		
	Unidirectional and Bidirectional.....	1	542373-212
24	Stud (BASEEFA Version Only).....	1	550773-001
25	Washer, Inverted (BASEEFA Version Only).....	1	550770-001
26	Washer, 1/4" Lock (BASEEFA Version Only).....	1	006621-001
27	+ Washer, Thrust.....	2	543851-213
Internal Parts Kits			
	Unidirectional, Standard Resolution.....		544608-103
	Bidirectional, Standard Resolution.....		544608-104
	@2 Unidirectional, High Resolution (1,050 pulses/bbl).....		544608-123
	@2 Bidirectional, High Resolution (1,050 pulses/bbl).....		544608-124

- + Recommended stock.
- # Order quantity required.
- R Indicates change since last revision.

@1 Note 1: Consult Parts Operation, providing the following information:

- | | |
|----------------------------|---|
| 1. Uni or Bidirectional | 5. Flange Type |
| 2. Housing Material | 6. Number of Pickup Coil Bosses |
| 3. Flange Material | 7. Standard or High Resolution Rotor Assembly |
| 4. Flange Class (Pressure) | |

@2 Note 2: Due to an engineering enhancement, when replacing a high resolution rotor assembly or internal parts kit in a meter manufactured prior to July of 1990 (Date Code KG), it may be necessary to replace the housing also to achieve proper repeatability. Contact the Parts Operation with any questions.

P0589.07X has been made obsolete and replaced by publication number PO02016 (September 2013).

The specifications contained herein are subject to change without notice and any user of said specifications should verify from the manufacturer that the specifications are currently in effect. Otherwise, the manufacturer assumes no responsibility for the use of specifications which may have been changed and are no longer in effect.

TechnipFMC.com

© TechnipFMC plc. 2020 All rights reserved. PO02016 rev. 0.0 (09/13)

TechnipFMC
13460 Lockwood Road
Building S01
Houston, Texas 77044 USA
P:+1 281.591.4000

USA Operation
1602 Wagner Avenue
Erie, Pennsylvania 16510 USA
P:+1 814.898.5000

Germany Operation
Smith Meter GmbH
Regentstrasse 1
25474 Ellerbek, Germany
P:+49 4101 304.0