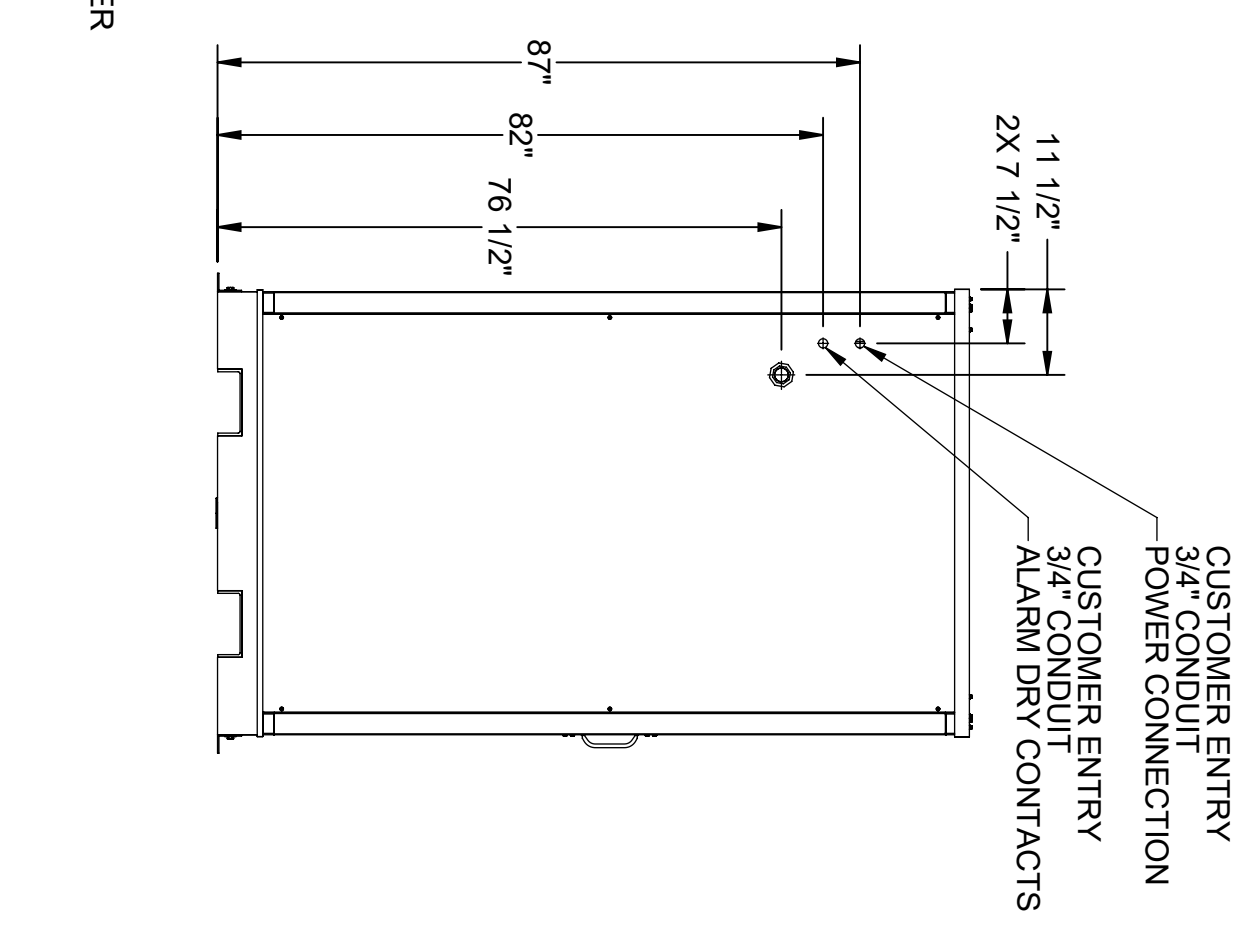
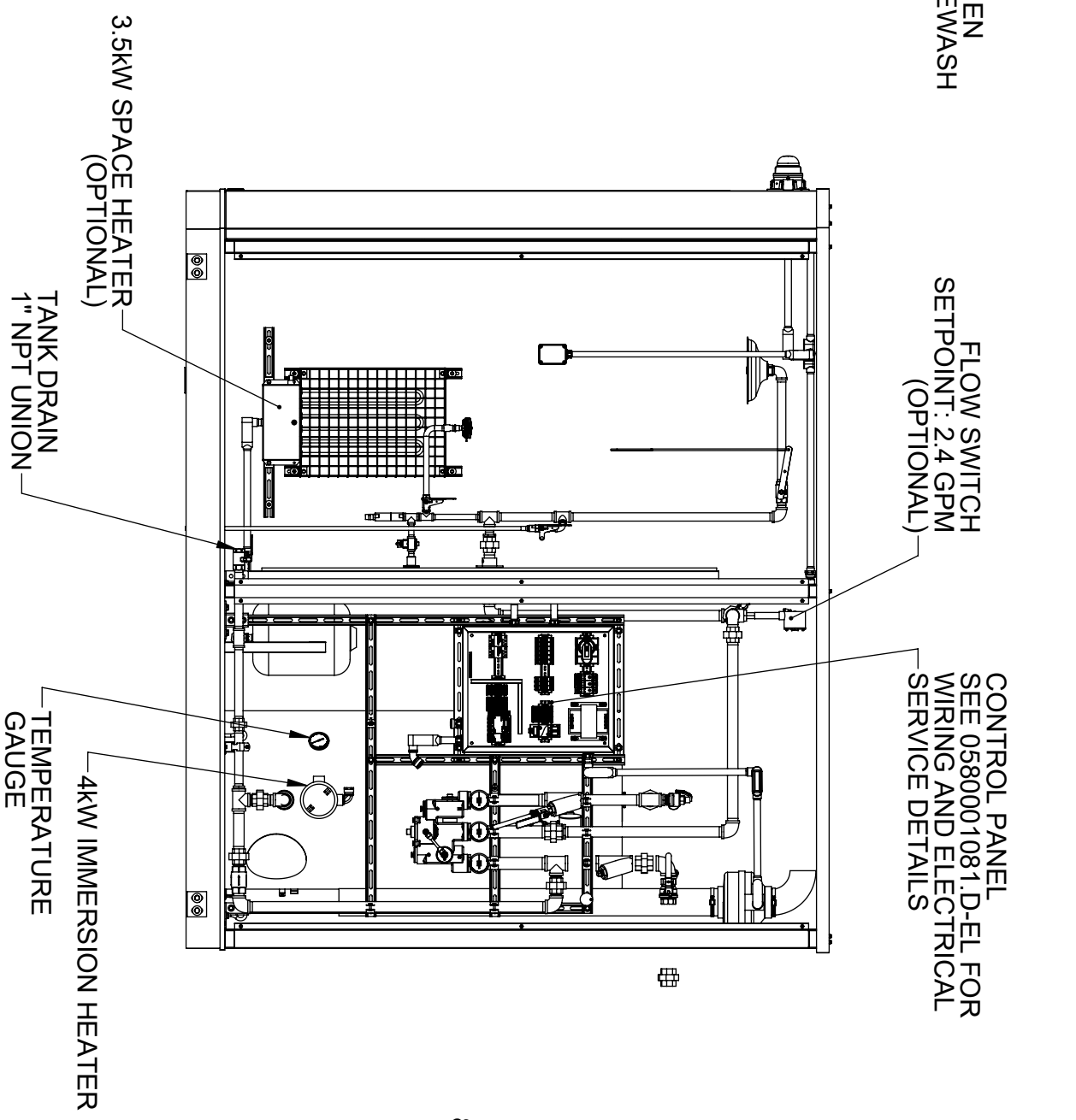
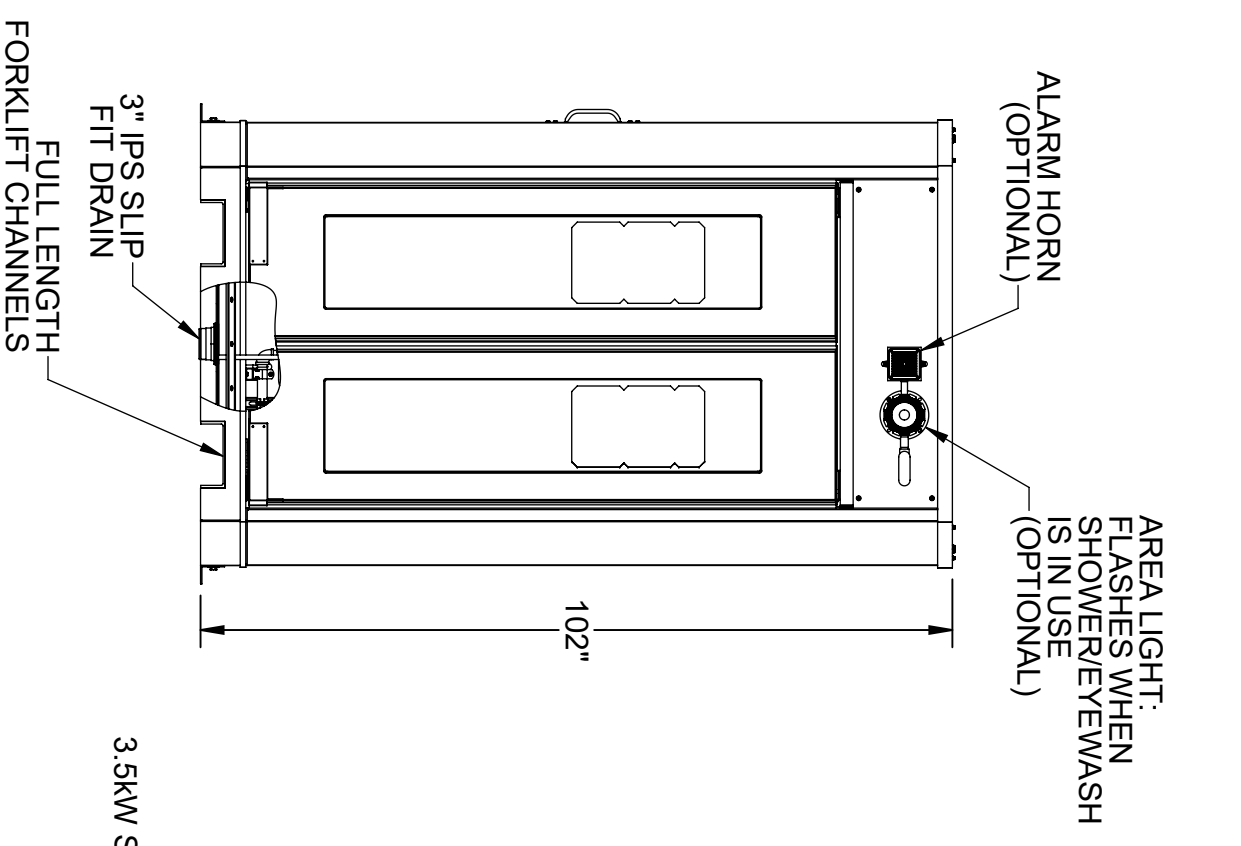
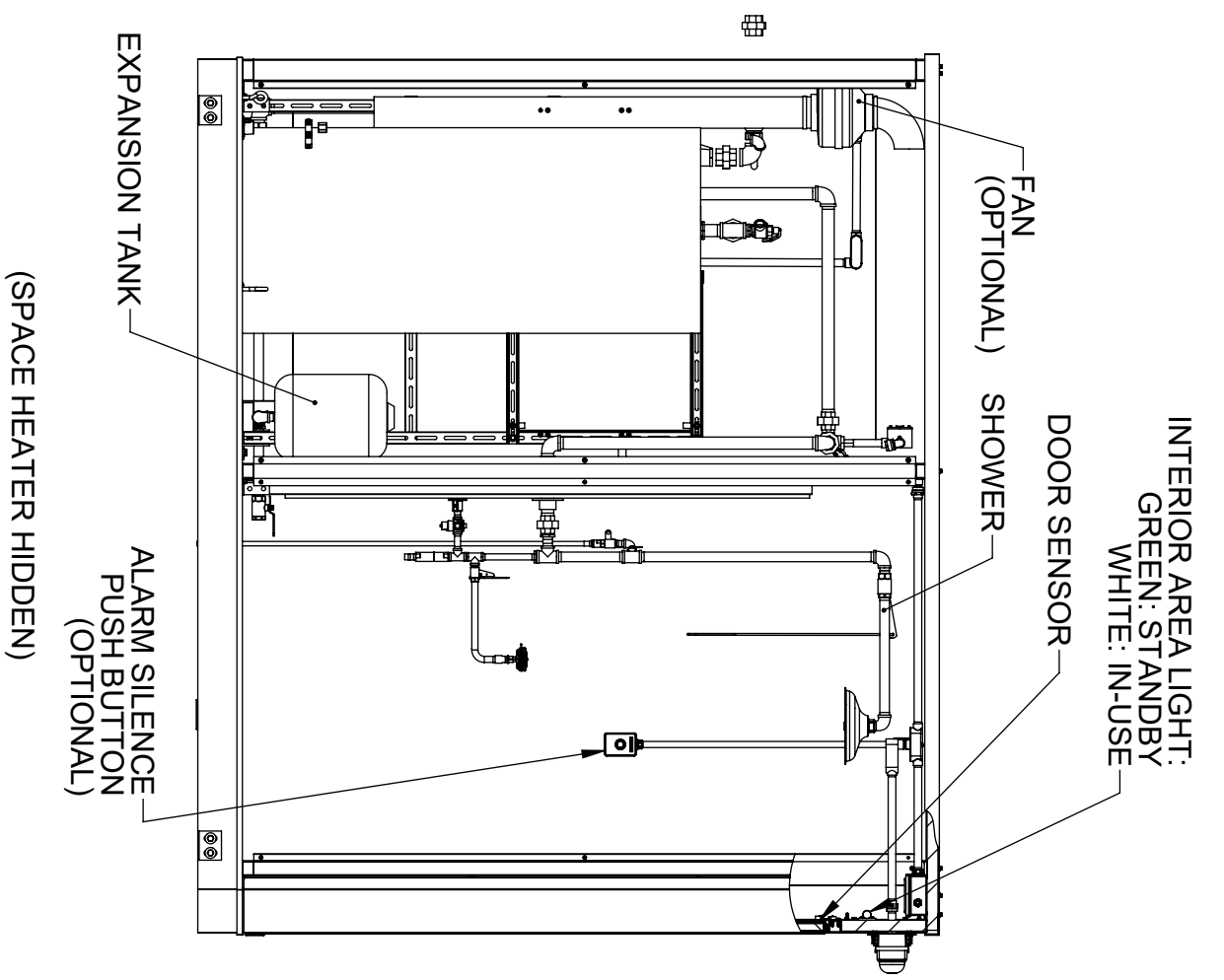
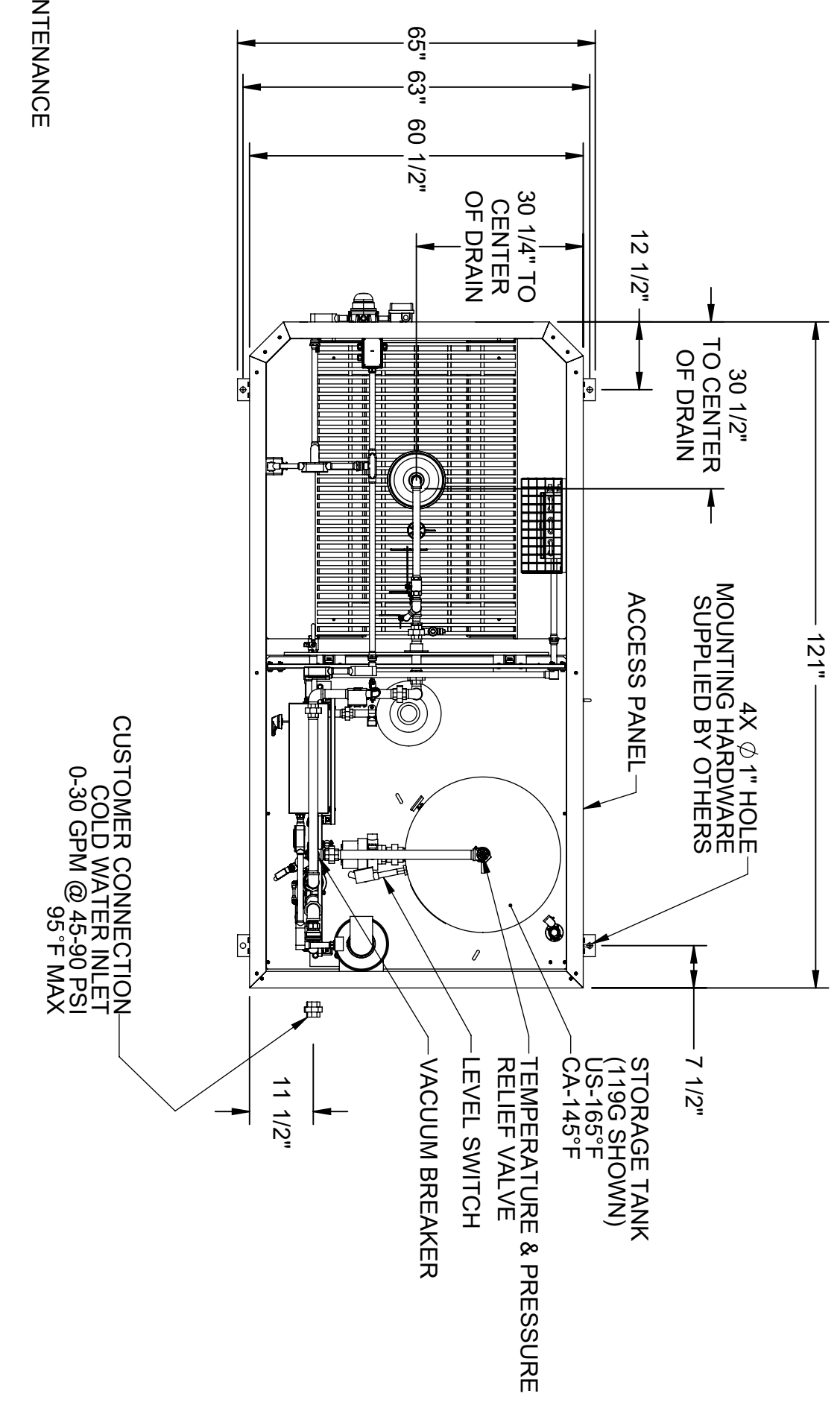
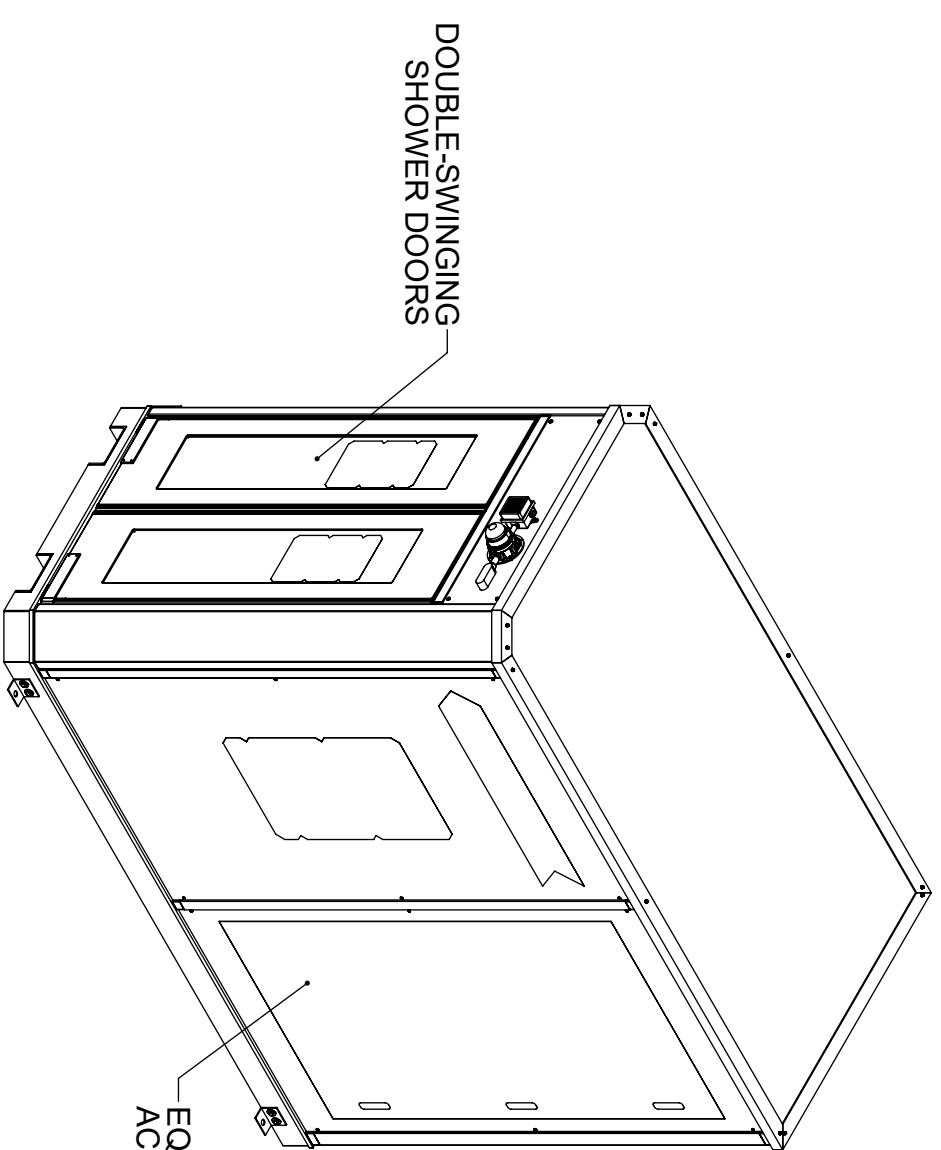


REVISIONS		ECN	DATE	BY
1	DESCRIPTION INITIAL RELEASE	5589	9/16/20	IR
2	PER ECO	5624	11/19/2021	IR

- NOTES:
1. DIMENSIONS IN INCHES
 2. ALL TOLERANCES: ± 1/2"
 3. ESTIMATED WEIGHT (119G TANK):
DRY: 3250 LBS
WET: 6700 LBS
 4. AREA CLASSIFICATION: ORDINARY
 5. AVAILABLE AMBIENT TEMPERATURE RANGES:
-50°F - 104°F, -30°F - 104°F, 32°F - 104°F, 32°F - 120°F
 6. RATINGS: - CONFIGURABLE WITH TYPE 4/4X JUNCTION BOX FOR INDOOR OR OUTDOOR LOCATION
 7. NOT ALL FEATURES ARE STANDARD
 - 8.



PANELS REMOVED FOR CLARITY

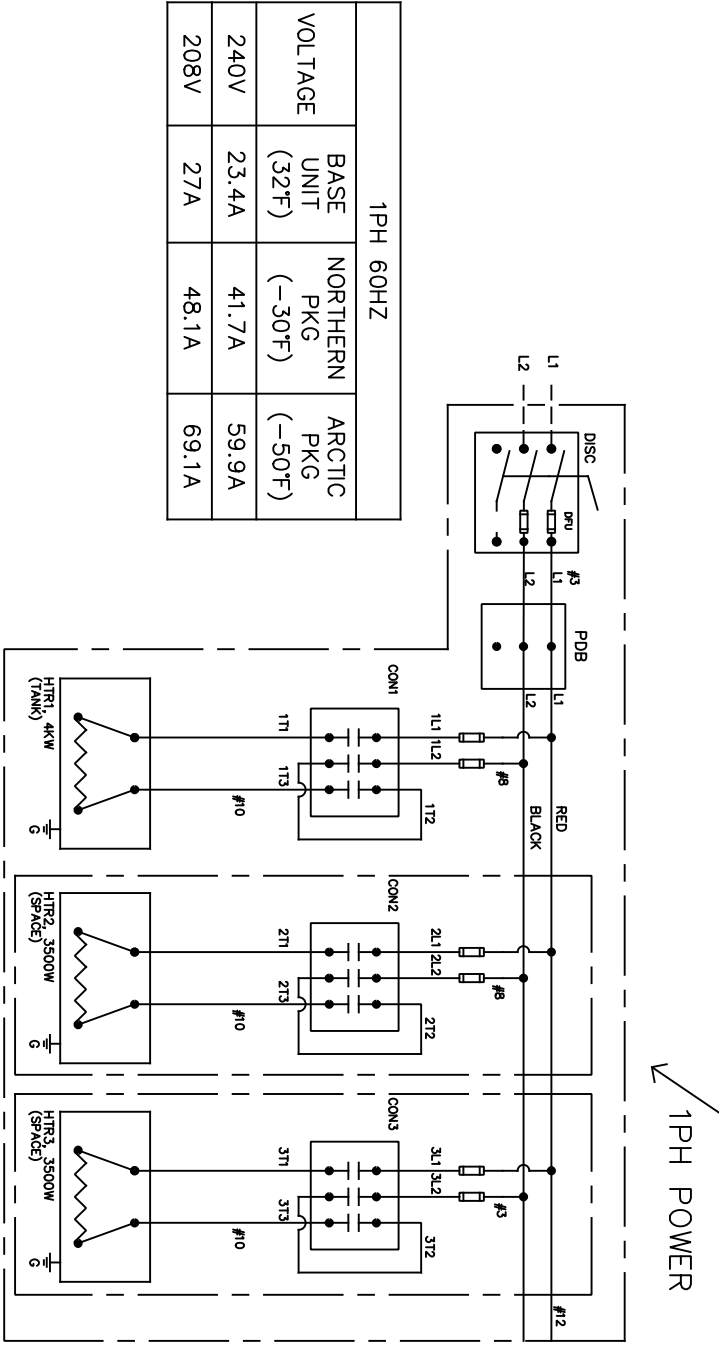
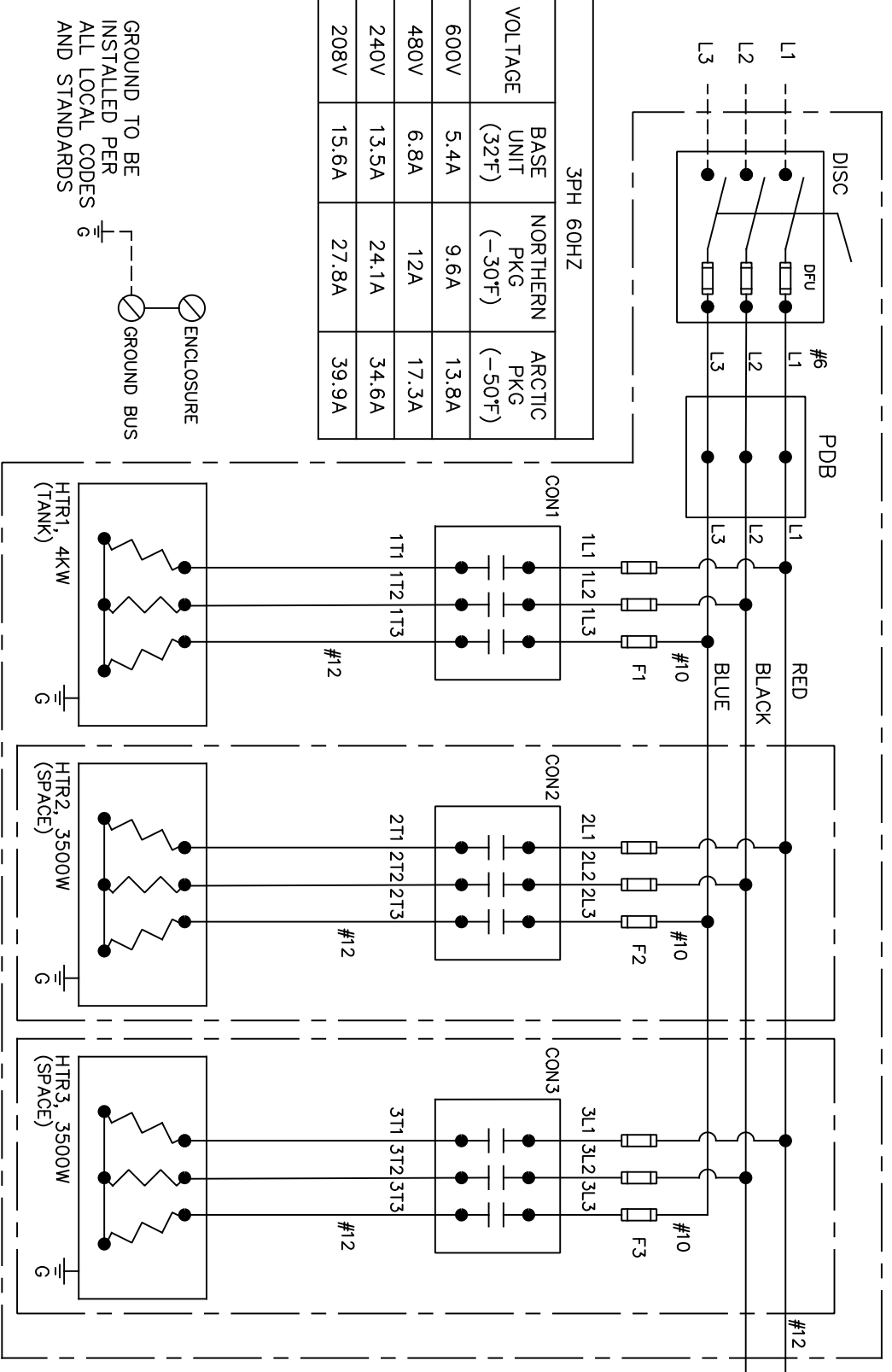
THE ATTACHED DESIGNS ARE CONSIDERED TRADE SECRETS AND POTENTIALLY PATENTABLE. IN ACCORDANCE WITH CONFIDENTIALITY AND NON-DISCLOSURE AGREEMENT, THESE DESIGNS IN ACTUAL OR CONCEPTUAL FORMS CANNOT BE DISCLOSED, REPRODUCED OR USED WITHOUT HAWS EXPRESS WRITTEN CONSENT.

CUSTOMER INFO/TAGS#		TITLE	
JOB NUMBER:	DP	OUTDOOR TEMPERED SHOWER AND EYEFACE WASH SYSTEM	
DRAWN BY:	07/14/21	NOTICE OF PROPRIETARY INFORMATION THIRD ANGLE PROJECTION	
DRAWN DATE:	AM	INFORMATION CONTAINED HEREIN IS THE SOLE PROPERTY OF HAWES CORPORATION. IT IS UNLAWFUL TO REPRODUCE, DISSEMINATE, OR IN ANY MANNER TO AVOID THE NOTICE OF PROPRIETARY INFORMATION.	
CHECKED BY:	11/23/21	SCALE:	1:32
CHECKED DATE:	IR	PART NO:	0580001081.D-GA
APPROVED BY:	11/30/21	REV:	2
APPROVAL DATE:			



REV	DESCRIPTION	DATE	BY
2	PERECCO	5/24/20	IR
1			

FUSE CHART									
VOLTAGE	AMP	F1	F2	F3	PFU	CFU			
208V 1PH	60A	100A	25A	25A	6A	5.6A			
240V 1PH	60A	25A	20A	20A	5.6A	5.6A			
208V 3PH	30A	60A	15A	15A	6A	5.6A			
240V 3PH	30A	60A	12A	12A	5.6A	5.6A			
480V 3PH	30A	60A	6A	6A	2.8A	5.6A			
600V 3PH	30A	30A	5A	5A	2A	5.6A			
FUSE TYPE	JKS	JKS	KLKR	KLKR	KLDR	KLDR			

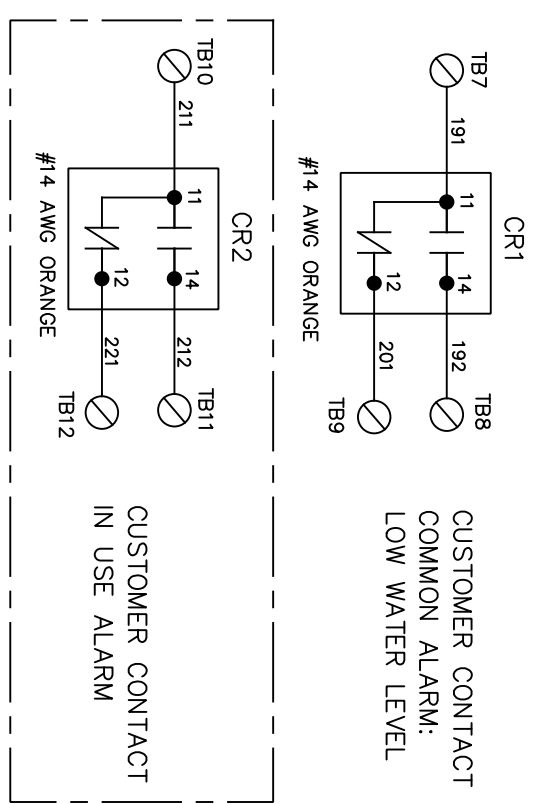


CONDUCTOR TERMINAL RATING				
DISCONNECT SIZE	CONDUCTOR SIZE (AWG)	TORQUE VALUE (IN-LBS)	CONDUCTOR SIZE (AWG)	TORQUE VALUE (IN-LBS)
100A	14-2/0	133-194	14-20	PUSH-IN
60A	14-4	30-35		
30A	18-8	13-18		

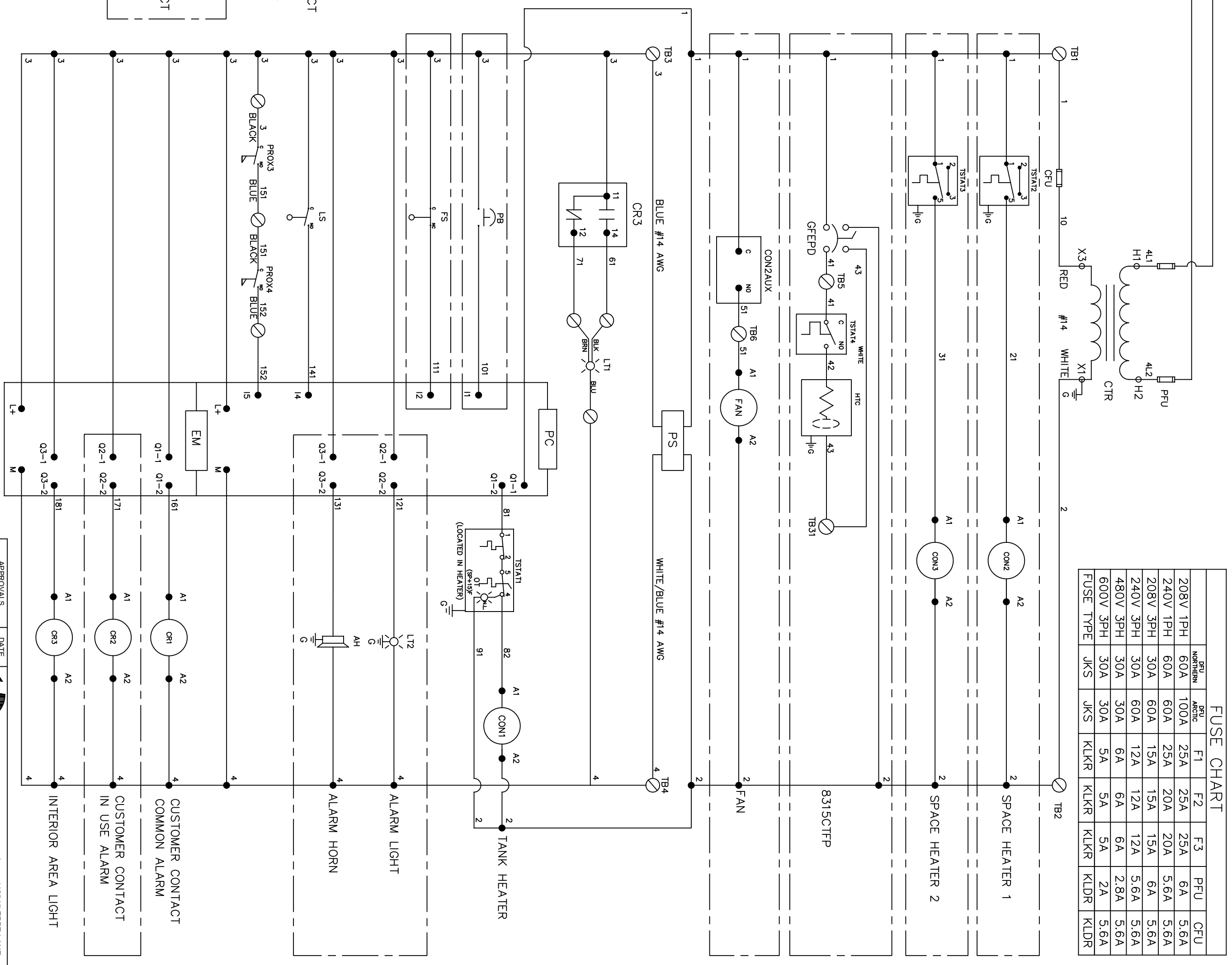
COMPONENT DESIGNATION

- AH - ALARM HORN
- CFU - TRANSFORMER CONTROL FUSE
- CON1 - CONTACTOR 3 POLE, TANK HEATER
- CON2 - CONTACTOR 3 POLE, SPACE HEATER
- CON3 - CONTACTOR 3 POLE, SPACE HEATER
- CON2AUX - CONTACTOR AUXILIARY CONTACTS (FAN, INTERNAL)
- CR - CONTROL RELAY
- CTR - CONTROL POWER TRANSFORMER - 500VA @ 120V
- DISC - DISCONNECT SWITCH
- EM - EXPANSION MODULE
- F1 - TANK HEATER FUSE
- F2 - SPACE HEATER FUSE
- F3 - SPACE HEATER FUSE
- FAN - FAN (FACTORY CONFIGURABLE - INTERNAL OR VENT)
- FS - FLOW SWITCH
- GFPD - GROUND-FAULT ELECTRICAL PROTECTION DEVICE
- HTC - HEAT TRACE
- HTR1 - HEATER, TANK, 4KW
- HTR2 - HEATER, SPACE, 3.5KW
- HTR3 - HEATER, SPACE, 3.5KW
- L1 - LEVEL SWITCH
- L11 - INSIDE AREA LIGHT GREEN/WHITE
- L12 - OUTSIDE AREA LIGHT/ALARM LIGHT
- PC - PROGRAMMABLE CONTROLLER
- PDB - POWER DISTRIBUTION BLOCK
- PFU - TRANSFORMER PRIMARY FUSE
- PROX 3/4 - DOOR PROXIMITY SWITCH
- TB - TERMINAL BLOCK
- TSTAI1 - TANK HEATER THERMOSTAT
- TSTAI2 - SPACE HEATER THERMOSTAT
- TSTAI3 - SPACE HEATER THERMOSTAT
- TSTAI4 - HEAT TRACE THERMOSTAT

CONTROL RELAY CONTACT RATINGS:
6A @ 250 VAC/30VDC RESISTIVE
SWITCH POSITION SHOWN FOR ALARM CONDITION



- NOTES:
- AREA CLASSIFICATION: ORDINARY
 - AVAILABLE AMBIENT TEMPERATURE RANGES: -50°F - 104°F, -30°F - 104°F, 32°F - 104°F, 32°F - 120°F
 - RATINGS: CONFIGURABLE WITH TYPE 4/4X JUNCTION BOX FOR INDOOR OR OUTDOOR LOCATION



THE ATTACHED DESIGNS ARE CONSIDERED TRADE SECRETS AND POTENTIALLY PATENTABLE. IN ACCORDANCE WITH CONFIDENTIALITY AND NON-DISCLOSURE AGREEMENT, THESE DESIGNS IN ACTUAL OR CONCEPTUAL FORMS CANNOT BE DISCLOSED, REPRODUCED OR USED WITHOUT HAWS' EXPRESS WRITTEN CONSENT.

APPROVALS	DATE	TITLE
DRAWN IR	08/18/20	8710 - OUTDOOR TEMPERED SHOWER AND EYE/FACE WASH SYSTEM
CHECKED AM	11/23/21	
APPROVED IR	11/23/21	
JOB NUMBER	119021	

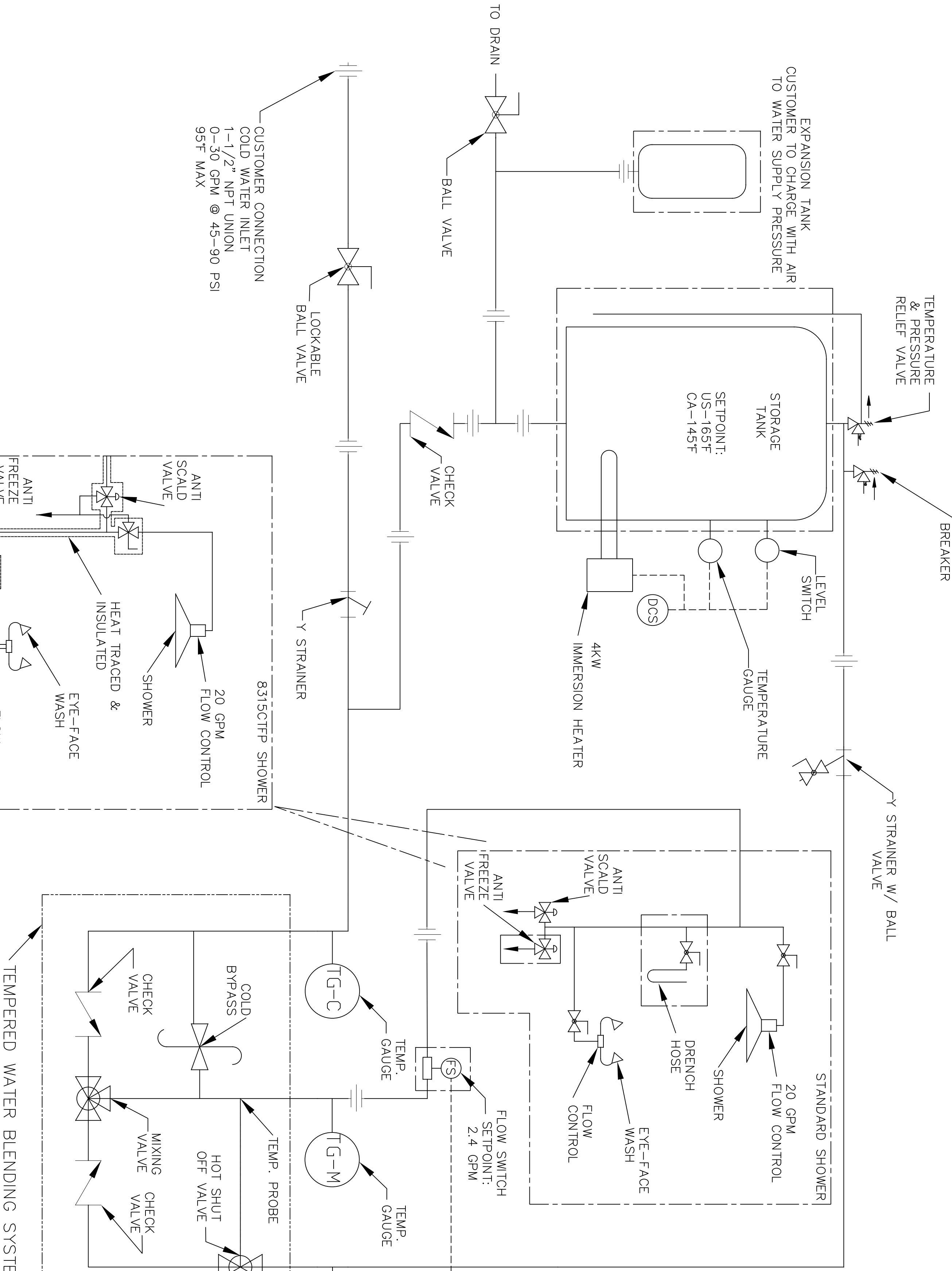
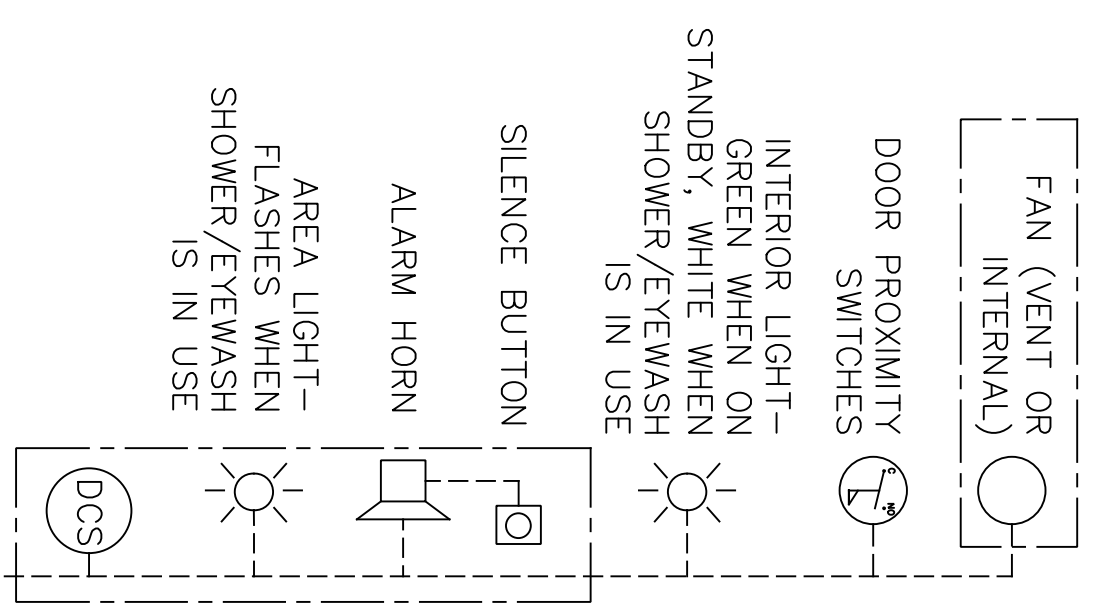
CUSTOMER INFO TAG #:

THIRD ANGLE PROJECTION

SCALE: SIZE PART NUMBER 0580001081.D-EL

1 C 2

REV	DESCRIPTION	ENR	DATE	BY
2	PER ECO	5024	01/17/21	IR



- NOTES:
1. AREA CLASSIFICATION: ORDINARY
 2. AVAILABLE AMBIENT TEMPERATURE RANGES: -50°F - 104°F, -20°F - 104°F, 32°F - 104°F, 32°F - 120°F
 3. RATINGS: CONFIGURABLE WITH TYPE 4/4X JUNCTION BOX FOR INDOOR OR OUTDOOR LOCATION

OPTIONAL FEATURE THAT CAN BE CONFIGURED WHEN PURCHASED

THE ATTACHED DESIGNS ARE CONSIDERED TRADE SECRETS AND POTENTIALLY PATENTABLE. IN ACCORDANCE WITH CONFIDENTIALITY AND NON-DISCLOSURE AGREEMENT, THESE DESIGNS IN ACTUAL OR CONCEPTUAL FORMS CANNOT BE DISCLOSED, REPRODUCED OR USED WITHOUT HAWS' EXPRESS WRITTEN CONSENT.

APPROVALS	DATE
DRAWN IR	08/18/20
CHECKED AM	11/23/21
APPROVED	
JOB NUMBER	11/20/21



1455 KLEPPE LANE
SPARKS, NEVADA, 89431
USA

CUSTOMER INFO TAG #:
TITLE: 8710 - OUTDOOR TEMPERED SHOWER AND EYE/FACE WASH SYSTEM
SCALE: SIZE PART NUMBER: 0560001081.D-PID

NOTICE OF PROPRIETARY INFORMATION: THIS DOCUMENT IS THE PROPERTY OF HAWS CORPORATION AND THE DATA DISCLOSED HEREIN OR HEREWITH IS NOT TO BE REPRODUCED, USED, OR DISCLOSED TO ANY OTHER PARTY WITHOUT THE WRITTEN PERMISSION OF HAWS CORPORATION.

SH	1
REV	2