

# Rosemount® 8750W Magnetic Flowmeter System

for Utility, Water, and Wastewater Applications





- Best in class value with performance, reliability, and diagnostics suited for monitoring applications
- Reliable all welded coil housing and lightweight sensor design rated to IP68
- Available in 4–20mA with HART®, Modbus® RS-485, Process Diagnostics, and SMART™ Meter Verification to improve reliability and performance
- Available with drinking water certifications

## Product Selection Guide

The Rosemount 8750W Magnetic Flowmeter sensor is available in a flanged style and transmitter is available in remote and integral transmitter configurations to ensure compatibility with all utility, water, and wastewater applications.

### Transmitter selection


Transmitter	General characteristics
Field mount 	<ul style="list-style-type: none"> <li>■ Integral and remote configurations available</li> <li>■ HART/Analog and Pulse outputs available</li> <li>■ Modbus RS-485 and Pulse output available</li> <li>■ Advanced Diagnostics available</li> <li>■ Optical Switch local operator interface (optional)</li> <li>■ Two discrete channels (optional)</li> </ul>
Wall mount 	<ul style="list-style-type: none"> <li>■ Wall mount configuration</li> <li>■ HART/Analog and Pulse outputs available</li> <li>■ Modbus RS-485 and Pulse output available</li> <li>■ Advanced Diagnostics available</li> <li>■ 15 button tactile key pad and LOI (optional)</li> <li>■ Two discrete channels (optional)</li> </ul>

### Contents

Product Selection Guide .....	2
Magmeter Diagnostics .....	3
Magnetic Flowmeter Sizing .....	4
Ordering Information .....	7
Product Specifications .....	18
Product Certifications .....	32
Dimensional drawings .....	32

## Sensor selection

**Table 1: Sensor Selection**

Sensor	General characteristics
Flanged 	<ul style="list-style-type: none"> <li>■ Flanged process connections Welded coil housing</li> <li>■ ½-in. (15 mm) to 48-in. (1200 mm)</li> <li>■ Standard, reference, and bullet-nose electrodes available</li> </ul>

## Selecting materials

For guidance on selecting materials, refer to the *Rosemount® Magnetic Flowmeter Material Selection Guide (00816-0100-3033)*, available at [www.emerson.com/rosemount](http://www.emerson.com/rosemount).

# Magmeter Diagnostics

### Rosemount diagnostics reduce cost & improve output by enabling new practices

Rosemount Magnetic Flowmeters provide device diagnostics that detect and warn of abnormal situations throughout the life of the meter - from installation to maintenance and meter verification. With Rosemount Magnetic Flowmeter diagnostics enabled, plant availability and throughput can be improved, and costs through simplified installation, maintenance and troubleshooting can be reduced.

**Table 2: Magnetic flowmeter diagnostics**

Diagnostic name	Diagnostic category	Product capability
<b>Basic diagnostics</b>		
Tunable Empty Pipe	Process	Standard
Electronics Temperature	Meter Health	Standard
Coil Fault	Meter Health	Standard
Transmitter Fault	Meter Health	Standard
Reverse Flow	Process	Standard
Coil current	Maintenance	Standard
Electrode saturation	Process/Maintenance	Standard
<b>Advanced diagnostics</b>		
High Process Noise	Process	Suite 1 (DA1)
Grounding and Wiring Fault	Installation	Suite 1 (DA1)
Coated Electrode Detection	Process	Suite 1 (DA1)
Commanded Smart Meter Verification	Meter Health	Suite 2 (DA2)
Continuous Smart Meter Verification	Meter Health	Suite 2 (DA2)

**Table 2: Magnetic flowmeter diagnostics (continued)**

Diagnostic name	Diagnostic category	Product capability
4-20 mA Loop Verification <sup>(1)</sup>	Installation	Suite 2 (DA2)

(1) Available with HART output only.

### Options for accessing diagnostics

Rosemount Magmeter Diagnostics can be accessed through the Local Operator Interface (LOI), ProLink® III v3.1, a HART Field Communicator<sup>(1)</sup>, and AMS® Suite: Intelligent Device Manager<sup>(1)</sup>. Contact your local Rosemount representative to activate diagnostics or for diagnostic availability on existing transmitters.

### Access diagnostics through the LOI for quicker installation, maintenance, and meter verification

Rosemount Magnetic Flowmeter Diagnostics are available through the LOI to simplify maintenance.

### Access diagnostics through ProLink III v. 3.0 (HART)/ProLink III v. 3.1 (HART, Modbus)

Simplify maintenance and troubleshooting practices by utilizing ProLink III v3.0/v3.1 to access diagnostics and troubleshooting information, log variable data, run SMART Meter Verification, and print verification reports.

### Access diagnostics through AMS Intelligent Device Manager<sup>(1)</sup> for the ultimate value

The value of the diagnostics increases significantly when AMS Intelligent Device Manager is used. AMS Intelligent Device Manager provides a simplified screen flow and procedures for how to respond to the diagnostic messages.

## Magnetic Flowmeter Sizing

Selecting the appropriate sensor size is an important step when considering a magnetic flowmeter. The physical properties of the process fluid, as well as the fluid velocity should be considered. It may be necessary to select a flow sensor that is larger or smaller than the adjacent piping to ensure the fluid velocity is in the recommended flow range for the application.

- Operation outside these guidelines may also give acceptable performance.

**Table 3: Sizing guidelines**

Application	Velocity range (ft/s)	Velocity range (m/s)
Normal Service	0–39	0–12
Preferred Service	2–20	0.6–6.1

#### Note

Operation outside these guidelines may also give acceptable performance.

To convert flow rate to velocity, use the appropriate factor listed in [Table 4](#) and the following equation:

$$\text{Velocity} = \frac{\text{Flow Rate}}{\text{Factor}}$$

(1) Available with HART output only.

Example: English units	Example: SI units
<p>Magmeter Size: 4 in. (factor from <a href="#">Table 4</a> = 39.679) Normal Flow Rate: 300 GPM</p> $\text{Velocity} = \frac{300 \text{ (gpm)}}{39.679}$ <p><b>Velocity = 7.56 ft/s</b></p>	<p>Magmeter Size: 100 mm (factor from <a href="#">Table 4</a> = 492.78) Normal Flow Rate: 800 L/min</p> $\text{Velocity} = \frac{800 \text{ (L/min)}}{492.78}$ <p><b>Velocity = 1.62 m/s</b></p>

**Table 4: Line size vs. conversion factor**

Nominal line size Inches (mm)	Gallons per minute factor	Liters per minute factor
½ (15)	0.947	11.762
1 (25)	2.694	33.455
1½ (40)	6.345	78.806
2 (50)	10.459	129.89
2½ (65)	14.923	185.33
3 (80)	23.042	286.17
4 (100)	39.679	492.78
5 (125)	62.356	774.42
6 (150)	90.048	1,118.3
8 (200)	155.93	1,936.5
10 (250)	245.78	3,052.4
12 (300)	352.51	4,378.0
14 (350)	421.70	5,237.3
16 (400)	550.80	6,840.6
18 (450)	697.19	8,658.6
20 (500)	866.51	10,761
24 (600)	1,253.2	15,564
30 (750)	2006.0	24,913
36 (900)	2,935.0	36,451
40 (1000)	3,652.1	45,357
42 (1050)	4,115.1	51,107
48 (1200)	5,407.6	67,159

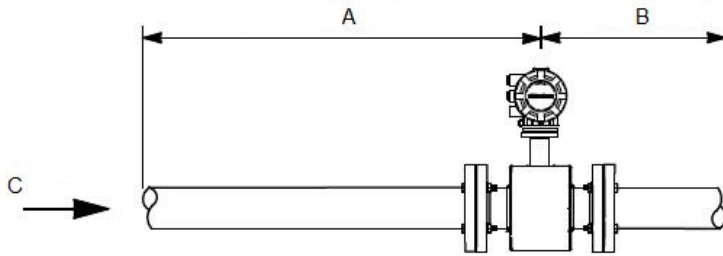
**Table 5: Line size vs. velocity/rate**

Nominal line size in inches (mm)	Minimum/maximum flow rate							
	Gallons per minute				Liters per minute			
	at 0.04 ft/s (low-flow cutoff)	at 1 ft/s (min range setting)	at 3 ft/s	at 39.37 ft/s (max range setting)	at 0.012 m/s (low-flow cutoff)	at 0.3 m/s (min range setting)	at 1 m/s	at 12 m/s (max range setting)
½ (15)	0.038	0.947	2.841	37.287	0.141	3.529	11.76	141.15
1 (25)	0.108	2.694	8.081	106.05	0.401	10.04	33.45	401.46
1½ (40)	0.254	6.345	19.04	249.82	0.946	23.64	78.81	945.67
2 (50)	0.418	10.459	31.38	411.77	1.559	38.97	129.89	1,558.7
2½ (65)	0.597	14.923	44.77	587.51	2.224	55.60	185.33	2,224.0
3 (80)	0.922	23.042	69.13	907.17	3.434	85.85	286.17	3,434.0
4 (100)	1.587	39.679	119.04	1,562.2	5.913	147.84	492.78	5,913.4
5 (125)	2.494	62.356	187.07	2,454.9	9.293	232.33	774.42	9,293.0
6 (150)	3.602	90.048	270.14	3,545.2	13.42	335.50	1,118.3	13,420
8 (200)	6.237	155.93	467.79	6,138.9	23.24	580.96	1,936.5	23,238
10 (250)	9.831	245.78	737.34	9,676.3	36.63	915.73	3,052.4	36,629
12 (300)	14.10	352.51	1,057.5	13,878	52.54	1,313.4	4,378.0	52,535
14 (350)	16.87	421.71	1,265.1	16,603	62.85	1,571.2	5,237.3	62,848
16 (400)	22.03	550.80	1,652.4	21,685	82.09	2,052.2	6,840.6	82,087
18 (450)	27.89	697.19	2,091.6	27,448	103.90	2,597.6	8,658.6	103,903
20 (500)	34.66	866.51	2,599.5	34,114	129.14	3,228.4	10,761	129,137
24 (600)	50.13	1,253.2	3,759.6	49,339	186.77	4,669.2	15,564	186,769
30 (750)	80.24	2,006.0	6,018.0	78,976	298.96	7,474.0	24,913	298,959
36 (900)	117.40	2,935.0	8,805.1	115,553	437.42	10,935	36,451	437,416
40 (1000)	146.09	3,652.1	10,956	143,785	544.29	13,607	45,357	544,286
42 (1050)	164.60	4,115.1	12,345	162,011	613.28	15,332	51,107	613,278
48 (1200)	216.30	5,407.6	16,223	212.898	805.91	20,148	67,159	805,908

## Upstream and downstream piping

To ensure specified accuracy over widely varying process conditions, install the sensor with a minimum of five straight pipe diameters upstream and two pipe diameters downstream from the electrode plane.

**Figure 1: Upstream and downstream straight pipe diameters**



- A. Five pipe diameters (upstream)
- B. Two pipe diameters (downstream)
- C. Flow direction

Installations with reduced upstream and downstream straight runs are possible. In reduced straight run installations, the meter may not meet absolute accuracy specifications. Reported flow rates will still be highly repeatable.

## Sensor grounding

A reliable ground path is required between the sensor and the process fluid. Optional grounding rings or process reference electrodes are available with 8750W Sensors to ensure proper grounding. See [Table 5](#) and [Table 6](#).

# Ordering Information

## Rosemount 8750W Magnetic Flowmeter Platform



The Rosemount 8750W Magnetic Flowmeter is available in a flanged sensor design. The sensors are fabricated from stainless and carbon steel and welded to provide a sealed coil housing that protects against moisture or other contaminants. Sizes range from 1/2-in. (15 mm) to 48-in. (1200 mm). The field mount transmitter has a die cast aluminum housing for excellent reliability. The wall mount transmitter features an easy to use operator interface. Both transmitter styles are available with advanced diagnostics to provide the best insight into the process and the meter's health.

### Note

The starred (★) offerings represent the most common options, and should be selected for best delivery.

### Model code structure

Example model code with one selection out of each category:

8750W D M T 1 A 1 F P S A 010 C A1 Z5 DA2 AX M4 BD G5 B6 R15 V1 Q4 HR7 WG YF

**Table 6: Requirements - select one from each available choice**

Example code	Category
8750W	Base model—Magnetic Flowmeter System (utility, water, and wastewater)
D	Sensor design revision—Revision "D"
M	Transmitter class ( <a href="#">Table 8</a> )
T	Transmitter mount ( <a href="#">Table 9</a> )
1	Transmitter power ( <a href="#">Table 10</a> )

**Table 6: Requirements - select one from each available choice (continued)**

Example code	Category
A	Transmitter outputs ( <a href="#">Table 11</a> )
1	Conduit entries ( <a href="#">Table 12</a> )
F	Sensor style ( <a href="#">Table 13</a> )
P	Lining material ( <a href="#">Table 14</a> )
S	Electrode material ( <a href="#">Table 15</a> )
A	Electrode type ( <a href="#">Table 16</a> )
010	Line size ( <a href="#">Table 17</a> )
C	Flange type and material ( <a href="#">Table 18</a> )
A1	Flange rating ( <a href="#">Table 19</a> )

**Table 7: Options - select only as needed**

Example code	Category
Z5	Hazardous area certifications ( <a href="#">Table 20</a> )
DA2	Advanced diagnostics ( <a href="#">Table 21</a> )
AX	Discrete input/output ( <a href="#">Table 22</a> )
M4	Display ( <a href="#">Table 23</a> )
BD	Certifications ( <a href="#">Table 24</a> )
G5	Grounding rings ( <a href="#">Table 25</a> )
B6	Miscellaneous ( <a href="#">Table 26</a> )
R15	Submergence protection ( <a href="#">Table 27</a> )
V1	Special paint ( <a href="#">Table 28</a> )
Q4	Quality certificates ( <a href="#">Table 29</a> )
HR7	Revision configuration ( <a href="#">Table 30</a> )
WG	Witness inspection ( <a href="#">Table 31</a> )
Yx	Quick Start Guide language ( <a href="#">Table 32</a> )

## Requirements

**Table 8: Rosemount 8750W transmitter class**

Code	Description	
M	Revision 4 electronics	★
0	Spare sensor, no transmitter	

**Table 9: Rosemount 8750W transmitter mount**

Code	Description	
T	Integral field mount	★
R	Remote field mount	★



**Table 9: Rosemount 8750W transmitter mount (continued)**

Code	Description	
W	Remote wall mount	★

**Table 10: Rosemount 8750W transmitter power**

Code	Description	
1	AC Power Supply (90 -250VAC, 50/60Hz)	★
2	DC Power Supply (12 - 42VDC)	★
0	Spare sensor, no transmitter	

**Table 11: Rosemount 8750W transmitter outputs**

Code	Description	
A	4-20mA output with digital HART protocol & scalable pulse output	★
M	Modbus RS-485 electronics, scalable pulse	★
0	Spare sensor, no transmitter	

**Table 12: Rosemount 8750W conduit entries**

Code	Description	Integral mount quantity	Remote mount quantity	
1	½-14 NPT	2	4	★
2	M20 adapters	2	4	★
4 <sup>(1)</sup>	½-14 NPT, additional entry	3	5	
5 <sup>(1)</sup>	M20, additional entry	3	5	
0	Spare sensor, integral mount only, no transmitter	N/A	N/A	

(1) Not available with the wall mount transmitter.

**Table 13: Rosemount 8750W sensor style**

Code	Description	
F	Flanged	★
0	Spare transmitter, no sensor	

**Table 14: Rosemount 8750W lining material**

Code	Description	
T <sup>(1)</sup>	PTFE	★
p <sup>(2)</sup>	Polyurethane	★
N <sup>(3)</sup>	Neoprene	★
0	Spare transmitter, no sensor	

(1) Available in ½ - to 36-in. (15 mm to 900 mm) line sizes.

(2) Available in line sizes 1- to 36-in., 42-in., and 48-in. (25 mm to 900 mm, 1050 mm, and 1200 mm) line sizes.

(3) Available in line sizes 1- to 48-in. (25 mm to 1200 mm) line sizes.

**Table 15: Rosemount 8750W electrode material**

Code	Description	
S	316L stainless steel	★
H	Nickel alloy 276 (UNS N 10276)	★
0	Spare transmitter, no sensor	

**Table 16: Rosemount 8750W electrode type**

Code	Description	
A	2 Measurement electrodes – standard	★
B <sup>(1)</sup>	2 Measurement electrodes – bulletnose	★
E	2 Measurement electrodes plus 1 reference electrode – standard	★
F <sup>(1)</sup>	2 Measurement electrodes plus 1 reference electrode – bulletnose	★
0	Spare transmitter, no sensor	

(1) Not available in ½-in. (15mm).

**Table 17: Rosemount 8750W line size**

Code	Line size	Liner availability		
		PTFE code T	Poly code P	Neoprene code N
005	½-in. (15 mm)	★		
010	1-in. (25 mm)	★	★	★
015	1½-in. (40 mm)	★	★	★
020	2-in. (50 mm)	★	★	★
025	2½-in. (65 mm)	★		★
030	3-in. (80 mm)	★	★	★
040	4-in. (100 mm)	★	★	★
050	5-in. (125 mm)	★		★
060	6-in. (150 mm)	★	★	★
080	8-in. (200 mm)	★	★	★
100	10-in. (250 mm)	★	★	★
120	12-in. (300 mm)	★	★	★
140	14-in. (350 mm)	★	★	★
160	16-in. (400 mm)	★	★	★
180	18-in. (450 mm)	★	★	★
200	20-in. (500 mm)	★	★	★
240	24-in. (600 mm)	★	★	★
300	30-in. (750 mm)	★	★	★
360	36-in. (900 mm)	★	★	★
400	40-in. (1000 mm)			★

**Table 17: Rosemount 8750W line size (continued)**

Code	Line size	Liner availability		
		PTFE code T	Poly code P	Neoprene code N
420	42-in. (1050 mm)		★	★
480	48-in. (1200 mm)		★	★
000	Spare transmitter, no sensor			

**Table 18: Rosemount 8750W flange type and material**

Code	Description (see <a href="#">Table 33</a> for line size vs. flange type and rating)	
C	Slip-on, raised-face, carbon steel	★
S	Slip-on, raised-face, 304/304L SST	★
F	Slip-on, flat-face, carbon steel	
G	Slip-on, flat-face, 304/304L SST	
0	Spare transmitter, no sensor	

**Table 19: Rosemount 8750W flange rating**

Code	Description (see <a href="#">Table 33</a> for line size vs. flange type and rating)
A1	ASME B16.5, Class 150
A3	ASME B16.5, Class 300
AD	AWWA C207 Class D; line size 30-in. and above; flat face flange only
AE	AWWA C207 Class E; line size 30-in. and above; flat face flange only
DD	EN1092-1, PN10
DE	EN1092-1, PN16
DF	EN 1092-1, PN25
DH	EN 1092-1, PN40
GD	GB/T9119, PN10
GE	GB/T9119, PN16
GH	GB/T9119, PN40
JP	JISB2220, 10K
JR	JISB2220, 20K
KU	AS4087, PN16
KW	AS4087, PN21
KY	AS4087, PN35
TK	AS2129, Table D
TL	AS2129, Table E
00	Spare transmitter, no sensor

## Options

### Note

These are not required, but they must be included in the model number if desired.

**Table 20: Rosemount 8750W hazardous area certifications**

Code	Description	
-(1)	Ordinary Locations - (no code required)	★
Z5	US Approvals, Class I Div 2, Non-Incendive and Dust for Non-Flammable Fluids	★
Z6	Canadian Approvals, Class I Div 2, Non-Incendive and Dust for Non-Flammable Fluids	★
ND	ATEX Dust	★
Z1	ATEX Non-Sparking and Dust for Non-Flammable Fluids	★
NF	IECEX Dust	★
Z7	IECEX Non-Sparking and Dust for Non-Flammable Fluids	★
Z3	NEPSI Non-Sparking and Dust for Non-Flammable Fluids	★

(1) CSA (C/US) marked, CE marked, EAC marked and C-tick marked.

**Table 21: Rosemount 8750W advanced diagnostics**

Code	Description	
DA1	Process Diagnostics, High Process Noise Detection, Ground/Wiring Fault Detection, and Electrode Coating	★
DA2	Smart Meter Verification	★

**Table 22: Rosemount 8750W discrete input/discrete output**

Code	Description	
AX <sup>(1)</sup>	Two Discrete Channels (DI/DO 1, DO 2)	★

(1) Requires Conduit Entry code 4 or 5 when ordered with field mount transmitter.

**Table 23: Rosemount 8750W display**

Code	Description	
M4	LCD with Local Operator Interface	★
M5 <sup>(1)</sup>	LCD display only	

(1) Field mount transmitter only.

**Table 24: Rosemount 8750W certifications**

Code	Description	
PD	European Pressure Equipment Directive Certification (PED)	★
CR	Canadian Registration Number (CRN) Certification	
BD	ASME B31.3 Process Piping Standard	

**Table 24: Rosemount 8750W certifications (continued)**

Code	Description
DW <sup>(1)</sup>	NSF Drinking Water Certification

(1) NSF drinking water certification is available with the PTFE liner in line sizes 0.5- to 36-in (15 mm to 900 mm) and the polyurethane liner in line sizes 4-to 36-in., 42-in., and 48-in. (80 mm to 900 mm, 1050 mm, and 1200 mm).

**Table 25: Rosemount 8750W grounding rings**

Code	Description
G1	316L stainless steel (Qty 2) ★
G2	Nickel alloy C-276; UNS N 10276 (Qty 2)
G5	316L stainless steel (Qty 1) ★
G6	Nickel alloy C-276; UNS N 10276 (Qty 1)

**Table 26: Rosemount 8750W miscellaneous**

Code	Description
C1	Custom Configuration (completed CDS form required with order)
D1	High Accuracy Calibration (base ref accuracy 0.25% of rate)
B6	316 SST Mounting Bracket with U-bolt Kit for 2-in. Pipe Mount
P05 <sup>(1)</sup>	5-point verification
P10 <sup>(2)</sup>	10-point verification

(1) Available for ½ - to 24-in (15 mm to 600 mm) at velocities 1, 3, 5, 7, 10 ft/s; 30-in. (700 mm) at velocities 1, 3, 5, 7, 9.5 ft/s; 36-in. (900 mm) at velocities 1, 2, 3, 5, 6.5 ft/s; 40- to 48-in. (1000mm to 1200mm).

(2) Available for ½ - to 24-in. (15 mm to 600 mm) at velocities 1, 2, 3, 4, 5, 6, 7, 8, 9, 10 ft/s; 30- to 48-in. (700 mm to 1200 mm) not available.

**Table 27: Rosemount 8750W submergence protection**

Code	Description
R05	Potted junction box with 50 feet of combo cable/cable gland
R10	Potted junction box with 100 feet of combo cable/cable gland
R15	Potted junction box with 150 feet of combo cable/cable gland
R20	Potted junction box with 200 feet of combo cable/cable gland
R25	Potted junction box with 250 feet of combo cable/cable gland
R30	Potted junction box with 300 feet of combo cable/cable gland

**Table 28: Rosemount 8750W special paint**

Code	Description
V1	Coal tar paint (submersible/direct burial)

**Table 29: Rosemount 8750W quality certificates**

Code	Description
Q4	Calibration certificate per ISO 10474 3.1B/EN 10204 3.1
Q8	Material traceability per ISO 10474 3.1B/EN 10204 3.1

**Table 30: Rosemount 8750W revision configuration**

Code	Description
HR7	HART Revision 7

**Table 31: Rosemount 8750W witness inspection**

Code	Description
WG	Witness Inspection

**Table 32: Rosemount 8750W Quick Start Guide language**

Code	Description	
YF	French	★
YG	German	★
YI	Italian	★
YK	Korean	★
YM	Chinese (Mandarin)	★
YP	Portuguese (Brazil)	★
YR	Russian	★
YS	Spanish	★

**Table 33: Slip on flange options by line size**

Size code	Flange code and rating																	
	A1	A3	AD	AE	DD	DE	DF	DH	GD	GE	GH	JP	JR	KU	KW	KY	TK	TL
	ASME Class 150	ASME Class 300	AWWA Class D	AWWA Class E	EN PN10	EN PN16	EN PN25	EN PN40	GB/T PN 10	GB/T PN 16	GB/T PN 40	JIS 10K	JIS 20K	AS4087 PN16	AS4087 PN21	AS4087 PN35	AS2129 Table D	AS2129 Table E
005	★	★						★			★	★	★				★	★
010	★	★						★			★	★	★				★	★
015	★	★						★			★	★	★				★	★
020	★	★				★		★			★	★	★	★	★	★	★	★
025	★	★				★		★			★	★	★	★	★	★	★	★
030	★	★				★		★			★	★	★	★	★	★	★	★
040	★	★				★		★		★	★	★	★	★	★	★	★	★
050	★	★				★		★		★	★	★	★	★	★	★	★	★
060	★	★				★		★		★	★	★	★	★	★	★	★	★
080	★	★			★	★	★	★	★	★	★	★	★				★	★
100	★	★			★	★	★	★	★	★	★	★	★	★	★	★	★	★
120	★	★			★	★	★	★	★	★	★	★	★	★	★	★	★	★
140	★	★			★	★	★	★	★	★	★	★	★	★	★	★	★	★
160	★	★			★	★	★	★	★	★	★	★	★	★	★	★	★	★

**Table 33: Slip on flange options by line size (continued)**

Size code	Flange code and rating																	
	A1	A3	AD	AE	DD	DE	DF	DH	GD	GE	GH	JP	JR	KU	KW	KY	TK	TL
	ASME Class 150	ASME Class 300	AWWA Class D	AWWA Class E	EN PN10	EN PN16	EN PN25	EN PN40	GB/T PN 10	GB/T PN 16	GB/T PN 40	JIS 10K	JIS 20K	AS4087 PN16	AS4087 PN21	AS4087 PN35	AS2129 Table D	AS2129 Table E
180	★	★			★	★	★	★	★	★	★	★	★	★	★	★	★	★
200	★	★			★	★	★	★	★	★	★	★	★	★	★	★	★	★
240	★	★			★	★	★	★	★	★	★	★	★	★	★	★	★	★
300			★	★										★	★	★	★	★
360			★	★	★	★			★	★				★	★	★	★	★
400			★	★	★	★			★	★				★	★		★	★
420			★	★														
480			★	★	★												★	★

## Ordering flowmeter equipment

### Ordering procedure

To order, select the desired sensor and/or transmitter by specifying model codes from the ordering table.

For remote transmitter applications, note the cable specification requirements.

### Standard configuration

Unless the Configuration Data Sheet is completed, the transmitter will be shipped as follows:

Engineering units:	ft/sec
4mA:	0
20mA:	30
Sensor size:	3-in.
Empty pipe:	On
Sensor calibration number:	1000005010000000

Integrally mounted transmitters are factory configured with the paired sensor size and appropriate calibration number.

### Custom configuration (option code C1)

If Option Code C1 is ordered, the Configuration Data Sheet (CDS) must be submitted at the time of order.

### Standard tagging

Instrument tags for the transmitter and sensors are as follows:

- 316SST laser etched label, permanently attached
- Main label - Tag name: 1 line 21 characters
- Additional 316SST 'wire-on' tag available: 5 lines, 17 characters per line (6mm height)

### Interconnecting cable

Interconnecting cables are required to connect a remote mount transmitter to the sensor. When ordering cable, review the hazardous area approval requirements and the installation location requirements for proper cable selection.

- Cables can be ordered as individual component cables or a combination coil drive/electrode cable.
- Cables can be ordered as part of the transmitter model number or as a spare parts kit. Integrally mounted transmitters are factory wired and do not require additional interconnecting cables.
- Individual component cables require equal lengths of coil drive cable and electrode cable and should be limited to less than 500 feet (152 m). Consult Technical Support for lengths between 500-1000 feet (152-304 m).
- Combination coil drive/electrode cable is only available for Ordinary Locations and should be limited to less than 330 feet (100 m).

### Component cable kits

Standard temp (-20 °C to 75 °C)				
Cable kit #	Description	Component	Rosemount p/n	Alpha p/n
08732-0065-0001 (feet)	Kit, Component Cables, Std Temp, (includes Coil and Electrode)	Coil	08732-0060-0001	2442C
		Electrode	08732-0061-0001	2413C
08732-0065-0002 (meters)	Kit, Component Cables, Std Temp (includes Coil and Electrode)	Coil	08732-0060-0002	2442C
		Electrode	08732-0061-0002	2413C



Standard temp (-20 °C to 75 °C)				
08732-0065-0003 (feet)	Kit, Component Cables, Std Temp (includes Coil and I. S. Electrode)	Coil	08732-0060-0001	2442C
		I. S. Electrode	08732-0061-0003	Not available
08732-0065-0004 (meters)	Kit, Component Cables, Std Temp (includes Coil and I. S. Electrode)	Coil	08732-0060-0002	2442C
		I.S. Electrode	08732-0061-0004	Not available

Extended temp (-50 °C to 125 °C)				
Cable kit #	Description	Component	Rosemount p/n	Alpha p/n
08732-0065-1001 (feet)	Kit, Component Cables, Ext Temp (includes Coil and Electrode)	Coil	08732-0060-1001	Not available
		Electrode	08732-0061-1001	Not available
08732-0065-1002 (meters)	Kit, Component Cables, Ext Temp (includes Coil and Electrode)	Coil	08732-0060-1002	Not available
		Electrode	08732-0061-1002	Not available
08732-0065-1003 (feet)	Kit, Component Cables, Ext Temp (includes Coil and I. S. Electrode)	Coil	08732-0060-1001	Not available
		I. S. Electrode	08732-0061-1003	Not available
08732-0065-1004 (meters)	Kit, Component Cables, Ext Temp (includes Coil and I. S. Electrode)	Coil	08732-0060-1002	Not available
		I.S. Electrode	08732-0061-1004	Not available

**Combo cable kits**

Coil/electrode cable (-20 °C to 80 °C)	
Cable Kit # <sup>(1)</sup>	
08732-0065-2001 (feet)	Kit, Combo Cable, Standard
08732-0065-2002 (meters)	
08732-0065-3001 (feet)	Kit, Combo Cable, Submersible <sup>(2)</sup>
08732-0065-3002 (meters)	

(1) Only available for Ordinary Locations.


(2) 80 °C dry/60 °C wet/33ft continuous submergence.

# Product Specifications

## Basic specifications


The tables below outline some of the basic performance, physical, and functional specifications.

**Table 34: Wall mount transmitter Specifications**

	Style	Wall mount
	Base accuracy <sup>(1)</sup>	0.5% Standard 0.25% High Accuracy Option
	Mounting	Remote
	Power supply	Global AC or DC
	User interface	15 button tactile keypad
	Communication protocol	HART or Modbus RS-485
	Diagnostics	Basic, DA1, DA2
	Sensor compatibility	All Rosemount plus other manufacturers
	Detailed specifications	<a href="#">Transmitter specifications</a>
	Ordering information	<a href="#">Ordering Information</a>


(1) For complete accuracy specifications, please refer to [Transmitter functional specifications](#).

**Table 35: Field mount transmitter specifications**

	Style	Field mount
	Base accuracy <sup>(1)</sup>	0.5% Standard 0.25% High Accuracy Option
	Mounting	Integral or Remote
	Power supply	Global AC or DC
	User interface	4 Optical Switch LOI or no display
	Communication protocol	HART or Modbus RS-485
	Diagnostics	Basic, DA1, DA2
	Sensor compatibility	All Rosemount plus other manufacturers
	Detailed specifications	<a href="#">Transmitter specifications</a>
	Ordering information	<a href="#">Ordering Information</a>

(1) For complete accuracy specifications, please refer to [Transmitter functional specifications](#).

**Table 36: Sensor specifications**


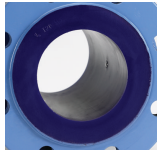
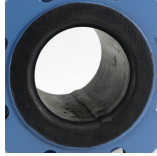
	Style	Flanged
	Base accuracy <sup>(1)</sup>	0.5% Standard 0.25% High Accuracy Option
	Line sizes	½-in. to 48-in. (15 mm to 1200 mm)
	Design features	Standard Process Design
	Detailed specifications	<a href="#">Sensor specifications</a>

**Table 36: Sensor specifications (continued)**

	Ordering information	<a href="#">Ordering Information</a>
--	----------------------	--------------------------------------

(1) For complete accuracy specifications, refer to the sensor detailed specifications.

**Table 37: Lining Material Selection**

Liner material	General characteristics
PTFE 	Highly chemical resistant
	Excellent high temperature capabilities
	Process temperature: -58 to 350 °F (-50 to 177 °C)
Polyurethane 	Limited chemical resistance
	Excellent abrasion resistance for slurries with small and medium particles
	Process temperature: 0 to 140 °F (-18 to 60 °C)
	Typically applied in clean water
Neoprene 	Very good abrasion resistance for small and medium particles
	Better chemical resistance than polyurethane
	Typically applied in water with chemicals, and sea water
	Preferred liner for high pressure > ASME B16.5 Class 900
	Process temperature: 0 to 176 °F (-18 to 80 °C)

**Table 38: Electrode Material**

Electrode material	General characteristics
316L Stainless Steel	Good corrosion resistance
	Good abrasion resistance
	Not recommended for sulfuric or hydrochloric acids
Nickel Alloy 276 (UNS N10276)	Better corrosion resistance
	High strength
	Good in slurry applications
	Effective in oxidizing fluids

**Table 39: Electrode Type**

Electrode type	General characteristics
Standard Measurement	Lowest cost
	Good for most applications
Measurement + Reference Electrode	Low cost grounding option especially for large line sizes
	Minimum conductivity of 100 microSiemens/cm

**Table 39: Electrode Type (continued)**

Electrode type	General characteristics
(Also see <a href="#">Table 40</a> and <a href="#">Table 41</a> for grounding options and installation)	Not recommended for electrolytic or galvanic corrosion applications
Bulletnose	Extended head protrudes into the flow stream for self-cleaning
	Best option for coating processes

**Table 40: Process Reference Options**

Grounding options	General characteristics
No Grounding Options (grounding straps)	Acceptable for conductive unlined pipe
	Grounding straps provided at no cost
Reference Electrode	Same material as measurement electrodes
	Sufficient grounding option when process fluid conductivity is greater than 100 microSiemens/cm
	Not recommended in electrolysis applications, galvanic corrosion applications, applications where the electrodes may coat, or non-conductive pipe.
Grounding Rings	Low conductivity process fluids
	Cathodic or electrolysis applications that may have stray currents in or around the process
	Variety of materials for process fluid compatibility

**Table 41: Process Reference Installation**

Type of pipe	Grounding straps	Grounding rings	Reference electrode	Lining protectors
Conductive unlined pipe	Acceptable	Not required	Not required	Not required
Conductive lined pipe	Not acceptable	Acceptable	Acceptable	Acceptable
Non-conductive pipe	Not acceptable	Acceptable	Not recommended	Acceptable

## Transmitter specifications

### Transmitter functional specifications

#### Transmitter coil drive current

500mA

#### Flow rate range

Capable of processing signals from fluids with velocities between 0.04 and 39 ft/s (0.01 to 12 m/s) for both forward and reverse flow in all sensor sizes. Full scale continuously adjustable between -39 and 39 ft/s (-12 to 12 m/s).

#### Conductivity limits

Process liquid must have a conductivity of 5 microSiemens/cm (5 micromhos/cm) or greater.

### Power supply

90 - 250VAC @ 50/60Hz or 12 - 42VDC

### Line power fuses

- 90 - 250VAC systems:
  - 2 amp quick acting
  - Bussman AGC2 or equivalent
- 12 - 42VDC systems
  - 3 amp quick acting
  - Bussman AGC3 or equivalent

### Power consumption

- 90 - 250VAC: 40VA maximum
- 12 - 42VDC: 15W maximum

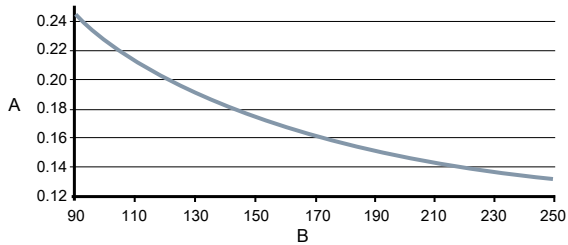
### Switch-on current

- At 250VAC: Maximum 35.7A (< 5ms)
- At 42VDC: Maximum 42A (< 5ms)

### AC power supply requirements

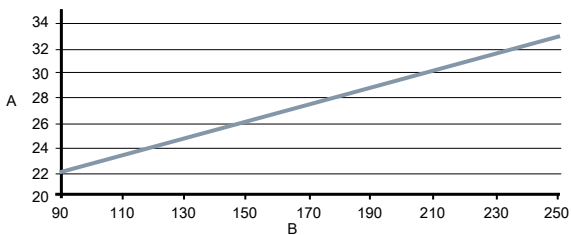
Units powered by 90 - 250VAC have the following power requirements. Peak inrush is 35.7A at 250VAC supply, lasting approximately 1ms. Inrush for other supply voltages can be estimated with:  $\text{Inrush (Amps)} = \text{Supply (Volts)} / 7.0$

**Figure 2: AC current requirements**



- A. Supply current (amps)
- B. Power supply (VAC)

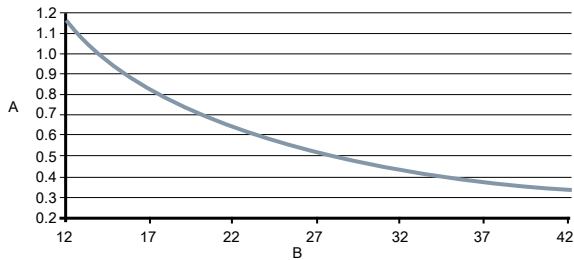
**Figure 3: Apparent power**



- A. Apparent power (VA)
- B. Power supply (VAC)

### DC power supply requirements

Units powered by 12VDC power supply may draw up to 1.2A of current steady state. Peak inrush is 42A at 42VDC supply, lasting approximately 1ms. Inrush for other supply voltages can be estimated with:  $\text{Inrush (Amps)} = \text{Supply (Volts)} / 1.0$

**Figure 4: DC current requirements**

- A. Supply current (amps)  
 B. Power supply (VDC)

### Ambient temperature limits

- Operating:
  - -58 to 140 °F (-50 to 60 °C) without local operator interface
  - -4 to 140 °F (-20 to 60 °C) with local operator interface
  - The Local Operator Interface (LOI) will not display at temperatures below -20°C
- Storage:
  - -58 to 185 °F (-50 to 85 °C) without local operator interface
  - -22 to 176 °F (-30 to 80 °C) with local operator interface

### Humidity limits

0–95% RH to 140 °F (60 °C)

### Altitude

2000 meters maximum

### Enclosure rating

Type 4X, IEC 60529, IP66 (transmitter)

### Transient protection rating

Built in transient protection that conforms to:

- IEC 61000-4-4 for burst currents
- IEC 61000-4-5 for surge currents
- IEC 611185-2.2000, Class 3 up to 2kV and up to 2kA protection

### Turn-on time

- 5 minutes to rated accuracy from power up
- 5 seconds from power interruption

### Start-up time

50ms from zero flow

### Low flow cut-off

Adjustable between 0.01 and 38.37 ft/s (0.003 and 11.7 m/s). Below selected value, output is driven to the zero flow rate signal level.

### **Overrange capability**

Signal output will remain linear until 110% of upper range value or 44 ft/s (13 m/s). The signal output will remain constant above these values. Out of range message displayed on LOI and the Field Communicator.

### **Damping**

Adjustable between 0 and 256 seconds

### **Advanced diagnostics capabilities**

#### **Basic**

- Self test
- Transmitter faults
- Analog output test
- Pulse output test
- Tunable empty pipe
- Reverse flow
- Coil circuit fault
- Electronics temperature

#### **Process diagnostics (DA1)**

- Ground/wiring fault
- High process noise
- Electrode coating diagnostic

#### **Smart Meter Verification (DA2)**

- Smart Meter Verification (continuous or on-demand)
- 4-20mA loop verification<sup>(2)</sup>

### **Output signals**

#### **Analog output adjustment <sup>(3)</sup>**

4–20mA, switch-selectable as internally or externally powered.

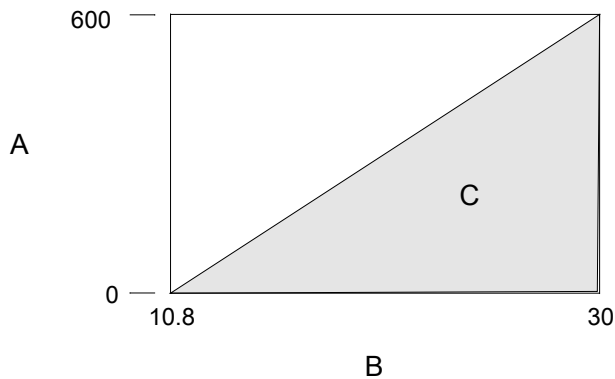
#### **Analog loop load limitations**

- Internally powered 24VDC max, 500 ohms max loop resistance
- Externally powered 10.8 - 30VDC max.
- Loop resistance is determined by the voltage level of the external power supply at the transmitter terminals:

---

(2) Available with HART output only.

(3) For transmitters with intrinsically safe outputs (option code B), power must be supplied externally.

**Figure 5: Analog loop load limitations**

- A. Load (ohms)  
 B. Power supply (volts)  
 C. Operating region
- $R_{\max} = 31.25 (V_{ps} - 10.8)$
  - $V_{ps}$  = power supply voltage (volts)
  - $R_{\max}$  = maximum loop resistance (ohms)

The analog output is automatically scaled to provide 4mA at lower range value and 20mA at upper range value. Full scale continuously adjustable between -39 and 39 ft/s (-12 to 12 m/sec), 1 ft/s (0.3 m/s) minimum span.

HART Communications is a digital flow signal. The digital signal is superimposed on the 4–20mA signal and is available for the control system interface. A minimum of 250 ohms loop resistance is required for HART communications.

### Analog alarm mode

High or low alarm signal is user-selectable via the Alarm switch on the front of the electronics. NAMUR-compliant alarm limits are software configurable and can be preset via CDS (C1). Individual diagnostic alarms are also software configurable. Alarms will drive the analog signal to the following mA values. High or low alarm signal is user-selectable via the Alarm switch on the front of the electronics. NAMUR-compliant alarm limits are software configurable and can be preset via CDS (C1). Individual diagnostic alarms are also software configurable. Alarms will drive the analog signal to the following mA values.

Low	3.75 mA	Requires CDS (C1)
High	22.50 mA	Factory default
NAMUR Low	3.5 mA	Requires CDS (C1)
NAMUR High	22.6 mA	Requires CDS (C1)

### Modbus RS-485 Output

Transmitters with a Modbus output provide an RS-485 signal to a Modbus host system; data rates can be configured from 1200 baud to 115.2 kilobaud.

### Scalable pulse frequency adjustment<sup>(4)(5)</sup>

- 0-10,000Hz, switch-selectable as internally or externally powered
- Pulse value can be set to equal desired volume in selected engineering units
- Pulse width adjustable from 0.1 to 650 ms
- Internally powered: Outputs up to 12VDC

(4) For transmitters with intrinsically safe outputs (option code B), power must be supplied externally.

(5) For transmitters with intrinsically safe outputs (option code B), frequency range is limited to 0-5000Hz.



- Externally powered: Input 5 - 28VDC

### Output testing

**Analog output test** <sup>(4)</sup> Transmitter may be commanded to supply a specified current between 3.5 and 23mA.

**Pulse output test** <sup>(5)</sup> Transmitter may be commanded to supply a specified frequency between 1 and 10,000Hz.

### Optional discrete output function (AX option)

Externally powered at 5 - 28VDC, 240mA max, solid state switch closure to indicate either:

**Reverse flow** Activates switch closure output when reverse flow is detected.

**Zero flow** Activates switch closure output when flow goes to 0 ft/s or below low flow cutoff.

**Empty pipe** Activates switch closure output when an empty pipe condition is detected.

**Transmitter faults** Activates switch closure output when a transmitter fault is detected.

**Flow limit 1, flow limit 2** Activates switch closure output when the transmitter measures a flow rate that meets the conditions established for this alert. There are two independent flow limit alerts that can be configured as discrete outputs.

**Totalizer limit** Activates switch closure output when the transmitter measures a total flow that meets the conditions established for this alert.

**Diagnostic status** Activates switch closure output when the transmitter detects a condition that meets the configured criteria of this output.

### Optional discrete input function (AX option)

Externally powered at 5 - 28VDC, 1.4 - 20mA to activate switch closure to indicate either:

**Reset Totalizer A (or B or C)** Resets Totalizer A (or B or C) value to zero.

**Reset All Totals** Resets all totalizer values to zero.

**Positive Zero Return (PZR)** Forces outputs of the transmitter to zero flow.

### Security lockout

Security lockout switch on the electronics board can be set to deactivate all LOI and HART-based communicator functions to protect configuration variables from unwanted or accidental change.

### LOI lockout

The display can be manually locked to prevent unintentional configuration changes. The display lock can be activated through a HART communication device, or by holding the UP arrow for 3 seconds and then following the on-screen instructions. When the display lock is activated, a lock symbol will appear in the lower right hand corner of the display. To deactivate the display lock, hold the UP arrow for 3 seconds and follow the on-screen instructions.

Display auto lock can be configured from the LOI with the following settings: OFF, 1 Minute, or 10 Minutes

### Sensor compensation

Rosemount sensors are calibrated in a flow lab at the factory and are assigned a calibration number. The calibration number must be entered into the transmitter, enabling interchangeability of sensors without calculations or a compromise in standard accuracy.

Transmitters and other manufacturers' sensors can be calibrated at known process conditions or at the Rosemount NIST-Traceable Flow Facility. Transmitters calibrated on site require a two-step procedure to match a known flow rate. This procedure can be found in the operations manual.

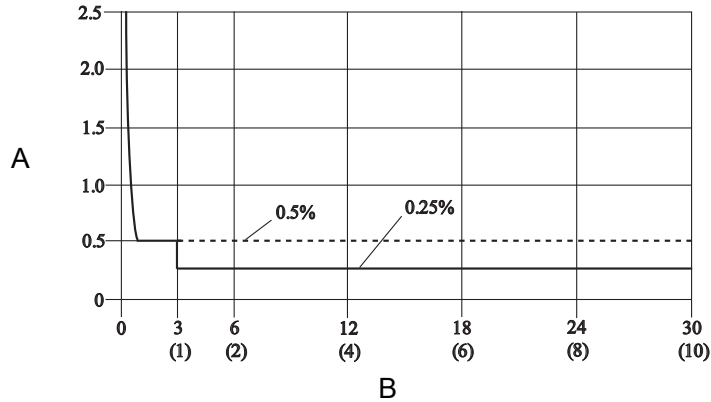
## Performance specifications

System specifications are given using the frequency output and with the unit at reference conditions.

### Accuracy

Includes the combined effects of linearity, hysteresis, and repeatability.

- Standard system accuracy:
  - $\pm 0.5\%$  of rate from 1 to 39 ft/s (0.3 to 12 m/s)
  - $\pm 0.005$  ft/s (0.0015 m/s) from the low flow cutoff to 1 ft/s (0.3 m/s)
- Optional high accuracy:<sup>(6)</sup>
  - $\pm 0.25\%$  of rate  $\pm 1.0$  mm/sec from 3 to 39 ft/s (1 to 12 m/s)



- A. Percentage of rate
- B. Velocity in ft/s (m/s)

### Analog output effects

Analog output has the same accuracy as frequency output plus an additional  $\pm 4 \mu A$  at room temperature.

Repeatability	$\pm 0.1\%$ of reading
Response time (analog output)	20 ms max response time to step change in input
Stability	$\pm 0.1\%$ of rate over six months
Ambient temperature effect	$\pm 0.25\%$ change over operating temperature range

## Wall mount transmitter physical specifications

### Materials of construction

Standard housing	Low copper aluminum Type 4X and IEC 60529 IP66
Paint	Polyurethane coat (1.8 to 2.2 mils thick)
Optional housing	Not available
Cover gaskets	Silicone

<sup>(6)</sup> For sensor sizes greater than 12 in. (300 mm) the high accuracy is  $\pm 0.25\%$  of rate from 3 to 39 ft/sec (1 to 12 m/sec).

**Electrical connections**

Conduit entries	½ inch NPT or M20
Terminal block screws	6-32 (No. 6) suitable for up to 14 AWG wire
Safety grounding screws	External stainless assembly, M5; internal 8-32 (No. 8)

**Vibration rating**

2G per IEC 61298

**Dimensions**

See [Dimensional drawings](#).

**Weight**

Wall mount transmitter	Aluminum	Approximately 9 lbs. (4 kg)
------------------------	----------	-----------------------------

Add 1 pound (0.5 kg) for local operator interface.

**Field mount transmitter physical specifications**

**Materials of construction**

Standard housing	Low copper aluminum Type 4X and IEC 60529 IP66
Paint	Polyurethane coat (1.8 to 2.2 mils thick)
Optional housing	316/316L unpainted, option code SH Type 4X and IEC 60529 IP66
Cover gasket	Aluminum housing: Buna-N

**Electrical connections**

Conduit entries	Available in 1/2 inch NPT or M20. See ordering table footnotes for details
Terminal block screws	6-32 (No. 6) suitable for up to 14 AWG wire
Safety grounding screws	External stainless assembly, M5; internal 8-32 (No. 8)

**Vibration rating**

Integral mount	2G per IEC 61298
Remote mount	5G per IEC 61298

**Dimensions**

See [Dimensional drawings](#).

**Weight**

Field mount transmitter only	Aluminum	Approximately 7 lbs. (3.2 kg)
------------------------------	----------	-------------------------------

	316 stainless steel	Approximately 23 lbs. (10.5 kg)
--	---------------------	---------------------------------

Add 1 pound (0.5 kg) for local operator interface.

## Sensor specifications



### Functional specifications

#### Service

Conductive liquids and slurries

#### Line sizes

½ -in. to 48-in. (15 mm to 1200 mm)

#### Sensor coil resistance

7 - 16 Ω

#### Interchangeability

System accuracy is maintained regardless of line size or optional features. Each sensor nameplate has a sixteen-digit calibration number that can be entered into a transmitter through the Local Operator Interface (LOI) or the Field Communicator.

#### Upper range limit

39.37 ft/s (12 m/s)

#### Ambient temperature limits

- -20 to 140 °F (-29 to 60 °C) standard design

#### Pressure limits

See [Process temperature limits](#).

#### Vacuum limits

PTFE lining	Full vacuum to 350 °F (177 °C) through 4-in. (100 mm) line sizes. Consult Technical Support for vacuum applications with line sizes of 6 inches (150 mm) or larger
All other standard sensor lining materials	Full vacuum to maximum material temperature limits for all available line sizes.

**Submergence protection IP68**

The remote mount sensor is rated IP68 for submergence to a depth of 33 ft (10 m) for a period of 48 hours. IP68 rating requires that the transmitter must be remote mount. Installer must use IP68 approved cable glands, conduit connections, and/or conduit plugs.

For more details on proper installation techniques for IP68, reference Rosemount Technical Note 00840-0100-4750 available on [www.rosemount.com](http://www.rosemount.com).

**Conductivity limits**

Process liquid must have a minimum conductivity of 5 microSiemens/cm (5 micromhos/cm) or greater.

**Process temperature limits**

PTFE lining	-58 to 350 °F (-50 to 177 °C)
Polyurethane lining	0 to 140 °F (-18 to 60 °C)
Neoprene lining	0 to 176 °F (-18 to 80 °C)

**Table 42: Temperature vs. Pressure Limits for ASME B16.5 class flanges <sup>(1)</sup>**

Sensor temperature vs. pressure limits for ASME B16.5 class flanges ( ½ -in. to 24-in. Line Sizes) <sup>(2)</sup>					
Flange material	Flange rating	Pressure			
		@ -20 to 100 °F (-29 to 38 °C)	@ 200 °F (93 °C)	@ 300 °F (149 °C)	@ 350 °F (177 °C)
Carbon Steel	Class 150	285 psi	260 psi	230 psi	215 psi
	Class 300	740 psi	675 psi	655 psi	645 psi
304 Stainless Steel	Class 150	275 psi	235 psi	205 psi	190 psi
	Class 300	720 psi	600 psi	530 psi	500 psi

(1) Liner temperature limits must also be considered.

(2) 30-in. and 36-in. AWWA C207 Class D rated to 150 psi at atmospheric temperature.

**Table 43: Temperature vs. Pressure Limits for AS2129 Table D and E flanges <sup>(1)</sup>**

Sensor temperature vs. pressure limits for AS2129 Table D and E flanges (4-in. to 24-in. line sizes)					
Flange Material	Flange Rating	Pressure			
		@ -29 to 50 °C (-20 to 122 °F)	@ 100 °C (212 °F)	@ 150 °C (302 °F)	@ 200 °C (392 °F)
Carbon Steel	D	101.6 psi	101.6 psi	101.6 psi	94.3 psi
	E	203.1 psi	203.1 psi	203.1 psi	188.6 psi

(1) Liner temperature limits must also be considered.

**Table 44: Temperature vs. Pressure Limits for EN 1092-1 flanges <sup>(1)</sup>**

Sensor temperature vs. pressure limits for EN 1092-1 flanges (15 mm to 600 mm Line Sizes)					
Flange material	Flange rating	Pressure			
		@ -29 to 50 °C (-20 to 122 °F)	@ 100 °C (212 °F)	@ 150 °C (302 °F)	@ 175 °C (347 °F)
Carbon Steel	PN 10	10 bar	10 bar	9.7 bar	9.5 bar

**Table 44: Temperature vs. Pressure Limits for EN 1092-1 flanges <sup>(1)</sup> (continued)**

Sensor temperature vs. pressure limits for EN 1092-1 flanges (15 mm to 600 mm Line Sizes)					
Flange material	Flange rating	Pressure			
		@ -29 to 50 °C (-20 to 122 °F)	@ 100 °C (212 °F)	@ 150 °C (302 °F)	@ 175 °C (347 °F)
304 Stainless Steel	PN 16	16 bar	16 bar	15.6 bar	15.3 bar
	PN 40	40 bar	40 bar	39.1 bar	38.5 bar
	PN 10	9.1 bar	7.5 bar	6.8 bar	6.5 bar
304 Stainless Steel	PN 16	14.7 bar	12.1 bar	11.0 bar	10.6 bar
	PN 40	36.8 bar	30.3 bar	27.5 bar	26.5 bar

(1) Liner temperature limits must also be considered.

**Table 45: Temperature vs. Pressure Limits for GB/T 9119 Flanges <sup>(1)</sup>**

Temperature vs. Pressure Limits for GB/T 9119 Flanges				
Flange material	Flange rating	Pressure (Mpa)		
		≤ 20 °C	@ 100 °C (212 °F)	@ 150 °C (302 °F)
Carbon steel Group 3E0	PN 10	1.00	0.92	0.88
	PN 16	1.60	1.48	1.40
	PN 40	4.00	3.71	3.52
304 SST Group 11E0	PN 10	1.00	0.90	0.81
	PN 16	1.60	1.45	1.31
	PN 40	4.00	3.63	3.27

(1) Liner temperature limits must also be considered.

**Table 46: Temperature vs. Pressure Limits for JIS B2220 Flanges <sup>(1)</sup>**

Temperature vs. Pressure Limits for JIS B2220 Flanges			
Flange material	Flange rating	Pressure (Mpa)	
		≤ 50 °C (122 °F)	@ 120 °C (248 °F)
Carbon steel	10K	1.4	1.4
304 stainless steel (15 mm to 65 mm)	10K	1.4	1.4
304 stainless steel (≤ 80 mm)	10K	1.4	1.4

(1) Liner temperature limits must also be considered.

## Physical specifications

### Non-wetted materials

Sensor Pipe	Type 304/304L SST
-------------	-------------------

Flanges	Carbon steel, Type 304/304L SST
Coil housing	Rolled carbon steel
Paint	Polyurethane coat (2.6 mils or greater)

### Process-wetted materials

Lining	PTFE, Polyurethane, Neoprene
Electrodes	316L SST, Nickel Alloy 276 (UNS N10276)

### Flat-faced flanges

Flat-faced flanges are manufactured with full-face liners. Available in Neoprene only.

### Process connections

ASME B16.5	<ul style="list-style-type: none"> <li>■ Class 150: ½-in. to 24-in. (15 mm to 600 mm)</li> <li>■ Class 300: ½-in. to 24-in. (15 mm to 600 mm)</li> </ul>
AWWA C207	<ul style="list-style-type: none"> <li>■ Class D: 30-in. to 48-in. (750 mm to 1200 mm)</li> <li>■ Class E: 30-in. to 48-in. (750 mm to 1200 mm)</li> </ul>
EN 1092-1	<ul style="list-style-type: none"> <li>■ PN10: 200 mm to 900 mm (8-in. to 36-in.)</li> <li>■ PN16: 50 mm to 900 mm (2-in. to 36-in.)</li> <li>■ PN40: 15 mm to 900 mm (½-in. to 36-in.)</li> </ul>
AS2129	<ul style="list-style-type: none"> <li>■ Table D and Table E: 15 mm to 900 mm (½-in. to 36-in.)</li> </ul>
AS4087	<ul style="list-style-type: none"> <li>■ PN16, PN21: 2-in. to 40-in., 48-in. (8-in. excluded) (50 mm to 1000 mm, 1200 mm)</li> <li>■ PN35: 2-in. to 36-in. (8-in. excluded) (50 mm to 900 mm)</li> </ul>
GB/T9119	<ul style="list-style-type: none"> <li>■ PN10: 8- and 24-, 36-, 40-, 48-in. (200 mm to 600 mm, 900 mm, 1000 mm, 1200 mm)</li> <li>■ PN16: 4- and 24-, 36-, 40-in. (100 mm to 600 mm, 900 mm, 1000 mm)</li> <li>■ PN40: ½- to 24-in. (15 mm to 600 mm)</li> </ul>
JIS B2220	<ul style="list-style-type: none"> <li>■ 10K, 20K: ½- to 24-in. (15 mm to 600 mm)</li> </ul>

### Electrical connections

Conduit entries	Available with 1/2 inch NPT and M20
Terminal block screws	6-32 (No. 6) suitable for up to 14 AWG wire
Safety grounding screws	External stainless assembly, M5; internal 8-32 (No. 8)

### Process reference electrode (optional)

A process reference electrode can be installed similarly to the measurement electrodes through the sensor lining. It will be made of the same material as the measurement electrodes.

### Grounding rings (optional)

Grounding rings can be installed between the flange and the sensor face on both ends of the sensor. Single ground rings can be installed on either end of the sensor. They have an I.D. slightly larger than the sensor I.D. and an external tab to attach ground wiring. Grounding rings are available in 316L SST, and Nickel Alloy 276 (UNS N10276).

### Dimensions

See [Dimensional drawings](#).

**Weight**

See [Table 47](#) through [Table 54](#).

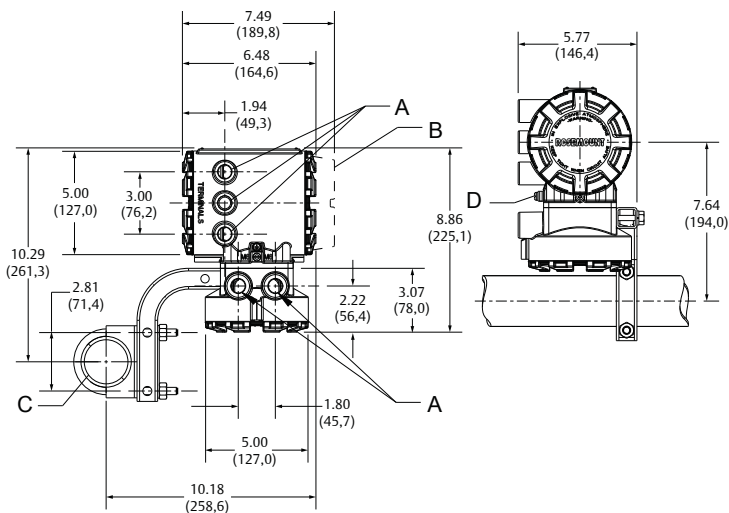
## Product Certifications

For detailed approval certification information and installation drawings, please see the appropriate document listed below:

- Document number 00825-MA00-0004: *Rosemount 8750W Approval Document - IECEx and ATEX*
- Document number 00825-MA00-0005: *Rosemount 8750W Approval Document – Class Division*
- Document number 00825-MA00-0006: *Rosemount 8750W Approval Document – North America Zone*

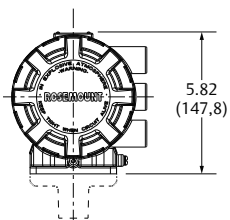
## Dimensional drawings

**Figure 6: Remote field mount transmitter**



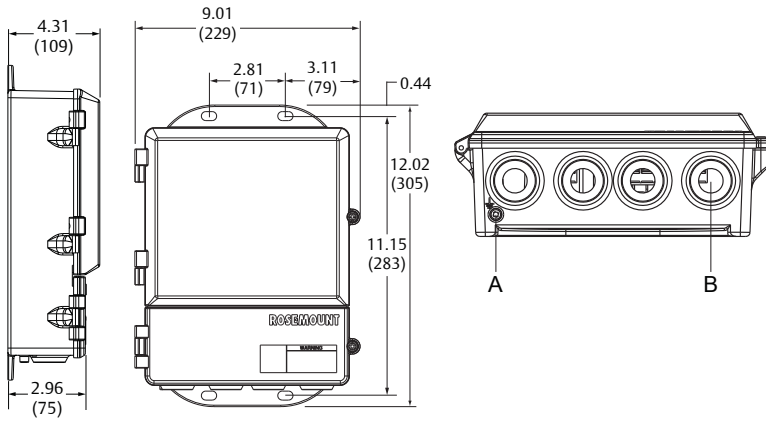
- A. ½-in.-14 NPT or M20 conduit entry
- B. LOI cover
- C. 2-in. pipe bracket
- D. Ground lug

**Figure 7: Integral field mount transmitter**



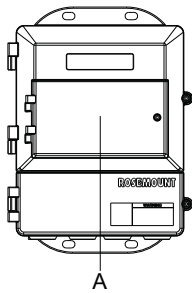


**Figure 8: Wall mount transmitter with standard cover**

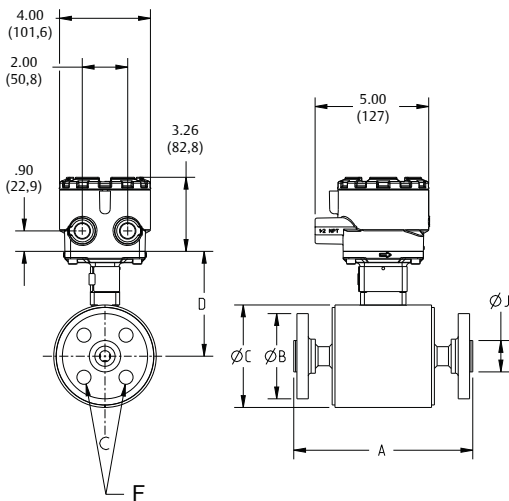


- A. Ground lug
- B. ½-in.-14 NPT conduit connection (four places)

**Figure 9: Wall mount transmitter with LOI cover**



**Figure 10: Raised face flanged sensor ½ - to 2½ -in. (15 mm to 65 mm)**



- F – Flange bolts to straddle center line

**Table 47: Raised face flanged sensor ½ - to 2½ -in. (15 mm to 65 mm) dimensions**

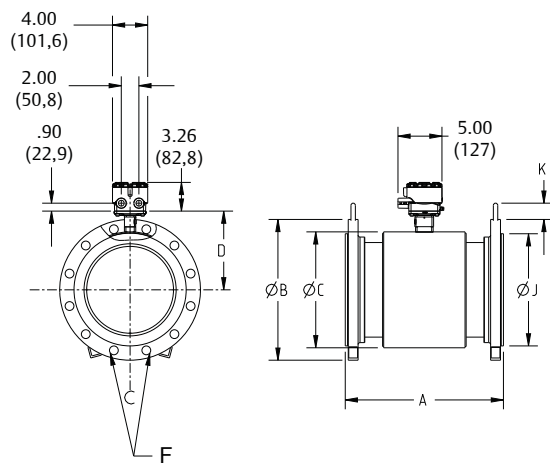
Size, description	Overall length			Dim B	Dim C	Dim D	Dim J	Flow tube wgt (lbs./ kg)
	Dim A PTFE	Dim A Neo-prene	Dim A Poly					
0.5-in. (15 mm) ASME - 150, SO/RF	7.88 (200)	7.88 (200)	7.88 (200)	3.50 (89)	4.50 (114)	4.41 (112)	1.38 (35)	9 (4)
0.5-in. (15 mm) ASME - 300, SO/RF	7.88 (200)	7.88 (200)	7.88 (200)	3.74 (95)	4.50 (114)	4.41 (112)	1.38 (35)	10 (5)
0.5-in. (15 mm) EN 1092-1 - PN40, SO/RF	7.88 (200)	7.88 (200)	7.88 (200)	3.74 (95)	4.50 (114)	4.41 (112)	1.77 (45)	10 (5)
0.5-in. (15 mm) AS 2129 table D, SO/RF	7.88 (200)	7.88 (200)	7.88 (200)	3.74 (95)	4.50 (114)	4.41 (112)	1.85 (47)	8 (4)
0.5-in. (15 mm) AS 2129 table E, SO/RF	7.88 (200)	7.88 (200)	7.88 (200)	3.74 (95)	4.50 (114)	4.41 (112)	1.85 (47)	8 (4)
0.5-in. (15 mm) JIS B2220 - 10K, SO/RF	7.88 (200)	7.88 (200)	7.88 (200)	3.74 (95)	4.50 (114)	4.41 (112)	1.77 (45)	10 (5)
0.5-in. (15 mm) JIS B2220 - 20K, SO/RF	7.88 (200)	7.88 (200)	7.88 (200)	3.74 (95)	4.50 (114)	4.41 (112)	1.77 (45)	10 (5)
0.5-in. (15 mm) GB/T9119 PN40, SO/RF	7.88 (200)	7.88 (200)	7.88 (200)	3.74 (95)	4.50 (114)	4.41 (112)	1.77 (45)	10 (5)
1-in. (25 mm) ASME - 150, SO/RF	7.88 (200)	7.88 (200)	7.88 (200)	4.25 (108)	4.50 (114)	4.41 (112)	2.00 (51)	11 (5)
1-in. (25 mm) ASME - 300, SO/RF	7.88 (200)	7.88 (200)	7.88 (200)	4.88 (124)	4.50 (114)	4.41 (112)	2.00 (51)	14 (6)
1-in. (25 mm) EN 1092-1 - PN40, SO/RF	7.88 (200)	7.88 (200)	7.88 (200)	4.53 (115)	4.50 (114)	4.41 (112)	2.68 (68)	14 (6)
1-in. (25 mm) AS 2129 table D, SO/RF	7.88 (200)	7.88 (200)	7.88 (200)	4.53 (115)	4.50 (114)	4.41 (112)	2.56 (65)	10 (5)
1-in. (25 mm) AS 2129 table E, SO/RF	7.88 (200)	7.88 (200)	7.88 (200)	4.53 (115)	4.50 (114)	4.41 (112)	2.48 (63)	10 (5)
1-in. (25mm) JISB2220-10K,SO/RF	7.88 (200)	7.88 (200)	7.88 (200)	4.92 (125)	4.50 (114)	4.41 (112)	2.64 (67)	13 (6)
1-in. (25 mm) JIS B2220 - 20K, SO/RF	7.88 (200)	7.88 (200)	7.88 (200)	4.92 (125)	4.50 (114)	4.41 (112)	2.64 (67)	14 (6)
1-in. (25 mm) GB/T9119 PN40, SO/RF	7.88 (200)	7.88 (200)	7.88 (200)	4.53 (115)	4.50 (114)	4.41 (112)	2.68 (68)	14 (6)
1.5-in (40 mm) ASME - 150, SO/RF	7.87 (200)	7.80 (198)	7.87 (200)	5.00 (127)	5.21 (132)	4.82 (122)	2.88 (73)	15 (7)
1.5-in. (40 mm) ASME - 300, SO/RF	7.87 (200)	7.80 (198)	7.87 (200)	6.12 (155)	5.21 (132)	4.82 (122)	2.88 (73)	21 (9)
1.5-in. (40 mm) EN 1092-1 - PN40, SO/RF	7.87 (200)	7.80 (198)	7.87 (200)	5.91 (150)	5.21 (132)	4.82 (122)	3.46 (88)	19 (9)
1.5-in. (40 mm) AS 2129 table D, SO/RF	7.87 (200)	7.80 (198)	7.87 (200)	5.31 (135)	5.21 (132)	4.82 (122)	3.07 (78)	12 (6)
1.5-in. (40 mm) AS 2129 table E, SO/RF	7.87 (200)	7.80 (198)	7.87 (200)	5.31 (135)	5.21 (132)	4.82 (122)	3.07 (78)	13 (6)
1.5-in. (40 mm) JIS B2220 - 10K, SO/RF	7.87 (200)	7.80 (198)	7.87 (200)	5.51 (140)	5.21 (132)	4.82 (122)	3.19 (81)	16 (7)

**Table 47: Raised face flanged sensor ½ - to 2½ -in. (15 mm to 65 mm) dimensions (continued)**

Size, description	Overall length			Dim B	Dim C	Dim D	Dim J	Flow tube wgt (lbs./ kg)
	Dim A PTFE	Dim A Neo-prene	Dim A Poly					
1.5-in. (40 mm) JIS B2220 - 20K, SO/RF	7.87 (200)	7.80 (198)	7.87 (200)	5.51 (140)	5.21 (132)	4.82 (122)	3.19 (81)	17 (8)
1.5-in. (40 mm) GB/T9119 PN40, SO/RF	7.87 (200)	7.80 (198)	7.87 (200)	5.91 (150)	5.21 (132)	4.82 (122)	3.46 (88)	19 (9)
2-in. (50 mm) ASME - 150, SO/RF	7.87 (200)	7.80 (198)	7.87 (200)	6.00 (152)	5.21 (132)	4.82 (122)	3.62 (92)	20 (9)
2-in. (50 mm) ASME - 300, SO/RF	7.87 (200)	7.80 (198)	7.87 (200)	6.50 (165)	5.21 (132)	4.82 (122)	3.62 (92)	23 (11)
2-in. (50 mm) EN 1092-1 - PN40, SO/RF	7.87 (200)	7.80 (198)	7.87 (200)	6.50 (165)	5.21 (132)	4.82 (122)	4.02 (102)	24 (11)
2-in. (50 mm) AS 2129 table D, SO/RF	7.87 (200)	7.80 (198)	7.87 (200)	5.91 (150)	5.21 (132)	4.82 (122)	3.54 (90)	14 (6)
2-in. (50 mm) AS 2129 table E, SO/RF	7.87 (200)	7.80 (198)	7.87 (200)	5.91 (150)	5.21 (132)	4.82 (122)	3.54 (90)	15 (7)
2-in. (50 mm) JIS B2220 - 10K, SO/RF	7.87 (200)	7.80 (198)	7.87 (200)	6.10 (155)	5.21 (132)	4.82 (122)	3.78 (96)	18 (8)
2-in. (50 mm) JIS B2220 - 20K, SO/RF	7.87 (200)	7.80 (198)	7.87 (200)	6.10 (155)	5.21 (132)	4.82 (122)	3.78 (96)	19 (9)
2-in. (50 mm) AS 4087 PN16, SO/RF	7.87 (200)	7.80 (198)	7.87 (200)	5.91 (150)	5.21 (132)	4.82 (122)	3.54 (90)	16 (7)
2-in. (50 mm) AS 4087 PN21, SO/RF	7.87 (200)	7.80 (198)	7.87 (200)	6.50 (165)	5.21 (132)	4.82 (122)	4.06 (103)	34 (16)
2-in. (50 mm) AS 4087 PN35, SO/RF	7.87 (200)	7.80 (198)	7.87 (200)	6.50 (165)	5.21 (132)	4.82 (122)	4.06 (103)	96 (44)
2-in. (50 mm) GB/T9119 PN40, SO/RF	7.87 (200)	7.80 (198)	7.87 (200)	6.50 (165)	5.21 (132)	4.82 (122)	4.02 (102)	23 (11)
2.5-in. (65 mm) ASME - 150, SO/RF	7.82 (199)	7.76 (197)	N/A	7.00 (178)	6.31 (160)	5.37 (136)	4.12 (105)	27 (12)
2.5-in. (65 mm) ASME - 300, SO/RF	7.82 (199)	7.76 (197)	N/A	7.50 (191)	6.31 (160)	5.37 (136)	4.12 (105)	32 (15)
2.5-in. (65 mm) EN 1092-1 - PN16, SO/RF	7.82 (199)	7.76 (197)	N/A	7.28 (185)	6.31 (160)	5.37 (136)	4.80 (122)	27 (12)
2.5-in. (65 mm) EN 1092-1 - PN40, SO/RF	7.82 (199)	7.76 (197)	N/A	7.28 (185)	6.31 (160)	5.37 (136)	4.80 (122)	31 (14)
2.5-in. (65 mm) AS 2129 table D, SO/RF	7.82 (199)	7.76 (197)	N/A	6.50 (165)	6.31 (160)	5.37 (136)	4.06 (103)	17 (8)
2.5-in. (65 mm) AS 2129 table E, SO/RF	7.82 (199)	7.76 (197)	N/A	6.50 (165)	6.31 (160)	5.37 (136)	4.06 (103)	19 (9)
2.5-in. (65 mm) JIS B2220 - 10K, SO/RF	7.82 (199)	7.76 (197)	N/A	6.89 (175)	6.31 (160)	5.37 (136)	4.57 (116)	25 (11)
2.5-in. (65 mm) JIS B2220 - 20K, SO/RF	7.82 (199)	7.76 (197)	N/A	6.89 (175)	6.31 (160)	5.37 (136)	4.57 (116)	26 (12)
2.5-in. (65 mm) AS 4087 PN16, SO/RF	7.82 (199)	7.76 (197)	N/A	6.50 (165)	6.31 (160)	5.37 (136)	4.06 (103)	18 (8)

**Table 47: Raised face flanged sensor ½ - to 2½ -in. (15 mm to 65 mm) dimensions (continued)**

Size, description	Overall length			Dim B	Dim C	Dim D	Dim J	Flow tube wgt (lbs./ kg)
	Dim A PTFE	Dim A Neo-prene	Dim A Poly					
2.5-in. (65 mm) AS 4087 PN21, SO/RF	7.82 (199)	7.76 (197)	N/A	7.28 (185)	6.31 (160)	5.37 (136)	4.80 (122)	24 (11)
2.5-in. (65 mm) AS 4087 PN35, SO/RF	7.82 (199)	7.76 (197)	N/A	7.28 (185)	6.31 (160)	5.37 (136)	4.80 (122)	27 (12)
2.5-in. (65 mm) GB/T9119 PN40, SO/RF	7.82 (199)	7.76 (197)	N/A	7.28 (185)	6.31 (160)	5.37 (136)	4.80 (122)	31 (14)

**Figure 11: Raised face flanged sensor 3-in to 48-in. (75 mm to 1200 mm)**

- F – Flange bolts to straddle center line

**Table 48: Raised face flanged Sensor 3- to 6-in. (75 mm to 150 mm) dimensions**

Size, description	Overall length			Dim B	Dim C	Dim D	Dim J	Dim K	Flow tube wgt (lbs./ kg)
	Dim A PTFE	Dim A Neo-prene	Dim A Poly						
3-in. (80 mm) ASME - 150, SO/RF	7.87 (200)	7.75 (197)	7.87 (200)	7.50 (191)	7.21 (183)	5.82 (148)	5.00 (127)	1.70 (43)	34 (15)
3-in. (80 mm) ASME - 300, SO/RF	8.63 (219)	8.51 (216)	8.63 (219)	8.25 (210)	7.21 (183)	5.82 (148)	5.00 (127)	1.70 (43)	43 (19)
3-in. (80 mm) EN 1092-1 - PN40, SO/RF	7.87 (200)	7.75 (197)	7.87 (200)	7.87 (200)	7.21 (183)	5.82 (148)	5.43 (138)	1.70 (43)	38 (17)
3-in. (80 mm) AS 2129 table D, SO/RF	7.87 (200)	7.75 (197)	7.87 (200)	7.28 (185)	7.21 (183)	5.82 (148)	4.80 (122)	1.70 (43)	24 (11)
3-in. (80 mm) AS 2129 table E, SO/RF	7.87 (200)	7.75 (197)	7.87 (200)	7.28 (185)	7.21 (183)	5.82 (148)	4.80 (122)	1.70 (43)	25 (11)
3-in. (80 mm) JIS - 10K, SO/RF	7.87 (200)	7.75 (197)	7.87 (200)	7.28 (185)	7.21 (183)	5.82 (148)	4.96 (126)	1.70 (43)	28 (13)
3-in. (80 mm) JIS - 20K, SO/RF	7.87 (200)	7.75 (197)	7.87 (200)	7.87 (200)	7.21 (183)	5.82 (148)	5.20 (132)	1.70 (43)	34 (16)

**Table 48: Raised face flanged Sensor 3- to 6-in. (75 mm to 150 mm) dimensions (continued)**

Size, description	Overall length			Dim B	Dim C	Dim D	Dim J	Dim K	Flow tube wgt (lbs./kg)
	Dim A PTFE	Dim A Neo-prene	Dim A Poly						
3-in. (80 mm) AS 4087 PN16, SO/RF	7.87 (200)	7.75 (197)	7.87 (200)	7.28 (185)	7.21 (183)	5.82 (148)	4.80 (122)	1.70 (43)	20 (9)
3-in. (80 mm) AS 4087 PN21, SO/RF	7.87 (200)	7.75 (197)	7.87 (200)	8.07 (205)	7.21 (183)	5.82 (148)	5.55 (141)	1.70 (43)	56 (25)
3-in. (80 mm) AS 4087 PN35, SO/RF	7.87 (200)	7.75 (197)	7.87 (200)	8.07 (205)	7.21 (183)	5.82 (148)	5.55 (141)	1.70 (43)	109 (49)
3-in. (80 mm) GB/T9119 PN40, SO/RF	7.87 (200)	7.75 (197)	7.87 (200)	7.87 (200)	7.21 (183)	5.82 (148)	5.43 (138)	1.70 (43)	37 (17)
4-in. (100 mm) ASME - 150, SO/RF	9.84 (250)	9.69 (246)	9.84 (250)	9.00 (229)	7.91 (201)	6.17 (157)	6.19 (157)	1.70 (43)	45 (20)
4-in. (100 mm) ASME - 300, SO/RF	10.88 (276)	10.73 (273)	10.88 (276)	10.00 (254)	7.91 (201)	6.17 (157)	6.19 (157)	1.70 (43)	65 (29)
4-in. (100 mm) EN 1092-1 - PN16, SO/RF	9.84 (250)	9.69 (246)	9.84 (250)	8.66 (220)	7.91 (201)	6.17 (157)	6.22 (159)	1.70 (43)	41 (19)
4-in. (100 mm) EN 1092-1 - PN40, SO/RF	9.84 (250)	9.69 (246)	9.84 (250)	9.25 (235)	7.91 (201)	6.17 (157)	6.38 (162)	1.70 (43)	49 (22)
4-in. (100 mm) AS 2129 table D, SO/RF	9.84 (250)	9.69 (246)	9.84 (250)	8.46 (215)	7.91 (201)	6.17 (157)	6.06 (154)	1.70 (43)	31 (14)
4-in. (100 mm) AS 2129 table E, SO/RF	9.84 (250)	9.69 (246)	9.84 (250)	8.46 (215)	7.91 (201)	6.17 (157)	6.06 (154)	1.70 (43)	33 (15)
4-in. (100 mm) JIS - 10K, SO/RF	9.84 (250)	9.69 (246)	9.84 (250)	8.27 (210)	7.91 (201)	6.17 (157)	5.95 (151)	1.70 (43)	35 (16)
4-in. (100 mm) JIS - 20K, SO/RF	9.84 (250)	9.69 (246)	9.84 (250)	8.86 (225)	7.91 (201)	6.17 (157)	6.30 (160)	1.70 (43)	44 (20)
4-in. (100 mm) AS 4087 PN16, SO/RF	9.84 (250)	9.69 (246)	9.84 (250)	8.46 (215)	7.91 (201)	6.17 (157)	6.06 (154)	1.70 (43)	28 (13)
4-in. (100 mm) AS 4087 PN21, SO/RF	9.84 (250)	9.69 (246)	9.84 (250)	9.05 (230)	7.91 (201)	6.17 (157)	6.57 (167)	1.70 (43)	68 (31)
4-in. (100 mm) AS 4087 PN35, SO/RF	9.84 (250)	9.69 (246)	9.84 (250)	9.05 (230)	7.91 (201)	6.17 (157)	6.57 (167)	1.70 (43)	119 (54)
4-in. (100 mm) GB/T9119 PN16, SO/RF	9.84 (250)	9.69 (246)	9.84 (250)	8.66 (220)	7.91 (201)	6.17 (157)	6.22 (158)	1.70 (43)	41 (19)
4-in. (100 mm) GB/T9119 PN40, SO/RF	9.84 (250)	9.69 (246)	9.84 (250)	9.25 (235)	7.91 (201)	6.17 (157)	6.38 (162)	1.70 (43)	49 (22)
5-in. (125 mm) ASME - 150, SO/RF	9.79 (249)	9.71 (247)	N/A	10.00 (254)	9.61 (244)	7.02 (178)	7.31 (186)	1.70 (43)	54 (24)
5-in. (125 mm) ASME - 300, SO/RF	10.94 (278)	10.86 (276)	N/A	11.00 (279)	9.61 (244)	7.02 (178)	7.31 (186)	1.70 (43)	89 (40)
5-in. (125 mm) EN 1092-1 - PN16, SO/RF	9.79 (249)	9.50 (241)	N/A	9.84 (250)	9.61 (244)	7.02 (178)	7.40 (188)	1.70 (43)	55 (25)
5-in. (125 mm) EN 1092-1 - PN40, SO/RF	9.79 (249)	9.71 (247)	N/A	10.63 (270)	9.61 (244)	7.02 (178)	7.40 (188)	1.70 (43)	65 (29)
5-in. (125 mm) AS 2129 table D, SO/RF	9.79 (249)	9.71 (247)	N/A	10.04 (255)	9.61 (244)	7.02 (178)	7.32 (186)	1.70 (43)	43 (20)

**Table 48: Raised face flanged Sensor 3- to 6-in. (75 mm to 150 mm) dimensions (continued)**

Size, description	Overall length			Dim B	Dim C	Dim D	Dim J	Dim K	Flow tube wgt (lbs./kg)
	Dim A PTFE	Dim A Neo-prene	Dim A Poly						
5-in. (125 mm) AS 2129 table E, SO/RF	9.79 (249)	9.71 (247)	N/A	10.04 (255)	9.61 (244)	7.02 (178)	7.31 (186)	1.70 (43)	44 (20)
5-in. (125 mm) JIS - 10K, SO/RF	9.79 (249)	9.71 (247)	N/A	9.84 (250)	9.61 (244)	7.02 (178)	7.17 (182)	1.70 (43)	49 (22)
5-in. (125 mm) JIS - 20K, SO/RF	9.79 (249)	9.71 (247)	N/A	10.63 (270)	9.61 (244)	7.02 (178)	7.68 (195)	1.70 (43)	64 (29)
5-in. (125 mm) GB/T9119 PN16, SO/RF	9.79 (249)	9.50 (241)	N/A	9.84 (250)	9.61 (244)	7.02 (178)	7.40 (188)	1.70 (43)	51 (23)
5-in. (125 mm) GB/T9119 PN40, SO/RF	9.79 (249)	9.71 (247)	N/A	10.63 (270)	9.61 (244)	7.02 (178)	7.40 (188)	1.70 (43)	60 (27)
6-in. (150 mm) ASME - 150, SO/RF	11.81 (300)	11.61 (295)	11.73 (298)	11.00 (279)	9.98 (253)	7.30 (185)	8.50 (216)	1.70 (43)	68 (31)
6-in. (150 mm) ASME - 300, SO/RF	13.06 (302)	12.88 (327)	13.00 (330)	12.50 (318)	9.98 (253)	7.30 (185)	8.50 (216)	1.70 (43)	117 (53)
6-in. (150 mm) EN 1092-1 - PN16, SO/RF	11.81 (300)	11.61 (295)	11.73 (298)	11.22 (285)	9.98 (253)	7.30 (185)	8.35 (212)	1.70 (43)	67 (31)
6-in. (150 mm) EN 1092-1 - PN40, SO/RF	13.06 (332)	12.88 (327)	13.00 (330)	11.81 (300)	9.98 (253)	7.30 (185)	8.58 (218)	1.70 (43)	95 (43)
6-in. (150 mm) AS 2129 table D, SO/RF	11.81 (300)	11.61 (295)	11.73 (298)	11.02 (280)	9.98 (253)	7.30 (185)	8.31 (211)	1.70 (43)	52 (24)
6-in. (150 mm) AS 2129 table E, SO/RF	11.81 (300)	11.61 (295)	11.73 (298)	11.02 (280)	9.98 (253)	7.30 (185)	8.15 (207)	1.70 (43)	57 (26)
6-in. (150 mm) JIS - 10K, SO/RF	11.81 (300)	11.61 (295)	11.73 (298)	11.02 (280)	9.98 (253)	7.30 (185)	8.35 (212)	1.70 (43)	64 (29)
6-in. (150 mm) JIS - 20K, SO/RF	11.81 (300)	11.61 (295)	11.73 (298)	12.01 (305)	9.98 (253)	7.30 (185)	9.06 (230)	1.70 (43)	82 (37)
6-in. (150 mm) AS 4087 PN16,SO/RF	11.81 (300)	11.61 (295)	11.73 (298)	11.02 (280)	9.98 (253)	7.30 (185)	8.31 (211)	1.70 (43)	46 (21)
6-in. (150 mm) AS 4087 PN21,SO/RF	11.81 (300)	11.61 (295)	11.73 (298)	12.01 (305)	9.98 (253)	7.30 (185)	9.13 (232)	1.70 (43)	98 (45)
6-in. (150 mm) AS 4087 PN35, SO/RF	11.81 (300)	11.61 (295)	11.73 (298)	12.01 (305)	9.98 (253)	7.30 (185)	9.13 (232)	1.70 (43)	186 (84)
6-in. (150 mm) GB/T9119 PN16, SO/RF	11.81 (300)	11.61 (295)	11.73 (298)	11.22 (285)	9.98 (253)	7.30 (185)	8.35 (212)	1.70 (43)	64 (29)
6-in. (150 mm) GB/T9119 PN40, SO/RF	13.06 (332)	12.88 (327)	13.00 (330)	11.81 (300)	9.98 (253)	7.30 (185)	8.58 (218)	1.70 (43)	94 (43)

**Table 49: Raised Face Flanged Sensor 8- to 12-in. (200 mm to 300 mm) dimensions**

Size, description	Overall length			Dim B	Dim C	Dim D	Dim J	Dim K	Flow tube wgt (lbs./kg)
	Dim A PTFE	Dim A Neo-prene	Dim A Poly						
8-in. (200 mm) ASME - 150, SO/RF	13.78 (350)	13.53 (344)	13.65 (347)	13.50 (343)	11.92 (303)	8.27 (210)	10.62 (270)	1.70 (43)	105 (48)
8-in. (200 mm) ASME - 300,SO/RF	15.60 (396)	15.42 (392)	15.54 (395)	15.00 (381)	11.92 (303)	8.27 (210)	10.62 (270)	1.70 (43)	183 (83)
8-in. (200 mm) EN 1092-1 - PN10, SO/RF	13.78 (350)	13.53 (344)	13.65 (347)	13.39 (340)	11.92 (303)	8.27 (210)	10.55 (268)	1.70 (43)	97 (44)
8-in. (200 mm) EN 1092-1 - PN16, SO/RF	13.78 (350)	13.53 (344)	13.65 (347)	13.39 (340)	11.92 (303)	8.27 (210)	10.55 (268)	1.70 (43)	96 (43)
8-in. (200 mm) EN 1092-1 - PN25, SO/RF	13.78 (350)	13.53 (344)	13.65 (347)	14.17 (360)	11.92 (303)	8.27 (210)	10.94 (278)	1.70 (43)	120 (54)
8-in. (200 mm) EN 1092-1 - PN40, SO/RF	15.60 (396)	15.42 (392)	15.54 (395)	14.76 (375)	11.92 (303)	8.27 (210)	11.22 (285)	1.70 (43)	158 (72)
8-in. (200 mm) AS 2129 table D, SO/RF	13.78 (350)	13.53 (344)	13.65 (347)	13.19 (335)	11.92 (303)	8.27 (210)	10.55 (268)	1.70 (43)	77 (35)
8-in. (200 mm) AS 2129 table E, SO/RF	13.78 (350)	13.53 (344)	13.65 (347)	13.19 (335)	11.92 (303)	8.27 (210)	10.39 (264)	1.70 (43)	86 (39)
8-in. (200 mm) JIS - 10K, SO/RF	13.78 (350)	13.53 (344)	13.65 (347)	12.99 (330)	11.92 (303)	8.27 (210)	10.32 (262)	1.70 (43)	81 (37)
8-in. (200 mm) JIS - 20K, SO/RF	15.60 (396)	15.42 (392)	15.54 (395)	13.78 (350)	11.92 (303)	8.27 (210)	10.83 (275)	1.70 (43)	134 (61)
8-in. (200 mm) AS 4087 PN16, SO/RF	13.78 (350)	13.53 (344)	13.65 (347)	13.19 (335)	11.92 (303)	8.27 (210)	10.55 (268)	1.70 (43)	73 (32)
8-in. (200 mm) AS 4087 PN21, SO/RF	13.78 (350)	13.53 (344)	13.65 (347)	14.57 (370)	11.92 (303)	8.27 (210)	11.65 (296)	1.70 (43)	136 (62)
8-in. (200 mm) AS 4087 PN35, SO/RF	15.60 (396)	15.42 (392)	15.54 (395)	14.57 (370)	11.92 (303)	8.27 (210)	10.24 (260)	1.70 (43)	241 (109)
8-in. (200 mm) GB/T9119 PN10, SO/RF	13.78 (350)	13.53 (344)	13.65 (347)	13.39 (340)	11.92 (303)	8.27 (210)	10.55 (268)	1.70 (43)	96 (43)
8-in. (200 mm) GB/T9119 PN16, SO/RF	13.78 (350)	13.53 (344)	13.65 (347)	13.39 (340)	11.92 (303)	8.27 (210)	10.55 (268)	1.70 (43)	95 (43)
8-in. (200 mm) GB/T9119 PN40, SO/RF	15.60 (396)	15.42 (392)	15.54 (395)	14.76 (375)	11.92 (303)	8.27 (210)	11.22 (285)	1.70 (43)	154 (70)
10-in. (250 mm) ASME - 150, SO/RF	17.98 (457)	17.61 (447)	17.73 (450)	16.00 (406)	13.12 (333)	8.91 (226)	12.75 (324)	2.00 (51)	138 (63)
10-in. (250 mm) ASME - 300,SO/RF	17.88 (454)	17.61 (447)	17.73 (450)	17.50 (445)	13.12 (333)	8.91 (226)	12.75 (324)	2.00 (51)	247 (112)
10-in. (250 mm) EN 1092-1 - PN10, SO/RF	17.98 (457)	17.61 (447)	17.73 (450)	15.55 (395)	13.12 (333)	8.91 (226)	12.60 (320)	2.00 (51)	122 (55)
10-in. (250 mm) EN 1092-1 - PN16, SO/RF	17.98 (457)	17.61 (447)	17.73 (450)	15.94 (405)	13.12 (333)	8.91 (226)	12.60 (320)	2.00 (51)	126 (57)
10-in. (250 mm) EN 1092-1 - PN25, SO/RF	17.98 (457)	17.61 (447)	17.73 (450)	16.73 (425)	13.12 (333)	8.91 (226)	13.19 (335)	2.00 (51)	158 (72)
10-in. (250 mm) EN 1092-1 - PN40, SO/RF	17.98 (457)	17.61 (447)	17.73 (450)	17.72 (450)	13.12 (333)	8.91 (226)	13.58 (345)	2.00 (51)	221 (100)

**Table 49: Raised Face Flanged Sensor 8- to 12-in. (200 mm to 300 mm) dimensions (continued)**

Size, description	Overall length			Dim B	Dim C	Dim D	Dim J	Dim K	Flow tube wgt (lbs./kg)
	Dim A PTFE	Dim A Neo-prene	Dim A Poly						
10-in. (250 mm) AS 2129 table D, SO/RF	17.98 (457)	17.61 (447)	17.73 (450)	15.94 (405)	13.12 (333)	8.91 (226)	12.91 (328)	2.00 (51)	112 (51)
10-in. (250 mm) AS 2129 table E, SO/RF	17.98 (457)	17.61 (447)	17.73 (450)	15.94 (405)	13.12 (333)	8.91 (226)	12.91 (328)	2.00 (51)	127 (57)
10-in. (250 mm) JIS B2220 - 10K, SO/RF	17.98 (457)	17.61 (447)	17.73 (450)	15.75 (430)	13.12 (333)	8.91 (226)	12.76 (324)	2.00 (51)	118 (53)
10-in. (250 mm) AS 4087 PN16, SO/RF	17.98 (457)	17.61 (447)	17.73 (450)	15.94 (405)	13.12 (333)	8.91 (226)	12.91 (328)	2.00 (51)	168 (76)
10-in. (250 mm) AS 4087 PN21, SO/RF	17.98 (457)	17.61 (447)	17.73 (450)	16.93 (395)	13.12 (333)	8.91 (226)	13.74 (349)	2.00 (51)	258 (117)
10-in. (250) AS 4087 PN35, SO/RF	17.88 (454)	17.61 (447)	17.73 (450)	16.93 (395)	13.12 (333)	8.91 (226)	12.24 (311)	2.00 (51)	333 (151)
10-in. (250 mm) GB/T 9119 PN10, SO/RF	17.98 (457)	17.61 (447)	17.73 (450)	15.55 (395)	13.12 (333)	8.91 (226)	12.60 (320)	2.00 (51)	105 (48)
10-in. (250 mm) GB/T 9119 PN16, SO/RF	17.98 (457)	17.61 (447)	17.73 (450)	15.94 (405)	13.12 (333)	8.91 (226)	12.60 (320)	2.00 (51)	117 (53)
10-in. (250 mm) GB/T 9119 PN40, SO/RF	17.88 (454)	17.61 (447)	17.73 (450)	17.72 (450)	13.12 (333)	8.91 (226)	13.58 (345)	2.00 (51)	213 (97)
12-in. (300 mm) ASME - 150, SO/RF	19.91 (506)	19.58 (497)	19.70 (500)	19.00 (483)	15.12 (384)	9.91 (252)	15.00 (381)	2.00 (51)	238 (108)
12-in. (300 mm) ASME - 300, SO/RF	19.92 (506)	19.58 (497)	19.70 (500)	20.50 (521)	15.12 (384)	9.91 (252)	15.00 (381)	2.00 (51)	346 (157)
12-in. (300 mm) EN 1092-1 - PN10, SO/RF	19.91 (506)	19.58 (497)	19.70 (500)	17.52 (445)	15.12 (384)	9.91 (252)	14.57 (370)	2.00 (51)	187 (85)
12-in. (300 mm) EN 1092-1 - PN16, SO/RF	19.91 (506)	19.58 (497)	19.70 (500)	18.11 (460)	15.12 (384)	9.91 (252)	14.88 (378)	2.00 (51)	198 (90)
12-in. (300 mm) EN 1092-1 - PN25, SO/RF	19.91 (506)	19.58 (497)	19.70 (500)	19.09 (485)	15.12 (384)	9.91 (252)	15.55 (395)	2.00 (51)	243 (110)
12-in. (300 mm) EN 1092-1 - PN40, SO/RF	19.92 (506)	19.58 (497)	19.70 (500)	20.28 (515)	15.12 (384)	9.91 (252)	16.14 (410)	2.00 (51)	340 (154)
12-in. (300 mm) AS 2129 table D, SO/RF	19.91 (506)	19.58 (497)	19.70 (500)	17.91 (455)	15.12 (384)	9.91 (252)	14.88 (378)	2.00 (51)	185 (84)
12-in. (300 mm) AS 2129 table E, SO/RF	19.91 (506)	19.58 (497)	19.70 (500)	17.91 (455)	15.12 (384)	9.91 (252)	14.72 (374)	2.00 (51)	197 (89)
12-in. (300 mm) JIS B2220 - 10K, SO/RF	19.91 (506)	19.58 (497)	19.70 (500)	17.52 (445)	15.12 (384)	9.91 (252)	14.49 (368)	2.00 (51)	178 (81)
12-in. (300 mm) AS 4087 PN16, SO/RF	19.91 (506)	19.58 (497)	19.70 (500)	17.91 (455)	15.12 (384)	9.91 (252)	14.88 (378)	2.00 (51)	264 (120)
12-in. (300 mm) AS 4087 PN21, SO/RF	19.91 (506)	19.58 (497)	19.70 (500)	19.29 (490)	15.12 (384)	9.91 (252)	15.98 (406)	2.00 (51)	361 (164)
12-in. (300 mm) AS 4087 PN35, SO/RF	19.92 (506)	19.58 (497)	19.70 (500)	19.29 (490)	15.12 (384)	9.91 (252)	14.25 (362)	2.00 (51)	452 (205)
12-in. (300 mm) GB/T 9119 PN10, SO/RF	19.91 (506)	19.58 (497)	19.70 (500)	17.52 (445)	15.12 (384)	9.91 (252)	14.57 (370)	2.00 (51)	185 (84)



**Table 49: Raised Face Flanged Sensor 8- to 12-in. (200 mm to 300 mm) dimensions (continued)**

Size, description	Overall length			Dim B	Dim C	Dim D	Dim J	Dim K	Flow tube wgt (lbs./kg)
	Dim A PTFE	Dim A Neo-prene	Dim A Poly						
12-in. (300 mm) GB/T 9119 PN16, SO/RF	19.91 (506)	19.58 (497)	19.70 (500)	18.11 (460)	15.12 (384)	9.91 (252)	14.88 (378)	2.00 (51)	204 (92)
12-in. (300 mm) GB/T 9119 PN40, SO/RF	19.92 (506)	19.58 (497)	19.70 (500)	20.28 (515)	15.12 (384)	9.91 (252)	16.14 (410)	2.00 (51)	343 (156)

**Table 50: Raised face flanged sensor 14- to 18-in. (350 mm to 450 mm) dimensions**

Size, description	Overall length			Dim B	Dim C	Dim D	Dim J	Dim K	Flow tube wgt (lbs./kg)
	Dim A PTFE	Dim A Neo-prene	Dim A Poly						
14-in. (350 mm) ASME - 150,SO/RF	21.75 (553)	21.55 (547)	21.67 (550)	21.00 (533)	16.38 (416)	10.54 (268)	16.25 (413)	2.00 (51)	251 (114)
14-in. (350 mm) ASME - 300, SO/RF	21.75 (553)	21.55 (547)	21.67 (550)	23.00 (584)	16.38 (416)	10.54 (268)	16.25 (413)	2.00 (51)	453 (205)
14-in. (350 mm) EN 1092-1 - PN10, SO/RF	21.75 (553)	21.55 (547)	21.67 (550)	19.88 (505)	16.38 (416)	10.54 (268)	16.93 (430)	2.00 (51)	198 (90)
14-in. (350 mm) EN 1092-1 - PN16, SO/RF	21.75 (553)	21.55 (547)	21.67 (550)	20.47 (520)	16.38 (416)	10.54 (268)	17.24 (438)	2.00 (51)	221 (100)
14-in. (350 mm) EN 1092-1 - PN25, SO/RF	21.75 (553)	21.55 (547)	21.67 (550)	21.85 (555)	16.38 (416)	10.54 (268)	17.72 (450)	2.00 (51)	297 (135)
14-in. (350 mm) EN 1092-1 - PN40, SO/RF	21.75 (553)	21.55 (547)	21.67 (550)	22.83 (580)	16.38 (416)	10.54 (268)	18.31 (465)	2.00 (51)	404 (183)
14-in. (350 mm) AS 2129 table D, SO/RF	21.75 (553)	21.55 (547)	21.67 (550)	20.67 (525)	16.38 (416)	10.54 (268)	17.24 (438)	2.00 (51)	181 (82)
14-in. (350 mm) AS 2129 table E, SO/RF	21.75 (553)	21.55 (547)	21.67 (550)	20.67 (525)	16.38 (416)	10.54 (268)	17.24 (438)	2.00 (51)	207 (94)
14-in. (350 mm) JIS B2220 - 10K, SO/RF	21.75 (553)	21.55 (547)	21.67 (550)	19.29 (490)	16.38 (416)	10.54 (268)	16.26 (413)	2.00 (51)	170 (77)
14-in. (350 mm) AS 4087 PN16,SO/RF	21.75 (553)	21.55 (547)	21.67 (550)	20.67 (525)	16.38 (416)	10.54 (268)	17.24 (438)	2.00 (51)	367 (167)
14-in. (350mm) AS4087 PN21,SO/RF	21.75 (553)	21.55 (547)	21.67 (550)	21.65 (550)	16.38 (416)	10.54 (268)	18.07 (459)	2.00 (51)	409 (186)
14-in. (350 mm) AS 4087 PN35, SO/RF	21.75 (553)	21.55 (547)	21.67 (550)	21.65 (550)	16.38 (416)	10.54 (268)	16.50 (419)	2.00 (51)	622 (282)
14-in. (350 mm) GB/T 9119 PN10, SO/RF	21.75 (553)	21.55 (547)	21.67 (550)	19.88 (505)	16.38 (416)	10.54 (268)	16.93 (430)	2.00 (51)	192 (87)
14-in. (350 mm) GB/T 9119 PN16, SO/RF	21.75 (553)	21.55 (547)	21.67 (550)	20.47 (520)	16.38 (416)	10.54 (268)	17.24 (438)	2.00 (51)	219 (99)
14-in. (350 mm) GB/T 9119 PN40, SO/RF	21.75 (553)	21.55 (547)	21.67 (550)	22.83 (580)	16.38 (416)	10.54 (268)	18.31 (465)	2.00 (51)	421 (191)
16-in. (400 mm) ASME - 150, SO/RF	23.71 (602)	23.51 (597)	23.63 (600)	23.50 (597)	18.40 (467)	11.55 (293)	18.50 (470)	3.13 (80)	346 (157)

**Table 50: Raised face flanged sensor 14- to 18-in. (350 mm to 450 mm) dimensions (continued)**

Size, description	Overall length			Dim B	Dim C	Dim D	Dim J	Dim K	Flow tube wgt (lbs./kg)
	Dim A PTFE	Dim A Neo-prene	Dim A Poly						
16-in. (400 mm) ASME - 300,SO/RF	23.71 (602)	23.51 (597)	23.63 (600)	25.50 (648)	18.40 (467)	11.55 (293)	18.50 (470)	3.13 (80)	632 (287)
16-in. (400 mm) EN 1092-1 - PN10, SO/RF	23.71 (602)	23.51 (597)	23.63 (600)	22.24 (565)	18.40 (467)	11.55 (293)	18.98 (482)	3.13 (80)	272 (123)
16-in. (400 mm) EN 1092-1 - PN16, SO/RF	23.71 (602)	23.51 (597)	23.63 (600)	22.83 (580)	18.40 (467)	11.55 (293)	19.28 (490)	3.13 (80)	306 (139)
16-in. (400 mm) EN 1092-1 - PN25, SO/RF	23.71 (602)	23.51 (597)	23.63 (600)	24.41 (620)	18.40 (467)	11.55 (293)	19.88 (505)	3.13 (80)	498 (226)
16-in. (400 mm) EN 1092-1 - PN40, SO/RF	23.71 (602)	23.51 (597)	23.63 (600)	25.98 (660)	18.40 (467)	11.55 (293)	21.06 (535)	3.13 (80)	606 (275)
16-in. (400 mm) AS 2129 table D, SO/RF	23.71 (602)	23.51 (597)	23.63 (600)	22.83 (580)	18.40 (467)	11.55 (293)	19.25 (489)	3.13 (80)	243 (110)
16-in. (400 mm) AS 2129 table E, SO/RF	23.71 (602)	23.51 (597)	23.63 (600)	22.83 (580)	18.40 (467)	11.55 (293)	19.25 (489)	3.13 (80)	287 (130)
16-in. (400 mm) JIS B2220 - 10K, SO/RF	23.71 (602)	23.51 (597)	23.63 (600)	22.05 (560)	18.40 (467)	11.55 (293)	18.70 (475)	3.13 (80)	250 (114)
16-in. (400 mm) AS 4087 PN16, SO/RF	23.71 (602)	23.51 (597)	23.63 (600)	22.83 (580)	18.40 (467)	11.55 (293)	19.25 (489)	3.13 (80)	458 (208)
16-in. (400 mm) AS 4087 PN21,SO/RF	23.71 (602)	23.51 (597)	23.63 (600)	24.02 (610)	18.40 (467)	11.55 (293)	20.31 (516)	3.13 (80)	603 (273)
16-in. (400 mm) AS 4087 PN35, SO/RF	23.71 (602)	23.51 (597)	23.63 (600)	24.02 (610)	18.40 (467)	11.55 (293)	19.02 (483)	3.13 (80)	804 (364)
16-in. (400 mm) GB/T 9119 PN10, SO/RF	23.71 (602)	23.51 (597)	23.63 (600)	22.24 (565)	18.40 (467)	11.55 (293)	18.98 (482)	3.13 (80)	241 (109)
16-in. (400 mm) GB/T 9119 PN16, SO/RF	23.71 (602)	23.51 (597)	23.63 (600)	22.83 (580)	18.40 (467)	11.55 (293)	19.28 (490)	3.13 (80)	303 (137)
16-in. (400 mm) GB/T 9119 PN40, SO/RF	23.71 (602)	23.51 (597)	23.63 (600)	25.98 (660)	18.40 (467)	11.55 (293)	21.06 (535)	3.13 (80)	636 (289)
18-in. (450 mm) ASME - 150, SO/RF	23.46 (596)	23.51 (597)	23.38 (594)	25.00 (635)	20.42 (519)	12.57 (319)	21.00 (533)	3.13 (80)	440 (200)
18-in. (450 mm) ASME - 300, SO/RF	23.46 (596)	23.51 (597)	23.38 (594)	28.00 (711)	20.42 (519)	12.57 (319)	21.00 (533)	3.13 (80)	849 (385)
18-in. (450 mm) EN 1092-1 - PN10, SO/RF	23.46 (596)	23.51 (597)	23.38 (594)	24.21 (615)	20.42 (519)	12.57 (319)	20.94 (532)	3.13 (80)	370 (168)
18-in. (450 mm) EN 1092-1 - PN16, SO/RF	23.46 (596)	23.51 (597)	23.38 (594)	25.20 (640)	20.42 (519)	12.57 (319)	21.65 (550)	3.13 (80)	423 (192)
18-in. (450 mm) EN 1092-1 - PN25, SO/RF	23.46 (596)	23.51 (597)	23.38 (594)	26.38 (670)	20.42 (519)	12.57 (319)	21.85 (555)	3.13 (80)	686 (312)
18-in. (450 mm) EN 1092-1 - PN40, SO/RF	23.46 (596)	23.51 (597)	23.38 (594)	26.97 (685)	20.42 (519)	12.57 (319)	22.05 (560)	3.13 (80)	759 (345)
18-in. (450 mm) AS 2129 table D, SO/RF	23.46 (596)	23.51 (597)	23.38 (594)	25.20 (640)	20.42 (519)	12.57 (319)	20.94 (532)	3.13 (80)	345 (156)
18-in. (450 mm) AS 2129 table E, SO/RF	23.46 (596)	23.51 (597)	23.38 (594)	25.20 (640)	20.42 (519)	12.57 (319)	21.73 (552)	3.13 (80)	403 (183)

**Table 50: Raised face flanged sensor 14- to 18-in. (350 mm to 450 mm) dimensions (continued)**

Size, description	Overall length			Dim B	Dim C	Dim D	Dim J	Dim K	Flow tube wgt (lbs./kg)
	Dim A PTFE	Dim A Neo-prene	Dim A Poly						
18-in. (450 mm) JIS B2220 - 10K, SO/RF	23.46 (596)	23.51 (597)	23.38 (594)	24.41 (620)	20.42 (519)	12.57 (319)	20.87 (530)	3.13 (80)	362 (164)
18-in. (450 mm) JIS B2220 - 20K, SO/RF	23.46 (596)	23.51 (597)	23.38 (594)	26.58 (675)	20.42 (519)	12.57 (319)	22.05 (560)	3.13 (80)	693 (314)
18-in. (450 mm) AS 4087 PN16, SO/RF	23.46 (596)	23.51 (597)	23.38 (594)	25.20 (640)	20.42 (519)	12.57 (319)	21.73 (552)	3.13 (80)	312 (141)
18-in. (450 mm) AS 4087 PN21, SO/RF	23.46 (596)	23.51 (597)	23.38 (594)	26.58 (675)	20.42 (519)	12.57 (319)	22.48 (571)	3.13 (80)	442 (200)
18-in. (450 mm) AS 4087 PN35, SO/RF	23.46 (596)	23.51 (597)	23.38 (594)	26.58 (675)	20.42 (519)	12.57 (319)	20.98 (533)	3.13 (80)	859 (390)
18-in. (450 mm) GB/T9119 PN10, SO/RF	23.46 (596)	23.51 (597)	23.38 (594)	24.41 (620)	20.42 (519)	12.57 (319)	20.94 (532)	3.13 (80)	370 (168)
18-in. (450 mm) GB/T9119 PN16, SO/RF	23.46 (596)	23.51 (597)	23.38 (594)	25.20 (640)	20.42 (519)	12.57 (319)	21.65 (550)	3.13 (80)	423 (192)
18-in. (450 mm) GB/T9119 PN40, SO/RF	23.46 (596)	23.51 (597)	23.38 (594)	26.97 (685)	20.42 (519)	12.57 (319)	22.05 (560)	3.13 (80)	782 (355)

**Table 51: Raised face flanged sensor 20- to 36-in. (500 mm to 900 mm) dimensions**

Size, description	Overall length			Dim B	Dim C	Dim D	Dim J	Dim K	Flow tube wgt (lbs./kg)
	Dim A PTFE	Dim A Neo-prene	Dim A Poly						
20-in. (500 mm) ASME - 150, SO/RF	23.46 (596)	23.51 (597)	23.38 (594)	27.50 (699)	22.44 (570)	13.58 (345)	23.00 (584)	3.13 (80)	544 (247)
20-in. (500 mm) ASME - 300, SO/RF	23.46 (596)	23.51 (597)	23.38 (594)	30.50 (775)	22.44 (570)	13.58 (345)	23.00 (584)	3.13 (80)	1027 (466)
20-in. (500 mm) EN 1092-1 - PN10, SO/RF	23.46 (596)	23.51 (597)	23.38 (594)	26.38 (670)	22.44 (570)	13.58 (345)	23.03 (585)	3.13 (80)	448 (204)
20-in. (500 mm) EN 1092-1 - PN16, SO/RF	23.46 (596)	23.51 (597)	23.38 (594)	28.15 (715)	22.44 (570)	13.58 (345)	24.02 (610)	3.13 (80)	542 (212)
20-in. (500 mm) EN 1092-1 - PN25, SO/RF	23.46 (596)	23.51 (597)	23.38 (594)	28.74 (730)	22.44 (570)	13.58 (345)	24.21 (615)	3.13 (80)	832 (378)
20-in. (500 mm) EN 1092-1 - PN40, SO/RF	23.46 (596)	23.51 (597)	23.38 (594)	29.72 (755)	22.44 (570)	13.58 (345)	24.21 (615)	3.13 (80)	913 (414)
20-in. (500 mm) AS 2129 table D, SO/RF	23.46 (596)	23.51 (597)	23.38 (594)	27.76 (705)	22.44 (570)	13.58 (345)	23.98 (609)	3.13 (80)	446 (203)
20-in. (500 mm) AS 2129 table E, SO/RF	23.46 (596)	23.51 (597)	23.38 (594)	27.76 (705)	22.44 (570)	13.58 (345)	23.98 (609)	3.13 (80)	503 (228)
20-in. (500 mm) JIS B2220 - 10K, SO/RF	23.46 (596)	23.51 (597)	23.38 (594)	26.58 (675)	22.44 (570)	13.58 (345)	23.03 (585)	3.13 (80)	428 (195)
20-in. (500 mm) JIS B2220 - 20K, SO/RF	23.46 (596)	23.51 (597)	23.38 (594)	28.74 (730)	22.44 (570)	13.58 (345)	24.21 (615)	3.13 (80)	819 (372)

**Table 51: Raised face flanged sensor 20- to 36-in. (500 mm to 900 mm) dimensions (continued)**

Size, description	Overall length			Dim B	Dim C	Dim D	Dim J	Dim K	Flow tube wgt (lbs./kg)
	Dim A PTFE	Dim A Neo-prene	Dim A Poly						
20-in. (500 mm) AS 4087 PN16, SO/RF	23.46 (596)	23.51 (597)	23.38 (594)	27.76 (705)	22.44 (570)	13.58 (345)	23.98 (609)	3.13 (80)	428 (195)
20-in. (500 mm) AS 4087 PN21, SO/RF	23.46 (596)	23.51 (597)	23.38 (594)	28.94 (735)	22.44 (570)	13.58 (345)	24.96 (634)	3.13 (80)	602 (274)
20-in. (500 mm) AS 4087 PN35,SO/RF	23.46 (596)	23.51 (597)	23.38 (594)	28.94 (735)	22.44 (570)	13.58 (345)	23.50 (587)	3.13 (80)	974 (442)
20-in. (500 mm) GB/T9119 PN10, SO/RF	23.46 (596)	23.51 (597)	23.38 (594)	26.38 (670)	22.44 (570)	13.58 (345)	23.03 (585)	3.13 (80)	445 (202)
20-in. (500 mm) GB/T9119 PN16, SO/RF	23.46 (596)	23.51 (597)	23.38 (594)	28.15 (715)	22.44 (570)	13.58 (345)	24.02 (610)	3.13 (80)	555 (252)
20-in. (500 mm) GB/T9119 PN40, SO/RF	23.46 (596)	23.51 (597)	23.38 (594)	29.72 (755)	22.44 (570)	13.58 (345)	24.21 (615)	3.13 (80)	978 (444)
24-in. (600 mm) ASME - 150, SO/RF	23.46 (596)	23.51 (597)	23.63 (600)	32.00 (813)	26.50 (673)	15.61 (396)	27.25 (692)	3.13 (80)	634 (287)
24-in. (600 mm) ASME - 300, SO/RF	23.46 (596)	23.51 (597)	23.63 (600)	36.00 (914)	26.50 (673)	15.61 (396)	27.25 (692)	3.13 (80)	1335 (606)
24-in. (600 mm) EN 1092-1 - PN10, SO/RF	23.46 (596)	23.51 (597)	23.63 (600)	30.71 (780)	26.50 (673)	15.61 (396)	26.97 (685)	3.13 (80)	466 (211)
24-in. (600 mm) EN 1092-1 - PN16, SO/RF	23.46 (596)	23.51 (597)	23.63 (600)	33.07 (840)	26.50 (673)	15.61 (396)	28.54 (725)	3.13 (80)	665 (302)
24-in. (600 mm) EN 1092-1 - PN25, SO/RF	23.46 (596)	23.51 (597)	23.63 (600)	33.27 (845)	26.50 (673)	15.61 (396)	28.35 (720)	3.13 (80)	938 (426)
24-in. (600 mm) EN 1092-1 - PN40, SO/RF	23.46 (596)	23.51 (597)	23.63 (600)	35.04 (890)	26.50 (673)	15.61 (396)	28.94 (735)	3.13 (80)	1207 (528)
24-in. (600 mm) AS 2129 table D, SO/RF	23.46 (596)	23.51 (597)	23.63 (600)	32.48 (825)	26.50 (673)	15.61 (396)	28.35 (720)	3.13 (80)	501 (227)
24-in. (600 mm) AS 2129 table E, SO/RF	23.46 (596)	23.51 (597)	23.63 (600)	32.48 (825)	26.50 (673)	15.61 (396)	28.23 (717)	3.13 (80)	625 (283)
24-in. (600 mm) JIS B2220 - 10K, SO/RF	23.46 (596)	23.51 (597)	23.63 (600)	31.30 (795)	26.50 (673)	15.61 (396)	27.17 (690)	3.13 (80)	451 (204)
24-in. (600 mm) AS 4087 PN16, SO/RF	23.46 (596)	23.51 (597)	23.63 (600)	32.48 (825)	26.50 (673)	15.61 (396)	28.35 (720)	3.13 (80)	1133 (514)
24-in. (600 mm) AS 4087 PN21,SO/RF	23.46 (596)	23.51 (597)	23.63 (600)	33.47 (850)	26.50 (673)	15.61 (396)	29.09 (739)	3.13 (80)	1605 (728)
24-in. (600 mm) AS 4087 PN35, SO/RF	23.46 (596)	23.51 (597)	23.63 (600)	33.47 (850)	26.50 (673)	15.61 (396)	27.52 (699)	3.13 (80)	1777 (806)
24-in. (600 mm) GB/T 9119 PN10, SO/RF	23.46 (596)	23.51 (597)	23.63 (600)	30.71 (780)	26.50 (673)	15.61 (396)	26.97 (685)	3.13 (80)	486 (221)
24-in. (600 mm) GB/T 9119 PN16, SO/RF	23.46 (596)	23.51 (597)	23.63 (600)	33.07 (840)	26.50 (673)	15.61 (396)	28.54 (725)	3.13 (80)	669 (304)
24-in. (600 mm) GB/T 9119 PN40, SO/RF	23.46 (596)	23.51 (597)	23.63 (600)	35.04 (890)	26.50 (673)	15.61 (396)	28.94 (735)	3.13 (80)	1282 (581)
30-in. (750 mm) AS 2129 table D, SO/RF	29.34 (745)	29.39 (747)	29.26 (743)	39.17 (995)	33.00 (838)	16.38 (416)	34.96 (888)	3.13 (80)	929 (421)

**Table 51: Raised face flanged sensor 20- to 36-in. (500 mm to 900 mm) dimensions (continued)**

Size, description	Overall length			Dim B	Dim C	Dim D	Dim J	Dim K	Flow tube wgt (lbs./kg)
	Dim A PTFE	Dim A Neo-prene	Dim A Poly						
30-in. (750 mm) AS 2129 table E, SO/RF	29.34 (745)	29.39 (747)	29.26 (743)	39.17 (995)	33.00 (838)	16.38 (416)	33.75 (857)	3.13 (80)	1059 (480)
30-in. (750 mm) AS 4087 PN16, SO/RF	29.34 (745)	29.39 (747)	29.26 (743)	39.17 (995)	33.00 (838)	16.38 (416)	34.96 (888)	3.13 (80)	975 (442)
30-in. (750 mm) AS 4087 PN21, SO/RF	29.34 (745)	29.39 (747)	29.26 (743)	39.96 (1015)	33.00 (838)	16.38 (416)	33.35 (898)	3.13 (80)	948 (430)
30-in. (750 mm) AS 4087 PN35, SO/RF	29.34 (745)	29.39 (747)	29.26 (743)	39.96 (1015)	33.00 (838)	16.38 (416)	33.35 (898)	3.13 (80)	2096 (950)
30-in. (750 mm) JIS B2220 - 10K, SO/RF	29.34 (745)	29.39 (747)	29.26 (743)	38.19 (970)	33.00 (838)	16.38 (416)	33.66 (855)	3.13 (80)	862 (392)
36-in. (900 mm) AS 2129 table D, SO/RF	35.25 (895)	35.30 (897)	35.17 (893)	46.26 (1175)	39.00 (991)	21.86 (555)	41.34 (1050)	3.13 (80)	1396 (633)
36-in. (900 mm) AS 2129 table E, SO/RF	35.25 (895)	35.30 (897)	35.17 (893)	46.26 (1175)	39.00 (991)	21.86 (555)	41.34 (1050)	3.13 (80)	1648 (747)
36-in. (900 mm) AS 4087 PN16, SO/RF	35.25 (895)	35.30 (897)	35.17 (893)	46.26 (1175)	39.00 (991)	21.86 (555)	41.34 (1050)	3.13 (80)	1574 (714)
36-in. (900 mm) AS 4087 PN21, SO/RF	35.25 (895)	35.30 (897)	35.17 (893)	46.26 (1175)	39.00 (991)	21.86 (555)	41.73 (1060)	3.13 (80)	2197 (997)
36-in. (900 mm) AS 4087 PN35, SO/RF	35.25 (895)	35.30 (897)	35.17 (893)	46.65 (1185)	39.00 (991)	21.86 (555)	40.55 (1030)	3.13 (80)	3133 (1421)
36-in. (900 mm) GB/T9119 PN10, SO/RF	35.25 (895)	35.30 (897)	35.17 (893)	43.9 (1115)	39.00 (991)	21.86 (555)	39.57 (1005)	3.13 (80)	1209 (549)
36-in. (900 mm) GB/T9119 PN16, SO/RF	35.25 (895)	35.30 (897)	35.17 (893)	44.29 (1125)	39.00 (991)	21.86 (555)	39.37 (1000)	3.13 (80)	1429 (649)
36-in. (900 mm) EN 1092-1 - PN10, SO/RF	35.25 (895)	35.30 (897)	35.17 (893)	43.90 (1120)	39.00 (991)	21.86 (555)	39.57 (1005)	3.13 (80)	1364 (619)
36-in. (900 mm) EN 1092-1 - PN16, SO/RF	35.25 (895)	35.30 (897)	35.17 (893)	44.29 (1125)	39.00 (991)	21.86 (555)	39.37 (1000)	3.13 (80)	1719 (780)
36-in. (900 mm) JIS B2220 - 10K, SO/RF	35.25 (895)	35.30 (897)	35.17 (893)	44.09 (1120)	39.00 (991)	21.86 (555)	39.57 (1005)	3.13 (80)	1194 (543)

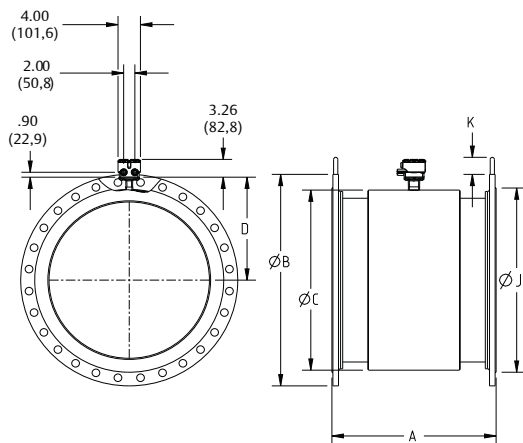
**Table 52: Raised face flanged sensor 40-in. and 48-in. (1000 mm and 1200 mm) dimensions**

Size, description	Overall length			Dim B	Dim C	Dim D	Dim J	Dim K	Flow tube wgt (lbs./kg)
	Dim A PTFE	Dim A Neo-prene	Dim A Poly						
40-in. (1000 mm) EN 1092-1 - PN10, SO/RF	N/A	39.40 (1001)	NA	48.43 (1230)	47.27 (1201)	25.86 (657)	43.70 (1110)	3.38 86)	1444 (655)
40-in. (1000 mm) EN 1092-1 - PN16, SO/RF	N/A	39.40 (1001)	NA	49.41 (1255)	47.27 (1201)	25.86 (657)	43.90 (1115)	3.38 86)	1559 (707)
40-in. (1000 mm) AS 2129 table D, SO/RF	N/A	39.40 (1001)	NA	49.41 (1255)	47.27 (1201)	25.86 (657)	44.61 (1133)	3.38 86)	1494 (678)

**Table 52: Raised face flanged sensor 40-in. and 48-in. (1000 mm and 1200 mm) dimensions (continued)**

Size, description	Overall length			Dim B	Dim C	Dim D	Dim J	Dim K	Flow tube wgt (lbs./kg)
	Dim A PTFE	Dim A Neo-prene	Dim A Poly						
40-in. (1000 mm) AS 2129 table E, SO/RF	N/A	39.40 (1001)	NA	49.41 (1255)	47.27 (1201)	25.86 (657)	44.49 (1130)	3.38 86)	1806 (819)
40-in. (1000 mm) AS 4087 PN16, SO/RF	N/A	39.40 (1001)	NA	49.41 (1255)	47.27 (1201)	25.86 (657)	44.61 (1133)	3.38 86)	2175 (987)
40-in. (1000 mm) AS 4087 PN21, SO/RF	N/A	39.40 (1001)	NA	50.20 (1275)	47.27 (1201)	25.86 (657)	45.24 (149)	3.38 86)	2464 (1118)
40-in. (1000 mm) GB/T9119 PN10, SO/RF	N/A	39.40 (1001)	NA	48.43 (1230)	47.27 (1201)	25.86 (657)	43.70 (1110)	3.38 86)	1576 (715)
40-in. (1000 mm) GB/T9119 PN16, SO/RF	N/A	39.40 (1001)	NA	49.41 (1255)	47.27 (1201)	25.86 (657)	43.90 (1115)	3.38 86)	1735 (787)
48-in. (1200 mm) EN 1092-1 - PN10, SO/RF	N/A	47.20 (1199)	NA	57.28 (1455)	55.27 (1404)	29.86 (758)	52.36 (1330)	3.38 86)	1949 (884)
48-in. (1200 mm) AS 2129 table D, SO/RF	N/A	47.20 (1199)	NA	58.66 (1490)	55.27 (1404)	29.86 (758)	53.86 (1368)	3.38 86)	2068 (938)
48-in. (1200 mm) AS 2129 table E, SO/RF	N/A	47.20 (1199)	NA	58.66 (1490)	55.27 (1404)	29.86 (758)	53.74 (1365)	3.38 86)	2680 (1216)
48-in. (1200) AS 4087 PN16, SO/RF	N/A	47.20 (1199)	NA	58.66 (1490)	55.27 (1404)	29.86 (758)	53.86 (1368)	3.38 86)	2703 (1226)
48-in. (1200 mm) AS 4087 PN21, SO/RF	N/A	47.20 (1199)	NA	60.24 (1530)	55.27 (1404)	29.86 (758)	54.53 (1385)	3.38 86)	3152 (1430)
48-in. (1200 mm) GB/T9119 PN10, SO/RF	N/A	47.20 (1199)	NA	57.28 (1455)	55.27 (1404)	29.86 (758)	52.36 (1330)	3.38 86)	2081 (944)
48-in. (1200 mm) GB/T9119 PN16, SO/RF	N/A	47.20 (1199)	NA	58.46 (1485)	55.27 (1404)	29.86 (758)	52.36 (1330)	3.38 86)	2832 (1284)

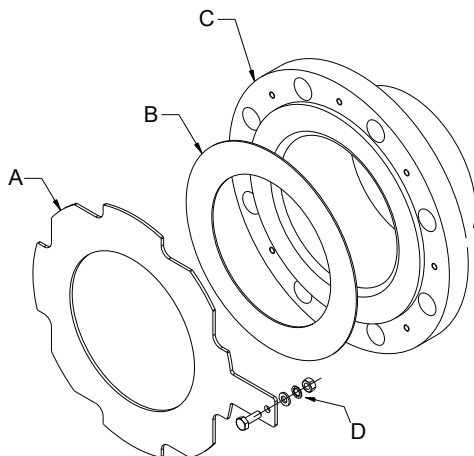
**Figure 12: Flat face sensor 30- to 48-kin. (750 mm to 1200 mm)**



**Table 53: Flat face sensor 30- to 48-in. (750 mm to 1200 mm) dimensions**

Size, description	Length			Dim B	Dim C	Dim D	Liner Ø on face			Dim K	Flow tube wgt (lbs./kg)
	Dim A PTFE	Dim A Neo-prene	Dim A Poly				Dim J PTFE	Dim J Neo-prene	Dim J Poly		
30-in. (750 mm) AWWA CLASS D, SO/FF	29.34 (745)	29.39 (747)	29.26 (743)	38.75 (984)	33.00 (838)	16.38 (416)	33.75 (857)	38.75 (984)	33.75 (857)	3.13 (80)	789 (358)
30-in. (750 mm) AWWA CLASS E, SO/FF	29.34 (745)	29.39 (747)	29.26 (743)	38.75 (984)	33.00 (838)	16.38 (416)	33.75 (857)	38.75 (984)	33.75 (857)	3.13 (80)	1205 (548)
30-in. (750 mm) AWWA CLASS F, SO/FF	29.34 (745)	29.39 (747)	29.26 (743)	43.00 (1092)	33.00 (838)	16.38 (416)	33.75 (857)	43.0 (1092)	33.75 (857)	3.13 (80)	1795 (816)
36-in. (900 mm) AWWA C207 CLASS D, SO/FF	35.25 (825)	35.3 (897)	35.17 (893)	46.00 (1168)	39.00 (991)	21.86 (555)	40.25 (1022)	40.25 (1022)	40.25 (1022)	3.13 (80)	1148 (521)
36-in. (900 mm) AWWA C207 CLASS E, SO/FF	35.25 (825)	35.30 (897)	35.17 (893)	46.00 (1168)	39.00 (991)	21.86 (555)	40.25 (1022)	46.00 (1168)	40.25 (1022)	3.13 (80)	1911 (867)
36-in. (900 mm) AWWA C207 CLASS F, SO/FF	35.25 (825)	35.30 (897)	35.17 (893)	50.00 (1270)	39.00 (991)	21.86 (555)	40.25 (1022)	50.00 (1270)	40.25 (1022)	3.13 (80)	2651 (1202)
40-in. (1000 mm) AWWA CLASS D, SO/FF	N/A	39.40 (1001)	N/A	50.75 (1289)	47.27 (1201)	25.86 (657)	N/A	50.75 (1289)	N/A	3.38 (86)	1435 (651)
40-in. (1000 mm) AWWA CLASS E, SO/FF	N/A	39.40 (1001)	N/A	50.75 (1289)	47.27 (1201)	25.86 (657)	N/A	50.75 (1289)	N/A	3.38 (86)	2464 (1118)
42-in. (1050 mm) AWWA CLASS D, SO/FF	N/A	42.00 (1067)	N/A	53.00 (1346)	49.27 (1251)	26.86 (682)	N/A	53.00 (1346)	N/A	3.38 (86)	1550 (703)
42-in. (1050 mm) AWWA CLASS E, SO/FF	N/A	42.00 (1067)	N/A	53.00 (1346)	49.27 (1251)	26.86 (682)	N/A	53.00 (1346)	N/A	3.38 (86)	2400 (1089)
48-in. (1200 mm) AWWA CLASS D, SO/FF	N/A	47.2 (1199)	N/A	59.50 (1511)	55.27 (1404)	29.86 (758)	N/A	59.50 (1511)	N/A	3.38 (86)	1892 (848)

**Figure 13: Flanged sensor ½- to 48-in. (15 mm to 1200 mm) grounding ring**



- A. Grounding ring
- B. Customer supplied gasket
- C. Flow tube
- D. Grounding strap hardware

**Table 54: Flanged sensor ½- to 48-in. (15 mm to 1200 mm) grounding ring dimensions**

	Single grounding ring thickness		Double grounding ring thickness	
	Min	Max	Min	Max
0.5-in. (15 mm)	0.059 (1,5)	N/A	0.12 (3)	N/A
1-in. (25 mm)	0.059 (1,5)	N/A	0.12 (3)	N/A
1.5-in. (40 mm)	0.059 (1,5)	N/A	0.12 (3)	N/A
2-in. (50 mm)	0.059 (1,5)	N/A	0.12 (3)	N/A
2.5-in. (65 mm)	0.059 (1,5)	N/A	0.12 (3)	N/A
3-in. (80 mm)	0.059 (1,5)	N/A	0.12 (3)	N/A
4-in. (100 mm)	0.059 (1,5)	N/A	0.12 (3)	N/A
5-in. (125 mm)	0.059 (1,5)	0.12 (3)	0.12 (3)	0.24 (6,1)
6-in. (150 mm)	0.059 (1,5)	N/A	0.12 (3)	N/A
8-in. (200 mm)	0.059 (1,5)	N/A	0.12 (3)	N/A
10-in. (250mm)	0.059 (1,5)	N/A	0.12 (3)	N/A
12-in. (300mm)	0.059 (1,5)	0.12 (3)	0.12 (3)	0.24 (6,1)
14-in. (350mm)	0.12 (3)	0.25 (6,4)	0.24 (6,1)	0.5 (12,7)
16-in. (400mm)	0.12 (3)	0.25 (6,4)	0.24 (6,1)	0.5 (12,7)
18-in. (450mm)	0.12 (3)	0.25 (6,4)	0.24 (6,1)	0.5 (12,7)
20-in. (500mm)	0.12 (3)	0.25 (6,4)	0.24 (6,1)	0.5 (12,7)
24-in. (600mm)	0.187 (4,7)	0.25 (6,4)	0.374 (9,5)	0.5 (12,7)
30-in. (750mm)	0.187 (4,7)	0.25 (6,4)	0.374 (9,5)	0.5 (12,7)
36-in. (900mm)	0.187 (4,7)	0.25 (6,4)	0.374 (9,5)	0.5 (12,7)
40-in. (1000 mm)	0.25 (6,4)	N/A	0.5 (12,7)	N/A
42-in. (1050 mm)	0.25 (6,4)	N/A	0.5 (12,7)	N/A
48-in. (1200 mm)	0.25 (6,4)	N/A	0.5 (12,7)	N/A









**Emerson Automation Solutions**

7070 Winchester Circle  
Boulder, Colorado USA 80301  
T: +1 800-522-6277  
T: +1 303-527-5200  
F: +1 303-530-8459  
Mexico: 52 55 5809 5300  
Argentina: 54 11 4837 7000  
Brazil: 55 15 3413 8147  
Chile: 56 2 2928 4800

**Emerson Automation Solutions**

Central Europe: +41 41 7686 111  
Eastern Europe: +41 41 7686 111  
Dubai: +971 4 811 8100  
Abu Dhabi: +971 2 697 2000  
France: 0800 917 901  
Germany: +49 (0) 2173 3348 0  
Italy: 8008 77334  
The Netherlands: +31 (0) 70 413 6666  
Belgium: +32 2 716 77 11  
Spain: +34 913 586 000  
U.K.: 0870 240 1978  
Russian/CIS: +7 495 981 9811

**Emerson Automation Solutions**

Australia: (61) 3 9721 0200  
China: (86) 21 2892 9000  
India: (91) 22 6662 0566  
Japan: (81) 3 5769 6803  
South Korea: (82) 31 8034 0000  
Singapore: (65) 6 777 8211

©2018 Rosemount, Inc. All rights reserved.

The Emerson logo is a trademark and service mark of Emerson Electric Co. Rosemount, 8600, 8700, 8800 marks are marks of one of the Emerson Automation Solutions family of companies. All other marks are property of their respective owners.