

Aluminium Tank Systems

for Dust Collector Systems
Tank size 8"



ASCO™


EMERSON™

Modular all-in-one system made of aluminium

CE marking according to Pressure Equipment Directive 2014/68/EU, Modules B1+D.

The reliable choice for dust collector systems.

Extended temperature range
High-quality diaphragms made of polychloroprene (CR) ensure a long service life over a wide range of temperatures.

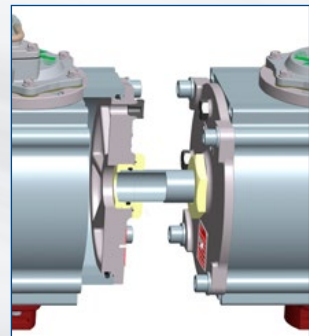
Short response times
Extremely short opening and closing times enable higher pressure pulses for more effective filter cleaning.

Number of valve / distance between valves
Variable distances between valves, with up to 18 valves.

Option
Pressure supply connection at the top or the bottom between the valves.

T-slot grooves
For the individual mounting of ASCO Numatics' products or customers' own devices and designs.

G 1½" pressure supply connection
Easy connection to other tank systems via instant-fitting connecting element fitted with a lip seal.



Connection for various accessories
such as filter-regulator, pressure gauge, safety valve and automatic or manual drain valve.



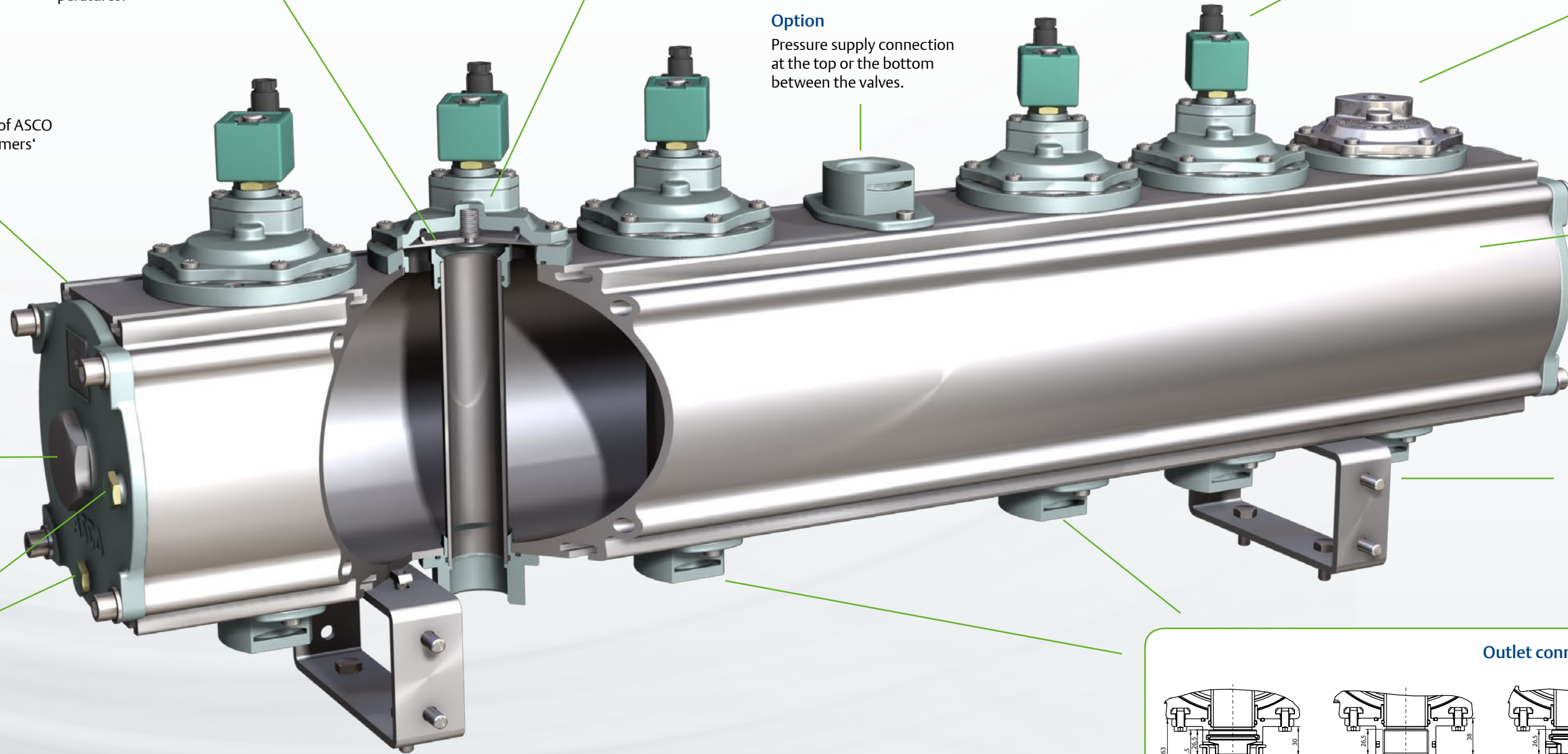
Types of control
Large choice of solenoid operators and pilot boxes



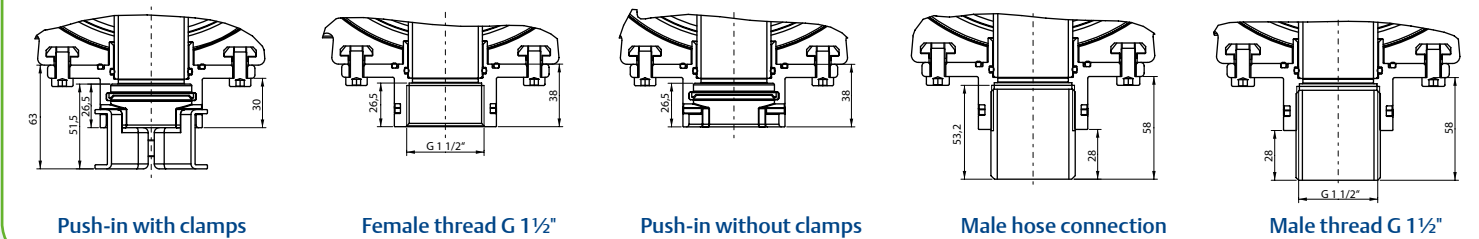
Anodised aluminium profile

- No internal or external corrosion
- No welding - therefore, no contamination
- No additional painting (primer) required
- Low weight and easy to handle
- Ease of maintenance
- Easy assembly and installation
- Easy storage
- All from a single source

Flexible mounting brackets
The standard mounting brackets allow the system to be mounted in any position without affecting operation.

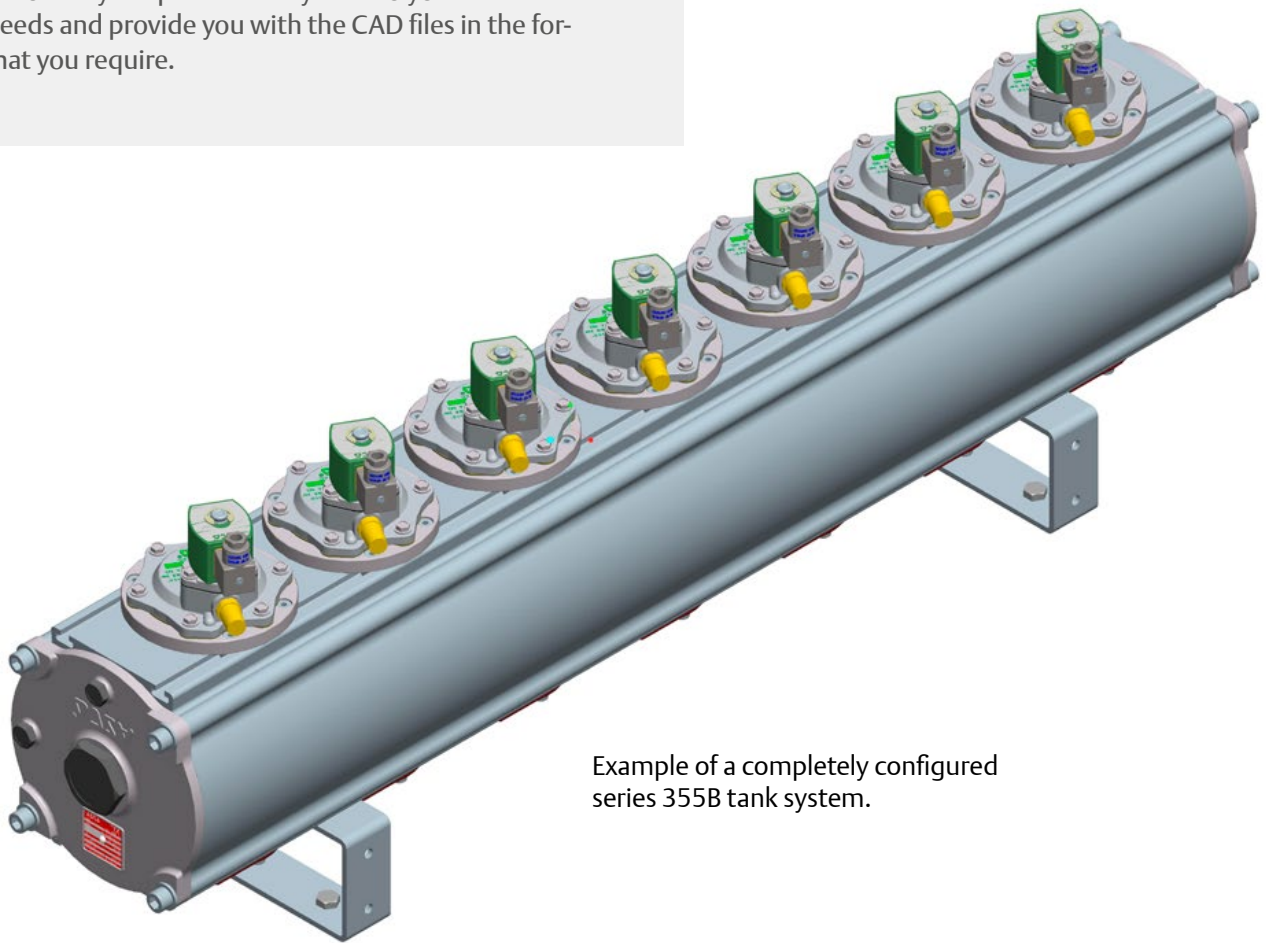


Outlet connection options



CAD drawings in all common formats

Our DPM (Dynamic Product Modelling) tool allows us to easily adapt the tank system to your individual needs and provide you with the CAD files in the format you require.



Example of a completely configured series 355B tank system.

Aluminium tank systems, series 355B

Technical Characteristics

Tank size	8"
Tank length	max. 3000 mm
Number of valves	1 – 18 (for more, contact us)
Start / end distance (min.)	End cover 110 mm, for mounting bracket 120 mm
Pitch (min.)	160 mm between valves
Ambient temperature	- 20°C to +85°C
Temperature range	- 20°C to +100°C
Pressure supply	ISO 228/1, G 1½" female thread
Operating pressure	min. 1.0 / max. 8.0 bar
Flow rate	Kv 43,3 = 724 l/min
Valve size	1 ½"

We will be pleased to advise you on applications for our dust collector systems. Just give us a call on +49 7237-996-0 or send us an e-mail at asconumatics-de@emerson.com quoting reference "Dust Collector Systems".

ASCO Numatics GmbH
Otto-Hahn-Straße 7-11
75248 Ölbronn-Dürrn (Germany)

Tel: +49 7237 996-0
Email: asconumatics-de@emerson.com
www.asconumatics.de



Scan the QR code to see ASCO Numatics in action.
Or visit www.asco.com/en-gb/Pages/applications-dust-collector-systems.aspx

The Emerson logo is a trademark and service mark of Emerson Electric Co. © 2017 Emerson Electric Co.

Accessories

Air service equipment



Pilot box



Explosion proof solenoid operators



EMERSON. CONSIDER IT SOLVED.™

