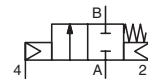




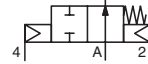
VALVES

pressure operated
coaxial, brass or stainless steel body
3/8 to 1

NC



NO



2/2
Series
287

FEATURES

- Control of high-pressure fluids
- NAMUR interface pilot for 1/4" solenoid spool valve
- Valve without actuator gland designed for long service life
- Vacuum operation up to 10⁻⁴ mbar
- The valves satisfy article 4.3 of Pressure Equipment Directive 2014/68/EU

GENERAL

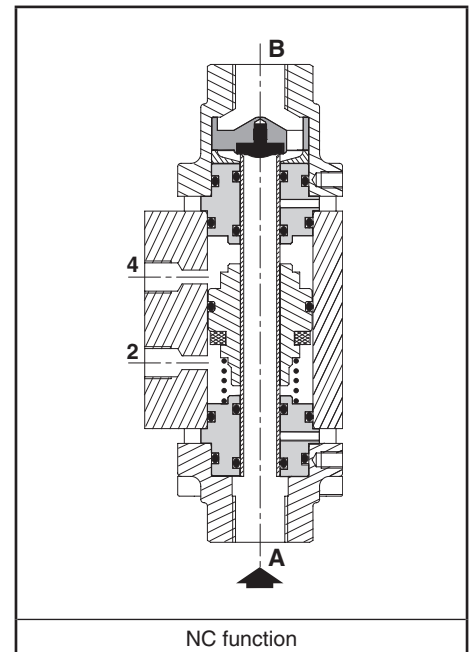
Differential pressure	[1 bar = 100 kPa]
pilot 3/2 NC	A → B : 40 bar, B → A : 12 bar
pilot 5/2	A → B : 40 bar, B → A : 40 bar
Ambient temperature range	- 20°C to + 100°C
Maximum viscosity	
pilot 3/2 NC	500 cSt (mm ² /s)
pilot 5/2	6000 cSt (mm ² /s)
Pilot fluid	Air or oil
Pilot pressure	4 to 8 bar
Pilot fluid temperature	0°C à +60°C
Response time (air operation ΔP = 4 bar)	
opening (ms)	3/8 1/2 3/4 1 30 35 40 50
closing (ms)	50 60 60 70

fluids (*)	temperature range (TS)	seal materials (*)
air and gas groups 1 & 2 water, oil, liquids groups 1 & 2	- 20°C to + 100°C	FPM (fluoroelastomer) PTFE

MATERIALS IN CONTACT WITH FLUID

(*) Ensure that the compatibility of the fluids in contact with the materials is verified

	Brass body	Stainless steel body
Body	Brass	Stainless steel
Internal parts	Brass	Stainless steel
Tube	Stainless steel	Stainless steel
Seals	FPM	FPM
Disc seal	PTFE	PTFE



SPECIFICATIONS

pipe size	DN	flow coefficient Kv		operating pressure differential (bar)				catalogue number		
				min.	max. (PS)		brass			stainless steel
					air/gas/water/oil (*)					
G		(m ³ /h)	(l/min)		B → A	A → B				
NC - Normally closed										
3/8	10	2,2	36,6	0	12	40	G287A101	G287A109		
1/2	15	5,2	86,6	0	12	40	G287A102	G287A110		
3/4	20	7,5	125	0	12	40	G287A103	G287A111		
1	25	12,2	203,3	0	12	40	G287A104	G287A112		
NO - Normally open										
3/8	10	2,2	36,6	0	12	40	G287A105	G287A113		
1/2	15	5,2	86,6	0	12	40	G287A106	G287A114		
3/4	20	7,5	125	0	12	40	G287A107	G287A115		
1	25	12,2	203,3	0	12	40	G287A108	G287A116		

00065GB-2017/R01
Availability, design and specifications are subject to change without notice. All rights reserved.

All leaflets are available on: www.asco.com

OPTIONS

- ATEX 2014/34/EU versions for use in zones 1/21-2/22, categories 2-3, use suffix GD2 (example: G287A101GD2)
- Magnetic position detectors (MR) "T profile":
 - with 2 m PVC lead, 3 wires 0,14 mm², stripped and tinned ends, catalogue number: **88100737**
 - with 5 m PVC lead, 3 wires 0,14 mm², stripped and tinned ends, catalogue number: **88100738**
 - with 0,15 m PVC lead + plug-in male connector Ø M8 - 3 pins, catalogue number: **88100739**
 - with 0,15 m PVC lead + screw-type male connector Ø M12 - 3 pins, catalogue number: **88100740**

INSTALLATION

- The valves can be mounted in any position without affecting operation
- Valves have two mounting holes in body
- Pipe connection identifier is G = G (ISO 228/1)
- Installation/maintenance instructions are included with each valve

SPARE PARTS KITS & ACCESSORIES

catalogue number	spare parts kit no.		mounting bracket no.
	brass	stainless steel	
G287A101/109/105/113	C140176	C140177	C140130
G287A102/110/106/114	C140180	C140181	C140131
G287A103/111/107/115	C140184	C140185	C140132
G287A104/112/108/116	C140188	C140189	C140133

ORDERING EXAMPLES:

	G 287 A 101
	G 287 A 105
	G 287 A 109
pipe thread	_____
basic number	_____

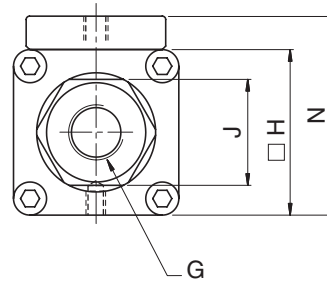
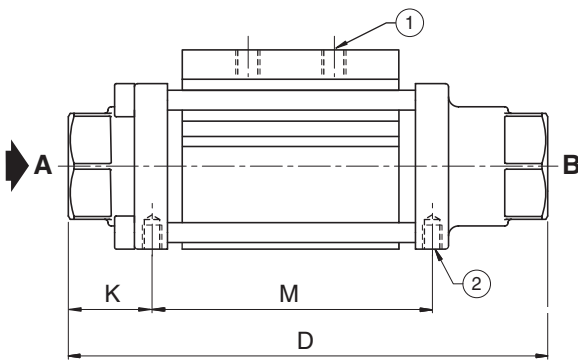
DIMENSIONS (mm), WEIGHT (kg)



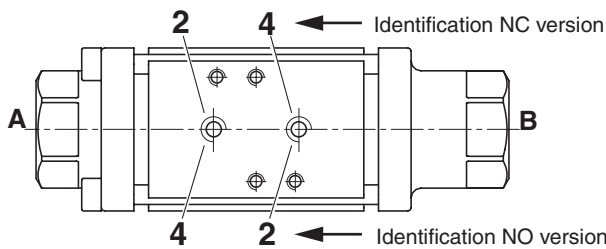
TYPE 01
NAMUR interface pilot

ORDERING EXAMPLES KITS:

	C140176
	C140181
basic number	_____



- ① 2 pilot ports G 1/8
- ② 2 mounting holes Ø M5, depth 7 mm



type	G	D	H	J	K	M	N	X	Y	Z	weight ⁽¹⁾
01	3/8	145	50	32	25	85	60	24	111	6	1,3
	1/2	173	70	41	31	103	68	38	136	6	2,5
	3/4	193	80	46	35	111	78	45	151	7	3,8
	1	212	90	55	36	121	88	50	165	7	5,1

⁽¹⁾ Without mounting brackets.

NAMUR interface pilot operation

position detectors	mounting brackets	NAMUR solenoid valves, series 551