

The rugged and reliable WG series worm gearboxes are constructed for manual or motorized operation. With ductile iron housings, bearing-supported shafts, and well-designed sealing, the WG stands up to the environmental challenges of weatherproof, submersible and buried service applications. Alternate input shaft assembly positions can be accomplished in the field due to the concentric housing design. The splined adapter is captive in the housing, eliminating the concerns over proper engagement of the adapter on the valve shaft. The range of spur gear reductions allows the WG to meet operating times for virtually any application.

The WG meets AWWA C504 requirements for manual operation and, when motorized, meets AWWA C542 requirements. High-quality, maintenance-free construction will provide years of dependable operation.

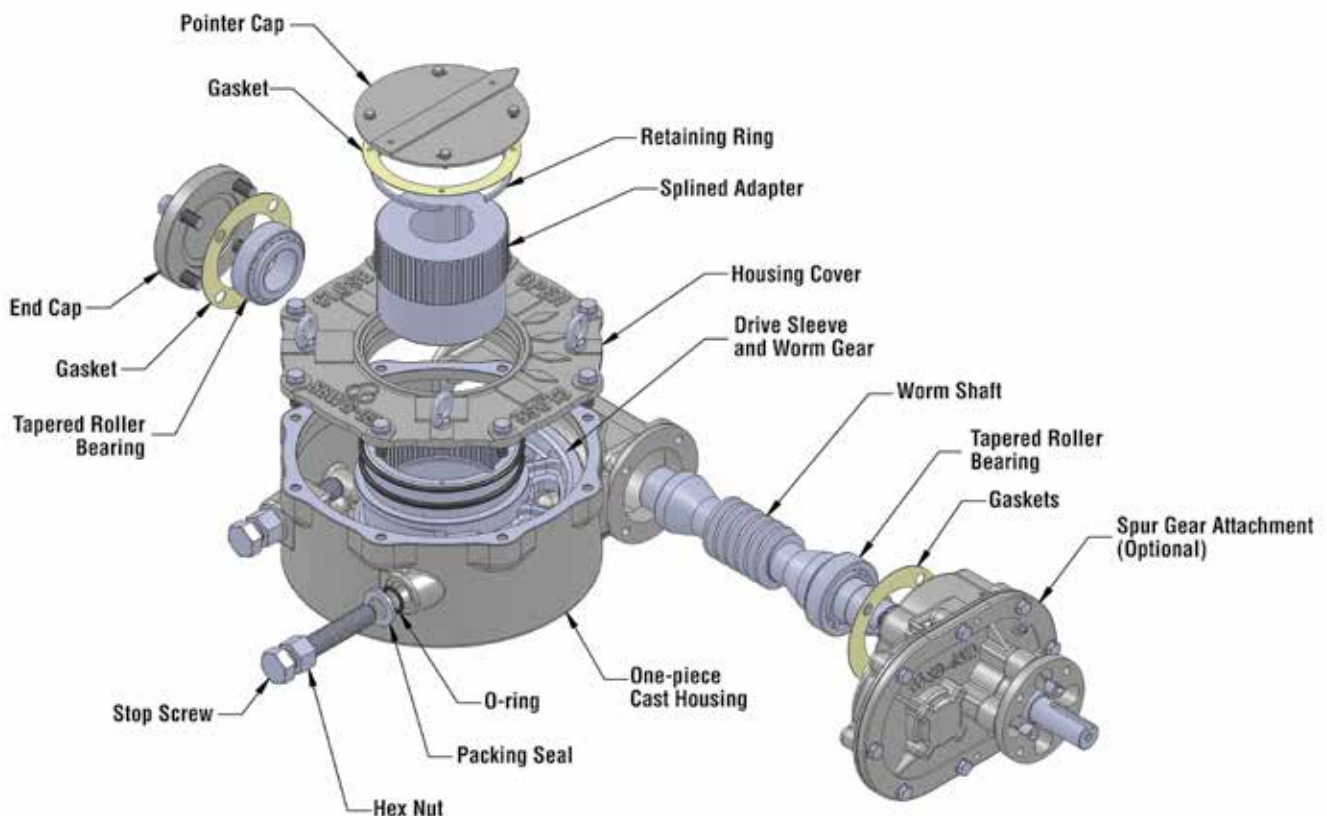
Features and Benefits

- Meets AWWA C504 and C542 when motorized with MX, L120 or SMB actuators
- Lubricated for life
- Available for 360° operation
- Input flanges machined in accordance with MSS SP-102, with keyed input shaft
- Available for buried service and submersibility to IP 68
- Self-locking gearing
- High mechanical advantage

The WG series, when motorized by MX, L120 or SMB actuators, provides effective and reliable solutions for quarter-turn or multi-turn process control applications.



- Ductile iron enclosure
- 90° ±5° (adjustable) travel for quarter-turn applications
- Up to 326 000 ft-lb/442 000 N-m torque output
- Worm gears available in bronze or ductile iron
- -35°C to 90°C (-31°F to 194°F) temperature range for continuous operation (options to -50°C)





Ratings

Gearbox	Ratio	Mechanical Advantage	Stem Capacity		Output Torque Rating		Input Torque for Output Torque Rating	
			Inches	MM	ft-lb	N-m	ft-lb	N-m
WG-00	40:1	13.6	1.250 - 5/16 x 5/16 sq key 1.313 - 5/16 x 1/4 rect key	32 - 8x7	885	1200	65	88
WG-02	48:1	15.4	2.125 - 1/2 x 1/2 sq key 2.188 - 1/2 x 3/8 rect key	56 - 12x8	2065	2800	134	182
WG-03 WG-03-1SD	52:1 217:1	16.1 52.1	2.688 - 5/8 x 5/8 sq key 2.750 - 3/4 x 1/2 rect key	70 - 16x10	3172	4300	197 61	267 83
WG-35 WG-35-1SD	52:1 148:1	16.6 35.5	2.813 - 3/4 x 3/4 sq key 2.938 - 3/4 x 1/2 rect key	74 - 20x12	4500	6100	270 127	367 172
WG-04 WG-04-1SD	56:1 252:1	19.0 60.5	3.313 - 7/8 x 7/8 sq key 3.438 - 7/8 x 5/8 rect key	88 - 25x14	7670	10 400	404 127	547 172
WG-05 WG-05-1SD	60:1 388:1	20.4 93.1	4.000 - 1 x 1 sq key 4.125 - 1 x 3/4 rect key	106 - 28x16	11 720	15 890	575 126	779 171
WG-55 WG-55-1S WG-55-1SD WG-55-1SD	62:1 186:1 372:1 558:1	21.7 52.1 89.3 133.9	4.375 - 1 x 1 sq key 4.500 - 1 x 3/4 rect key	115 - 32x18	17 330	23 497	799 333 194 129	1083 451 263 175
WG-06 WG-06-1SD WG-06-1SD WG-06-1SD	64:1 329:1 451:1 768:1	19.2 75.7 103.7 176.6	4.813 - 1-1/4 X 1-1/4 sq key 5.000 - 1-1/4 X 7/8 rect key	128 - 32x18	24 190	32 797	1260 320 233 137	1708 433 316 186
WG-07 WG-07-1SD WG-07-1SD WG-07-1SD	68:1 350:1 674:1 1088:1	21.1 80.5 155.0 250.2	6.188 - 1-1/2 x 1-1/2 sq key 6.438 - 1-1/2 x 1 rect key	164 - 40x22	37 690	51 101	1788 468 243 151	2424 635 330 204
WG-75 WG-75-1S WG-75-1SD WG-75-1SD WG-75-1SD	66:1 330:1 394:1 544:1 1084:1	20.5 89.1 90.6 125.1 249.3	7.125 - 1-3/4 x 1-3/4 sq key 7.250 - 1-3/4 x 1-1/2 rect key	188 - 45x25	60 110	81 498	2938 675 663 480 241	3983 915 899 651 327
WG-08 WG-08-1S WG-08-1SD WG-08-1SD WG-08-1SD	66:1 330:1 394:1 770:1 1417:1	21.8 92.4 98.5 192.5 354.3	8.500 - 2 x 2 sq key 8.750 - 2 x 1-1/2 rect key	228 - 50x28	89 240	120 992	4097 966 906 464 252	5555 1309 1228 629 342
WG-09 WG-09-1S WG-09-1SD WG-09-1SD	66:1 330:1 394:1 1155:1	23.1 99.0 102.4 300.3	9.500 - 2-1/2 x 2-1/2 sq key 10.000 - 2-1/2 x 1-3/4 rect key	258 - 56x32	141 980	192 497	6146 1434 1386 473	8333 1944 1879 641
WG-10 WG-10-1S WG-10-1SD WG-10-1SD WG-10-1SD	64:1 320:1 422:1 640:1 1600:1	21.8 92.8 109.7 166.4 416.0	10.625 - 2-1/2 x 2-1/2 sq key 11.000 - 2-1/2 x 1-3/4 rect key	286 - 63x32	202 830	274 997	9321 2186 1849 1219 488	12 638 2963 2506 1653 661
WG-11 WG-11-1S WG-11-1SD WG-11-1SD WG-11-1SD	68:1 340:1 448:1 816:1 994:1	23.1 102.0 116.5 212.2 258.4	11.750 - 3 x 3 sq key 12.250 - 3 x 2 rect key	318 - 70x36	326 000	441 991	14 100 3196 2799 1537 1261	19 117 4333 3795 2083 1710

Flowserve Corporation has established industry leadership in the design and manufacture of its products. When properly selected, this Flowserve product is designed to perform its intended function safely during its useful life. However, the purchaser or user of Flowserve products should be aware that Flowserve products might be used in numerous applications under a wide variety of industrial service conditions. Although Flowserve can (and often does) provide general guidelines, it cannot provide specific data and warnings for all possible applications. The purchaser/user must therefore assume the ultimate responsibility for the proper sizing and selection, installation, operation and maintenance of Flowserve products. The purchaser/user should read and understand the Installation Operation Maintenance (IOM) instructions included with the product, and train its employees and contractors in the safe use of Flowserve products in connection with the specific application.

While the information and specifications contained in this literature are believed to be accurate, they are supplied for informative purposes only and should not be considered certified or as a guarantee of satisfactory results by reliance thereon. Nothing contained herein is to be construed as a warranty or guarantee, express or implied, regarding any matter with respect to this product. Because Flowserve is continually improving and upgrading its product design, the specifications, dimensions and information contained herein are subject to change without notice. Should any question arise concerning these provisions, the purchaser/user should contact Flowserve Corporation at any one of its worldwide operations or offices.

© 2015 Flowserve Corporation, Irving, Texas, USA. Flowserve is a registered trademark of Flowserve Corporation.

**To find your local Limitorque representative, visit
www.limitorque.com or call USA 434 528 4400.**

United States
Flowserve Limitorque
5114 Woodall Road
Lynchburg, VA 24502 USA
Telephone: 434 528 4400
Fax: 434 845 9736

FCD LMENFL2102-01-A4 05/15 © 2015 Flowserve Corporation.