

Sculmatic® MK V Flow Switch Angle Check Valve

Automatic Flow Control

Setting Standards in Safety and Dependability since 1936.



MK V

DESCRIPTION

The SCULMATIC MK V flow sensing switch activates SCULMATIC air or electric throttle actuators to increase the truck's engine from idle to full pumping speed when delivery nozzle is opened and flow begins. The SCULMATIC MK V is a discharge check valve when installed between the meter and hose reel.

FEATURES

- Pumping rate is controlled from the nozzle to permit high pumping speeds and delivery control.
- Check valve required by weights and measures.
- Flow control switch and check valve combined in one unit.
- Reduces hose pressure at idled speed and eliminates damaging surge and shock pressures.
- Available with electric or air switch.

SPECIFICATIONS

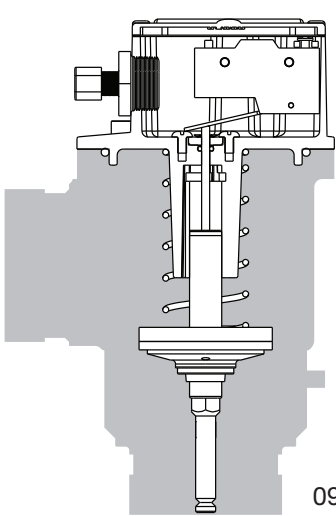
- Victaulic inlet & outlet for leak free connection.
- 1/4" gauge port.
- 20 amp normally open electrical switch.
Electric MK V only (not for gasoline use).
- Less than 7 P.S.I. pressure drop at 100 G.P.M.
- 3 P.S.I. cracking pressure at zero flow.
- Viton poppet seal.



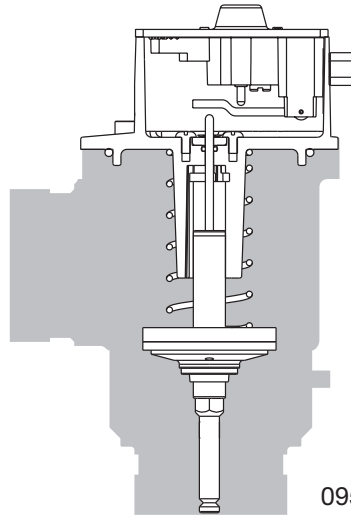
09520



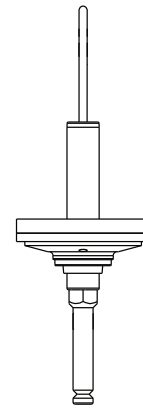
09521



09554



09555



09556

ORDERING INFORMATION		REPLACEMENT PARTS	
Description	Part Number	Description	Part Number
MK V Air Victaulic X Victaulic	09520	Replacement Switch Housing for Electric	09554
MK V Electric Victaulic X Victaulic	09521	Replacement Switch Housing for Air	09555
		Poppet Valve Assembly & Seal Kit	09556



Scully Signal Company
70 Industrial Way,
Wilmington, MA 01887-3479, USA
Tel: 800 272 8559 / 617 692 8600
email: sales@scully.com

Scully Systems Europe NV
Eksterveldlaan 31a
2820 Bonheiden / Belgium
Tel: +32 (0) 15 56 00 70
email: info@scully.be

Scully UK Ltd
Meridian House, Unit 33,
37 Road One Winsford Industrial Estate,
Winsford Cheshire CW7 3QG / UK
Tel: +44 (0) 1606 553805
email: sales@scullyuk.com

