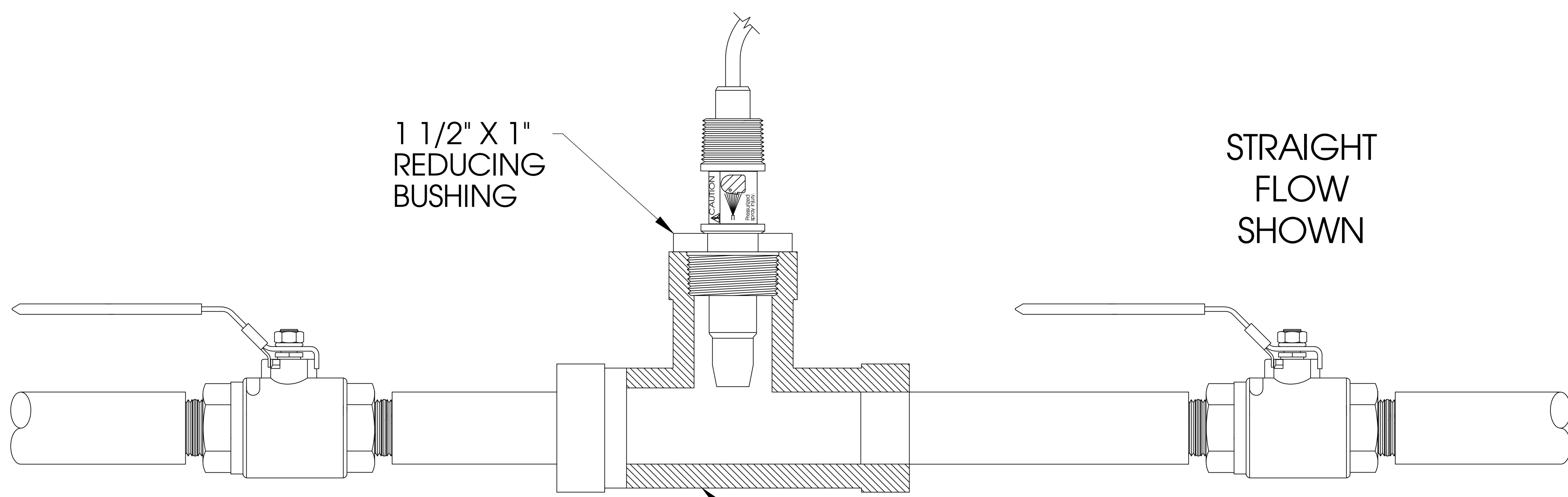


WHEN INCH AND METRIC DIMS
ARE GIVEN



REVISIONS

LTR	DESCRIPTION	DATE	APVD
B	REVISED AND REDRAWN ON CAD, ADDED TF396	05-21-02	JS
C	REVISED CALLOUTS ADDED REDUCING BUSHING	04-01-03	JS

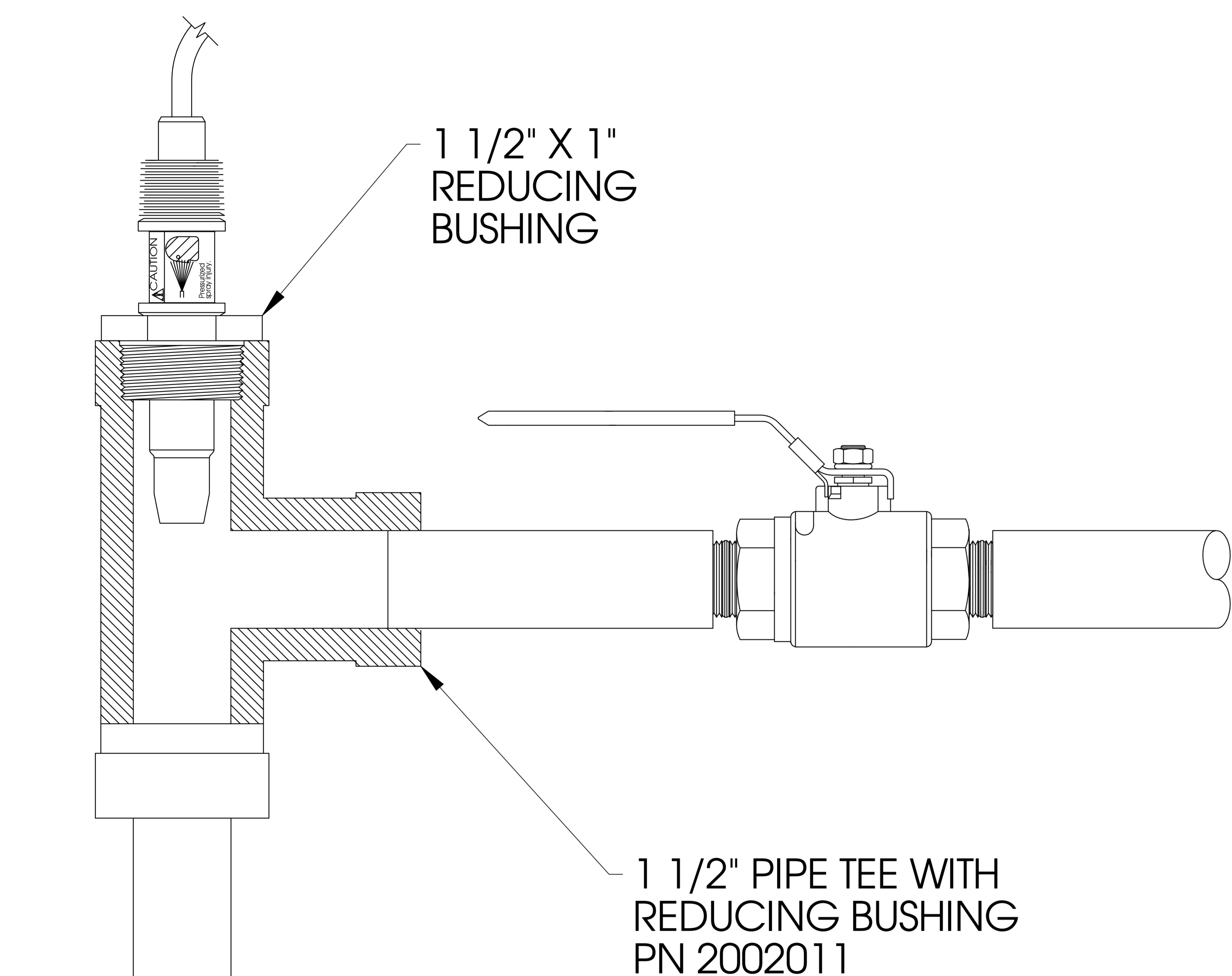


STRAIGHT
FLOW
SHOWN

1 1/2" X 1"
REDUCING
BUSHING

1 1/2" PIPE TEE WITH
REDUCING BUSHING
PN 2002011

ANGLE
FLOW
SHOWN



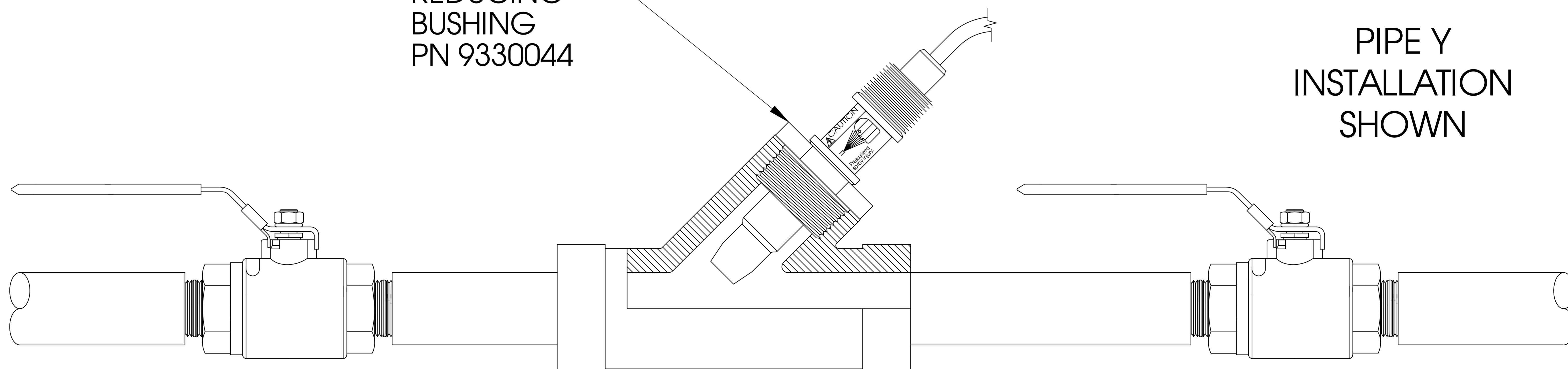
1 1/2" X 1"
REDUCING
BUSHING

1 1/2" PIPE TEE WITH
REDUCING BUSHING
PN 2002011

FLOW

1 1/2" X 1"
REDUCING
BUSHING
PN 9330044

PIPE Y
INSTALLATION
SHOWN



1 1/2" PIPE "Y" (BY OTHERS)

1. VALVES AND FITTINGS BY OTHERS, MOUNT THE
SENSOR AT LEAST 10° FROM HORIZONTAL.
NOTES: UNLESS OTHERWISE SPECIFIED

APPROVALS		DATE
DRAWN	V.A.	04/17/95
CHECKED	K.W.	04/26/95
PROJECT ENGR APVD	R.B.	04/26/95
THIS DWG CONVERTED TO SOLID EDGE		

Emerson		Emerson Process Management Rosemount Analytical Division 2400 Barranca Pkwy Irvine, CA 92606
TITLE FLOW THRU AND INSERTION INSTALLATION MODEL 396P AND TF396		
B SIZE	DWG NO 40396P05	REV C