

# CATALOG accessories

## **FRL Accessories** *Pressure Switches, Gauges and Options*

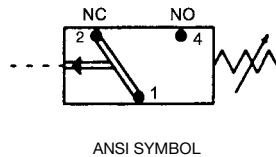


---

|   |      |
|---|------|
| <b>FRL Accessories</b> <i>Pressure Switches, Gauges &amp; Options</i> ..... | 3-12 |
| PS180 Pressure Switches .....   | 3    |
| PS182 Pressure Switches .....   | 4    |
| Reclassifiers .....   | 5    |
| Electronic Drain Valves .....   | 6    |
| Inline Filters - L Series .....   | 7    |
| Oxygen Concentrator Regulator .....   | 8-9  |
| Gauges .....  | 10   |
| Mounting Brackets .....   | 11   |
| Mounting Air Systems .....  | 12   |



### PS180 Pressure Switches



#### Application

Numatics PS180 is a line of pressure switches designed for accurate indication that proper system pressure is being achieved. Available in 1/8 or 1/4 threads, it is easily incorporated into an air system using a **FLEXIBLOK®** diverter plate of other manifold.

Featuring a rugged housing made from zinc coated steel, the PS180 is designed for industrial multi-million cycle life applications. The four pin connector plug is included and contains a key way preventing accidental misconnection. Pressure adjustment is tamper resistant, hindering unauthorized changes. It can be wired in either normally open or normally closed configurations and includes a case ground pin.

#### Specifications

Contact Rating: 4A @ 250 V AC  
 Protection: IP 65, terminals IP00  
 Maximum Operation: 200/min  
 Temperature Range: 0° F to 190° F (-15° C to 85° C)  
 Maximum Pressure: 300 PSI (20 bar)  
 Maximum Voltage: 250 V AC (200 DC)  
 Hysteresis Adjustment: 15%  
 Connector Material: polyamid  
 Diaphragm Material: Buna N  
 Housing Material: zinc plated steel

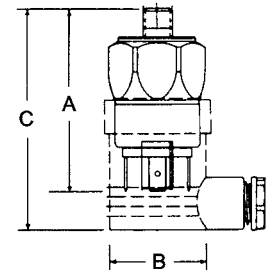
#### Dimensions in inches (millimeters in parenthesis)

##### NPTF Thread Dimensions

| MODEL      | A        | B        | C        |
|------------|----------|----------|----------|
| PS180BAN01 | 2.5 (64) | 1.0 (27) | 3.1 (79) |
| PS180CAN01 | 2.5 (64) | 1.0 (27) | 3.1 (79) |
| PS180BAN02 | 2.5 (64) | 1.0 (27) | 3.1 (79) |
| PS180CAN02 | 2.5 (64) | 1.0 (27) | 3.1 (79) |

##### BSPP Thread Dimensions

| MODEL      | A        | B        | C        |
|------------|----------|----------|----------|
| PS180BAG02 | 2.3 (58) | 1.0 (27) | 2.9 (74) |
| PS180CAG02 | 2.3 (58) | 1.0 (27) | 2.9 (74) |



#### NPTF Thread Model Selection

| NPTF | MODEL      | PSIG (BAR)    |
|------|------------|---------------|
| 1/8  | PS180BAN01 | 4-20 (.3-1.5) |
| 1/8  | PS180CAN01 | 14-150 (1-10) |
| 1/4  | PS180BAN02 | 4-20 (.3-1.5) |
| 1/4  | PS180CAN02 | 14-150 (1-10) |

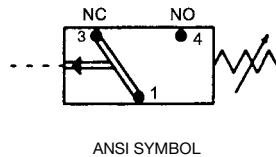
#### BSPP Thread Model Selection

| BSPP | MODEL      | PSIG (BAR)    |
|------|------------|---------------|
| 1/4  | PS180BAG02 | 4-20 (.3-1.5) |
| 1/4  | PS180CAG02 | 14-150 (1-10) |

Use "G" suffix for gold plated terminals (for applications below 50 mA), i.e. PS180BAN02G



### PS182 Pressure Switches



#### Application

Numatics PS182 is the most rugged of the Numatics Pressure Switches. Available in 1/8 or 1/4 NPT and BSPP threads, it is easily incorporated into an air system using a FlexiBlok diverter plate or diverter block.

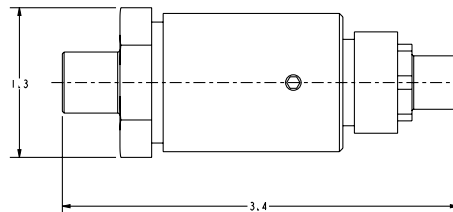
The unique 12 mm, micro connector makes it simple for electrical connection. The knurled knob with tamper resistant hex screw makes it the easiest pressure adjustment on the market. It can be wired in either a normally open or normally closed configuration.

#### Specifications

|                        |                             |
|------------------------|-----------------------------|
| Hysteresis Adjustment  | 10%                         |
| Pressure Ranges:       | 2-10, 6-30, 20-130          |
| Max Pressure:          | 600 psi                     |
| Set Point Tolerance:   | +/- 1 Psi or 5%             |
| *Contact Rating:       | 4A                          |
| Diaphragm Material:    | Buna N                      |
| Max Operating Cycles:  | 200/min                     |
| Temperature Range:     | -40 to 250 F (-40 to 121 C) |
| Voltage Range:         | 12 V DC to 250 V AC         |
| Sealing/Protection:    | IP 65                       |
| Housing Material:      | Brass                       |
| Electrical Connection: | 3-Pin Micro (12 mm)         |

\*Comes standard with gold plated contacts.

#### Dimensions in inches (millimeters in parenthesis)



#### NPTF Thread Model Selection

| NPTF    | MODEL      | PSIG (BAR)         |
|---------|------------|--------------------|
| 1/8 NPT | PS182AAN01 | 2-10 (0.14-0.69)   |
| 1/8 NPT | PS182BAN01 | 6-30 (0.40-2.07)   |
| 1/8 NPT | PS182CAN01 | 20-130 (1.38-8.96) |
| 1/4 NPT | PS182AAN02 | 2-10 (0.14-0.69)   |
| 1/4 NPT | PS182BAN02 | 6-30 (0.40-2.07)   |
| 1/4 NPT | PS182CAN02 | 20-130 (1.38-8.96) |

#### BSPP Thread Model Selection

| BSPP     | MODEL      | PSIG (BAR)         |
|----------|------------|--------------------|
| 1/8 BSPP | PS182AAG01 | 2-10 (0.14-0.69)   |
| 1/8 BSPP | PS182BAG01 | 6-30 (0.40-2.07)   |
| 1/8 BSPP | PS182CAG01 | 20-130 (1.38-8.96) |
| 1/4 BSPP | PS182AAG02 | 2-10 (0.14-0.69)   |
| 1/4 BSPP | PS182BAG02 | 6-30 (0.40-2.07)   |
| 1/4 BSPP | PS182CAG02 | 20-130 (1.38-8.96) |

#### Female Single Ended Cordset

| CONNECTOR TYPE | CONNECTOR LENGTH | MODEL NUMBER |
|----------------|------------------|--------------|
| 90° Elbow      | 5 Meters         | PS182-5-90   |
| Straight       | 5 Meters         | PS182-5-ST   |



### Reclassifiers



H40-08 pictured

#### Application

The Numatics Reclassifier is an exhaust coalescing filter/silencer. Its design removes oil mist and reduces noise from exhaust ports on pneumatic air valves, cylinders, and air control systems at extremely high flow rates.

The Numatics Reclassifier can be mounted to exhaust ports on any valve or manifold using a common exhaust base or by combining exhaust ports. Mounting it vertically fully utilizes the oil-catching sump surrounding the filter element and provides easy draining.

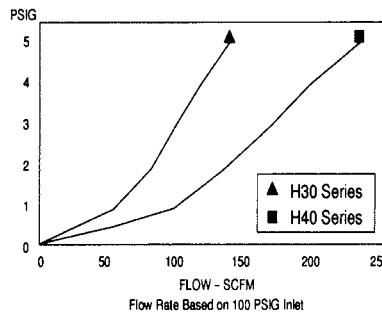
#### Features

- 99% oil removal efficiencies
- 25 dBA noise reduction
- high exhaust flow rates
- low differential back pressures
- top performer in automated paint systems
- 1 micron filtration
- manual or continuous drain option
- metric threads available

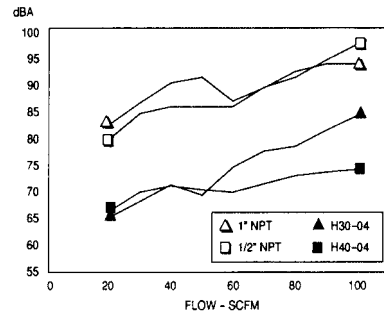
#### Specifications

Maximum temperature: 125° F (52° C) CV rating (30 Series): 6  
 Maximum pressure: 100 PSIG (7 bar) CV rating (40 Series): 10

#### Air Flow vs. Back Pressure



#### Air Flow vs. Sound Level



### Reclassifiers

#### ► Element Replacement Kits

includes filter element only

| kit #  | description                   |
|--------|-------------------------------|
| EKF30H | 30 Series, 1 micron coalescer |
| EKF40H | 40 Series, 1 micron coalescer |

#### ► Bowl Replacement Kits

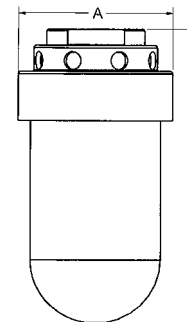
includes bowl and o-ring

| kit #  | description                   |
|--------|-------------------------------|
| BKF30  | 30 Series, polycarbonate bowl |
| BKF30C | 30 Series, CircleVision™ bowl |
| BKF30M | 30 Series, metal bowl         |
| BKC40  | 40 Series, polycarbonate bowl |

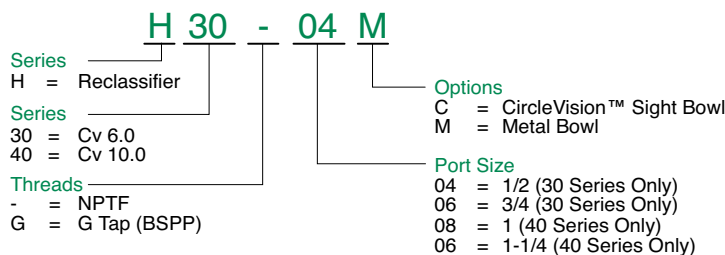
#### Dimensions

top dimensions = inches  
 bottom dimensions (in parenthesis) = millimeters

| MODEL  | A            | B              |
|--------|--------------|----------------|
| H30-04 | 2.5<br>(64)  | 7<br>(178)     |
| H30-06 | 2.5<br>(64)  | 7<br>(178)     |
| H40-08 | 3.75<br>(95) | 7.245<br>(184) |
| H40-10 | 3.75<br>(95) | 7.245<br>(184) |



### How to Order





## FRL Accessories Pressure Switches, Gauges & Options

# NUMATICS®

### Electronic Drain Valves



EDV-04-110AC pictured

#### Application

Eliminate the manual draining of air lines with the EDV Series Electronic Drain Valve from Numatics. The EDV Series valve is designed to remove condensation from filters, receiver tanks, separators, drip legs, drain traps, and dryers in electronically controlled intervals. The EDV valve is available in 1/4, 3/8, and 1/2 sizes. The large orifice allows even the largest rust and pipe scale particles to be easily expelled. Standard model includes a 110 volt AC solenoid, 6 ft (2 m) power cord, and grounded plug. An EDV valve can be installed virtually anywhere.

#### Specifications

##### Valve

- Function: 2 way, NC, solenoid valve
- Valve Design: pilot operated diaphragm valve
- Port Sizes: 1/4, 3/8
- Orifice: 5/16" (8mm) 1.12 Cv 1/2" (12mm) 2.45 Cv
- Operating Pressure: 20-300 PSIG (1.3-20 bar)
- Solenoid: continuous duty
- Mounting: any position
- Body Material: brass

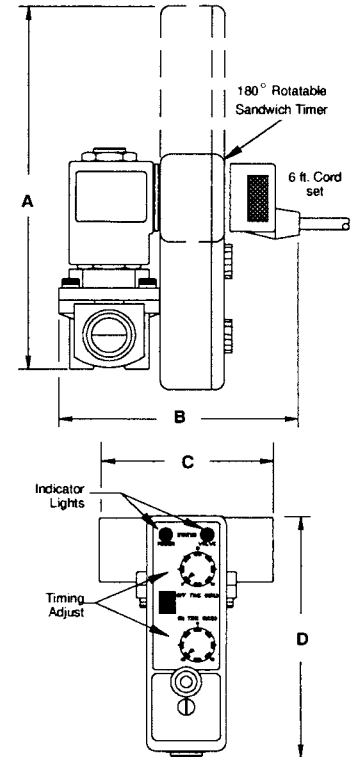
##### Timer

- Material: plastic polyamid
- Interval Timer: 1-45 min.
- 'On' Timer: .25-25 sec
- Voltage: 12-230 V AC/DC
- Frequency: 50/60 Hz
- Power Rating: 10 watt
- Enclosure: NEMA 4 / IP65
- Ambient Temp: 130° F (55° C)

##### Lights

- Left Indicator: power on
- Right Indicator: solenoid engaged

#### Dimensions



| PORT SIZE | A             | B           | C            | D            |
|-----------|---------------|-------------|--------------|--------------|
| 1/4,3/8   | 5.75<br>(146) | 3.5<br>(89) | 2.25<br>(57) | 3.75<br>(95) |
| 1/2       | 6.0<br>(152)  | 3.5<br>(89) | 2.75<br>(70) | 3.75<br>(95) |

dimensions in inches (millimeters in parentheses)

### How to Order

## EDV - 04 - 110 AC

#### Model

EDV = Electronic Drain Valve

#### Threads

- = NPT  
B = BSPT

#### Port Size

02 = 1/4  
03 = 3/8  
04 = 1/2

#### Current

AC  
DC

#### Voltage

12  
24  
110  
230

#### Connector

- = 6 ft. (2 Meter) Power Cord  
(with grounded plug)  
X = Conduit Connector



### Inline Filters

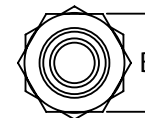
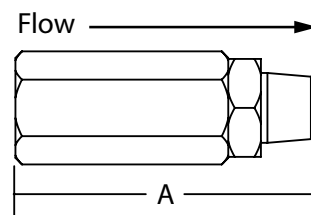
#### L Series

L Series in-line filters are designed to protect small air tools such as grinders, impact wrenches, nut runners, screwdrivers or pneumatic components. It will extend component life and reduces downtime by preventing foreign particles from entering the tool. Therefore eliminating expensive tool repair.

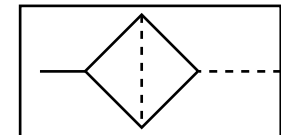
Its compact and lightweight anodized aluminum body can be easily installed directly inline before the tool or component.

L Series inline filters can also be used in low-pressure hydraulic applications. They can remove debris or contaminants, hence decrease tool wear and improve system efficiency. The 40-micron filter element insures minimum pressure drop and can be easily replaced or cleaned.

#### Drawings



#### ANSI Symbol



### Specifications

| Model                  | L1MN   | L2MN    | L3MN    | L4MN     | L5MN   |
|------------------------|--|---------|---------|----------|--------|
| Port Size              | 1/8"   | 1/4"    | 3/8"    | 1/2"     | 3/4"   |
| Overall Length (A)     | 2-3/16"  | 2-3/16" | 2-5/16" | 3-13/16" | 3-7/8" |
| HEX (B)                | 3/4"   | 3/4"    | 7/8"    | 1-1/2"   | 1-1/2" |
| Material               | Body: Anodized Aluminum<br>Element: Sintered Bronze (40 micron standard) |         |         |          |        |
| MAX Operating Pressure | 300 PSI (21.1 ig./cm <sup>2</sup> )                                      |         |         |          |        |
| Operating Temperature  | 35~200°F (1.6~93.3°C)  |         |         |          |        |

### Flow

Flow is based on 100 psi inlet and the Delta P shown below.

| Model |           | 5 PSID | 4 PSID | 3 PSID | 2 PSID | 1 PSID |
|-------|-----------|--------|--------|--------|--------|--------|
| L1MN  | Flow SCFM | 21     | 19     | 18     | 13     | 6      |
| L2MN  | Flow SCFM | 37     | 24     | 20     | 15     | 10     |
| L3MN  | Flow SCFM | 33     | 26     | 24     | 19     | 10     |
| L4MN  | Flow SCFM | 150    | 95     | 80     | 50     | 20     |
| L5MN  | Flow SCFM | 195    | 188    | 165    | 130    | 25     |

### Element Kits

|               |        |
|---------------|--------|
| L1, L2, L3 MN | EKL123 |
| L4, L5 MN     | EKL45  |



### Oxygen Concentrator Regulator



#### Application

The 03 series specialty miniature regulator is designed for applications requiring precision control at a very low cost. Used primarily in OEM applications, the 03 series can be applied in applications using air, nitrogen, oxygen, water, and other inert gases/fluids. Its lightweight all plastic design allows use in many specialty environments. This regulator has been applied successfully in many different markets including:

- Oxygen: concentrators, analyzers, anesthesia
- Adhesive: Applicators, metering equipment
- Paint: spray systems, head control
- Water service: filtration, control, aeration
- Test equipment: leak test, air gauging, flow test

#### Features

- Flows accurate to 0.1 psi in low flow applications
- Four spring ranges available as a standard. 0-15 psi, 0-30 psi, 0-60 psi, 0-100psi.
- Relieving or non relieving models.
- Tamper-resistant or adjustable designs available.

- Body Design Features

#### **101 / 102 series**

- Barb fitting outlet designed for use with 1/4 inch id tubing allows fast assembly.
- Threaded 1/8 supply is male eliminates extra fitting.
- Tamperproof or preset knob.

#### **201 / 202 series**

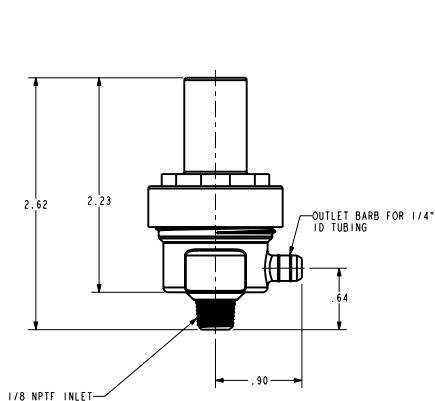
- Barb fitting outlet designed for use with 1/8 inch id tubing allows fast assembly.
- Manifold inlet and outlet ports.
- Quick assembly with fixed height dimension.
- Tamperproof or preset knob.

#### Specifications

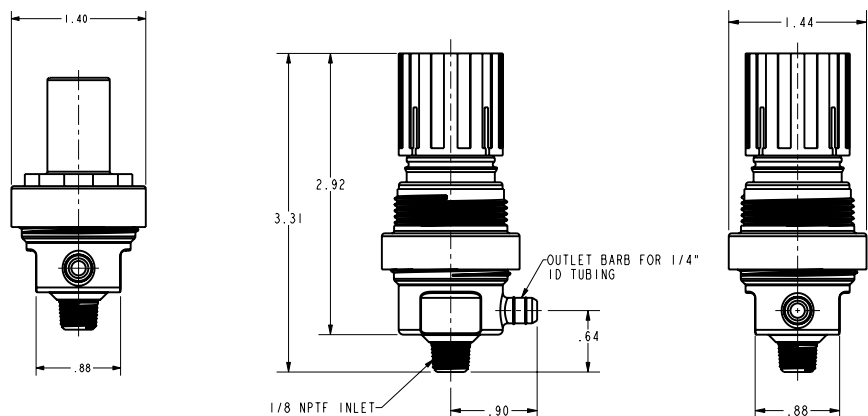
Temperature Range: 40-120F (4-50C)  
 Max inlet Pressure: 150 PSIG (10bar)  
 Weight:  
 SCFM with 100psi inlet set at 75 psi: 70 lpm  
 SCFM with 100psi inlet set at 60 psi: 50 lpm  
 SCFM with 100psi inlet set at 40 psi: 30 lpm  
 SCFM with 100psi inlet set at 10 psi: 10 lpm  
 Body Material: Delrin

Dimensions in inches (millimeters in parenthesis)

R03N-101



R03N-102



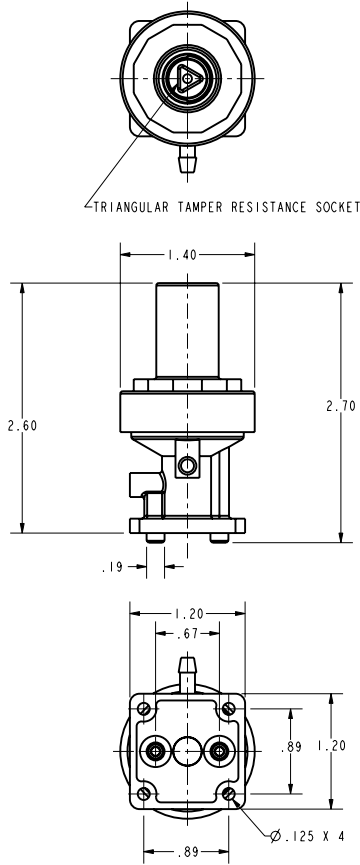




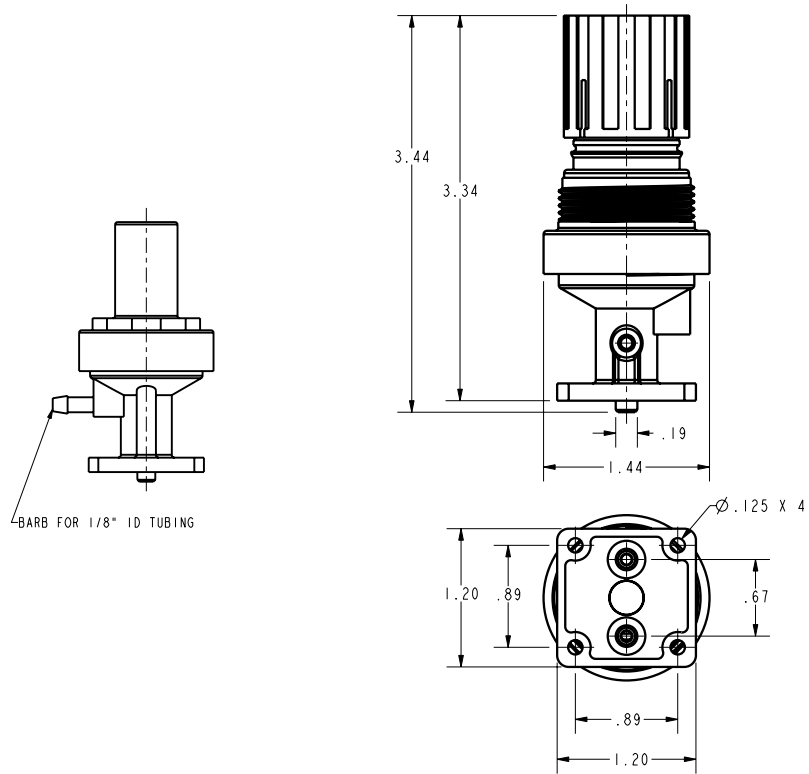
## Oxygen Concentrator Regulator

Dimensions in inches (millimeters in parenthesis)

R03N-201



R03N-202



### How to Order

|               |                               |                   |              |   |
|---------------|-------------------------------|-------------------|--------------|---|
|               | <b>R03</b>                    | <b>N</b>          | <b>- 101</b> |   |
| <b>Series</b> | Oxygen Concentrator Regulator |                   |              | <b>Model</b>  |
| <b>Style</b>  | R = Relieving                 | N = Non-Relieving |              | 101/102 = 1/8 NPT Bottom Connection (barb outlet, see drawings) |
|               |                               |                   |              | 201/202 = Manifold Inlet/Outlet (see drawings)                  |



## FRL Accessories Pressure Switches, Gauges & Options

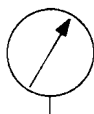
### Gauges



GA300 pictured



214-194 pictured



ANSI SYMBOL

### Application

Numatics gauges are widely used on compressors, filter/regulators ('piggy-backs'), water pumps, paint sprayers, and a variety of other applications for measuring the pressure of the air passing through the component.

Numatics Liquid Filled pressure gauges provide maximum service life for your pneumatic gauge applications. Each glycerine filled model is designed to prevent harmful environments or severe vibration from causing premature gauge failure.

### Features

- Utilizes a Power Flex movement with polyester segment, contributing to longer gauge life.
- ABS (Acrylonitrile, Butadiene, Styrene) casing is ideal for rugged applications and harsh environmental conditions
- Full view polycarbonate window for better dial visibility.

### Specifications

All Numatics Gauges

Sizes: 1.5", 2"

Case: Black ABS Composite

Ring: None

Window: Polycarbonate

Dial: Green, Red, and Black on White Background

Pointer: Black Aluminum

Socket: Brass

Liquid Filled Gauges

Liquid Used: Glycerine

Connection: Center Back Mount

### Available Models

#### Numatics Gauges

| MODEL | FACE DIAMETER | THREAD SIZE | PRESSURE RANGE (PSIG) | PRESSURE RANGE (BAR) |
|-------|---------------|-------------|-----------------------|----------------------|
| GB005 | 2.0"          | 1/4 NPT     | 0-5                   | 0-0.5                |
| RB005 | 2.0"          | 1/4 BSPT    | 0-5                   | 0-0.5                |
| GB015 | 2.0"          | 1/4 NPT     | 0-15                  | 0-1.0                |
| RB015 | 2.0"          | 1/4 BSPT    | 0-15                  | 0-1.0                |
| GA030 | 1.5"          | 1/8 NPT     | 0-30                  | 0-2.0                |
| RA030 | 1.5"          | 1/8 BSPT    | 0-30                  | 0-2.0                |
| GA060 | 1.5"          | 1/8 NPT     | 0-60                  | 0-4.0                |
| RA060 | 1.5"          | 1/8 BSPT    | 0-60                  | 0-4.0                |
| GA100 | 1.5"          | 1/8 NPT     | 0-100                 | 0-7.0                |
| RA100 | 1.5"          | 1/8 BSPT    | 0-100                 | 0-7.0                |
| GA160 | 1.5"          | 1/8 NPT     | 0-160                 | 0-11.0               |
| RA160 | 1.5"          | 1/8 BSPT    | 0-160                 | 0-11.0               |
| GA300 | 1.5"          | 1/8 NPT     | 0-300                 | 0-20.0               |
| RA300 | 1.5"          | 1/8 BSPT    | 0-300                 | 0-20.0               |
| GB030 | 2.0"          | 1/4 NPT     | 0-30                  | 0-2.0                |
| RB030 | 2.0"          | 1/4 BSPT    | 0-30                  | 0-2.0                |
| GB060 | 2.0"          | 1/4 NPT     | 0-60                  | 0-4.0                |
| RB060 | 2.0"          | 1/4 BSPT    | 0-60                  | 0-4.0                |
| GB100 | 2.0"          | 1/4 NPT     | 0-100                 | 0-7.0                |
| RB100 | 2.0"          | 1/4 BSPT    | 0-100                 | 0-7.0                |
| GB160 | 2.0"          | 1/4 NPT     | 0-160                 | 0-11.0               |
| RB160 | 2.0"          | 1/4 BSPT    | 0-160                 | 0-11.0               |
| GB300 | 2.0"          | 1/4 NPT     | 0-300                 | 0-20.0               |
| RB300 | 2.0"          | 1/4 BSPT    | 0-300                 | 0-20.0               |

#### Numatics 14 Series Manifold Regulator Gauges

| MODEL  | FACE DIAMETER | THREAD SIZE | PRESSURE RANGE (PSIG) | PRESSURE RANGE (BAR) |
|--------|---------------|-------------|-----------------------|----------------------|
| GB060A | 1.5"          | 1/4 NPT     | 0-60                  | 0-4.0                |
| RB060A | 1.5"          | 1/4 BSPT    | 0-60                  | 0-4.0                |
| GB160A | 1.5"          | 1/4 NPT     | 0-160                 | 0-11.0               |
| RB160A | 1.5"          | 1/4 BSPT    | 0-160                 | 0-11.0               |

#### Numatics Liquid-Filled Gauges

| MODEL   | FACE DIAMETER | THREAD SIZE | PRESSURE RANGE (PSIG) | PRESSURE RANGE (BAR) |
|---------|---------------|-------------|-----------------------|----------------------|
| 214-194 | 1.5"          | 1/8         | 0-160                 | 0-11                 |
| 214-195 | 2.0"          | 1/4         | 0-160                 | 0-11                 |
| 214-196 | 1.5"          | 1/8         | 0-60                  | 0-4                  |

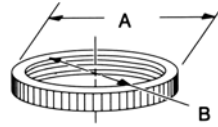


### Mounting Brackets

#### Application

Mounting brackets are used to fix a regulator, piggy-back or **FLEXIBLOK®** assembly to a panel as an alternative to the integral mounting holes located in the 22, 32 and 42 Series **FLEXIBLOK®** heads. They are also used as an alternative to a hard piped mounting system for the 12, 50, 70 and 72 Series filter product lines.

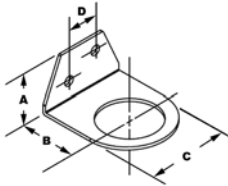
#### Panel Mount Nuts



Panel mount nuts thread onto the bonnet of the regulator to secure the unit against the mounting bracket.

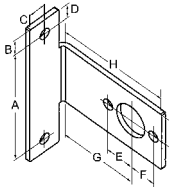
| MODEL | SERIES                                     | A         | B                  | HOLE DIA. |
|-------|--|-----------|--------------------|-----------|
| PN12  | 12 Series FlexiBlok<br>72 Series Stainless | 1.5 (38)  | 1-3/16-16          | 1.25 (32) |
| PN22  | 22 Series FlexiBlok                        | 1.5 (38)  | 1-1/4-16           | 1.31 (33) |
| PN32P | 32 Series FlexiBlok                        | 2.05 (52) | 1-3/4-16           | 1.77 (45) |
| PN70S | 70 Series Stainless Steel                  | 2.0 (51)  | 1-3/4-18<br>UNS-2B | 1.75 (44) |

### Models and Dimensions



**PK12, PK22 Mounting Bracket for 12 and 22 Series FLEXIBLOK® Regulator and Piggyback**  
includes bracket and panel mount nut (see panel mount nut dimensions below)

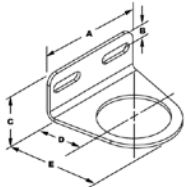
| Series | Model #     | Dimensions |           |           |           |
|--------|-------------|------------|-----------|-----------|-----------|
|        |             | A          | B         | C         | D         |
| 12,22  | PK12 & PK22 | 1.05 (27)  | 1.19 (30) | 1.75 (44) | .625 (16) |



**BRK14AB Mounting Bracket for 14 Series FLEXIBLOK® Regulator and Piggyback**  
includes left and right brackets, 2 left side bolts, and 2 right side nuts (see dimensions below)

| Kit #   | Dimensions |         |         |         |         |         |          |           |          |
|---------|------------|---------|---------|---------|---------|---------|----------|-----------|----------|
|         | A          | B       | C       | D       | E       | F       | G        | H         | I        |
| BRK14AB | 2.78 (71)  | .35 (9) | .4 (10) | .35 (9) | .6 (15) | .6 (15) | 1.8 (46) | 2.62 (67) | .73 (19) |

The right bracket mounts using the bolts that are included with the unit the bracket is being mounted to.



**PK32 Mounting Bracket for 32 Series FLEXIBLOK® Regulator and Piggyback**  
includes bracket and panel mount nut (see panel mount nut dimensions below)

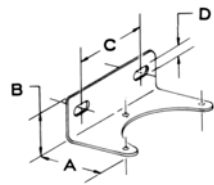
| Series | Model # | Dimensions |          |           |          |           |
|--------|---------|------------|----------|-----------|----------|-----------|
|        |         | A          | B        | C         | D        | E         |
| 32     | PK32    | 2.75 (70)  | .41 (10) | 1.19 (30) | 1.5 (38) | 2.67 (68) |



**BRK22AB Mounting Bracket for 22 Series FLEXIBLOK®**  
includes left bracket, right bracket, 2 right side bolts, 2 right side nuts

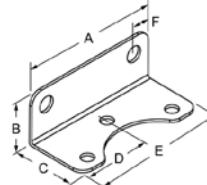
| Kit #   | Dimensions |           |           |          |         |          |        |
|---------|------------|-----------|-----------|----------|---------|----------|--------|
|         | A          | B         | C         | D        | E       | F        | G      |
| BRK22AB | 1.57 (39)  | .785 (20) | 1.45 (37) | 2.9 (74) | .4 (10) | 3.5 (89) | 1 (25) |

dimensions shown for BRK22A. BRK22B is a mirror of BRK22A  
Drawing and/or dimensions subject to change



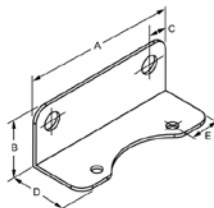
**PK50, PK50A, PK50B Mounting Bracket for 50 Series High Flow Regulator**  
includes one bracket

| Port Size   | Kit # | Dimensions |           |           |         |
|-------------|-------|------------|-----------|-----------|---------|
|             |       | A          | B         | C         | D       |
| 1/4 & 3/8   | PK50A | 2.25 (57)  | 1.19 (30) | 1.88 (48) | .27 (7) |
| 1/2         | PK50B | 2.25 (57)  | 1.06 (27) | 1.88 (48) | .27 (7) |
| 3/4 - 1 1/2 | PK50  | 2.94 (75)  | 1.75 (44) | 3.25 (83) | .33 (8) |



**PK88\* Mounting Bracket for R87 Series Ratio Relay Volume Booster and R88 Series High Flow Precision Regulator**  
includes one bracket

| Kit # | Dimensions |           |           |          |        |         |
|-------|------------|-----------|-----------|----------|--------|---------|
|       | A          | B         | C         | D        | E      | F       |
| PK88  | 3 (76)     | 1.13 (29) | 1.38 (35) | 1.5 (38) | 3 (76) | .4 (10) |



**PK89\* Mounting Bracket for 89 Series Instrument Air Regulator**  
includes one bracket

| Kit # | Dimensions |           |           |           |           |
|-------|------------|-----------|-----------|-----------|-----------|
|       | A          | B         | C         | D         | E         |
| PK89  | 3 (76)     | 1.13 (29) | .375 (10) | 1.12 (28) | .625 (16) |



## FRL Accessories Pressure Switches, Gauges & Options



### Modular Air Systems



#### Applications

The modular concept offers custom design capabilities for compact air control systems. This design eliminates fittings and potential air leaks, thus reducing cost, space, and installation time.

#### Features

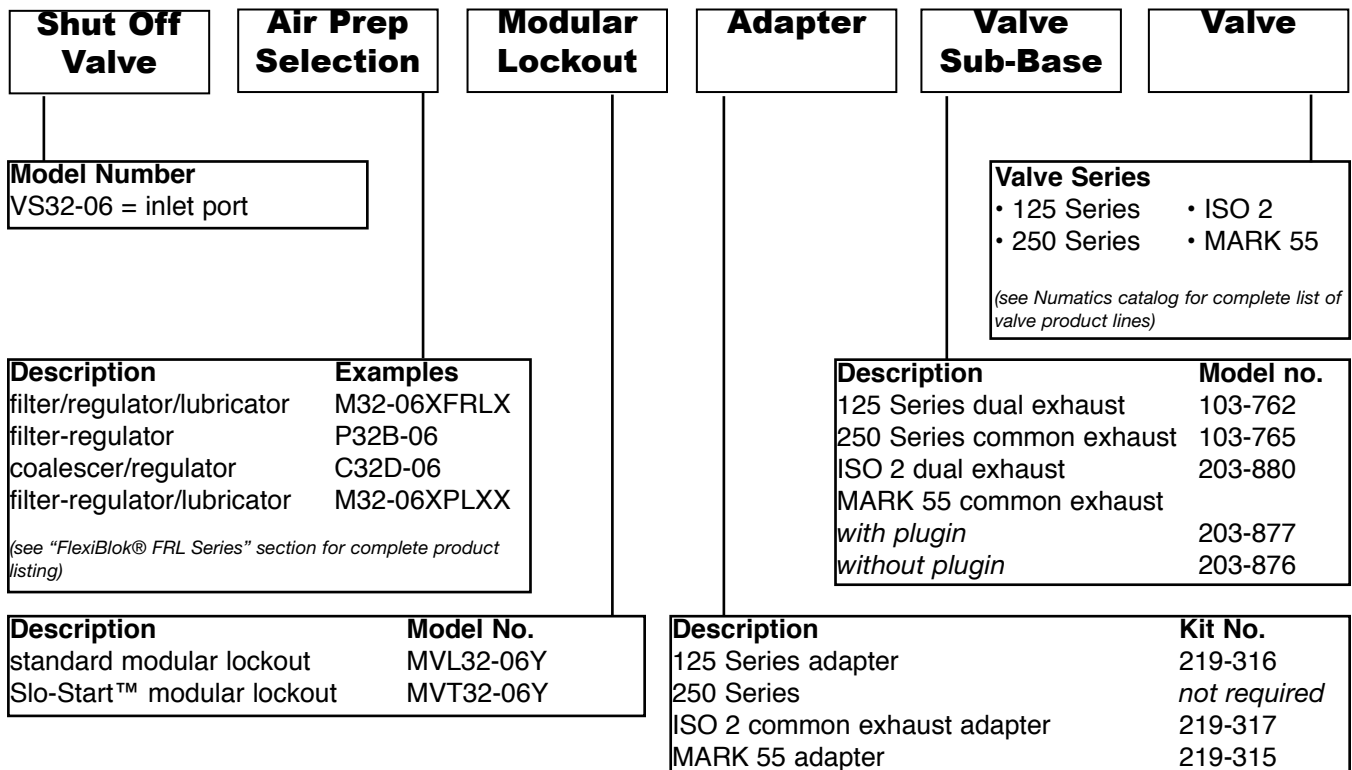
- Modular adaptable to **FLEXIBLOK® 32** Series 3/4 port sizes (06)
- Easy installation and service
- High exhaust capacity
- Low friction startup
- Brad Harrison connection (optional)
- Exhaust reclassifier (optional)
- Slow Start Valve (optional)
- Meets OSHA specifications
- Lockable venting supply slide valve
- Common exhaust

NOTE: Lockout valve must be placed downstream of filtration equipment, which will prevent damage to components from backflow.

#### To Order

Purchase as individual components from the selections below, or for a complete list of Numatics modular air preparation products, consult your local representative.

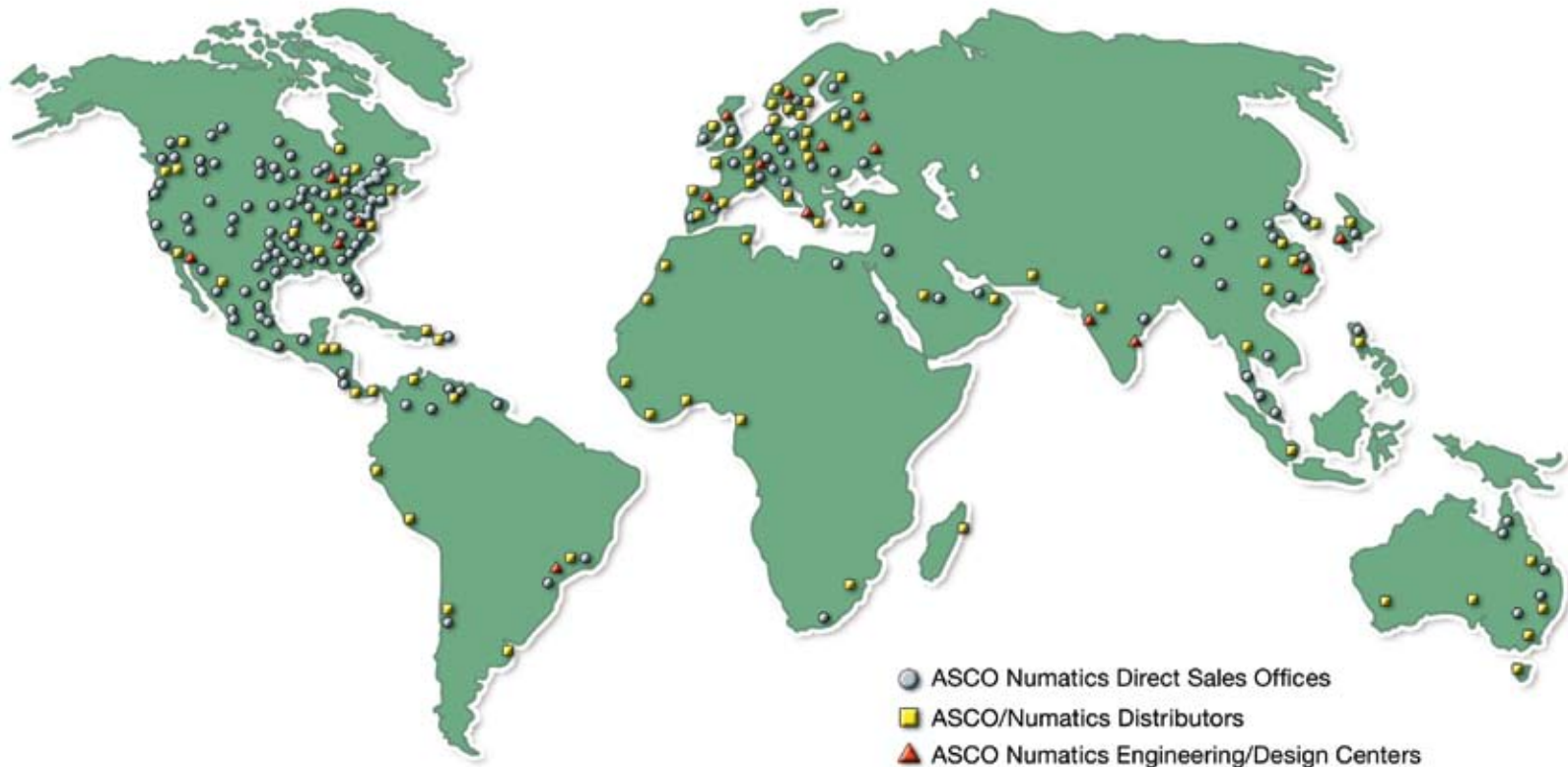
### 32 Series Modular Air Systems How to Order





# NUMATICS

*World Class Supplier  
of Pneumatic Components*



## WORLD HEADQUARTERS

### USA

#### Numatics, Incorporated

46280 Dylan Drive  
Novi, Michigan 48377

P: 1-888-Numatics  
1-888-686-2842

### Canada

#### Numatics, Ltd

P: 519-452-1777

### Mexico

#### Numatics de Mexico S.A. de C.V.

P: 52-222-284-6176

For a comprehensive listing of all Numatics production and distribution facilities worldwide, visit:

[www.numatics.com](http://www.numatics.com)