



## VAREC 42 SERIES SAMPLING AND GAUGING HATCH COVERS

Lockable covers designed to provide quick access to tanks for product gauging, temperature measurement and sampling



### FEATURES

- Non-sparking design.
- Corrosion resistant 356 HT aluminum construction as standard.
- Choice of NBR, PTFE and FKM seat inserts.
- Lockdown device allows for a gas-tight seal up to 3 psig (20.7 kPa).
- Ergonomically friendly handwheel with padlock feature to prevent unauthorized tank access.
- Safety foot pedal frees operator's hands while gauging or sampling the tank contents.
- Once open, the cover can remain open for ease of use.
- Optional steel base available for welding to the tank roof.

### GENERAL APPLICATION

The 42 Series hatch covers are installed on tanks to provide access for gauging, temperature measurement and sampling.

### TECHNICAL DATA

Materials:	Aluminum (standard) Other materials available on request
Sizes:	4" to 10" (100 to 250 mm)
Connections:	Drilled flange

# VAREC 42 SERIES SAMPLING AND GAUGING HATCH COVERS

## SPECIFICATIONS

### DIMENSIONS AND WEIGHTS, In. (mm) and lbs. (kg)

Size code		4	6	8	0
A	Nominal pipe size	4 (100)	6 (150)	8 (200)	10 (250)
B	Height	5¼ (146)	6¾ (171)	6¾ (171)	7 (178)
C	Flange diameter	9 (229)	11 (279)	13½ (343)	16 (406)
D	Flange thickness	½ (13)	9/16 (14)	9/16 (14)	5/8 (16)
E	Clearance	8½ (206)	9¾ (248)	10¾ (276)	12 (305)
F	Diameter bolt circle	7½ (191)	9½ (241)	11¾ (298)	14¼ (362)
G	Number of holes	8	8	8	12
H	Hole size	¾ (19)	7/8 (22)	7/8 (22)	1 (25)
	Approximate shipping weight	10 (4.5)	12 (5.4)	15 (6.8)	20 (9.1)

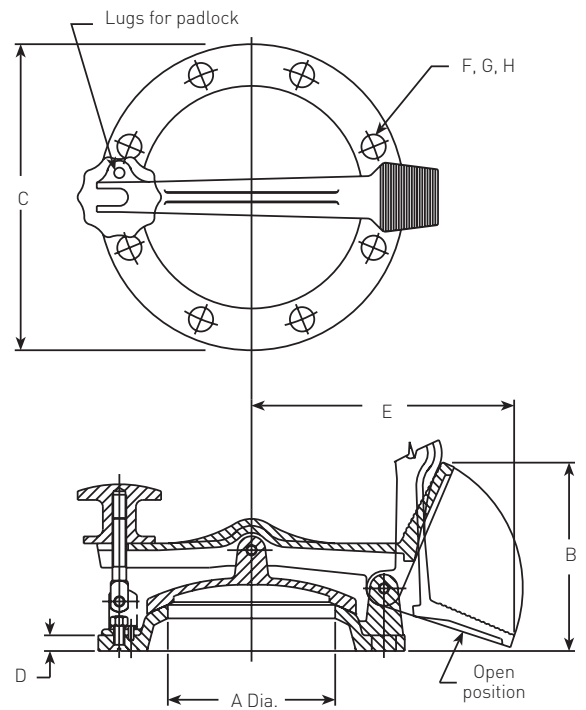
Shipping weights shown for aluminum construction. Flange drilling per ANSI 150# flat face flange. Dimensions are for preliminary general information and should not be used for construction purposes. Certified dimensional drawings are available upon request.

### MATERIALS OF CONSTRUCTION

Base	Cover	Seat insert
Aluminum	Aluminum	NBR/FKM/PTFE
Carbon steel	Aluminum	NBR/FKM/PTFE
Stainless steel	Stainless steel	NBR/FKM/PTFE

### SELECTION GUIDE

Example:	42	4	11	B	A
<b>Model</b>	42				
	Sampling and gauging hatch - lock down cover				
<b>Size</b>					
4	4"				
6	6"				
8	8"				
0	10"				
<b>Materials</b>					
	<b>Base</b>	<b>Cover</b>			
11	Aluminum	Aluminum			
31	Carbon steel	Aluminum			
66	Stainless steel	Stainless steel			
<b>Insert material</b>					
B	NBR				
V	FKM				
T	PFFE				
<b>Connection type</b>					
A	Flat face flange drilled to ANSI 150 (standard)				
W	Welded connection (available on carbon steel base only)				
D	DIN flat face flange				



**Example:** 4" 42 Series sampling and gauging hatch cover, all aluminum with NBR insert with flat face flange drilled to ANSI 150 (standard).



