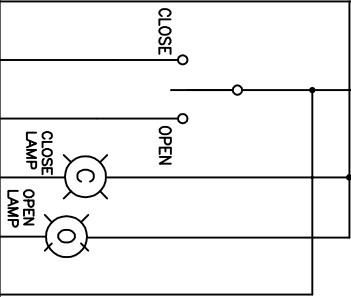
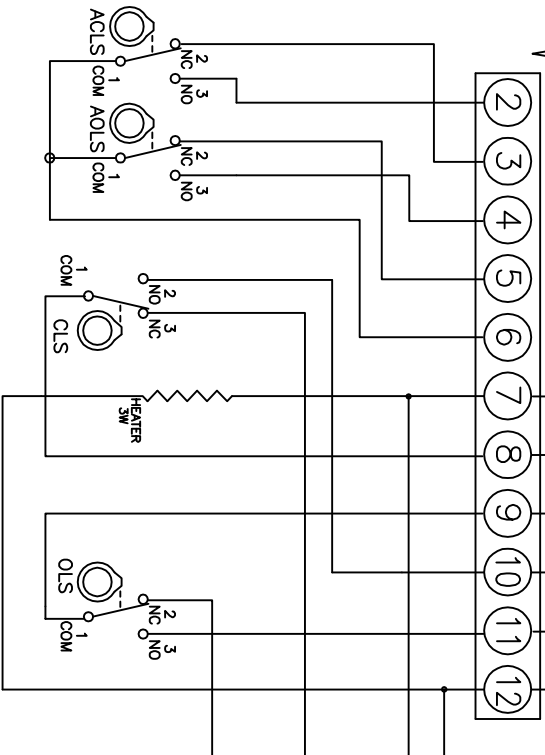


DC ( 24 V )

AUX. CONTACT  
2 EXTRA SWITCHES  
MAX. 250VAC 5A

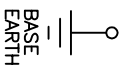
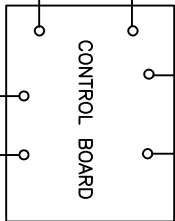
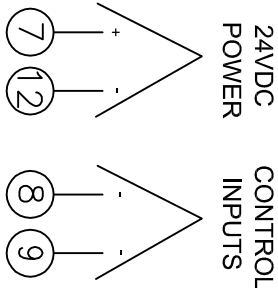


SUGGESTED CUSTOMER'S WIRING  
ACTUATOR WIRING



### ALTERNATIVE VIEW

CONTROL INPUTS ARE EASILY DRIVEN BY A RELAY OR TRANSISTOR. THE INPUT IS ACTIVATED BY CONNECTING THE DESIRED INPUT TO THE NEGATIVE POWER SOURCE. EACH INPUT DRAWS ONLY 10mA AND PULLS UP TO A REGULATED 10V SOURCE.



### AC/DC 24V Control Unit

DIP SWITCH			
Mode	1	2	
DC	ON	OFF	
AC	OFF	ON	

THE DESIGN AND DISCLOSURE CONTAINED IN THIS DRAWING WAS ORIGINATED BY AND IS EXCLUSIVE PROPERTY OF A-T CONTROLS, INC. IT IS FURNISHED FOR YOUR INFORMATION ONLY AND IS NOT AN AUTHORIZATION OR LICENSE TO MAKE THIS CONSTRUCTION OR TO FURNISH THIS INFORMATION TO OTHERS. ALL DRAWINGS MUST BE RETURNED TO A-T CONTROLS, INC. ON DEMAND. THIS DRAWING IS NOT TO BE REPRODUCED OR COPIED IN ANY FORM WITHOUT THE EXPRESS WRITTEN PERMISSION OF A-T CONTROLS, INC.

**TRIP**  
**CONTROLS**

Division of A-T Controls, Inc.  
11363 Deerfield Road  
Cincinnati, Ohio 45242  
Phone: (513) 247-5465  
Fax: (513) 247-5462

DATE	BY	APPROVED
02/03/06	SAH	

TITLE WE-500A 24VDC ELECTRIC ACTUATOR

ECN#	DATE	BY

