

214A RTD AND THERMOCOUPLES  
WITH CONNECTION HEAD

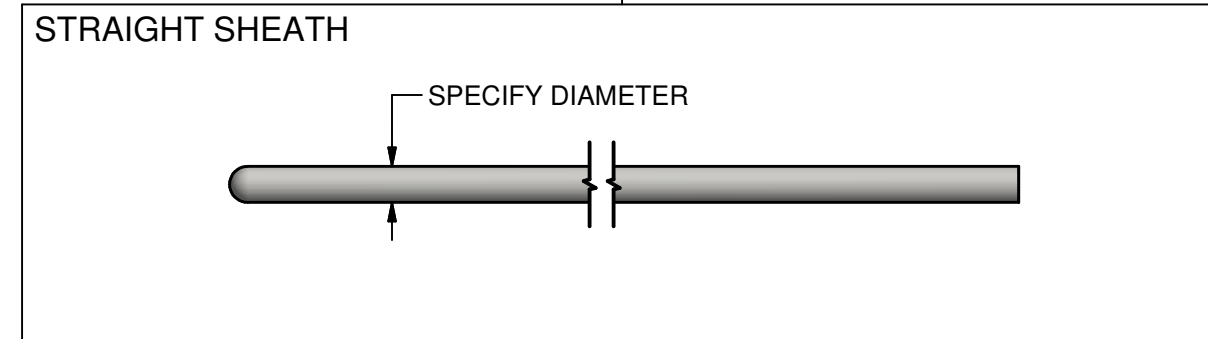
RTD TYPES:  
CLASS A, CLASS B, (1/5) CLASS B, GRADE B  
AVAILABLE IN SINGLE AND DUPLEX CONSTRUCTION  
AVAILABLE IN 2, 3, OR 4 WIRE TERMINATIONS

THERMOCOUPLE TYPES:  
E, J, K, T  
AVAILABLE IN SINGLE AND DUPLEX CONSTRUCTION

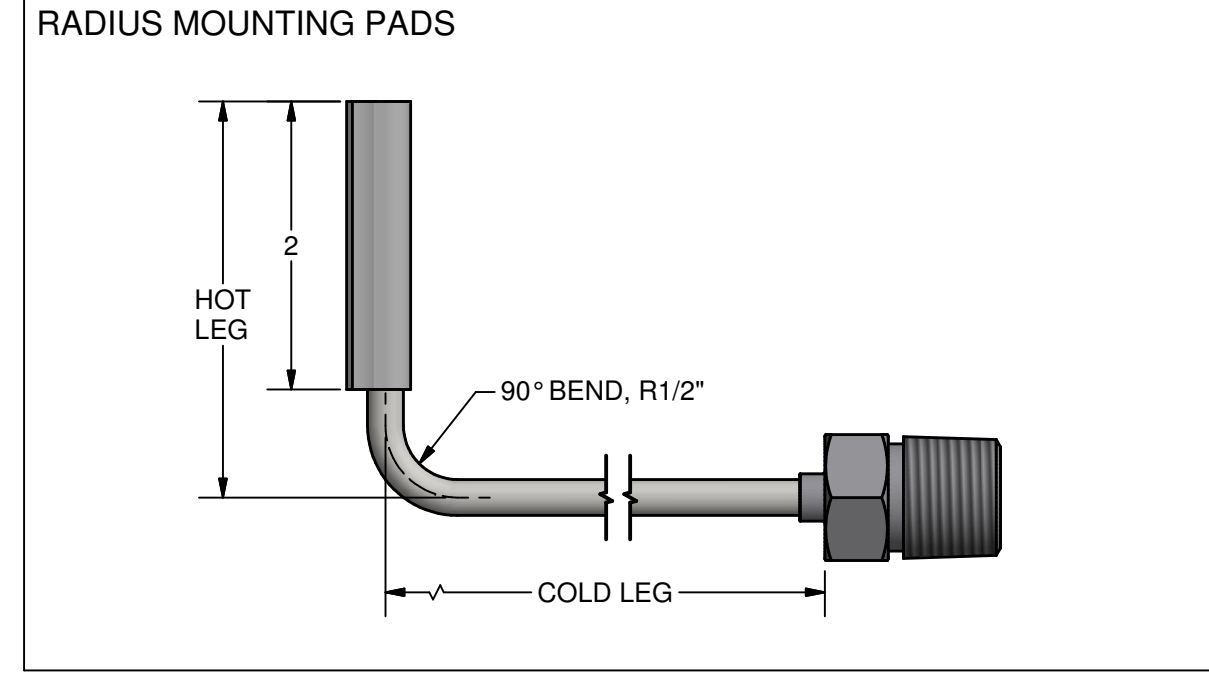
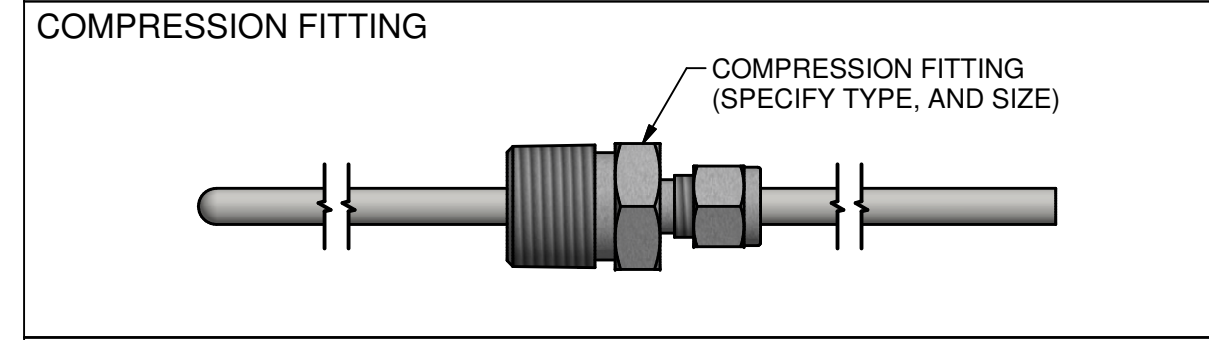
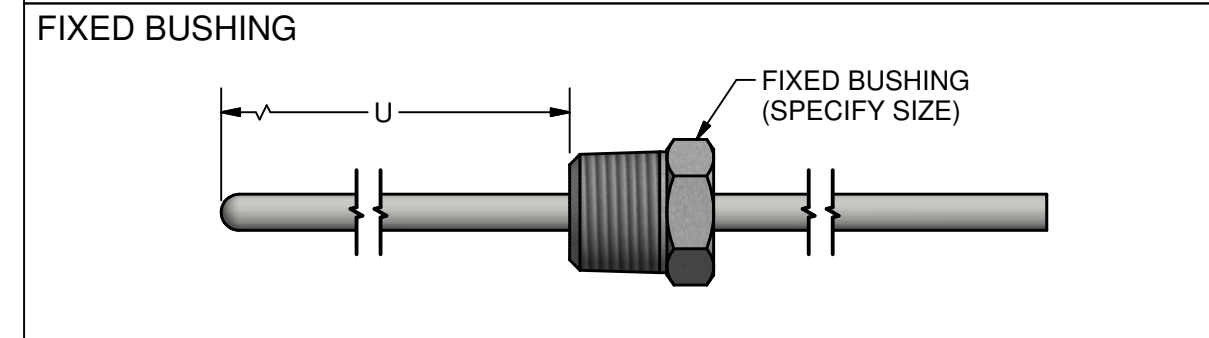
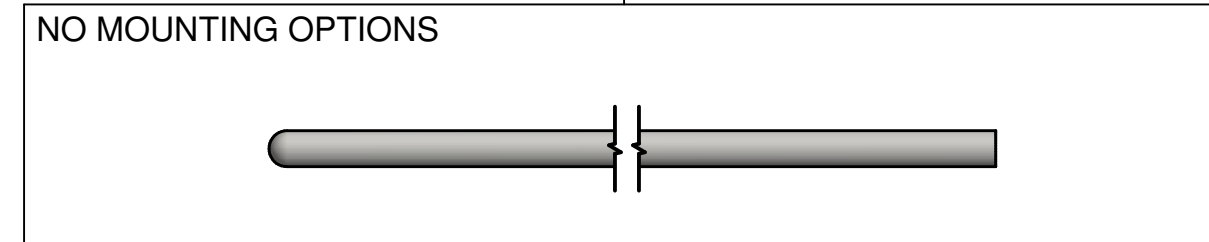
ALL SHEATHS AND FITTINGS ARE STAINLESS STEEL

FOR NORTH AMERICA ONLY

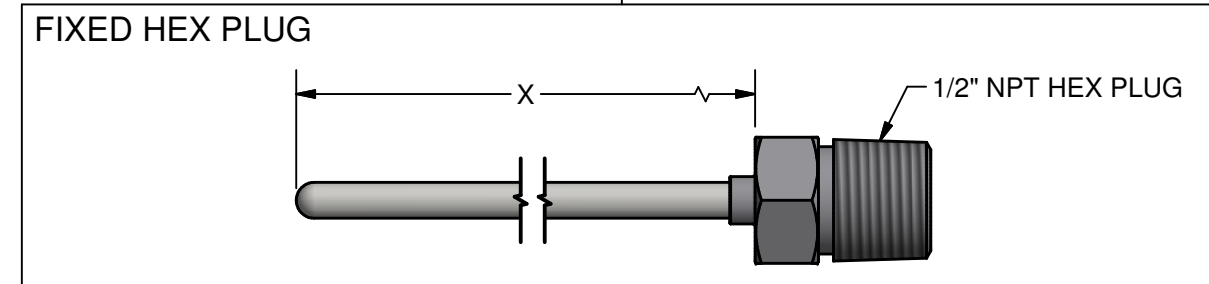
REVISION TABLE			
REVISION	ECO NO.	APP'D	DATE
AA		NEILL L.	12/18/17
DESCRIPTION			
LOCATION P1-A-8: ADDED NOTE: "FOR NORTH AMERICA ONLY"			



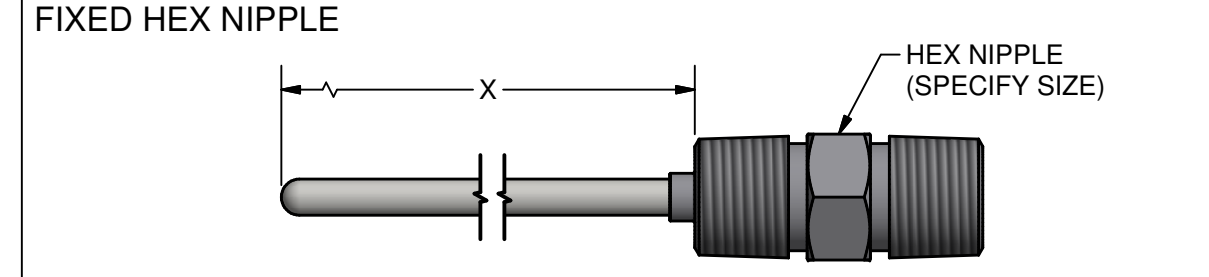
SHEATH OPTIONS



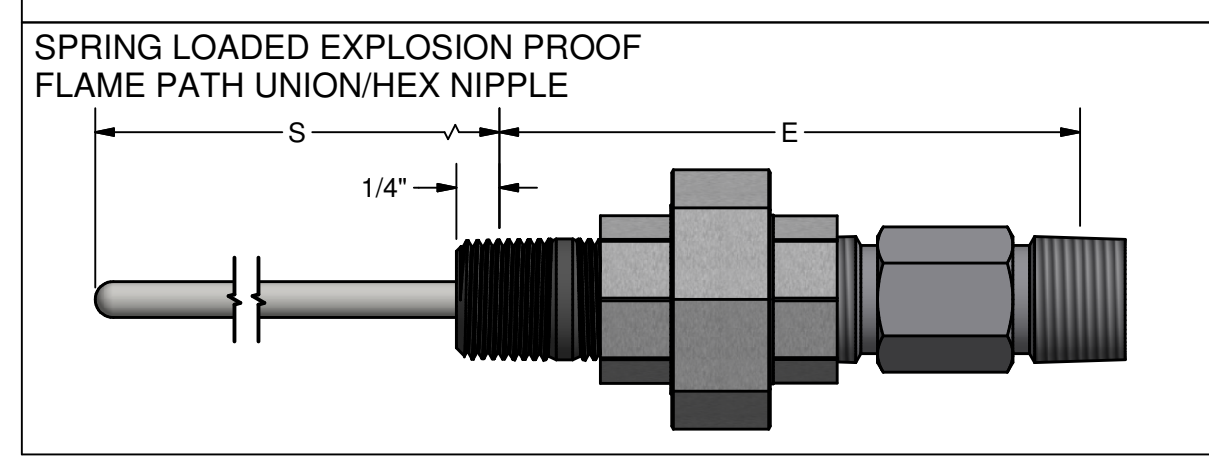
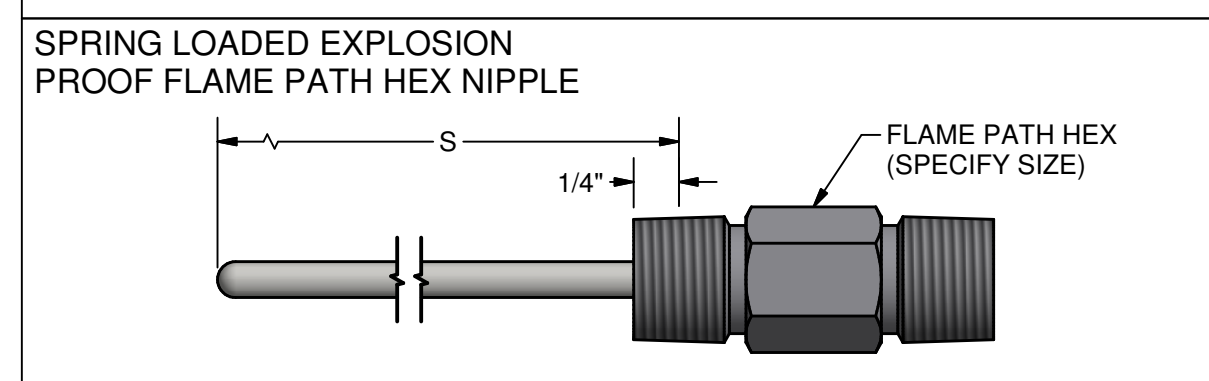
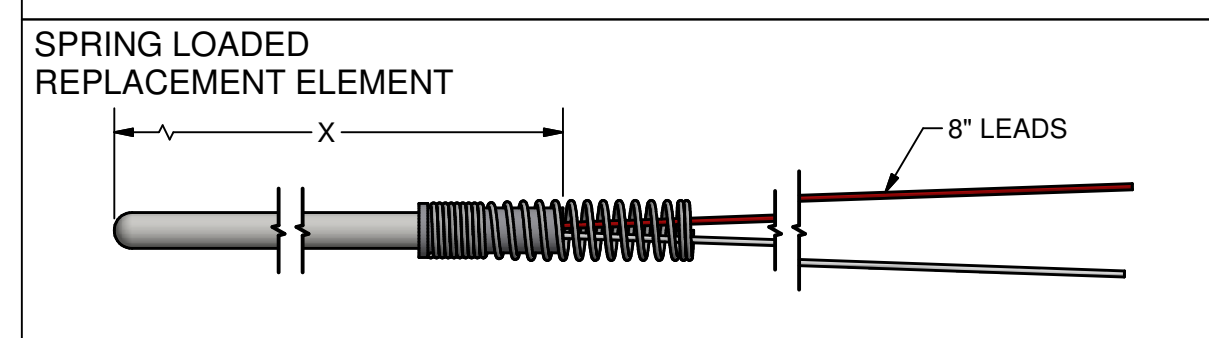
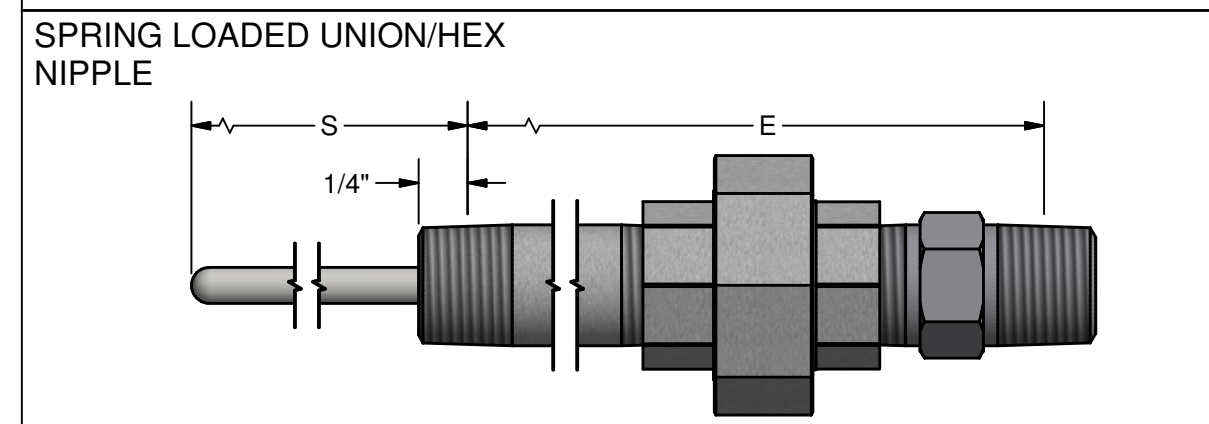
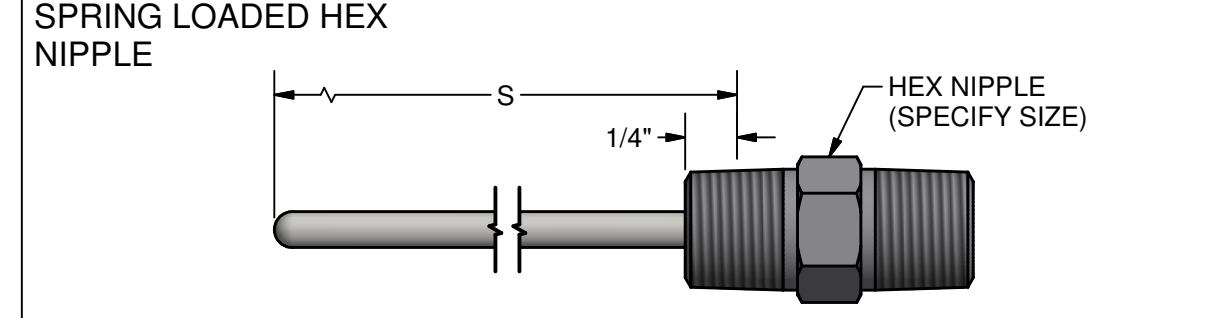
SHEATH MOUNTING OPTIONS



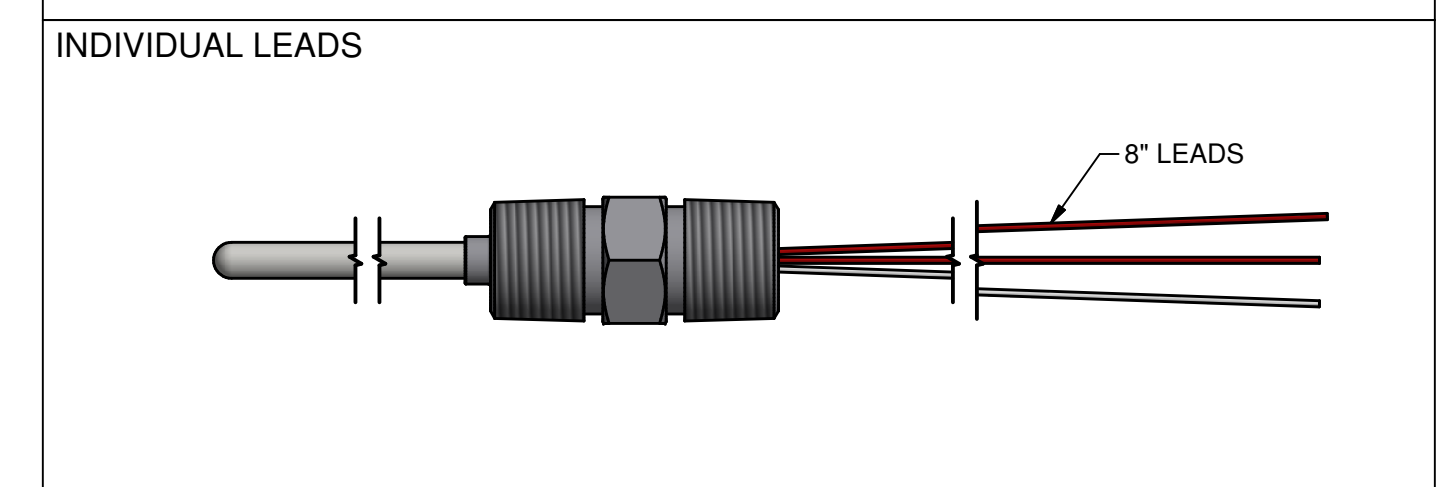
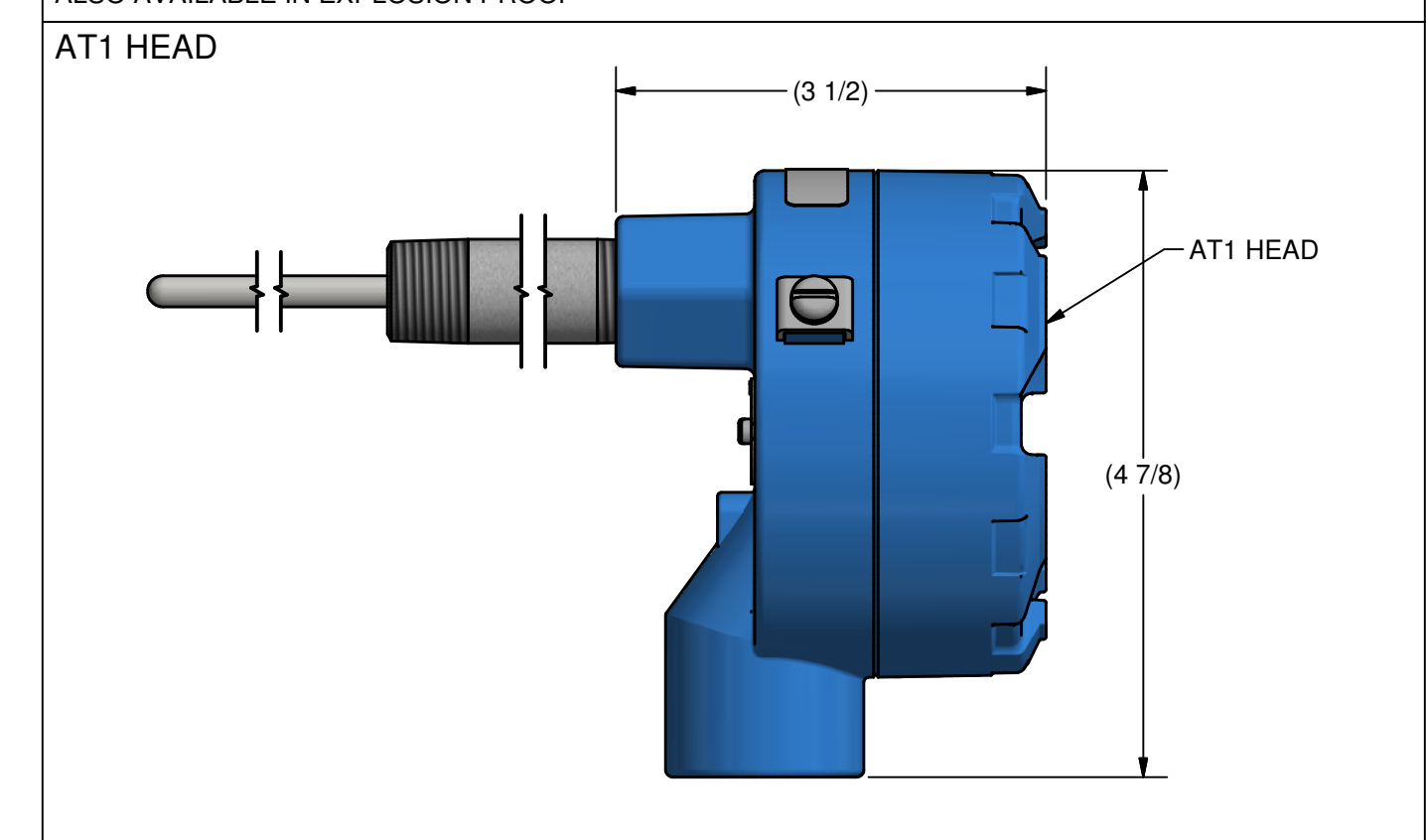
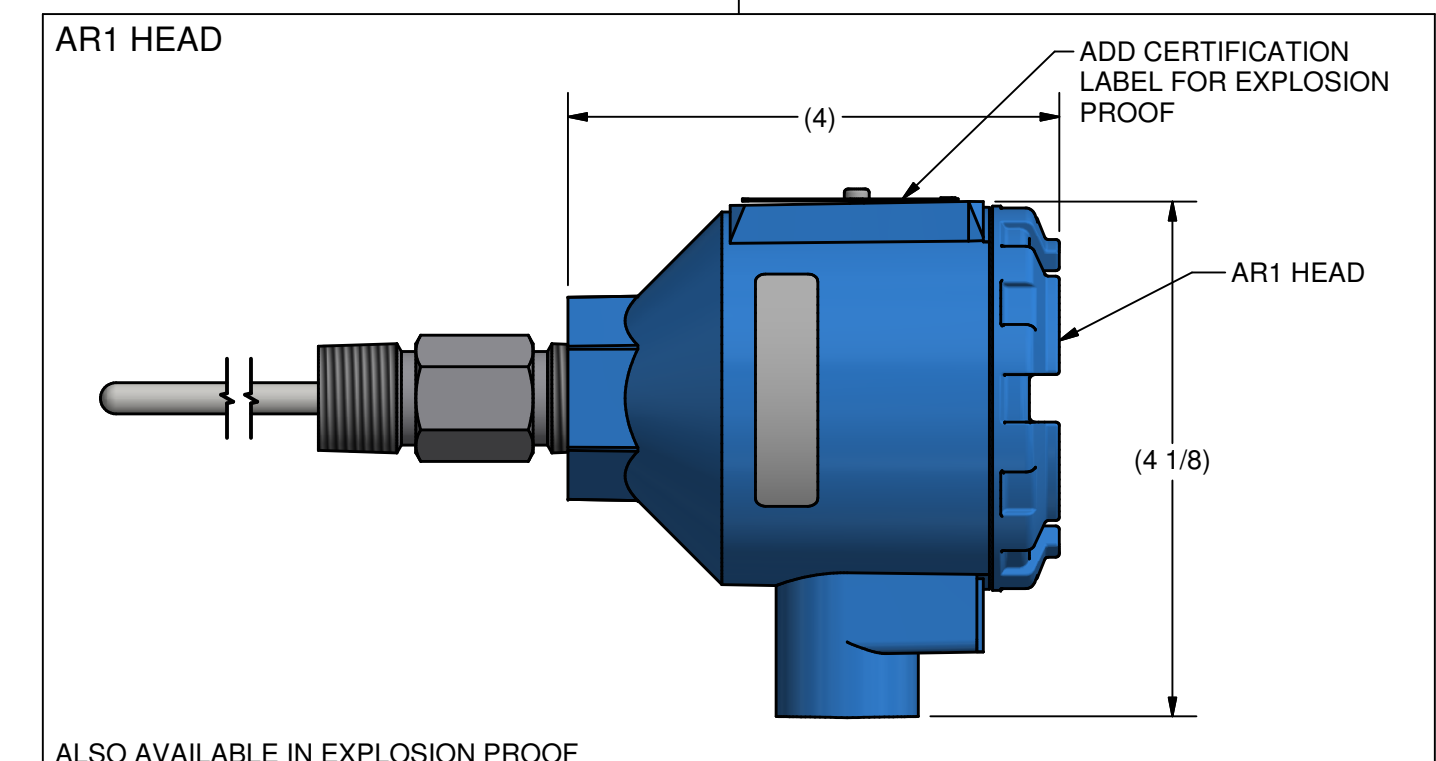
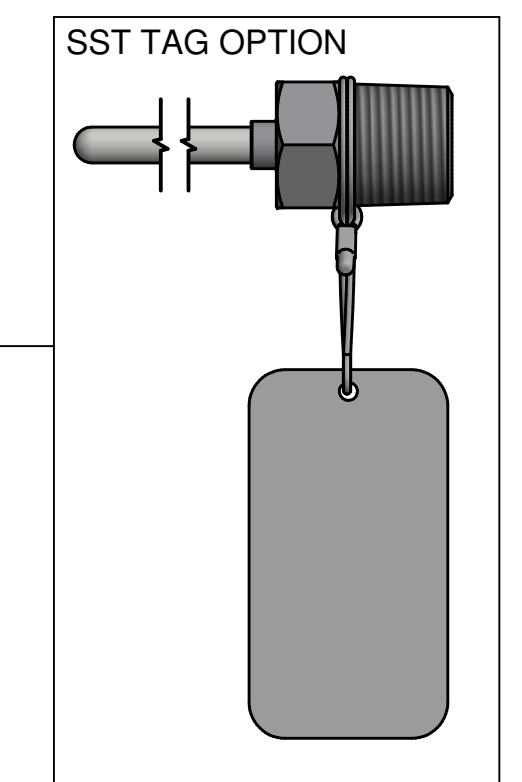
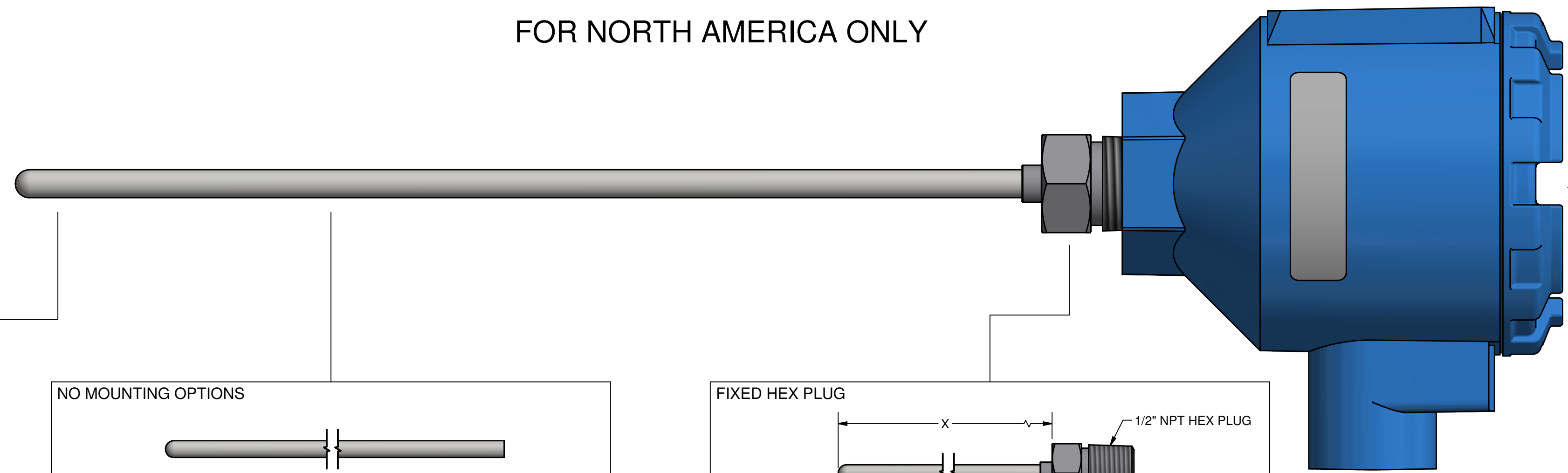
ALSO AVAILABLE IN EXPLOSION PROOF



ALSO AVAILABLE IN EXPLOSION PROOF



MOUNTING OPTIONS



TERMINATION OPTIONS

©2015 ROSEMOUNT INC. ROSEMOUNT INC. CERTIFIES THIS PRODUCT IN ACCORDANCE WITH ROSEMOUNT ENGINEERING SPECIFICATIONS. UNIT NOTES IN INCHES (mm). REFERENCE ROSEMOUNT PRODUCT DATA SHEETS FOR PRODUCT SPECIFICATIONS. CLICK HERE

EMERSON

TITLE 214A RTD AND THERMOCOUPLES TYPE I DRAWING

DR. M. LACKEY	3/31/16	DRAWING NO.	
APP'D E. SAWYER	3/31/16		P400601
CAD MAINTAINED, (AUTODESK INVENTOR)			SHEET 1 OF 7

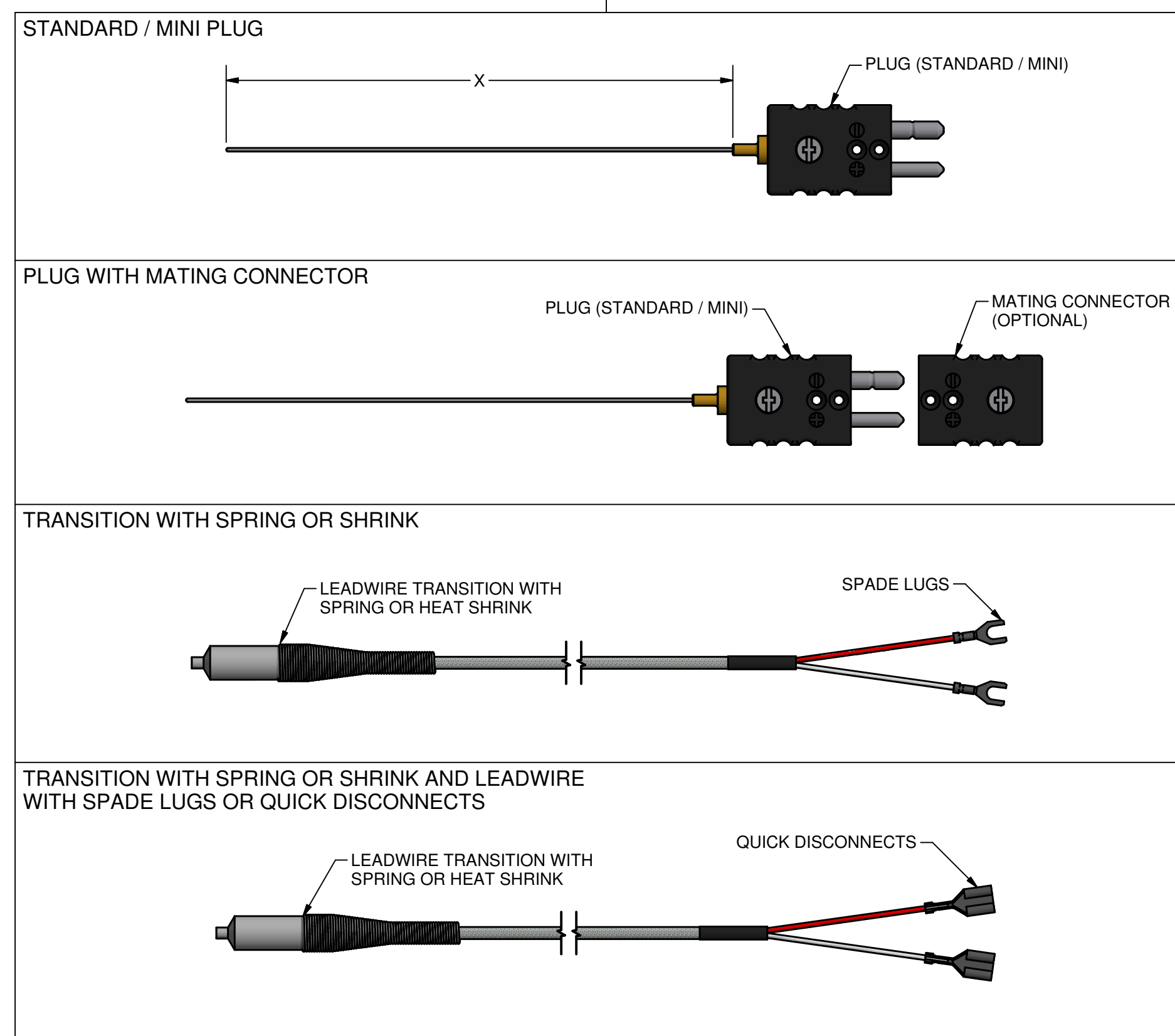
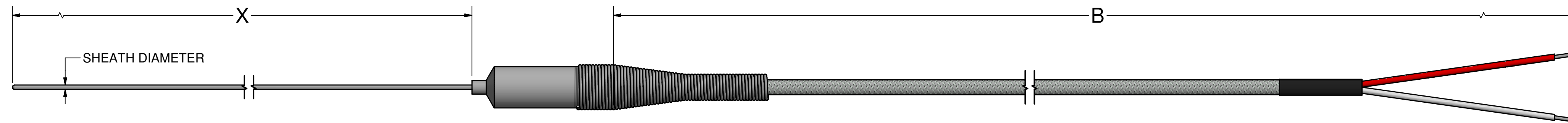
3RD ANGLE

SIZE D

SCALE NTS

214A MINIATURE MgO THERMOCOUPLES

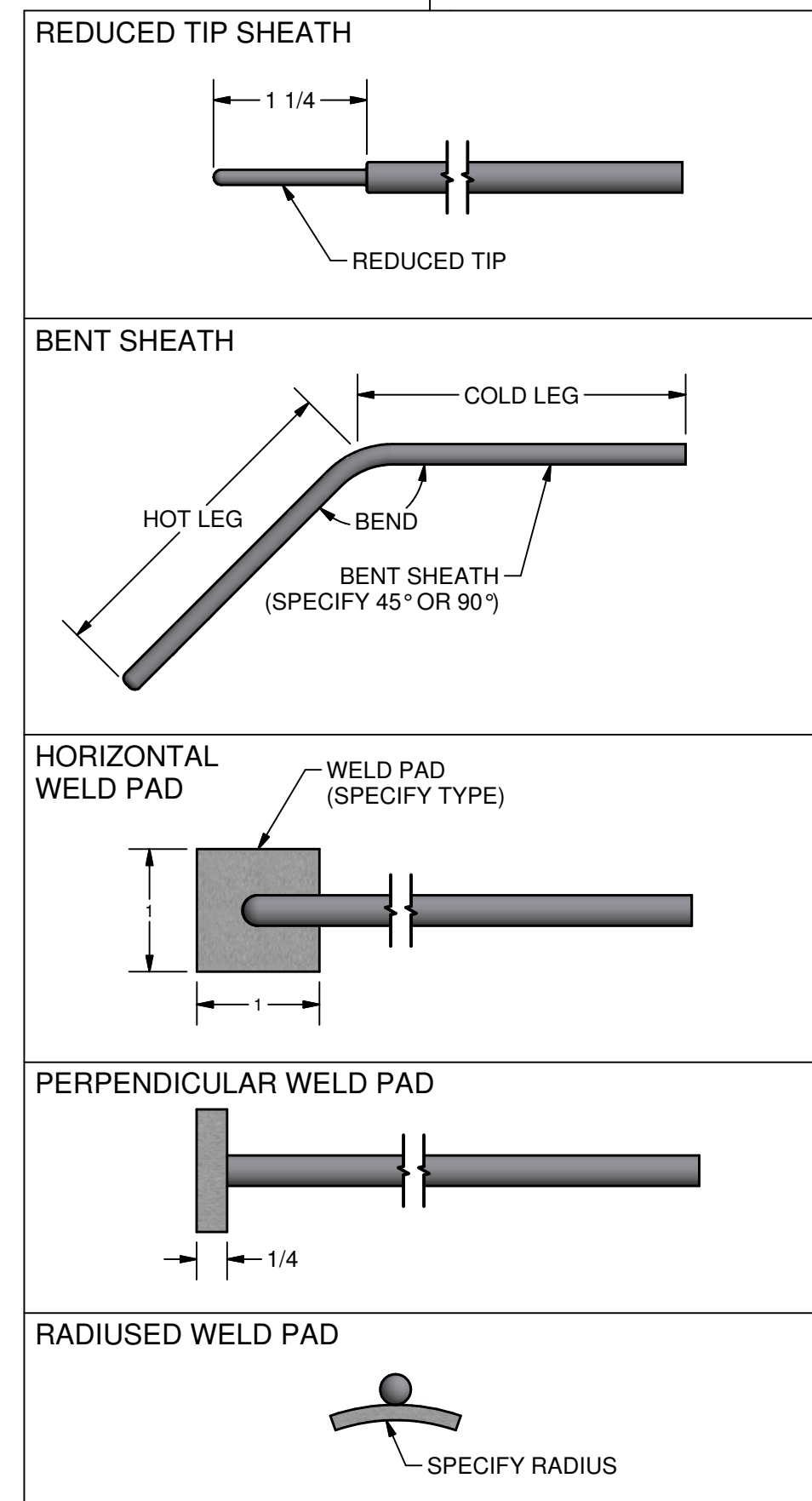
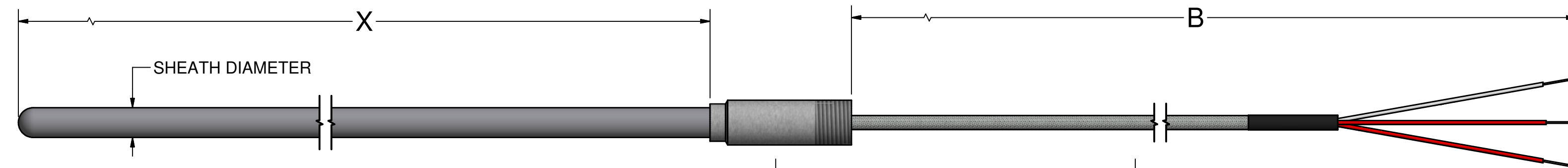
THERMOCOUPLE TYPES:  
J, K  
AVAILABLE IN SINGLE CONSTRUCTION ONLY



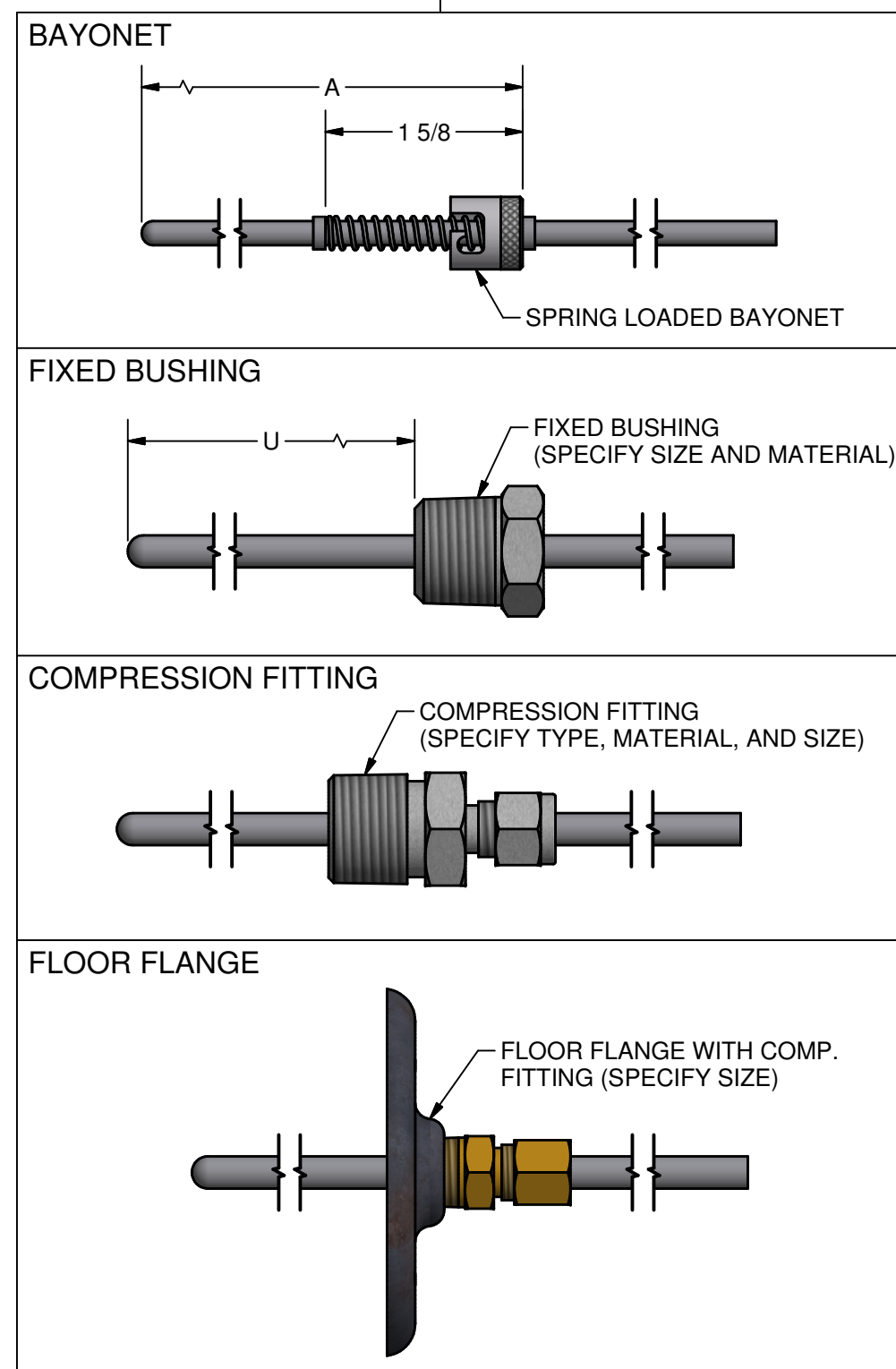
TERMINATION OPTIONS

214A RTDS

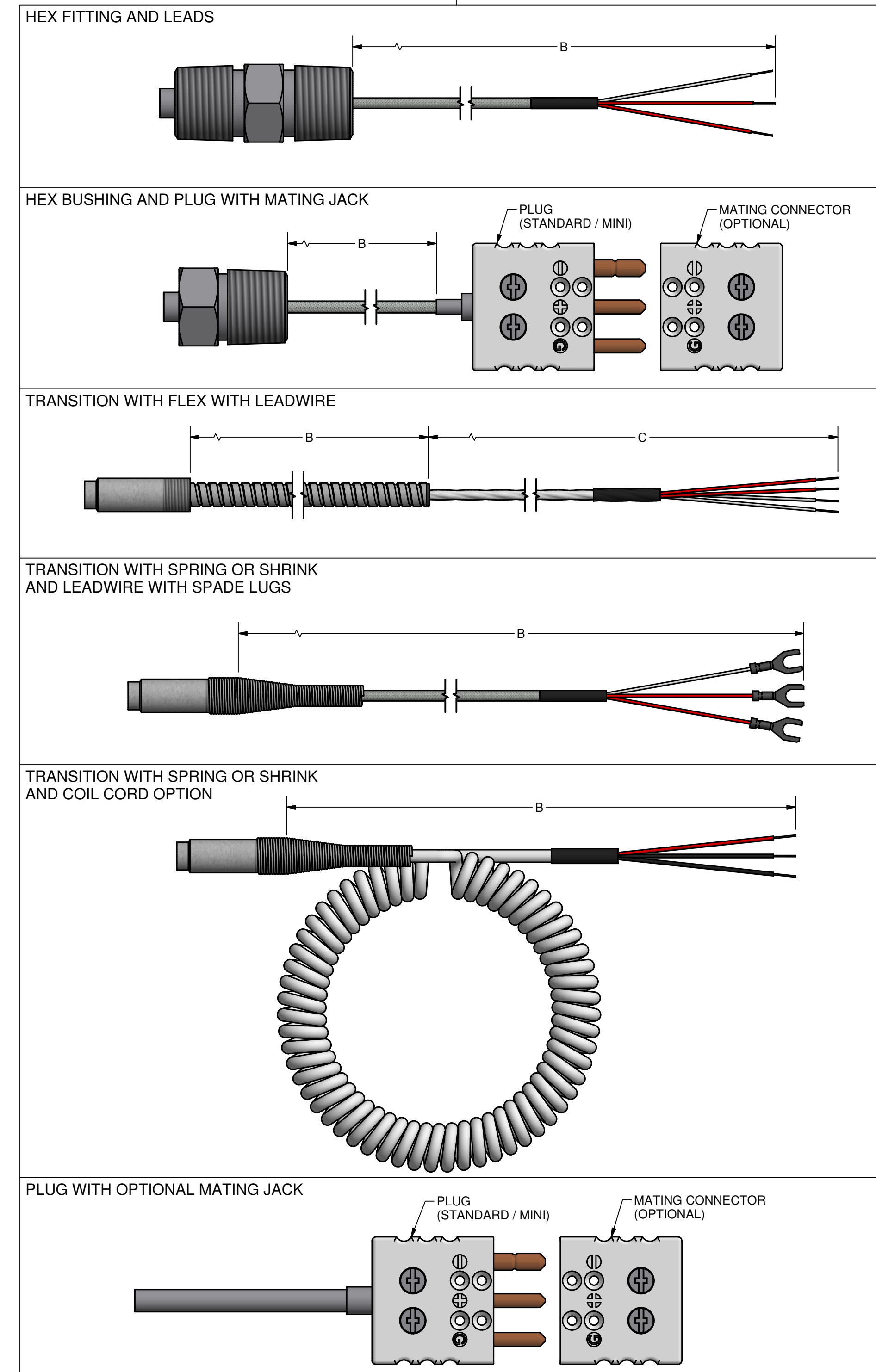
RTD TYPES:  
 CLASS A, CLASS B, (1/5) CLASS B, GRADE B  
 AVAILABLE IN SINGLE AND DUPLEX CONSTRUCTION  
 AVAILABLE IN 2, 3, OR 4 WIRE TERMINATIONS



SHEATH OPTIONS



SHEATH MOUNTING OPTIONS

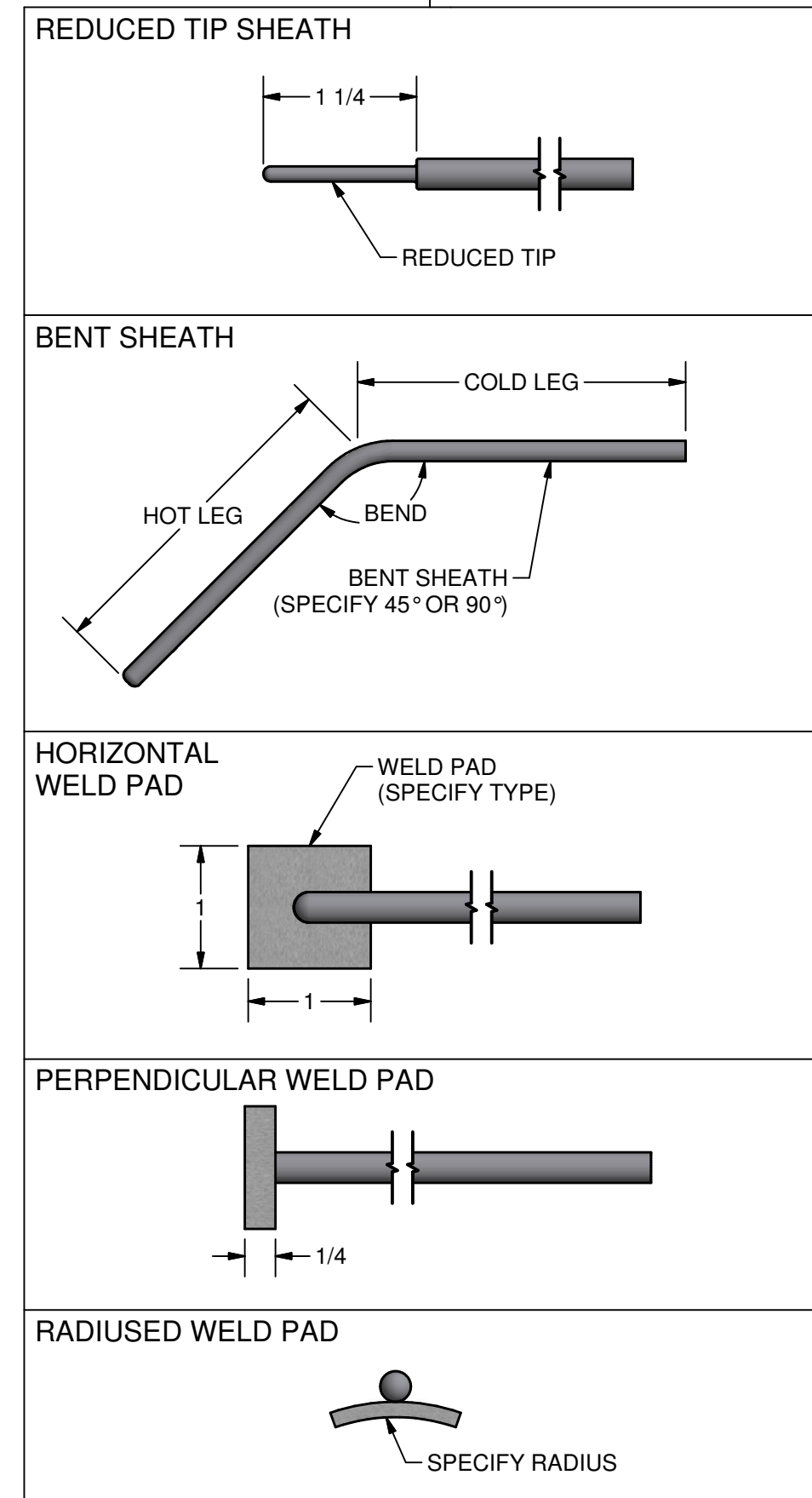
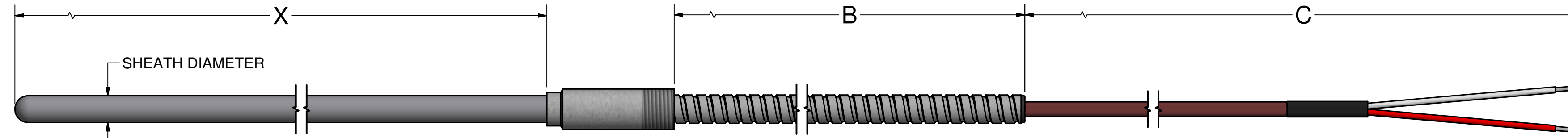


TERMINATION OPTIONS

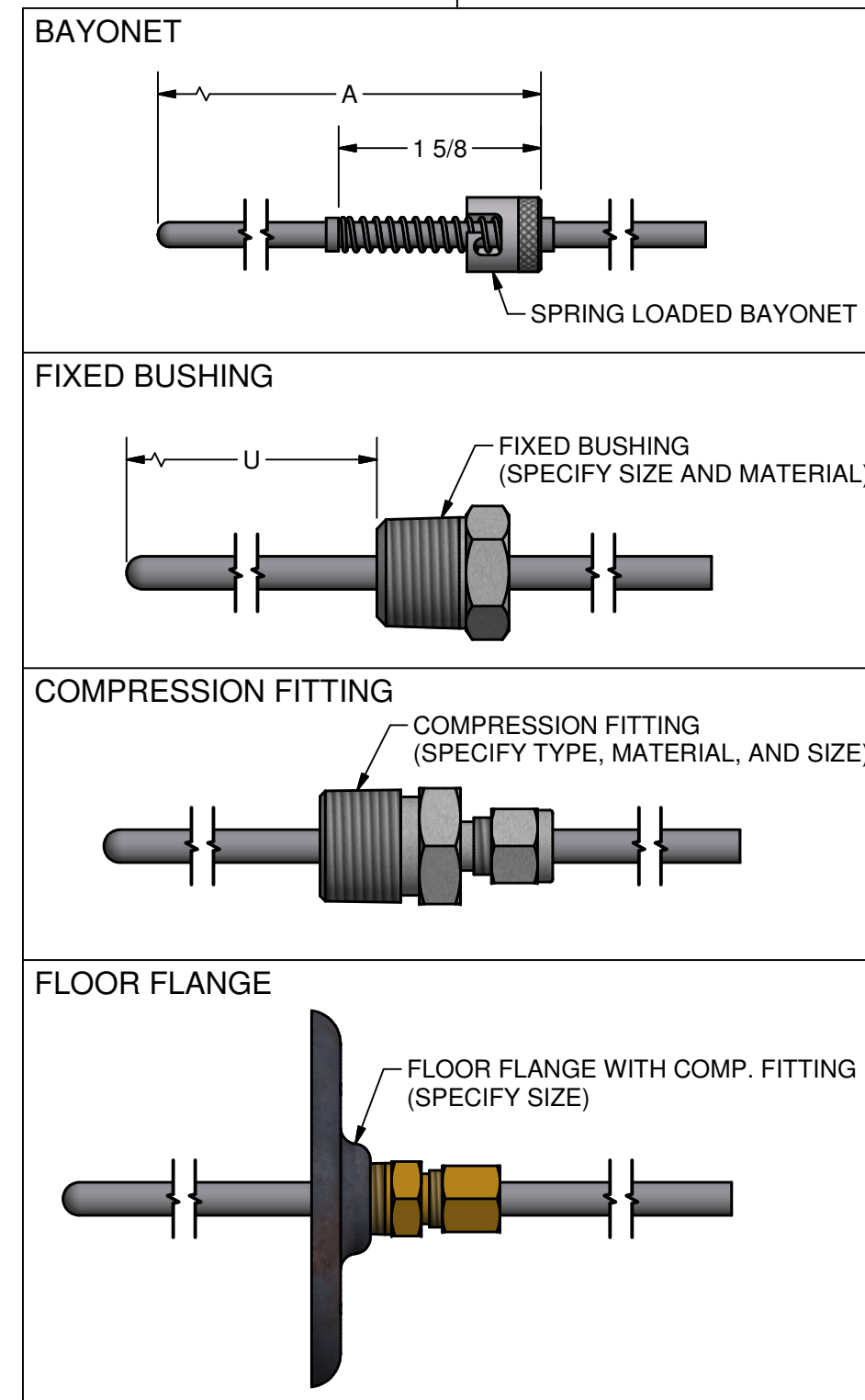


214A MgO THERMOCOUPLES

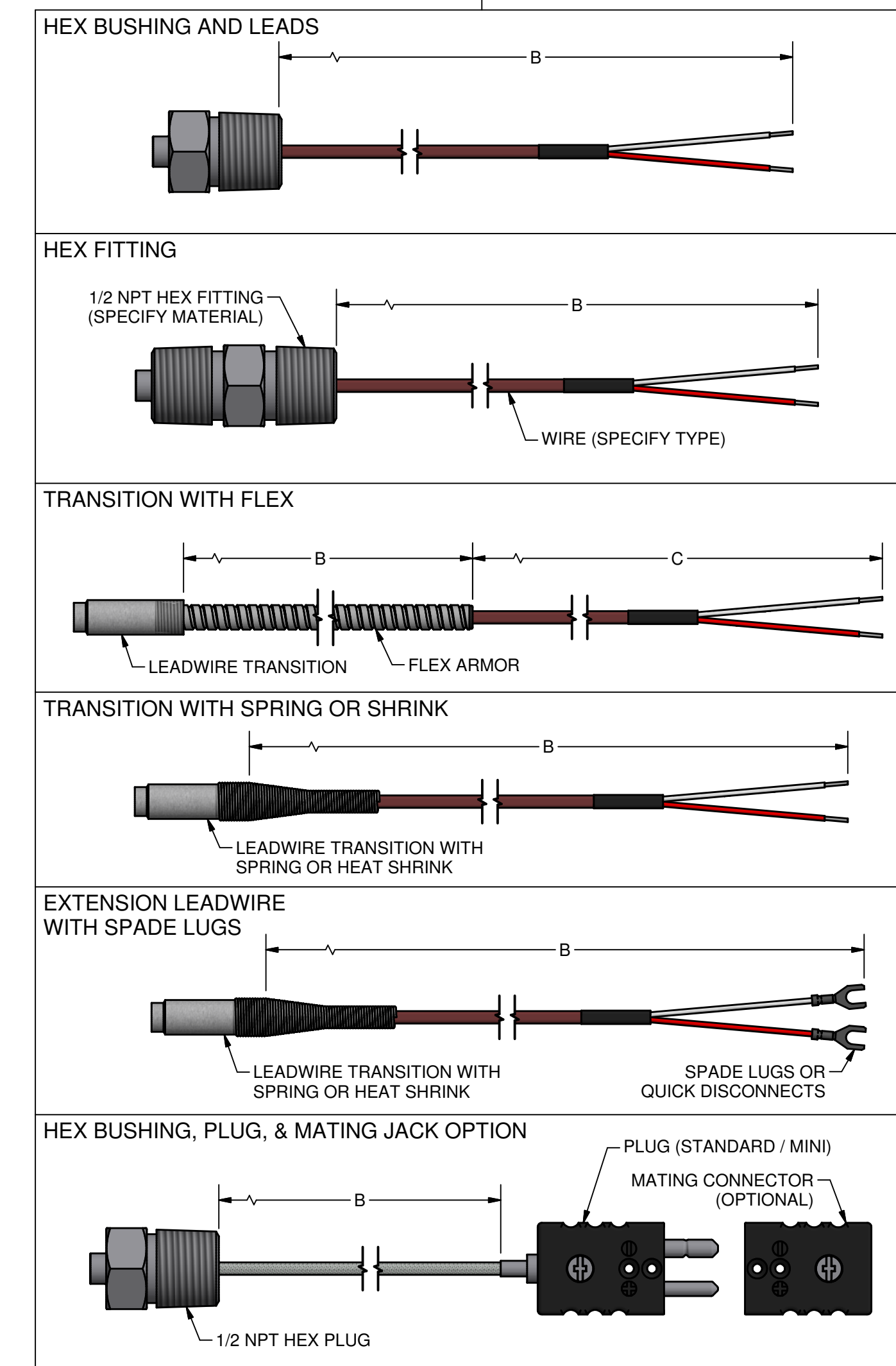
THERMOCOUPLE TYPES:  
E, J, K, T, N  
AVAILABLE IN SINGLE AND DUPLEX CONSTRUCTION



SHEATH OPTIONS



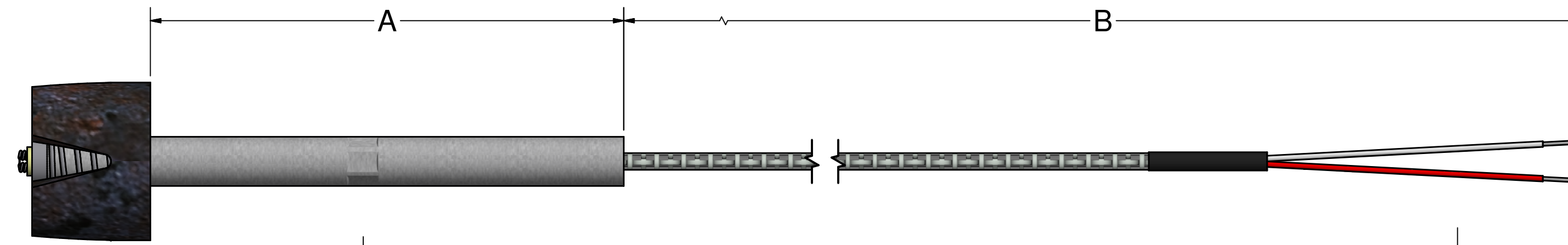
SHEATH MOUNTING OPTIONS



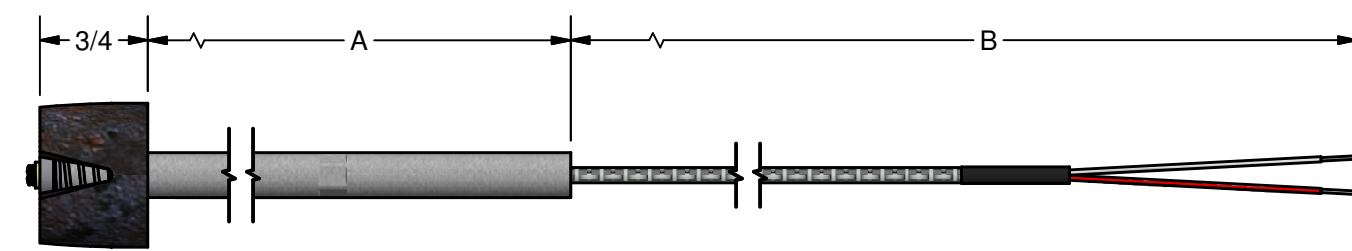
TERMINATION OPTIONS

214A MAGNET THERMOCOUPLES

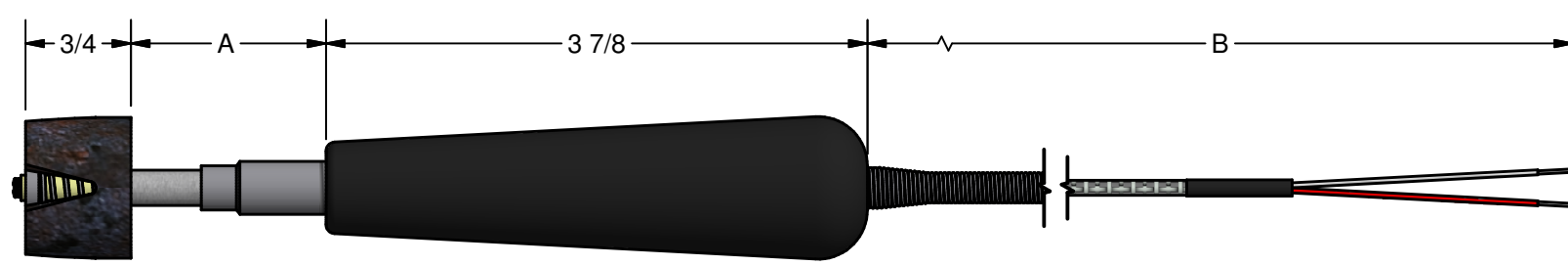
THERMOCOUPLE TYPES:  
J,K  
AVAILABLE IN SINGLE CONSTRUCTION ONLY



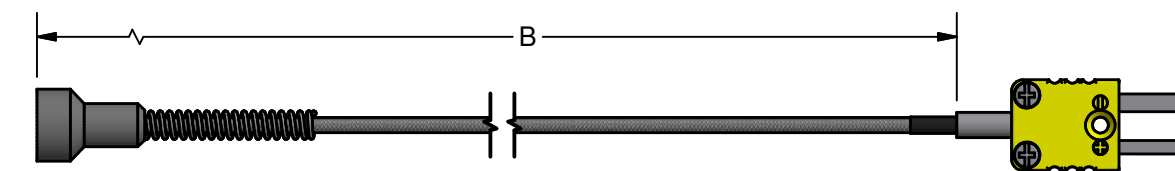
CODE T: 16 lb. PULL WITH 5/16" OD SHEATH



CODE H: 16 lb. PULL WITH HANDLE

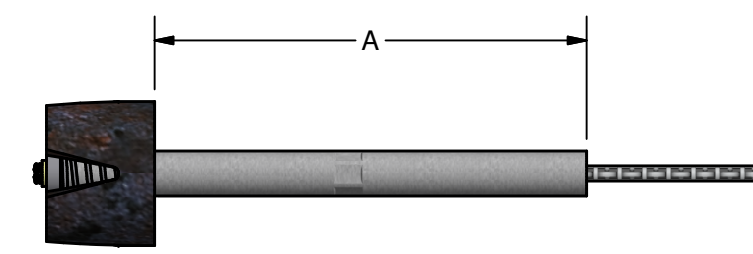


CODE M: 2 lb. PULL

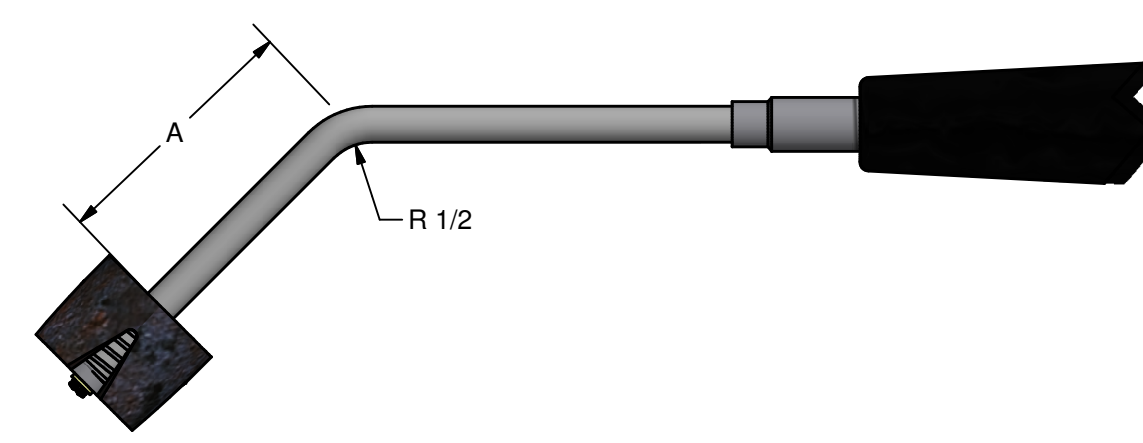


MAGNET STYLE OPTIONS

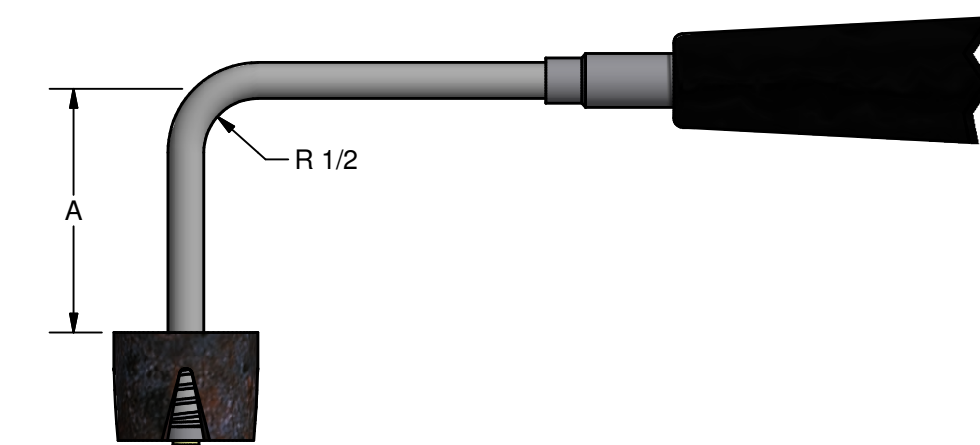
STRAIGHT SHEATH



45° BEND SHEATH



90° BEND SHEATH



SHEATH BEND OPTIONS

LEADS NOT STRIPPED



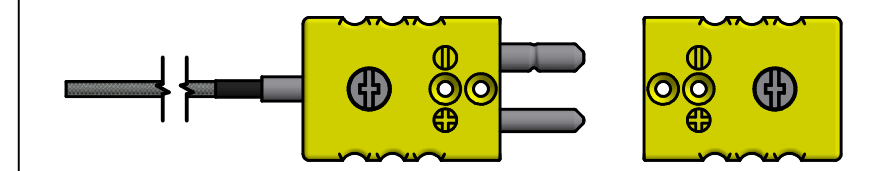
2" SPLIT LEADS, 1/4" STRIPPED



2" SPLIT LEADS WITH SPADE LUGS

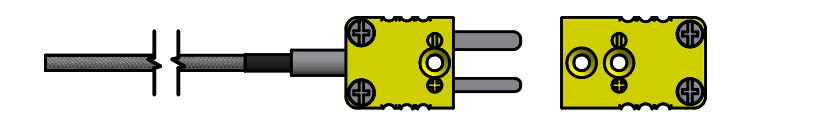


STANDARD PLUG OR JACK



W/ MATING CONNECTOR

MINIATURE PLUG OR JACK



W/ MATING CONNECTOR

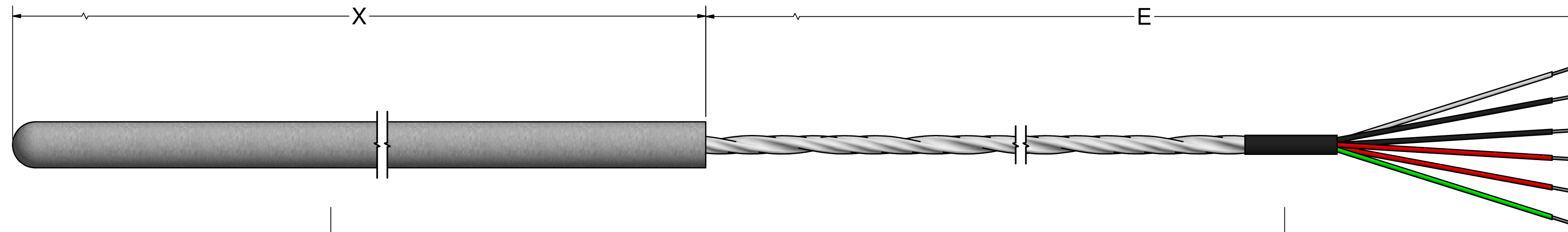
2" SPLIT LEADS WITH QUICK DISCONNECT



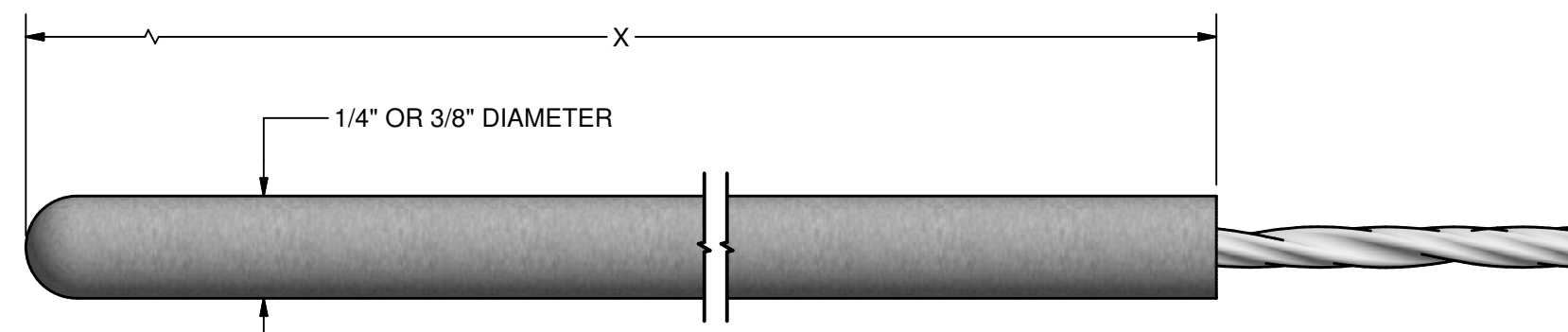
TERMINATION OPTIONS

214A VARIABLE-LENGTH RTD ELEMENT

AVAILABLE IN DUPLEX CONSTRUCTION ONLY  
AVAILABLE IN 3 OR 4 WIRE TERMINATIONS

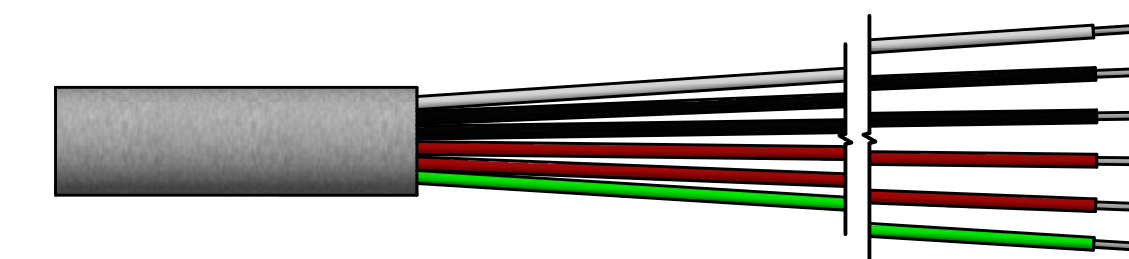


STRAIGHT SHEATH

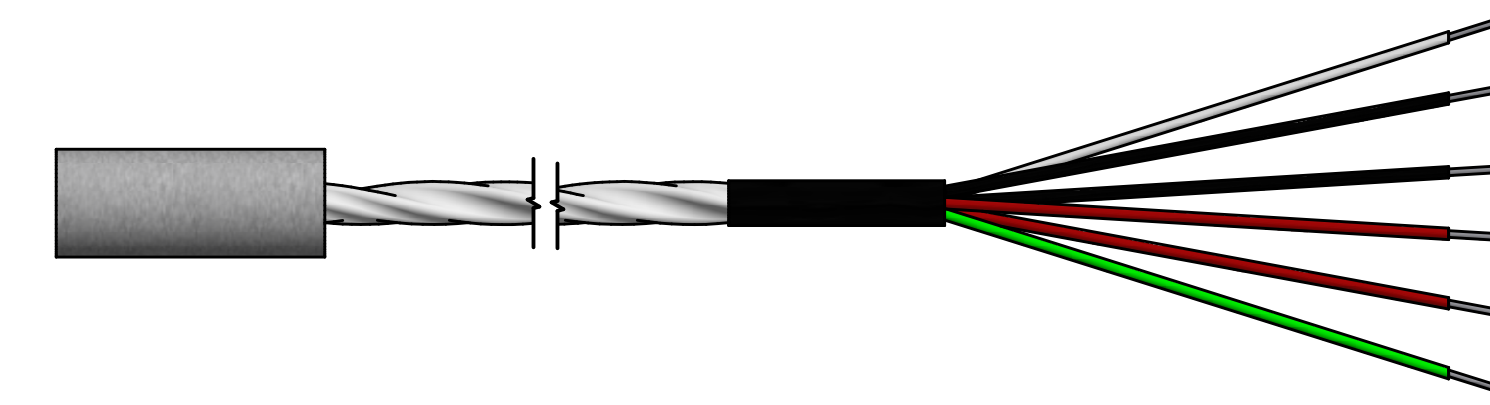


SHEATH MOUNTING OPTIONS

INDIVIDUAL LEADS



JACKETED LEADS



RTD EXTENSION LEADWIRE OPTIONS

214A MINIATURE RTD AND THERMOCOUPLE BEARING SENSORS

RTD TYPES:  
 CLASS A  
 CLASS B  
 AVAILABLE IN SINGLE OR DUPLEX  
 AVAILABLE IN 2 WIRE OR 3 WIRE\*  
 (\*DEPENDING ON CASE STYLE)

THERMOCOUPLE TYPES:  
 J, K, T, E  
 AVAILABLE IN SINGLE OR DUPLEX

