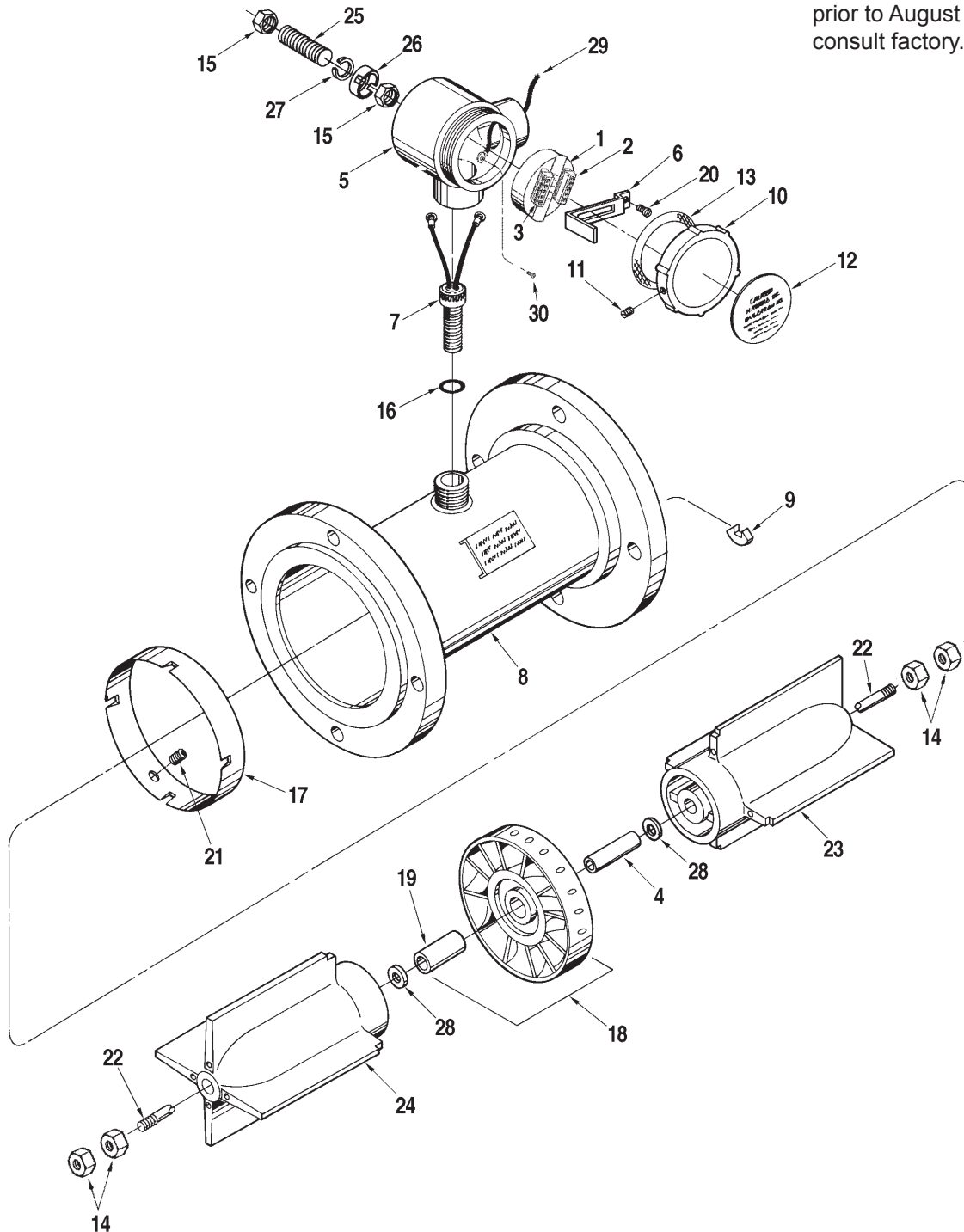


Meter, Turbine, 4 Inch, Sentry Series, Model K2DR, K2DV

Bulletin PO02013 Issue/Rev. 0.0 (09/13)

For meters manufactured
prior to August 1976,
consult factory.



Item	Description	Qty.	Part Number
1	+ Preamplifier:		
	PA-6, 12 to 24 Vdc.....	#	230663-101
2	Connector, (1-5).....	#	645030-452
3	Connector, (6-10).....	#	645030-453
4	Bearing, Platform:		
	Standard.....	1	541454-210
5	Box, Conduit.....	#	543256-200
6	Clip, Retaining.....	#	543192-203
7	+ Coil, Pickup:		
	-100°F to 225°F.....	#	644327-401
	-100°F to 400°F (High Temperature Version).....	#	641512-401
	Mating Connector with Leads (High Temperature Version).....	#	540244-101
8	Housing.....	1	See Note 1
9	Key, Stator.....	#	542821-201
10	Cover, Conduit Box:		
	UL/CSA.....	#	543196-100
	ATEX – Manufactured in the U.S.A.....	#	544057-101
	ATEX – Manufactured in Germany.....	#	544057-102
11	Screw, Set, #6-32 x 1/4".....	#	643243-403
12	Label:		
	UL/CSA.....	#	543195-200
	ATEX – Manufactured in U.S.A.....	#	544056-201
	ATEX – Manufactured in Germany.....	#	544056-202
13	+ Gasket, Cover.....	#	013403-200
14	Nut, #10-32.....	4	640704-001
15	Nut, 1/4"-20 (ATEX version only).....	#	060060-001
16	O-Ring.....	#	641069-474
17	Ring, Deflector (Stainless Steel):		
	Unidirectional.....	1	541685-210
	Bidirectional.....	2	543207-201
18	+ Rotor Assembly:		
	@2 Standard (2,100 pulses/bbl) – 16 Button.....	1	544439-195
	Previous (1,050 pulses/bbl) – 8 Button.....	1	544439-194
	High Resolution (3,150 pulses/bbl) – 24 Button.....	1	544439-196
19	Bearing, Rotor.....	1	541455-210
20	Screw, #10-32 x 1/4".....	#	009544-401
21	Screw, Set, #10-32 x 1/4" (Two per Deflector Ring).....	#	645690-401
22	Shaft, Rotor.....	1	544423-201
23	Stator, Downstream (Stainless Steel).....	1	542367-211
24	Stator, Upstream (Stainless Steel):		
	Unidirectional.....	1	542366-211
	Bidirectional.....	1	542367-211
25	Stud (ATEX Version Only).....	#	550773-001
26	Washer, Inverted (ATEX version only).....	#	550770-001
27	Washer, 1/4" Lock (ATEX version only).....	#	006621-001
28	+ Washer, Thrust.....	2	543643-202
29	Ground Wire (UL/CSA version only).....	#	544058-101
30	Screw, #10-32 x 1/4" (UL/CSA version only).....	#	006110-002

Internal Parts Kits

@2	Unidirectional, Standard Resolution (2,100 pulses/bbl).....	544624-123
	Bidirectional, Standard Resolution (2,100 pulses/bbl).....	544624-124
	Unidirectional, High Resolution (3,150 pulses/bbl).....	544624-143
	Bidirectional, High Resolution (3,150 pulses/bbl).....	544624-144

Item	Description	Qty.	Part Number
+	Recommended stock.		
#	Order quantity required.		
R	Indicates revision since last issued.		

Note 1: Consult Factory, (814) 898-5000, providing the following information:

- | | |
|-------------------------|---------------------------------|
| 1. Uni or Bidirectional | 4. Flange Class (Pressure) |
| 2. Housing Material | 5. Flange Type |
| 3. Flange Material | 6. Number of Pickup Coil Bosses |

@2 Note 2: This is a 2,100 pulse/bbl (16 button) rotor. Prior to June 1992, standard rotor was 1,050 pulse/bbl (8 button). If using direction sensing or pulse security on a 1,050 pulse.bbl meter, you must specify a 1,050 pulse/bbl (8 button) replacement rotor or internal parts kit. If direction sensing or pulse security is not needed, we recommend upgrade to 2,100 pulse/bbl (16 button) rotor. Be aware, however, that your program must be modified to compensate for the increased K-factor.

P0586.07X has been made obsolete and replaced by publication number PO02013 (September 2013).

The specifications contained herein are subject to change without notice and any user of said specifications should verify from the manufacturer that the specifications are currently in effect. Otherwise, the manufacturer assumes no responsibility for the use of specifications which may have been changed and are no longer in effect.

USA Operation
1602 Wagner Avenue
Erie, Pennsylvania 16510 USA
P:+1 814.898.5000

TechnipFMC
13460 Lockwood Road
Building S01
Houston, Texas 77044 USA
P:+1 281.591.4000

Germany Operation
Smith Meter GmbH
Regentstrasse 1
25474 Ellerbek, Germany
P:+49 4101 304.0

TechnipFMC.com

© TechnipFMC plc. 2020 All rights reserved. PO02013 rev. 0.0 (09/13)