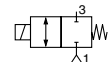




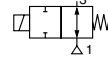
SOLENOID VALVES

flapper mechanism, fluid isolation
pad mounting body, 1/4-28UNF, push-in hose connection
size 16 mm

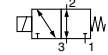
2/2 NC



2/2 NO



3/2 U



2/2
3/2
Series
068

FEATURES

- Solenoid valves for use with neutral or aggressive liquids and gases in analytical and medical systems
- Hermetic separation of control mechanism and fluid:
 - Prevents particulate contamination caused by friction of moving parts, assuring maximum purity of fluid
 - Ensures reliable operation in applications with highly aggressive fluids
- Reduced heat transfer between control mechanism and fluid
- Good self-draining capability and easy-to-flush internal cavity
- Low internal volume
- Specific flapper mechanism: no pump effect, no stick effect
- Electrical spade-plug or cable-end connection

GENERAL

Differential pressure -0,9 to +8 bar (usable in 0,1 bar abs. vacuum) [1 bar =100 kPa]
Maximum viscosity 20 cSt (mm²/s)
Response time < 20 ms
Internal volume < 75 µl (connections not included)

fluids (*)	temperature range (TS)	seal materials (*)
liquids or gases (filtered 50 µm)	+5°C to + 50°C	FFPM (perfluoroelastomer)
		FPM (fluoroelastomer)
		EPDM (ethylene-propylene)

MATERIALS IN CONTACT WITH FLUID

(*) Ensure that the compatibility of the fluids in contact with the materials is verified

Body PEEK
Diaphragm FFPM (FPM and EPDM option)
Seals FFPM (FPM and EPDM option)

OTHER MATERIALS

Internal parts Stainless steel

ELECTRICAL CHARACTERISTICS

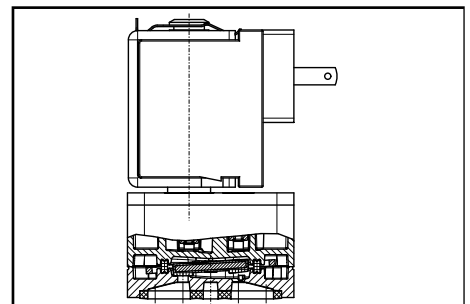
Coil insulation class F
Connector Spade terminals or cable ends ⁽²⁾
Connector specification Spade terminals: DIN 46340, cable ends: AWG 24
Electrical safety IEC 335
Electrical enclosure protection Moulded IP40 spade terminals (EN 60529)
 Moulded IP66 cable ends (EN 60529)
Standard voltages DC (=) : 12V - 24V ^{-5% / +10%}

(Other voltages on request)

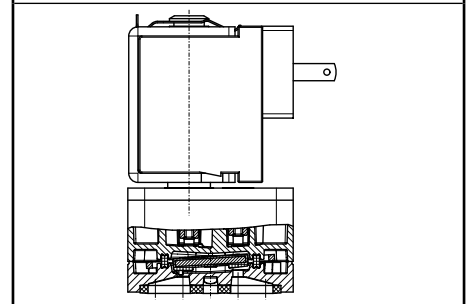
electrical connection	power ratings				operator ambient temperature range (TS) (C°)	type ⁽¹⁾
	inrush	holding		⁽⁴⁾		
	~ (VA)	~ (VA)	~ (W)	= (W)		
S0	-	-	-	4	+5 to + 50	01
L0	-	-	-			02

⁽¹⁾ Refer to the dimensional drawings on page 47.

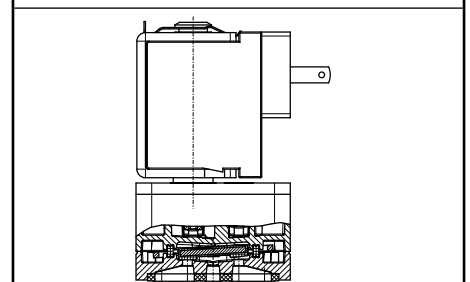
⁽²⁾ 0,5 m lead wires.



2/2 NC function



2/2 NO function



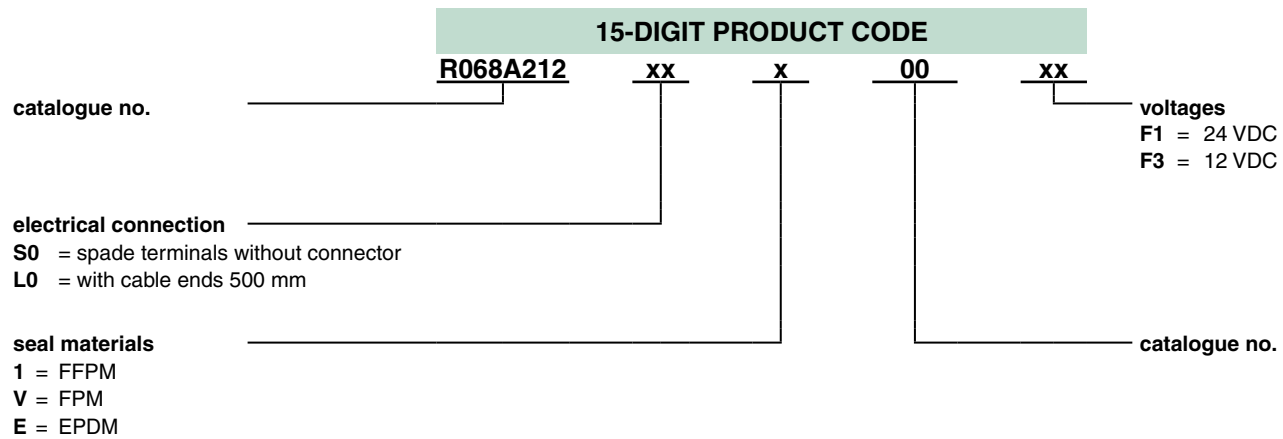
3/2 U function

SPECIFICATIONS

pipe size	orifice size	flow coefficient Kv		operating pressure differential (bar)		power coil (W)	catalogue number	
				min.	max. (PS) gases liquids (*)		body PEEK	
	(mm)	(m³/h)	(l/min)		=	=	x : see "HOW TO ORDER"	
2/2 NC - Normally closed								
pad mounting ⁽¹⁾	0,8	0,021	0,35	-0,9	8	4	R068A212xxx00xx	
	1,2	0,036	0,60	-0,9	4	4	R068A214xxx00xx	
	1,6	0,042	0,70	-0,9	2	4	R068A216xxx00xx	
2/2 NO - Normally open								
pad mounting ⁽¹⁾	0,8	0,021	0,35	-0,9	8	4	R068A222xxx00xx	
	1,2	0,036	0,60	-0,9	4	4	R068A224xxx00xx	
	1,6	0,042	0,70	-0,9	2	4	R068A226xxx00xx	
3/2 U - Universal								
pad mounting ⁽¹⁾	0,8	0,021	0,35	-0,9	8	4	R068A232xxx00xx	
	1,2	0,036	0,60	-0,9	4	4	R068A234xxx00xx	
	1,6	0,051	0,80	-0,9	2	4	R068A236xxx00xx	
1/4-28UNF	0,8	0,021	0,35	-0,9	8	4	0068A232xxx00xx	
	1,2	0,036	0,60	-0,9	4	4	0068A234xxx00xx	
	1,6	0,051	0,80	-0,9	2	4	0068A236xxx00xx	
push-in hose connection	0,8	0,021	0,35	-0,9	8	4	6068A232xxx00xx	
	1,2	0,036	0,60	-0,9	4	4	6068A234xxx00xx	
	1,6	0,051	0,80	-0,9	2	4	6068A236xxx00xx	

⁽¹⁾ 2 hexagon socket head cap mounting screws M2,5 mm, 1,5 mm across flats, stainless steel, supplied.

HOW TO ORDER




Ordering example: R068A216S0E00F1 = 2-way NC (normally closed), orifice size 1,6 mm, pad-mounting body width 16 mm, with spade terminals without connector, EPDM seals, 24 VDC

OPTIONS

- Other subbases, contact us

INSTALLATION

- The solenoid valves can be mounted in any position without affecting operation
- Pad-mounting solenoid valve supplied with seal

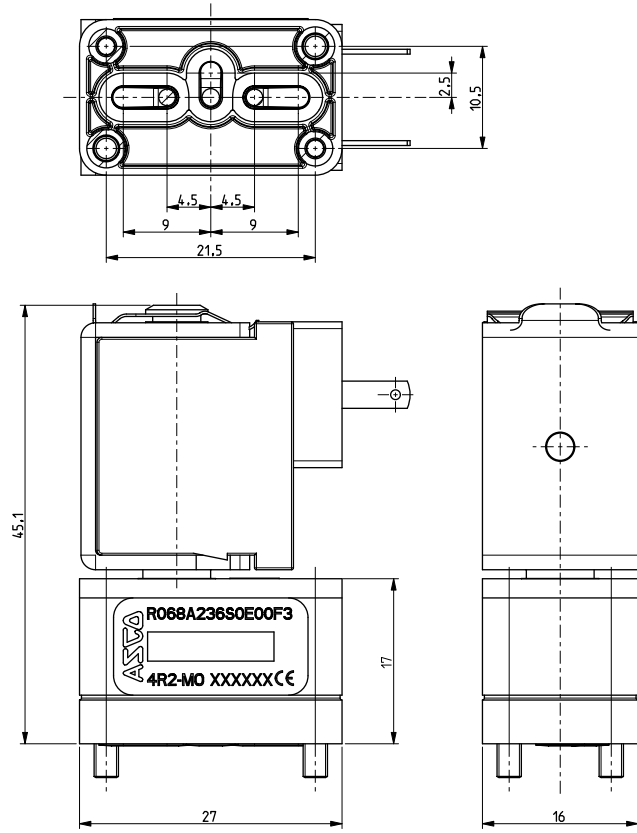
DIMENSIONS (mm), WEIGHT (kg) 



TYPE 01

Solenoid with spade terminals (S0)
DIN 46340
IP40

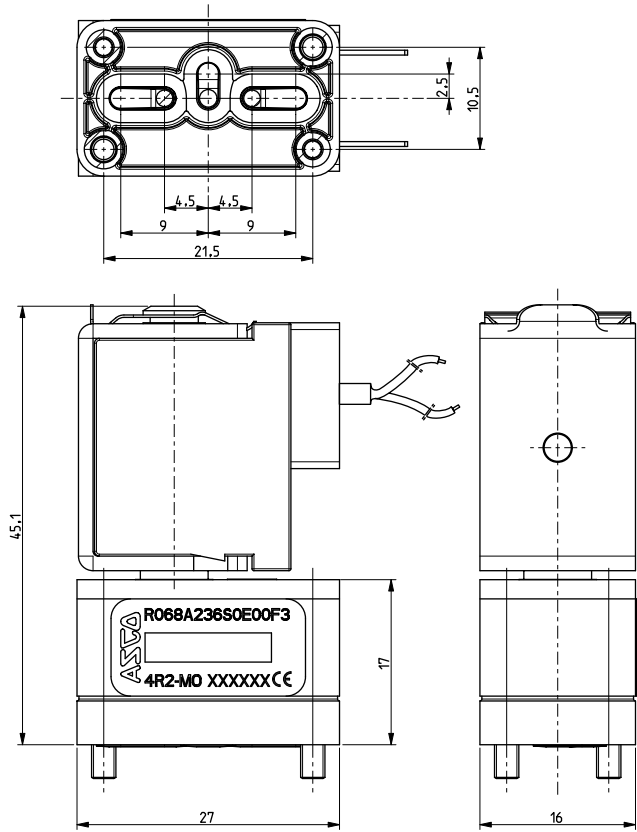
R068...S0...F...

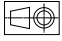


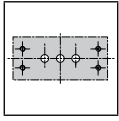
TYPE 02

Solenoid with cable ends (L0)
AWG 24, cable ends 500 mm long
IP66

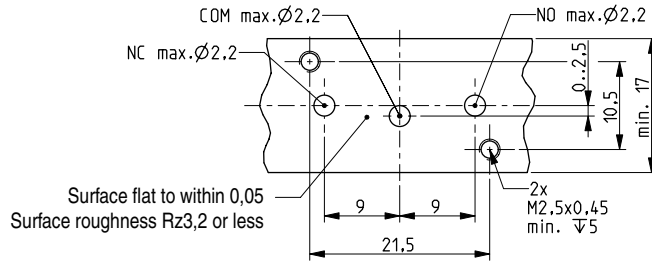
R068...L0...F...



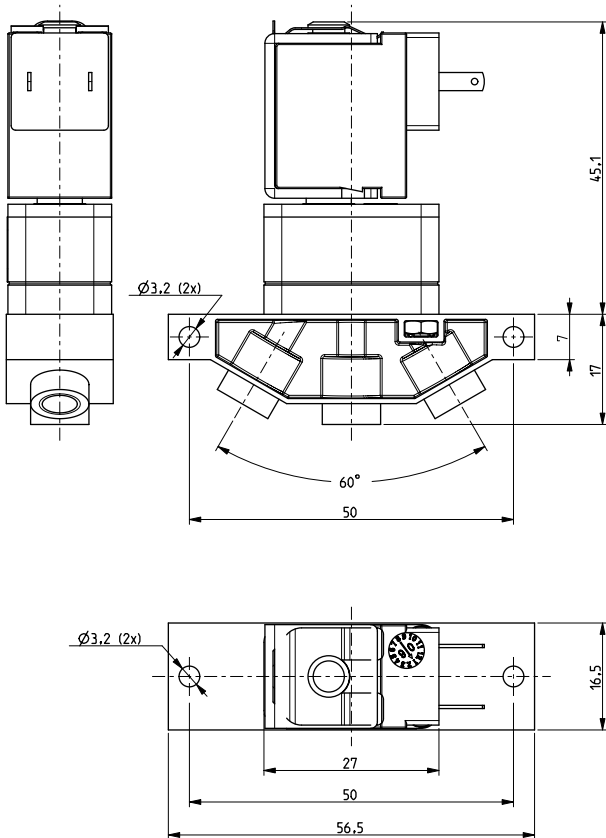
DIMENSIONS (mm), WEIGHT (kg) 



SUBBASE MOUNTING PATTERN



1/4 - 28 UNF VERSION



VERSION WITH PUSH-IN HOSE CONNECTION

