

NUMATICS®

ISO 6432 Series

Metric Mini Cylinder Line



www.numatics.com

ISO 6432 Series

Features and Benefits	3
How to Order	4
Dimensions	
Single Rod End, Single and Double Acting	5
Single and Double Acting-Double Rod	6
Mounting Accessories	7-10
Switch Information	11
Sensing Part Numbers	12-14

The **ISO 6432 Series** is a metric, ISO standard, mini cylinder line. The ISO 6432 Series includes a multitude of standard features and benefits.

Tube

The type 303 stainless steel tube, is drawn and polished to a micro-inch finish on the I.D. This enables low friction and longevity.

End Caps

The **end caps** are accurately machined from solid aluminum bar stock. They are anodized for corrosion resistance.

Rod Bushing

Oil impregnated sintered bronze **rod bushing** provides excellent wear resistance and anti-friction qualities for smooth operation and long life.

Piston

High strength anodized aluminum alloy **piston** is standard on 32 mm through 63 mm bore. A durable brass piston is standard on 8 mm through 25 mm bore.

Piston Seals

Low friction Buna N "U" cup **piston seals** (optional high temperature seals) are wear compensating for millions of maintenance free cycles.

Rod Seal

The low friction Buna N "U" cup **rod seal** (optional high temperature seals) is wear compensating to ensure longevity.



Standard Specifications:

- Mini cylinders with piston diameter from 8 mm to 25 mm correspond to standard ISO 6432 CETOP RP 52 P
- Bore sizes from 8 mm through 63 mm
- Maximum pressure rating is 150 psi air (10 bar)
- Standard temperature -10°F to 165°F (-23°C to 74°C)
- Adjustable cushions

How to Order

O R 025 / 0080

Series

- O = Standard
- S = All Stainless Steel

Cylinder Type

- K = Single acting, single rod end, w/o magnetic sensor
- M = Double acting, single rod end, w/o magnetic sensor
- P = Double acting, single rod end, with magnetic sensor
- S = Double acting, single rod end, w/o magnetic sensor, with cushioning
- R = Double acting, single rod end, with magnetic sensor, with cushioning

Piston Diameter (Type)

- 008 = 8mm (OK, OP)
- 010 = 10mm (OK, OP)
- 012 = 12mm (OK, OP)
- 016 = 16mm (OK, OP, OR, OS, SM, SP)
- 020 = 20mm (OK, OP, OR, OS, SM, SP)
- 025 = 25mm (OK, OP, OR, OS, SM, SP)
- 032 = 32mm (OK, OM, OP, OR, OS, SM, SP, SR)
- 040 = 40mm (OK, OM, OP, OR, OS, SM, SP, SR)
- 050 = 50mm (OK, OM, OP, OR, OS, SM, SP, SR)
- 063 = 63mm (OK, OM, OP, OS, SM, SP, SR)

Standard Strokes

- 0010 = 10mm (OK, OM, OP, SM, SP)
- 0025 = 25mm (OK, OM, OP, OR, OS, SM, SP, SR)
- 0050 = 50mm (OK, OM, OP, OR, OS, SM, SP, SR)
- 0080 = 80mm (OM, OP, OR, OS, SM, SP, SR)
- 0100 = 100mm (OM, OP, OR, OS, SM, SP, SR)
- 0125 = 125mm (OM, OP, OR, OS, SM, SP, SR)
- 0160 = 160mm (OM, OP, OR, OS, SM, SP, SR)
- 0200 = 200mm (OM, OP, OR, OS, SM, SP, SR)
- 0250 = 250mm (OM, OP, OR, OS, SM, SP, SR)
- 0320 = 320mm (OM, OP, OR, OS, SM, SP, SR)
- 0400 = 400mm (OM, OP, OR, OS, SM, SP, SR)
- 0500 = 500mm (OM, OP, OR, OS, SM, SP, SR)

****Mounting Accessories**

- Clevis Bracket
- Female Flange
- Flange
- Foot
- Male Flange
- Pivot
- Rod Nut

Piston Diameter

- 12, 16, 20, 25, 32, 40, 50, 63
- 32, 40, 50, 63, 80, 100
- 12, 16, 20, 25, 32, 40, 50, 63
- 12, 16, 20, 25, 32, 40, 50, 63
- 32, 40, 50, 63, 80, 100
- 32, 40, 50, 63
- 12, 16, 20, 25, 32, 40, 50, 63

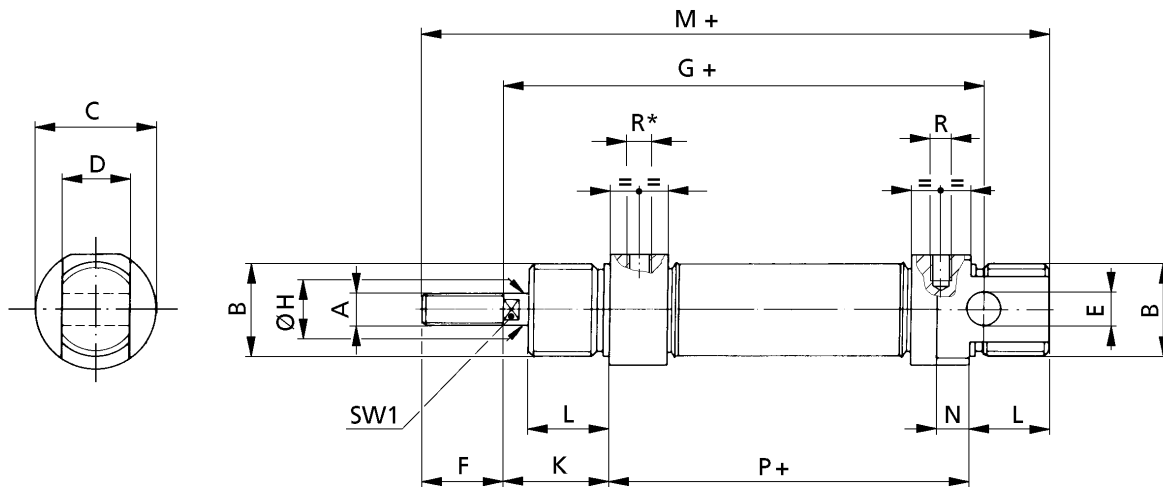
Weights (kg)	Bore Sizes									
	8	10	12	16	20	25	32	40	50	63
Cylinder type OK; OM; or OP, piston diameter	8	10	12	16	20	25	32	40	50	63
0 mm stroke	0.04	0.08	0.10	0.12	0.20	0.28	0.45	0.82	1.33	2.37
to be added per 100 mm stroke	0.01	0.01	0.03	0.03	0.05	0.07	0.10	0.13	0.22	0.23
Cylinder type OS; OR; SM or SP, piston diameter	—	—	—	16	20	25	32	40	50	63
0 mm stroke	—	—	—	0.12	0.20	0.28	0.45	0.82	1.33	2.37
to be added per 100 mm stroke	—	—	—	0.03	0.05	0.07	0.10	0.13	0.22	0.23

Dimensions: mm

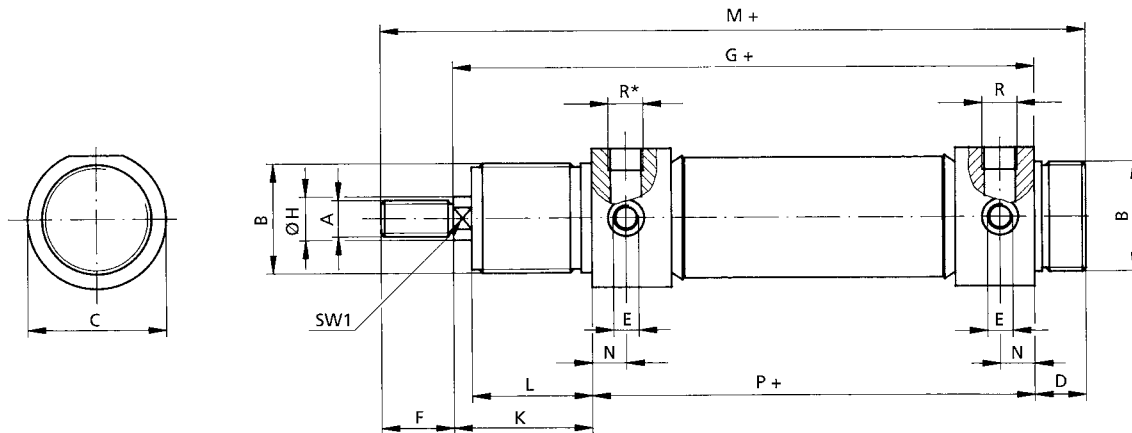
Single Rod End, Single and Double Acting

Mini Cylinder type OK; OM; OP; OS; OR; SM; SP

Piston Diameters from 8 mm to 25 mm, to DIN/ISO 6432 CETOP RP 52 P



Piston Diameters from 32 mm to 63 mm



Piston DIA. (mm)	A	B	C	D	E	F	G	H	K	L	M	N	P	R*	SW1
8	M4	M12x1.25	16.0	8.0	4.0	12.0	64.0	4.0	16.0	12.0	86.0	6.0	46.0	M5	—
10	M4	M12x1.25	16.0	8.0	4.0	12.0	64.0	4.0	16.0	12.0	86.0	6.0	46.0	M5	—
12	M6	M16x1.5	19.0	12.0	6.0	16.0	75.0	6.0	22.0	18.0	104.0	9.0	48.0	M5	5
16	M6	M16x1.5	19.0	12.0	6.0	16.0	82.0	6.0	22.0	18.0	109.0	9.0	53.0	M5	5
20	M8	M22x1.5	27.0	16.0	8.0	20.0	95.0	8.0	24.0	20.0	131.0	12.0	67.0	G 1/8	7
25	M10x1.25	M22x1.5	30.0	16.0	8.0	22.0	104.0	10.0	28.0	22.0	140.0	12.0	68.0	G 1/8	9
32	M10	M30x1.5	38.0	14.0	M8x1	20.0	134.0	12.0	38.0	30.0	168.0	9.0	96.0	G 1/8	10
40	M12	M38x1.5	46.0	16.0	M10x1	24.0	158.0	14.0	45.0	35.0	198.0	12.0	113.0	G 1/4	12
50	M16	M45x1.5	57.0	18.0	M12x1.5	32.0	170.0	18.0	50.0	38.0	220.0	12.0	120.0	G 1/4	16
63	M16	M45x1.5	70.0	18.0	M12x1.5	31.0	175.0	18.0	51.0	38.0	224.0	12.0	124.0	F 3/8	16

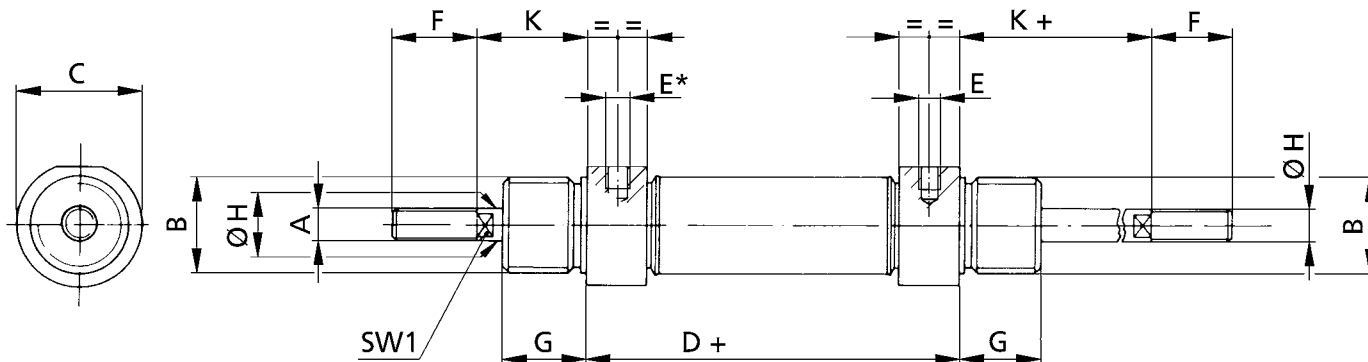
*This dimension does not apply for OK

Single Rod End, Single and Double Acting

Cylinder Type OK, OU, OM, OP and OX, Piston Diameters 8 to 12mm

Cylinder Type OK, OU, OM, OP, OR, OS, OX, SP, SM, HP and HM, Piston Diameters 16 to 25mm

Piston Diameters 8 to 25mm to DIN/ISO 6432/CETOP RP 52 P



Cylinder Forces (single acting) mm (inches)

Cylinder Type	Piston Diameter (mm)	Thrust at 6 Bar/87 PSIG (N) (lbs)	Stroke 10 mm (inch)	Spring Resistance (N) Minimum Stroke 25 mm	Stroke 50 mm	Maximum Stroke 10 - 50
OK; OI	8	18.5 (4)	3.4 (0.75)	3.9 (0.88)	3.2 (0.72)	4.5 (1.01)
OK; OI	10	34.3 (7)	3.8 (0.85)	4.5 (1.01)	3.5 (0.87)	5.7 (1.28)
OK; OI	12	46.5 (10)	3.8 (0.85)	6.0 (1.35)	4.7 (1.06)	7.5 (1.69)
OK; OI	16	84.8 (19)	12.8 (2.87)	15.4 (3.46)	11.0 (2.47)	20.2 (4.54)
OK; OI	20	115.3 (26)	18.4 (4.14)	22.6 (5.08)	7.0 (1.57)	28.1 (6.31)
OK; OI	25	232.2 (52)	24.4 (5.49)	27.2 (6.11)	22.3 (5.01)	32.7 (7.35)
OK	32	427.5 (96)	56.0 (12.59)	51.0 (11.46)	42.0 (9.44)	60.0 (13.48)
OK	40	657.4 (148)	60.0 (13.49)	55.0 (12.36)	44.0 (9.89)	65.0 (14.61)
OK	50	1075.2 (242)	64.0 (14.39)	57.0 (12.81)	46.0 (10.34)	68.0 (15.29)
OK	63	1752.3 (394)	65.0 (14.61)	58.0 (13.04)	47.0 (10.57)	70.0 (15.73)

Cylinder Forces (double acting) mm (inches)

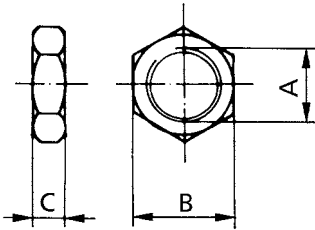
Cylinder Type	Piston Diameter (mm)	Thrust at 6 Bar (N)	Retract at 6 Bar (N)
OM; OP	8	23.0 (5.17)	15.0 (3.37)
OM; OP	10	40.0 (8.99)	32.0 (7.19)
OM; OP	12	54.0 (12.14)	37.0 (8.32)
OM; OP, OS; OR; SP, SM	16	105.0 (23.60)	88.0 (19.78)
OM; OP, OS; OR; SP, SM	20	172.0 (38.67)	142.0 (31.92)
OM; OP, OS; OR; SP, SM	25	265.0 (59.51)	218.0 (49.00)
OM; OP, OS; OR	32	440.0 (98.91)	380.0 (85.42)
OM; OP, OS; OR	40	690.0 (155.11)	600.0 (134.88)
OM; OP, OS; OR	50	1100.0 (247.28)	950.0 (213.56)
OM; OP, OS; OR	63	1770.0 (397.90)	1650.0 (370.92)

Dimensions: mm

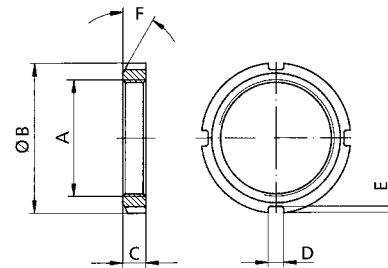
Mounting Accessories

Nut for Additional Mounting Accessories (Mini Cylinders)

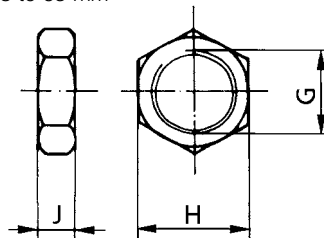
Nut for end cap,
piston diameters from 8 to 25 mm



Nut for end cap,
piston diameters from 32 to 63 mm



Nut for piston rod,
piston diameters from 8 to 63 mm



Weights

kg (oz)	Order Code	kg (oz)	Order Code
0.008 (0.282)	128-217	0.003 (0.106)	128-301
0.010 (0.352)	128-218	0.012 (0.423)	128-303
0.015 (0.529)	128-219	0.018 (0.634)	128-304
0.044 (1.55)	128-228	0.006 (0.212)	44.1361
0.067 (2.36)	128-229	0.008 (0.282)	44.1359
0.066 (2.33)	128-230	0.011 (0.388)	128-225
0.002 (0.071)	128-220	0.016 (0.564)	128-226
0.002 (0.071)	128-221	0.032 (1.13)	128-227
0.005 (0.176)	128-222	—	—
0.010 (0.352)	128-223	—	—

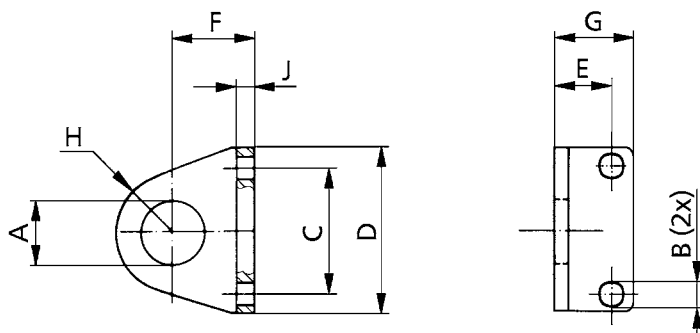
Piston Diameter (mm)	A	B	C	D	E	F	G	H	J	Order Code			
										(End Caps)*		(Piston Dia.)*	
										Galv. Steel	Stainless	Galv. Steel	Stainless
8/10	M12x1.25	19.0	7.0	—	—	—	M4	7.0	3.2	128-217	—	128-220	—
12/16	M16x1.5	24.0	8.0	—	—	—	M6	10.0	5.0	128-218	128-303	128-221	128-301
20	M22x1.5	27.0	8.0	—	—	—	M8	13.0	6.5	128-219	128-304	128-222	44.1361
25	M22x1.5	27.0	8.0	—	—	—	M10x1.25	17.0	8.0	128-219	128-304	128-223	44.1359
32	M30x1.5	45.0	7.0	5.0	2.0	30°	M10	17.0	8.0	128-228	—	—	128-225
40	M38x1.5	50.0	8.0	6.0	2.0	30°	M12	19.0	10.0	128-229	—	—	128-226
50/63	M45x1.5	58.0	9.0	6.0	2.5	30°	M16	24.0	13.0	128-230	—	—	128-227

*1 nut each included

Dimensions: mm

Mounting Accessories

Foot Bracket for Piston Diameters 8 mm to 63 mm



Weights

Approx. (kg)	Order Code
0.010	155-114
0.020	155-115
0.045	155-116
0.115	155-138
0.215	155-139
0.315	155-140
0.022	155-236
0.050	155-237

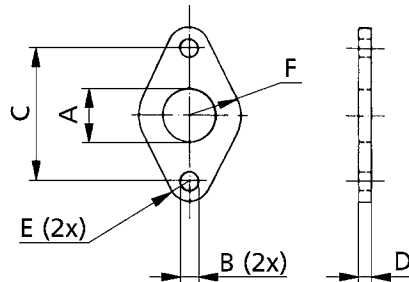
Piston Diameter (mm)	A	B	C	D	E	F	G	H	J	Order Code	
										Galvanized Steel	Stainless Steel
8/10	12.0	4.5	25.0	35.0	11.0	16.0	16.0	10.0	3.0	155-114	—
12/16	16.0	5.5	32.0	42.0	14.0	20.0	20.0	13.4	4.0	155-115	155-236
20/25	22.0	6.6	40.0	54.0	17.0	25.0	25.0	18.0	5.0	155-116	155-237
32	30.0	7.0	52.0	66.0	14.0	28.0	21.0	—	4.0	155-138	—
40	38.0	9.0	60.0	88.0	20.0	33.0	30.0	—	5.0	155-139	—
50/63	45.0	9.0	70.0	90.0	20.0	40.0	30.0	—	6.0	155-140	—

*For stainless steel information please contact your sales representative.

Dimensions: mm

Mounting Accessories

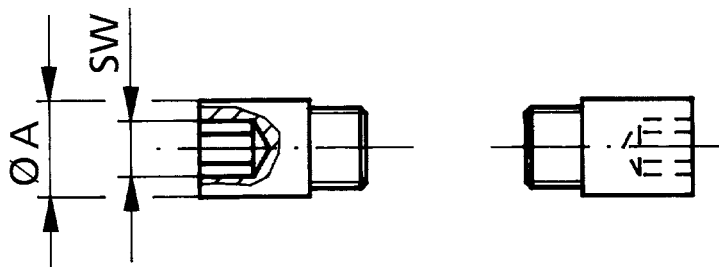
Flange Mounting for Piston Diameters from 8 mm to 25 mm



Piston Diameter (mm)	A	B	C	D	E	F	Weight Approx. (kg)	Order Code Galvanized Steel	Weight Approx. (kg)	Order Code Stainless Steel
8/10	12.0	4.5	30.0	3.0	5.0	12.5	0.012	155-111	—	—
12/16	16.0	5.5	40.0	4.0	6.0	15.0	0.026	155-112	0.030	155-226
20/25	22.0	6.6	50.0	5.0	8.0	20.0	0.050	155-113A	0.055	155-246

*For stainless steel information please contact your sales representative.

Pivot for Piston Diameters from 32 mm to 50 mm



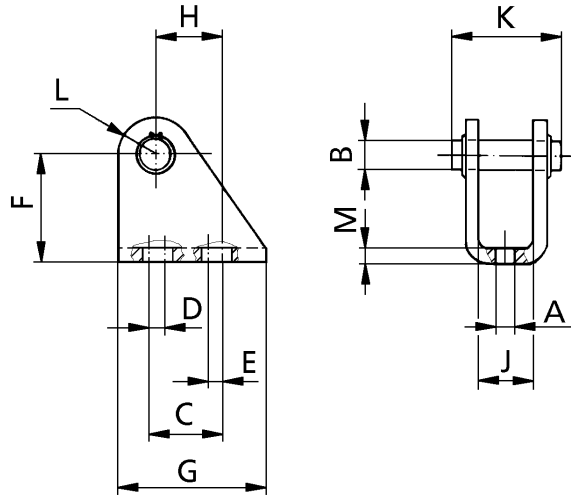
Piston Diameter (mm)	A	SW	Weight Approx. (kg)	Order Code Galvanized Steel
32	10.0	5	0.010	155-135
40	12.0	6	0.020	155-136
50	14.0	6	0.040	155-137

*For stainless steel information please contact your sales representative.

Dimensions: mm

Mounting Accessories

Rear Clevis Bracket for Piston Diameters from 8 mm to 25 mm

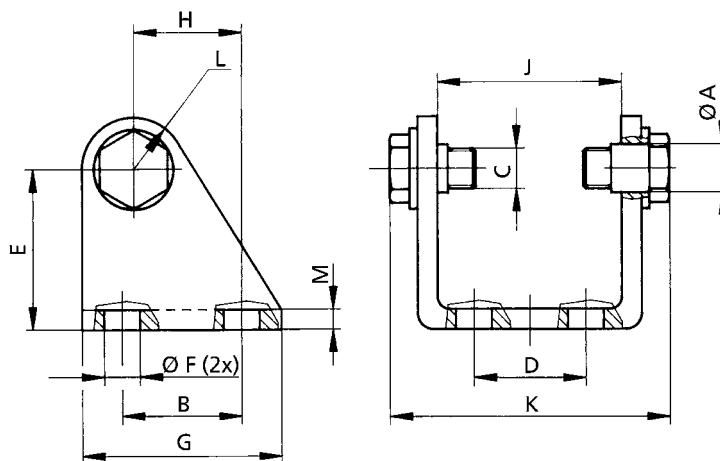


Weights

Approx. (kg)	Order Code
0.020	155-117
0.036	155-118
0.078	155-119
0.039	155-228
0.085	155-229

Piston Diameter (mm)	A	B	C	D	E	F	G	H	J	K	L	M	Order Code	
													Galvanized Steel	Stainless Steel
8/10	4.5	4.0	12.5	—	—	24.0	20.0	12.5	8.1	17.0	5.0	2.5	155-117	—
12/16	5.5	6.0	15.0	—	5.0	27.0	25.0	20.0	12.1	23.0	7.0	3.0	155-118A	155-228
20/25	6.6	8.0	20.0	5.0	—	30.0	32.0	23.0	16.1	30.0	10.0	4.0	155-119A	155-229

Rear Clevis Bracket for Piston Diameters from 32 mm to 63 mm



Piston Diameter (mm)	A	B	C	D	E	F	G	H	J	K	L	M	Order Code	
													Galvanized Steel	Stainless Steel
32	10.0	24.0	M8x1	20.0	35.0	7.0	40.0	20.0	38.1	58.0	12.0	4.0	0.160	155-132
40	12.0	30.0	M10x1	28.0	40.0	9.0	50.0	27.0	46.1	70.0	13.0	5.0	0.225	155-133
50	14.0	34.0	M12x1.5	36.0	45.0	9.0	54.0	30.0	57.1	86.5	14.0	6.0	0.380	155-134
63	16.0	35.0	M14x1.5	42.0	50.0	9.0	65.0	34.0	70.1	100.1	16.0	6.0	0.530	155-247

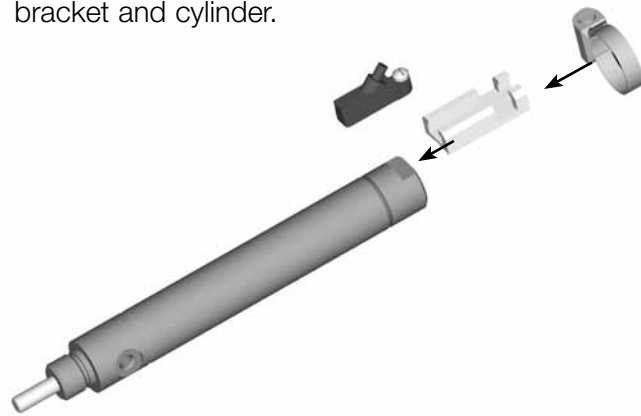
*For stainless steel information please contact your sales representative.

ISO 6432 Series Switch Information

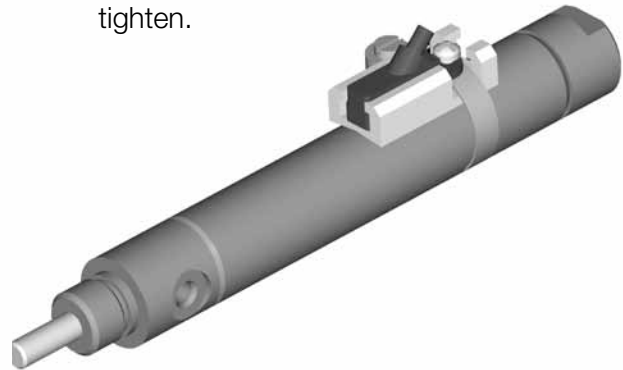
Global Switch Mounting

Tie Rod Cylinders

1. Loosen band clamp and slide over both the bracket and cylinder.



2. Tighten band clamp, loosen Phillips head screw, insert switch into bracket, and then tighten.

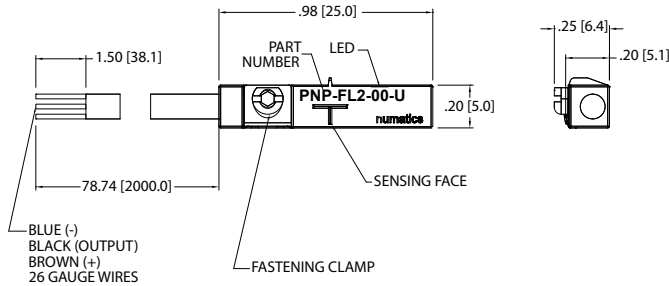


ISO 6432 Series Global Switch Bracket

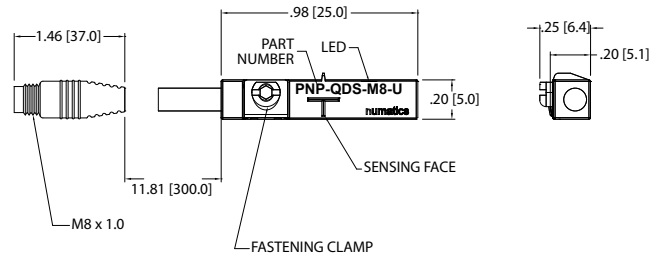
Cylinders	Bore	Part Number
ISO6432 series Short Bracket Kit	08mm-12mm	N199-1003
ISO6432 series Short Bracket Kit	16mm	N199-1004
ISO6432 series Short Bracket Kit	20mm-32mm	N199-1005
ISO6432 series Short Bracket Kit	40mm-50mm	N199-1007
ISO6432 series Short Bracket Kit	63mm	N199-1008

Sensing Part Numbers

PNP-FL2-00-U



PNP-QDS-M8-U

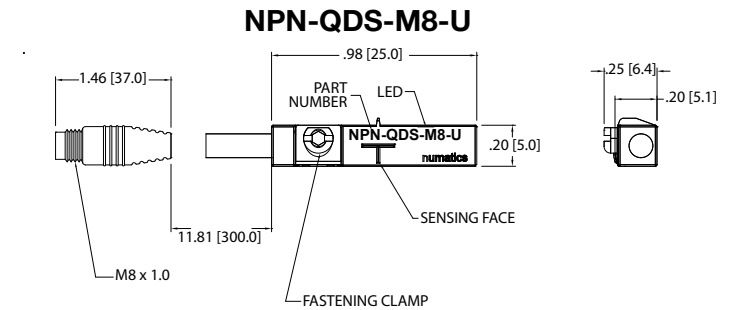
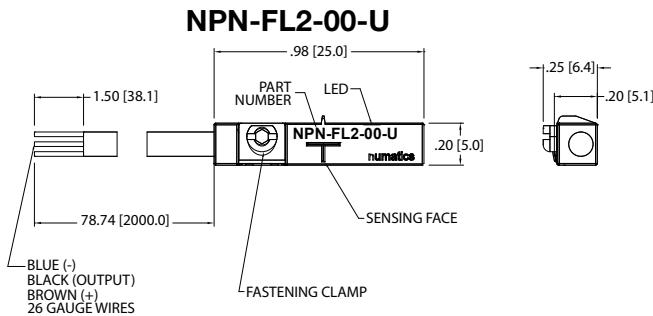





ELECTRICAL DESIGN	DC PNP
OUTPUT	Normally Open
OPERATING VOLTAGE	10-30 VDC
CURRENT RATING	100 mA
SHORT-CIRCUIT PROTECTION	Yes
OVERLOAD PROTECTION	Yes
REVERSE POLARITY PROTECTION	Yes
VOLTAGE DROP	< 2.5 V
CURRENT CONSUMPTION	< 12 mA
REPEATABILITY	< .2mm
POWER-ON DELAY TIME	< 30 ms
SWITCH FREQUENCY	> 3000 Hz
AMBIENT TEMPERATURE	-25°C to 85°C
PROTECTION	IP 67, III
HYSTERESIS	1.0mm
MAGNETIC SENSITIVITY	2.0 mT
TRAVEL SPEED	> 10 m/s
HOUSING MATERIAL	PA (Polyamide) Black; Fastening Clamp: Stainless Steel
FUNCTION DISPLAY SWITCHING STATUS	Yellow LED
CONNECTION	Flying Leads, Pur Cable (2m Long, 3 x26 Gauge Wire)
REMARKS	Clamping Screw with Combined Slot/Hexagon Socket Head AF 1.5 cULus - Class 2 Source Required
ACCESSORIES	Rubber Placeholder, Cable Clip, and Cut Sheet To Be Provided with Every Switch
AGENCY APPROVALS	




ELECTRICAL DESIGN	DC PNP
OUTPUT	Normally Open
OPERATING VOLTAGE	10-30 VDC
CURRENT RATING	100 mA
SHORT-CIRCUIT PROTECTION	Yes
OVERLOAD PROTECTION	Yes
REVERSE POLARITY PROTECTION	Yes
VOLTAGE DROP	< 2.5 V
CURRENT CONSUMPTION	< 12 mA
REPEATABILITY	< .2mm
POWER-ON DELAY TIME	< 30 ms
SWITCH FREQUENCY	> 3000 Hz
AMBIENT TEMPERATURE	-25°C to 85°C
PROTECTION	IP 67, III
HYSTERESIS	1.0mm
MAGNETIC SENSITIVITY	2.0 mT
TRAVEL SPEED	> 10 m/s
HOUSING MATERIAL	PA (Polyamide) Black; Fastening Clamp: Stainless Steel
FUNCTION DISPLAY SWITCHING STATUS	Yellow LED
CONNECTION	M8 Connector (Snap Fit) , Pur Cable (.3 m)
REMARKS	Clamping Screw with Combined Slot/Hexagon Socket Head AF 1.5 cULus - Class 2 Source Required
ACCESSORIES	Rubber Placeholder, Cable Clip, and Cut Sheet To Be Provided with Every Switch
AGENCY APPROVALS	

*Switches are not designed for wet environments. Please see your distributor for additional information.

Sensing Part Numbers



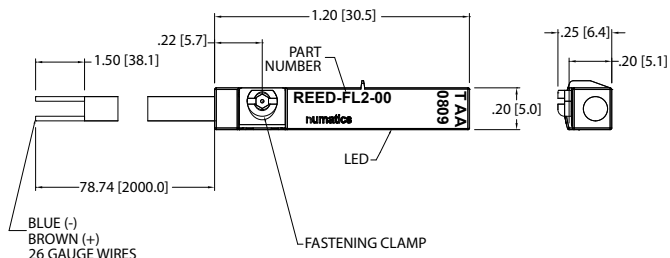
ELECTRICAL DESIGN	DC NPN
OUTPUT	Normally Open
OPERATING VOLTAGE	10-30 VDC
CURRENT RATING	100 mA
SHORT-CIRCUIT PROTECTION	Yes
OVERLOAD PROTECTION	Yes
REVERSE POLARITY PROTECTION	Yes
VOLTAGE DROP	< 2.5 V
CURRENT CONSUMPTION	< 12 mA
REPEATABILITY	< .2mm
POWER-ON DELAY TIME	< 30 ms
SWITCH FREQUENCY	> 3000 Hz
AMBIENT TEMPERATURE	-25°C to 85°C
PROTECTION	IP 67, III
HYSTERESIS	1.0mm
MAGNETIC SENSITIVITY	2.0 mT
TRAVEL SPEED	> 10 m/s
HOUSING MATERIAL	PA (Polyamide) Black; Fastening Clamp: Stainless Steel
FUNCTION DISPLAY SWITCHING STATUS	Yellow LED
CONNECTION	Flying Leads, Pur Cable (2m Long, 3 x26 Gauge Wire)
REMARKS	Clamping Screw with Combined Slot/Hexagon Socket Head AF 1.5 cULus - Class 2 Source Required
ACCESSORIES	Rubber Placeholder, Cable Clip, and Cut Sheet To Be Provided with Every Switch
AGENCY APPROVALS	  

ELECTRICAL DESIGN	DC NPN
OUTPUT	Normally Open
OPERATING VOLTAGE	10-30 VDC
CURRENT RATING	100 mA
SHORT-CIRCUIT PROTECTION	Yes
OVERLOAD PROTECTION	Yes
REVERSE POLARITY PROTECTION	Yes
VOLTAGE DROP	< 2.5 V
CURRENT CONSUMPTION	< 12 mA
REPEATABILITY	< .2mm
POWER-ON DELAY TIME	< 30 ms
SWITCH FREQUENCY	> 3000 Hz
AMBIENT TEMPERATURE	-25°C to 85°C
PROTECTION	IP 67, III
HYSTERESIS	1.0mm
MAGNETIC SENSITIVITY	2.0 mT
TRAVEL SPEED	> 10 m/s
HOUSING MATERIAL	PA (Polyamide) Black; Fastening Clamp: Stainless Steel
FUNCTION DISPLAY SWITCHING STATUS	Yellow LED
CONNECTION	M8 Connector (Snap Fit) , Pur Cable (.3 m)
REMARKS	Clamping Screw with Combined Slot/Hexagon Socket Head AF 1.5 cULus - Class 2 Source Required
ACCESSORIES	Rubber Placeholder, Cable Clip, and Cut Sheet To Be Provided with Every Switch
AGENCY APPROVALS	  

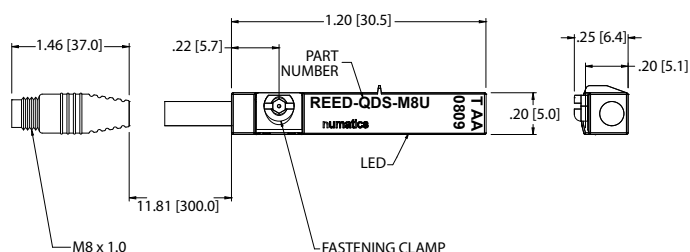
*Switches are not designed for wet environments. Please see your distributor for additional information.

Sensing Part Numbers

REED-FL2-00



REED-QDS-M8U



ELECTRICAL DESIGN	AC/DC REED
OUTPUT	Normally Open
OPERATING VOLTAGE	5-120 VAC/DC
CURRENT RATING	100 mA*
SHORT-CIRCUIT PROTECTION	No
OVERLOAD PROTECTION	No
REVERSE POLARITY PROTECTION	Yes
VOLTAGE DROP	< 5 V
REPEATABILITY	± .2mm
MAKETIME INCLUDING BOUNCE	< .6 ms
BREAKTIME	< .1 ms
SWITCHING POWER (MAX)	5 W
SWITCH FREQUENCY	1000 Hz
AMBIENT TEMPERATURE	-25°C to 70°C
PROTECTION	IP 67, II
HYSTERESIS	.9mm
HOUSING MATERIAL	PA (Polyamide) Black; Fastening Clamp: Stainless Steel
FUNCTION DISPLAY SWITCHING STATUS	Yellow LED
CONNECTION	Flying Leads, Pur Cable (2m Long, 2 x26 Gauge Wire)
REMARKS	*External Protective Circuit for Inductive Load (Valve, Contactor, Etc..) Necessary. Conforms to 2008 NEC Section 725 III, Class 2 Circuits Clamping Screw with Combined Slot/Hexagon Socket Head AF 1.5. No LED Function in case of Polarity in DC Operation
ACCESSORIES	Rubber Placeholder, Cable Clip, and Cut Sheet To Be Provided with Every Switch
AGENCY APPROVALS	CE RoHS

ELECTRICAL DESIGN	AC/DC REED
OUTPUT	Normally Open
OPERATING VOLTAGE	*5-60 VDC / 5-50 VAC
CURRENT RATING	100 mA
SHORT-CIRCUIT PROTECTION	No
OVERLOAD PROTECTION	No
REVERSE POLARITY PROTECTION	Yes
VOLTAGE DROP	< 5 V
REPEATABILITY	± .2mm
MAKETIME INCLUDING BOUNCE	< .6 ms
BREAKTIME	< .1 ms
SWITCHING POWER (MAX)	5 W
SWITCH FREQUENCY	1000 Hz
AMBIENT TEMPERATURE	-25°C to 70°C
PROTECTION	IP 67, II
HYSTERESIS	.9mm
HOUSING MATERIAL	PA (Polyamide) Black; Fastening Clamp: Stainless Steel
FUNCTION DISPLAY SWITCHING STATUS	Yellow LED
CONNECTION	M8 Connector (Snap Fit), Pur Cable (.3m)
REMARKS	*External Protective Circuit for Inductive Load (Valve, Contactor, Etc..) Necessary. Conforms to 2008 NEC Section 725 III, Class 2 Circuits M8 Connector voltage limited to 5-60 vdc / 5-50 vac to conform with 2008 IEC 61076-2-104 Clamping Screw with Combined Slot/Hexagon Socket Head AF 1.5. No LED Function in case of Polarity in DC Operation
ACCESSORIES	Rubber Placeholder, Cable Clip, and Cut Sheet To Be Provided with Every Switch
AGENCY APPROVALS	CE RoHS

*Switches are not designed for wet environments. Please see your distributor for additional information.



World Class Supplier of Pneumatic Components



World Headquarters

USA Numatics, Incorporated

46280 Dylan Drive
Novi, Michigan 48377

P: 248-596-3200
F: 248-596-3201

Canada Numatics, Ltd

P: 519-758-2700
F: 519-758-5540

México - Ascomatica SA de CV

P: 52 55 58 09 56 40 (DF y Area metropolitana)
P: 01 800 000 ASCO (2726) (Interior de la República)
F: 52 55 58 09 56 60

Brazil Ascoval Ind.e Comercio Ltda

P: (55) 11-4208-1700
F: (55) 11-4195-3970