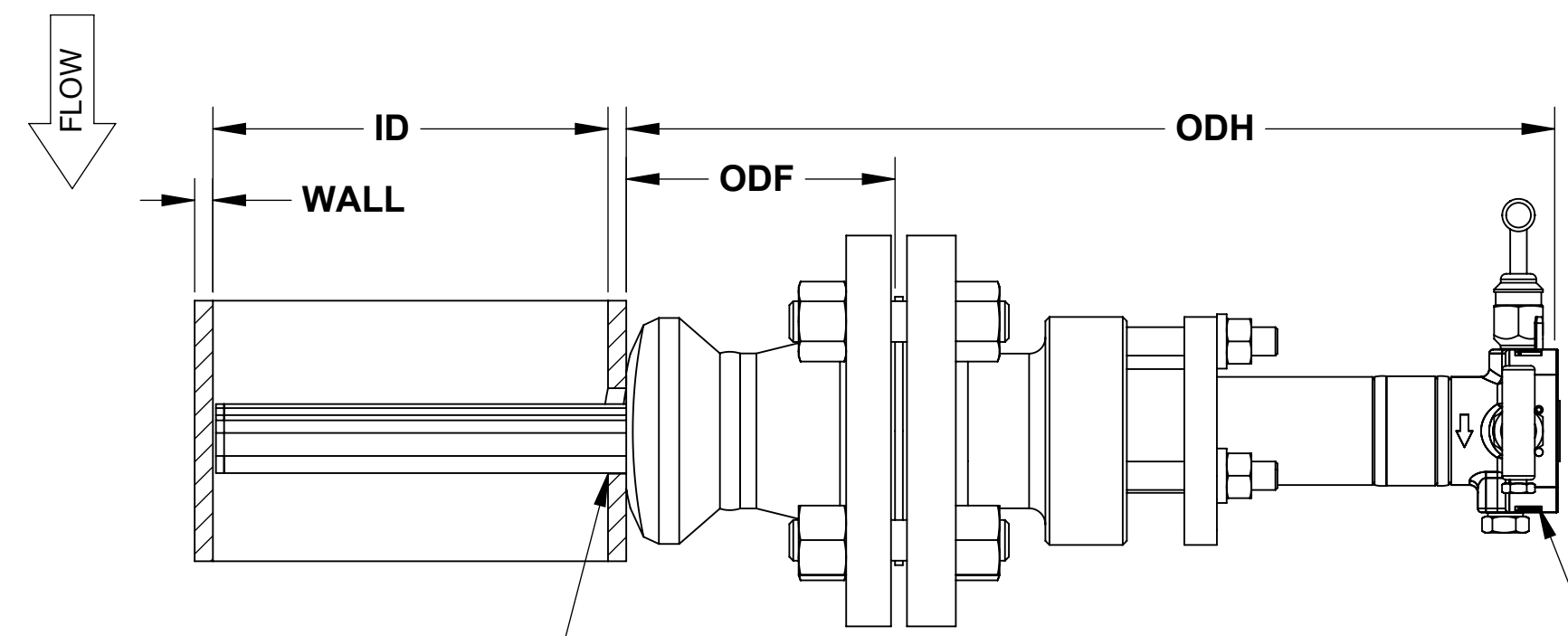
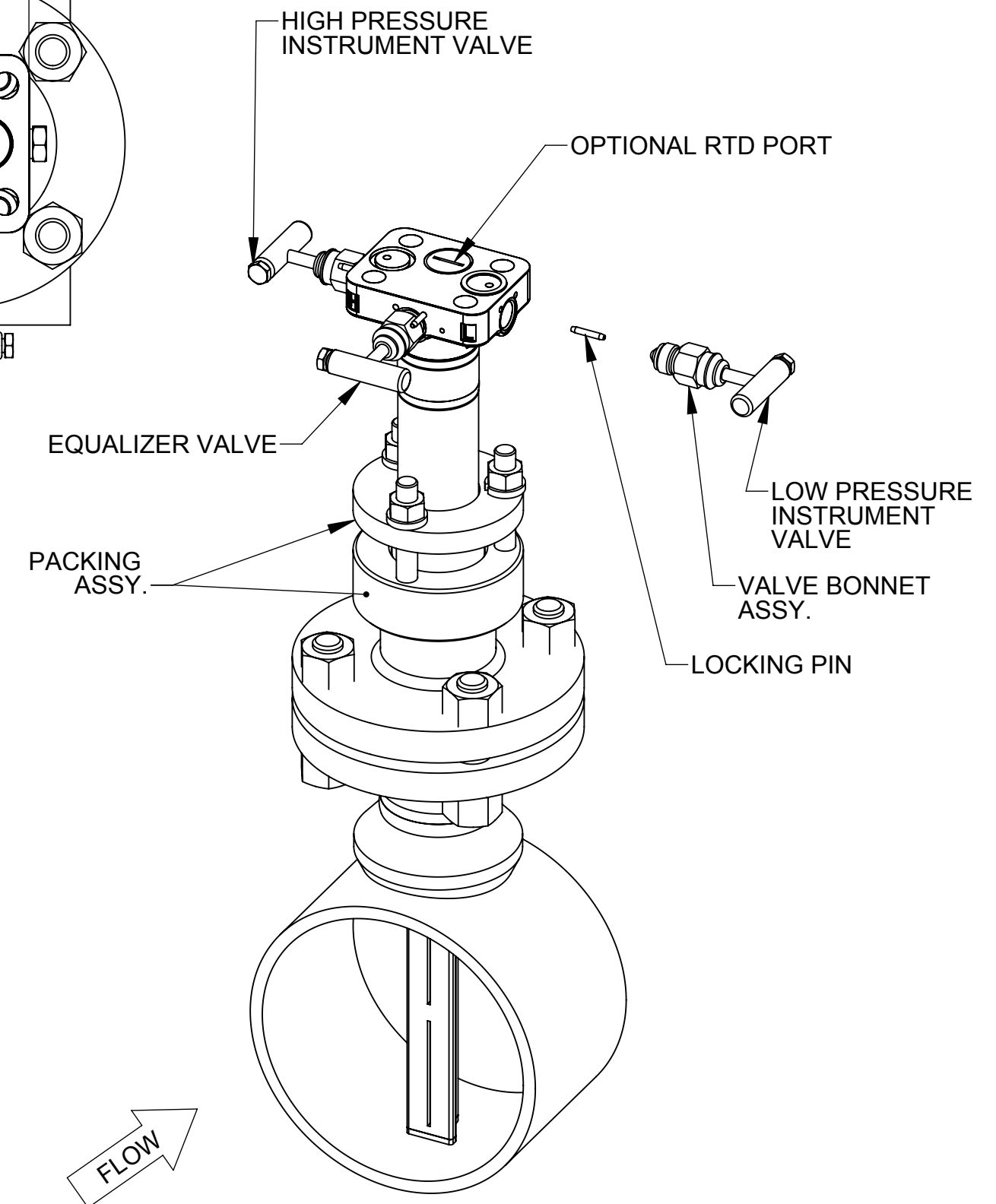
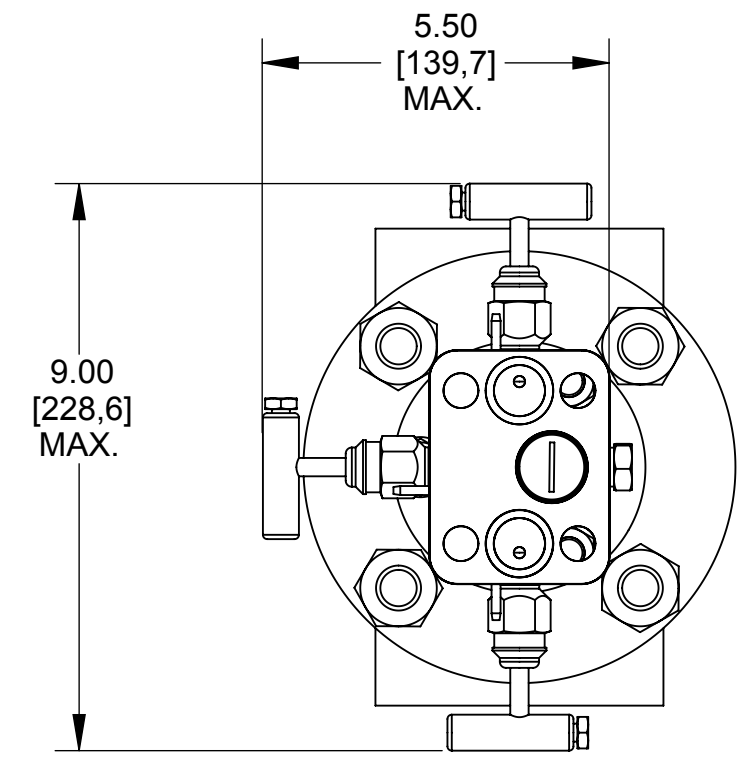
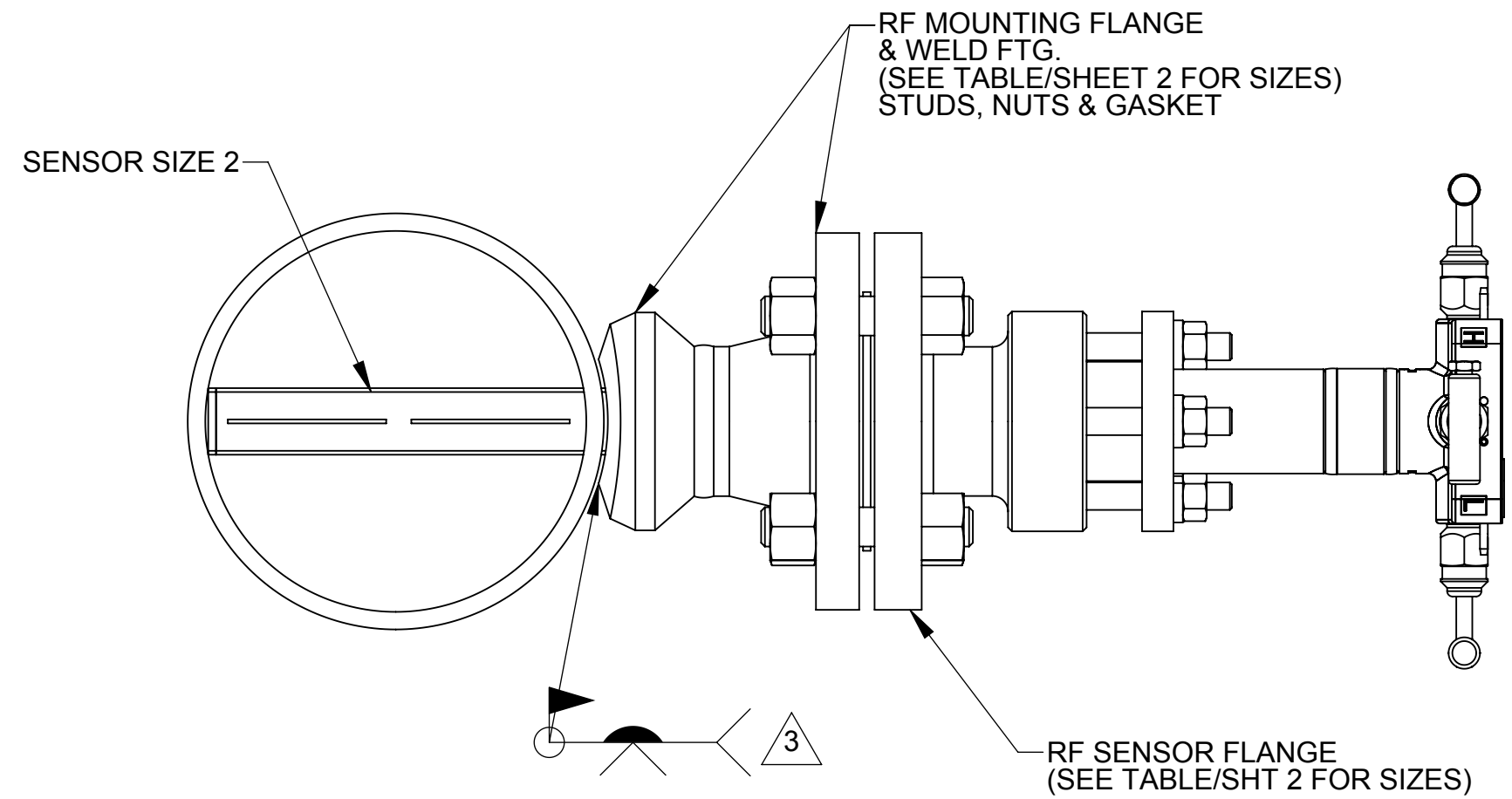


REVISIONS				
REV	DESCRIPTION	CHG.NO.	APP'D	DATE
AE	GENERAL UPDATES	DSI1003288	JR	05/06/10



INTEGRAL MOUNT HEAD OPTION

FLANGE-LOK SENSOR SIZE 2

NOTICE

FOR ACCURATE FLOW MEASUREMENT THE CORRECT HOLE SIZE IN PIPE MUST BE:

1-5/16 INCH (34mm)

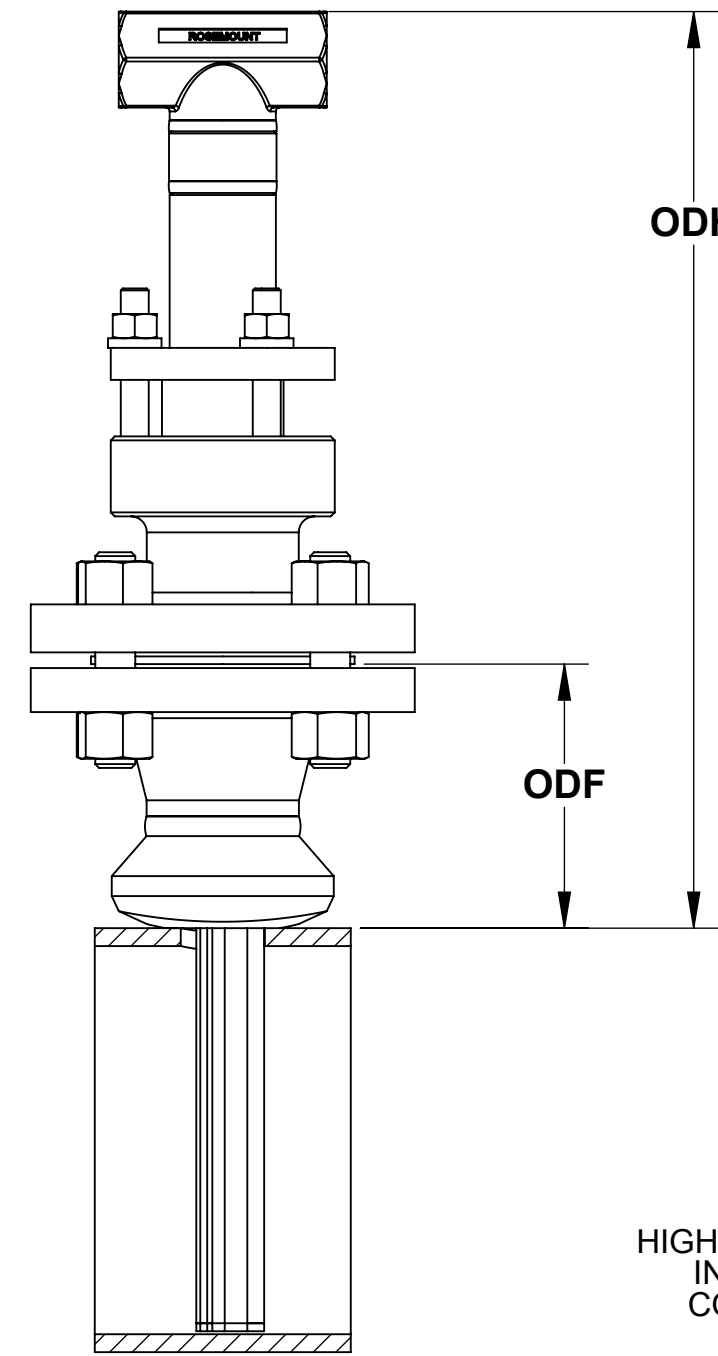
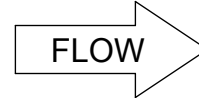
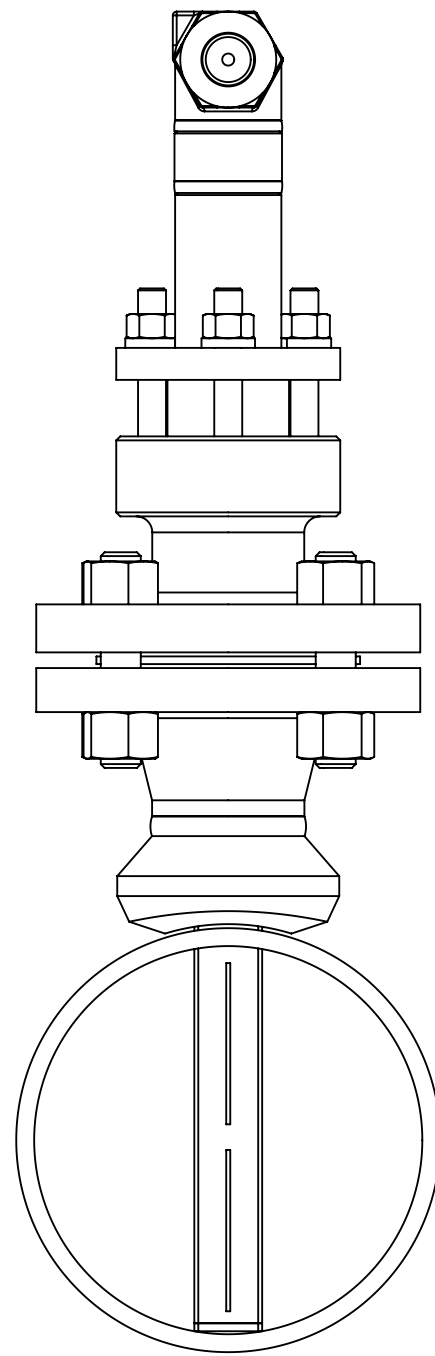
DO NOT DRILL OVERSIZE
DO NOT TORCH CUT HOLE

NOTE: UNLESS OTHERWISE SPECIFIED ALL INFORMATION IS BOTH (TYP) & GENERAL TO STANDARD PRODUCT DESIGN ALL PIPE SECTIONS SHOWN FOR REFERENCE ONLY

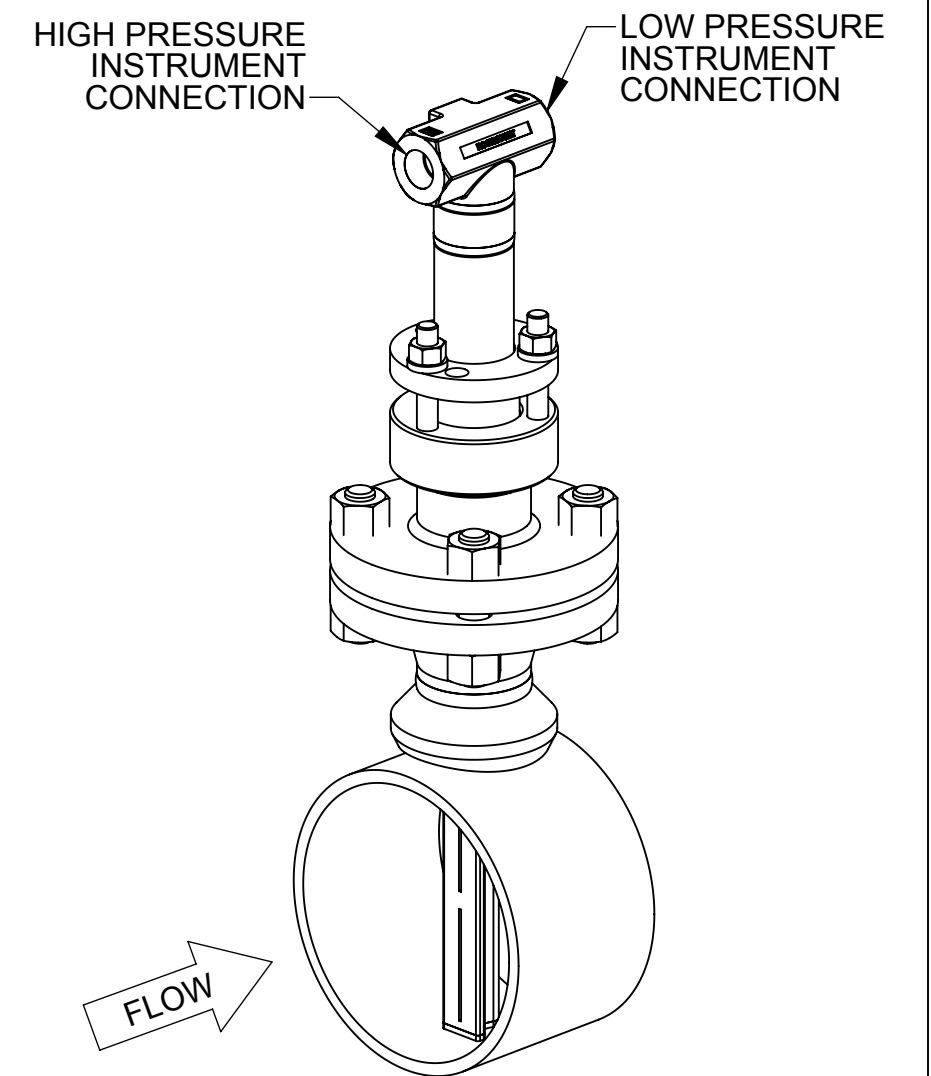
<p>*UNLESS OTHERWISE SPECIFIED DIMENSIONS IN INCHES (MM)</p> <p>*ALL DIMENSIONS ARE NOMINAL AND ARE FOR REFERENCE ONLY</p>	TYPE I		ROSEMOUNT®		
	DR.	J.PAYLOR	10/26/05	BOULDER, COLORADO	
	APPROVAL			TITLE	
	DRAWING	D.VERHAAGEN	1/9/06	DIMENSION DRAWING, MODEL 485 ANNUBAR FLOWMETER (3051SFA, 3051CFA 2051CFA, 3095MFA) SENSOR SIZE 2 FLANGE-LOK 150# - 600# ANSI	
	TAGGING			SIZE A	DRAWING NO. 00485-1010
SPECIALS			SCALE: NONE	SHEET 1 OF 3	

FLANGE-LOK SENSOR SIZE 2

Min. Rod Reynolds	Probe Width	Flange Rating	Flange Size [NPS]	All Flange-Lok	
				ODF	ODH [MAX.]
12500	1.060 [26,92]	150# ANSI	2sch80	4.13 [104,9]	14.25 [362,0]
		300# ANSI		4.38 [111,3]	
		600# ANSI		4.75 [120,7]	
		DN/PN 16	DN50	3.40 [86,4]	
		DN/PN 40		3.52 [89,4]	
		DN/PN 100		4.30 [109,2]	
		150# RTJ	2sch80	4.31 [109,5]	
		300# RTJ		4.63 [117,6]	
600# RTJ	4.81 [122,2]				



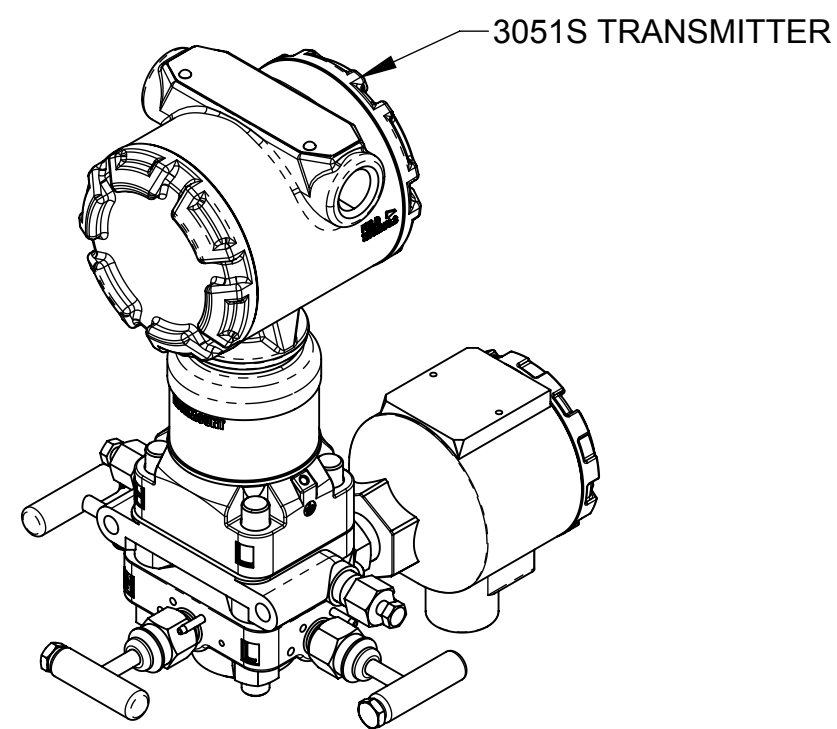
**FLANGE-LOK
HORIZONTAL FLOW
REMOTE MOUNT INSTRUMENT CONNECTIONS
(NO INSTRUMENT VALVES SHOWN)**



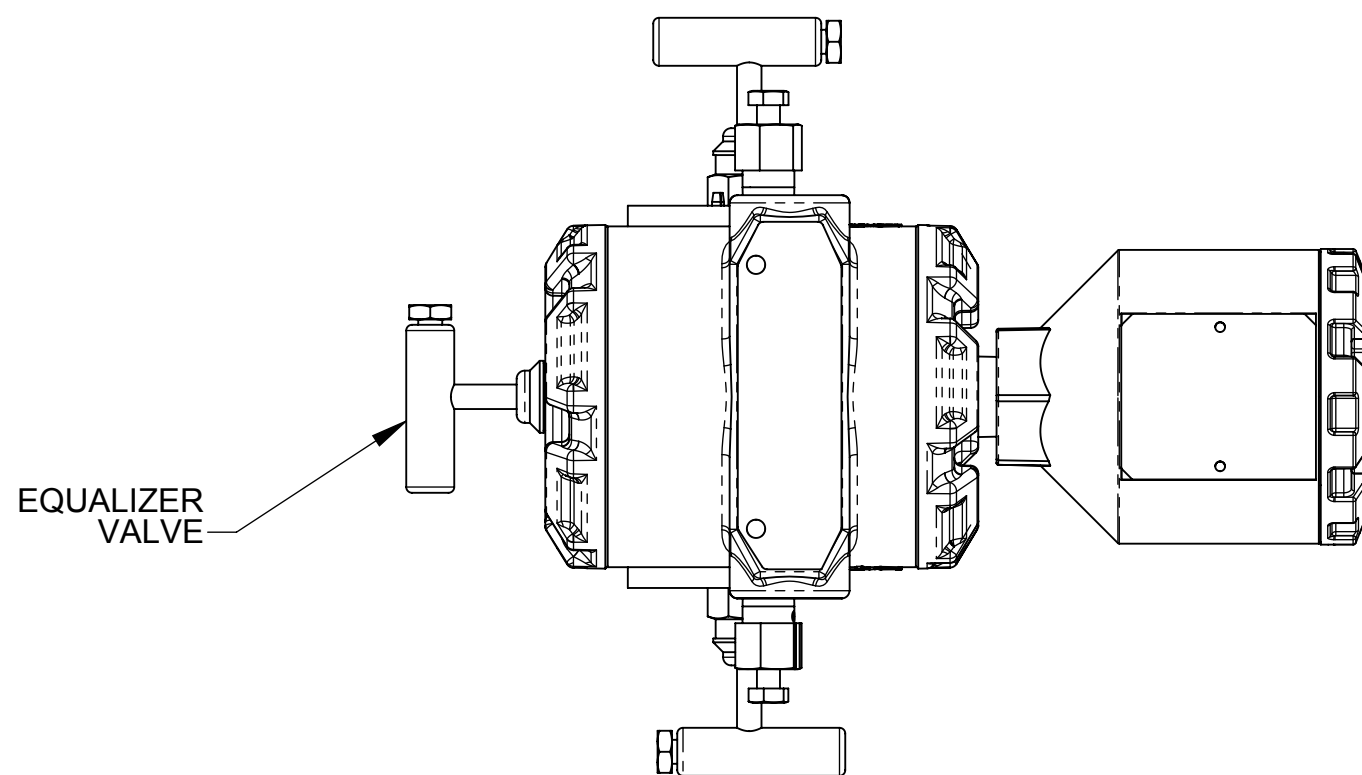
NOTES:

- ROSEMOUNT INC. CERTIFIES THIS DRAWING IS IN ACCORDANCE WITH ROSEMOUNT ENGINEERING SPECIFICATIONS AND ACCURATELY REPRESENTS THE EQUIPMENT FURNISHED.
- ALL ORIENTATIONS SHOWN FOR REFERENCE ONLY. FOR ACTUAL RECOMMENDED LOCATIONS AND ORIENTATIONS REFER TO INSTALLATION INSTRUCTION MANUAL 00809-0100-4809, QUICK INSTALLATION GUIDE (QIG) 00825-0200-4809.
- FIELD WELD. REFER TO INSTALLATION INSTRUCTIONS FOR WELD REQUIREMENTS.
- MAXIMUM PRESSURE: 600lb ANSI EQUIVALENT (1440 PSIG AT 100°F/ 9928.5Kpa g at 37.8C) FOR 316SS.
- MAX TEMPERATURE: 500°F (260 C) FOR INTEGRAL TRANSMITTER MOUNTING
850°F (454.4 C) FOR STAINLESS STEEL REMOTE TRANSMITTER MOUNTING
1250°F (676.7 C) FOR HASTELLOY REMOTE TRANSMITTER MOUNTING
- FOR MODEL SELECTIONS, REFER TO ROSEMOUNT PRODUCT DATA SHEETS.

ROSEMOUNT®		
BOULDER, COLORADO		
SIZE A	FSCM.NO.	DRAWING NO. 00485-1010
SCALE: NONE	WT.	SHEET 2 OF 3

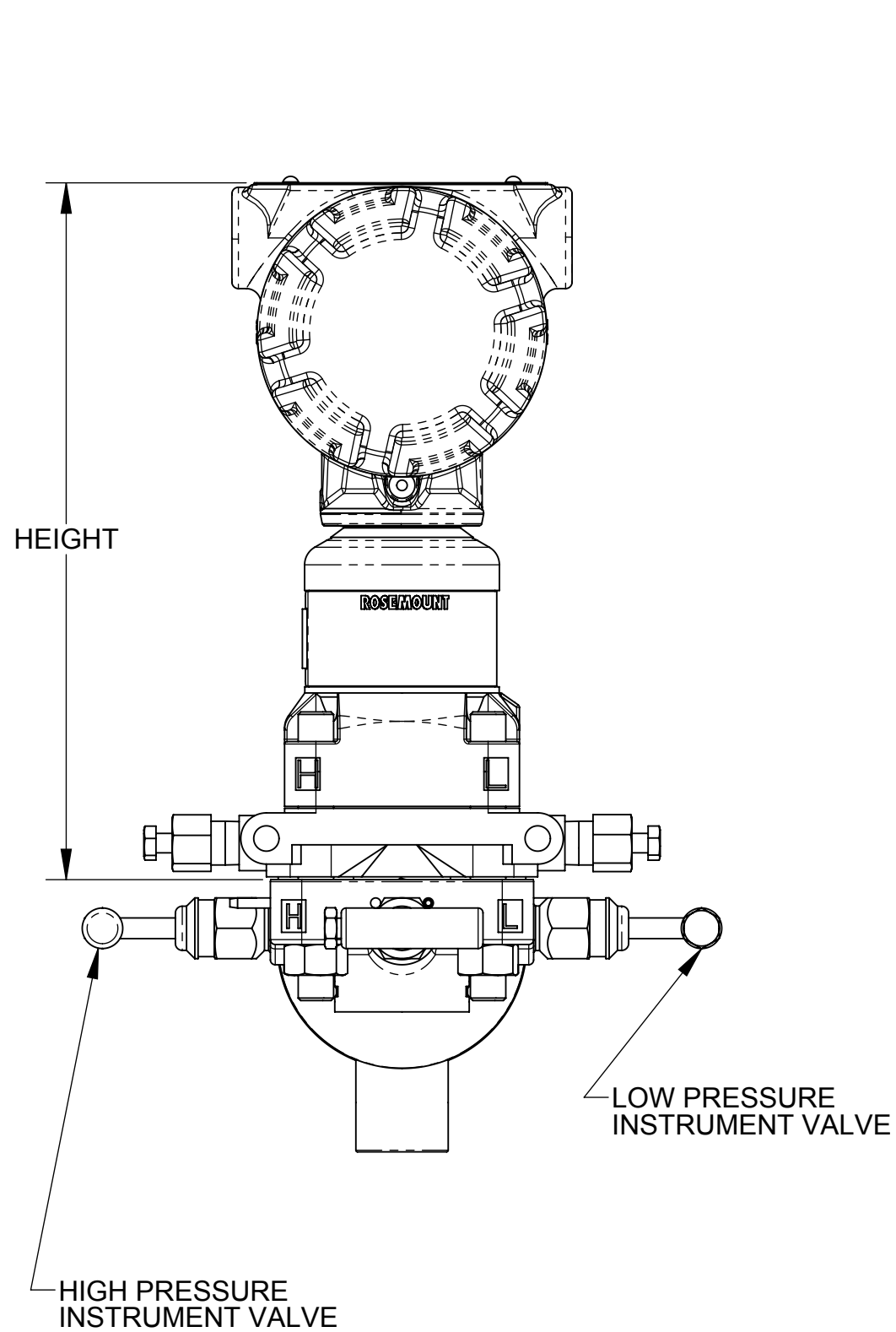


3051S TRANSMITTER



EQUALIZER VALVE

3051SFA, STD HARDWARE

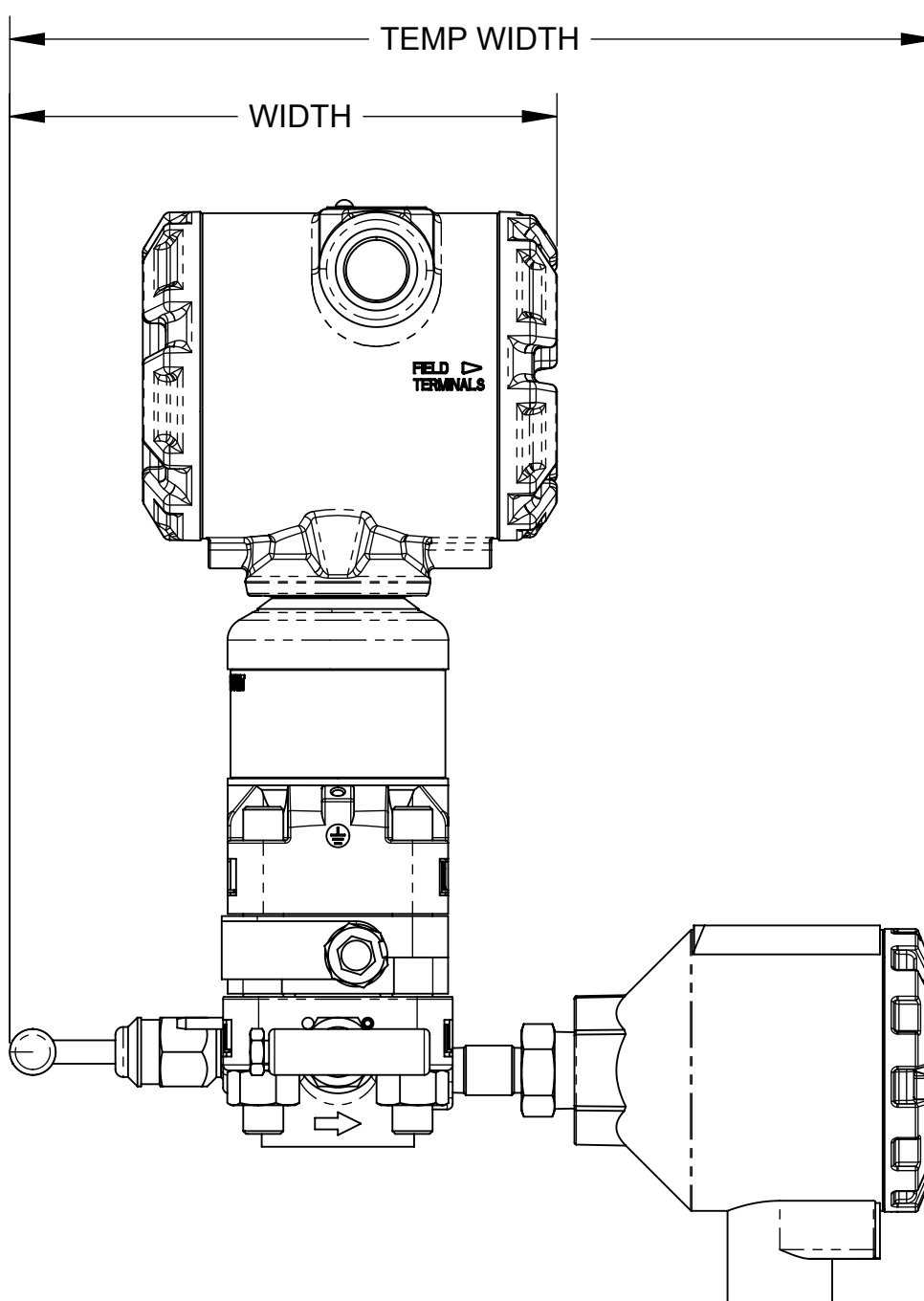


HEIGHT

HIGH PRESSURE INSTRUMENT VALVE

LOW PRESSURE INSTRUMENT VALVE

3051SFA SHOWN



TEMP WIDTH

WIDTH

FIELD TERMINALS

FLOWMETER	HEIGHT	WIDTH	TEMP WIDTH
2051CFA	7.03 [178,5]	5.50 [139,7]	10.09 [256,3]
3051CFA	7.10 [181,0]	5.67 [144,0]	
3051SFA	8.53 [216,7]	5.67 [144,0]	
3095MFA	7.10 [181,0]	5.67 [144,0]	

ROSEMOUNT®
BOULDER, COLORADO

SIZE A	FSCM.NO.	DRAWING NO. 00485-1010
SCALE: NONE WT.		SHEET 3 OF 3