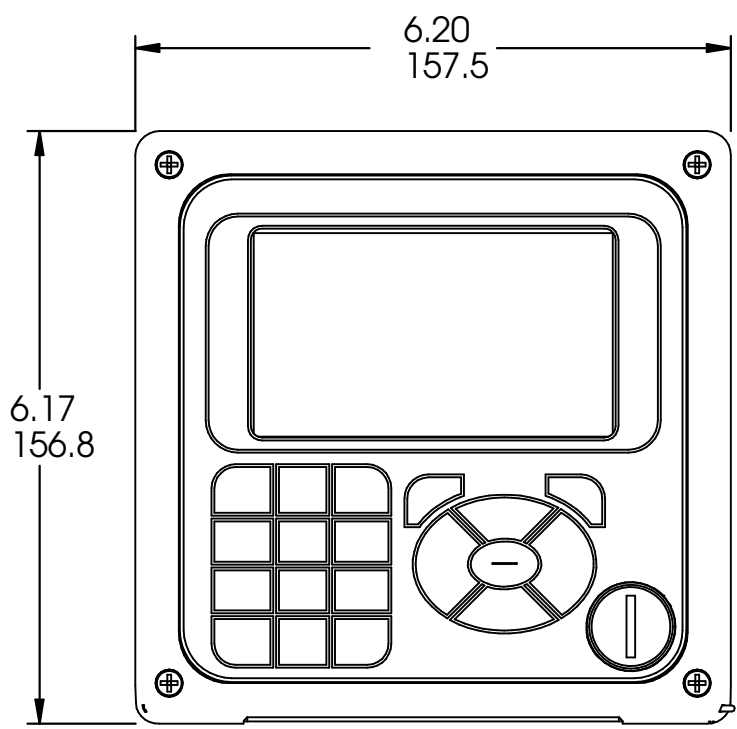


WHEN INCH AND METRIC DIMS  
ARE GIVEN

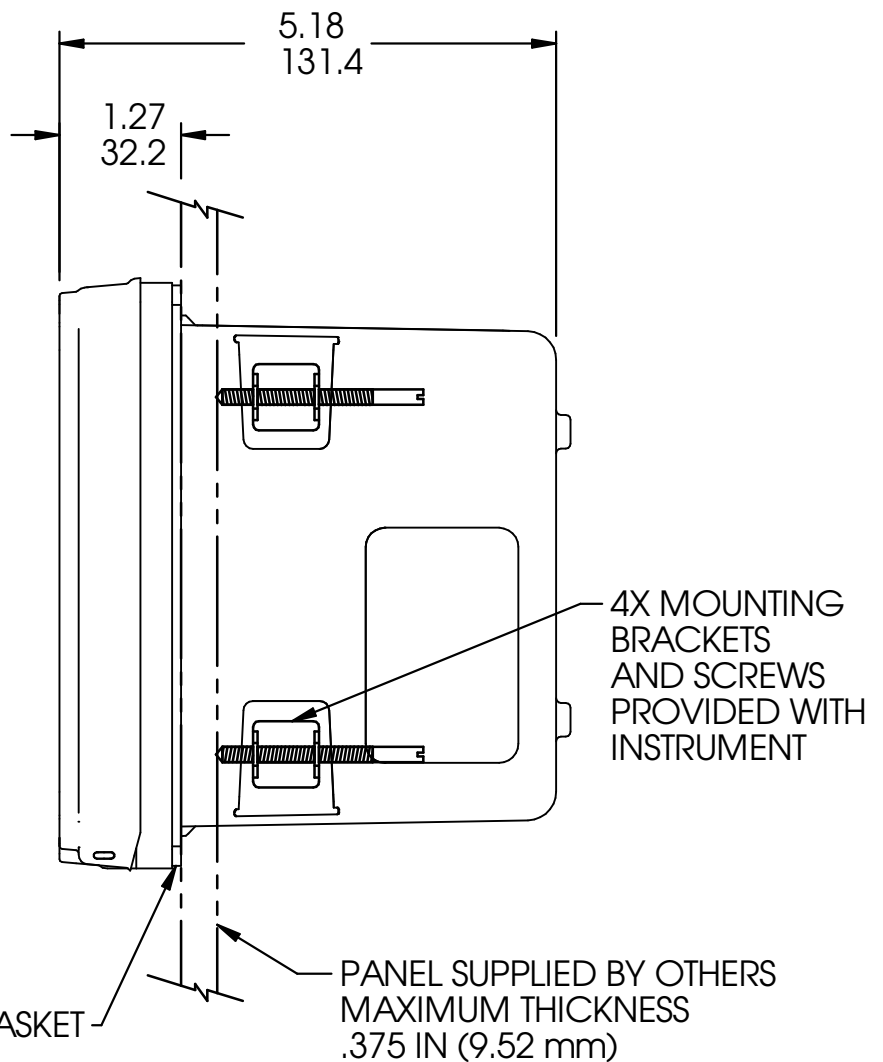
INCH  
MILLIMETER

REVISIONS				
LTR	DESCRIPTION	BY	DATE	APVD

## PANEL MOUNT

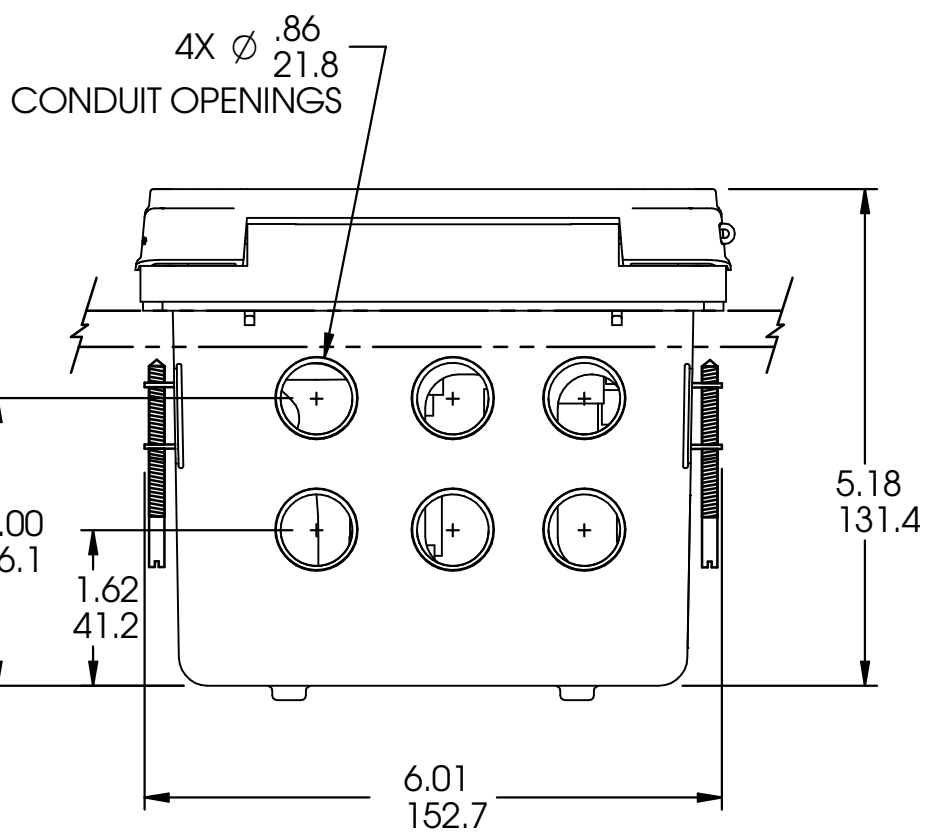


FRONT VIEW

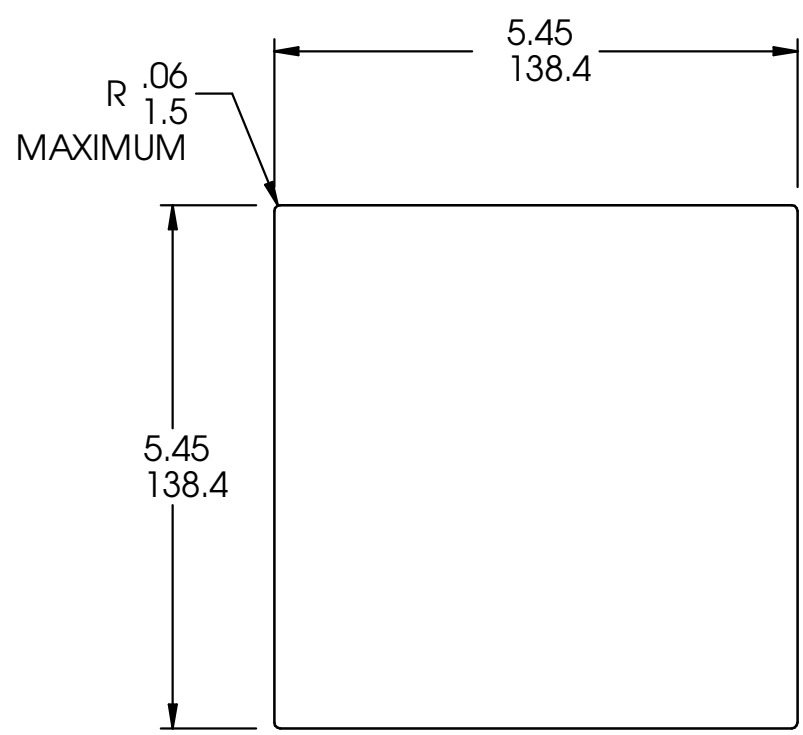


SIDE VIEW

PANEL MOUNT GASKET



BOTTOM VIEW



PANEL CUT-OUT

NOTES: UNLESS OTHERWISE SPECIFIED

APPROVALS		DATE	<b>Emerson</b>	Emerson Process Management Rosemount Analytical Division 2400 Barranca Pkwy Irvine, CA 92606	
DRAWN	C. HOANG	1-21-11		TITLE	MODEL 56, PANEL MOUNTING DIMENSIONS
CHECKED			THIS DWG CREATED IN SOLID EDGE	DWG NO	40005602
PROJECT ENGR	APVD			REV	A