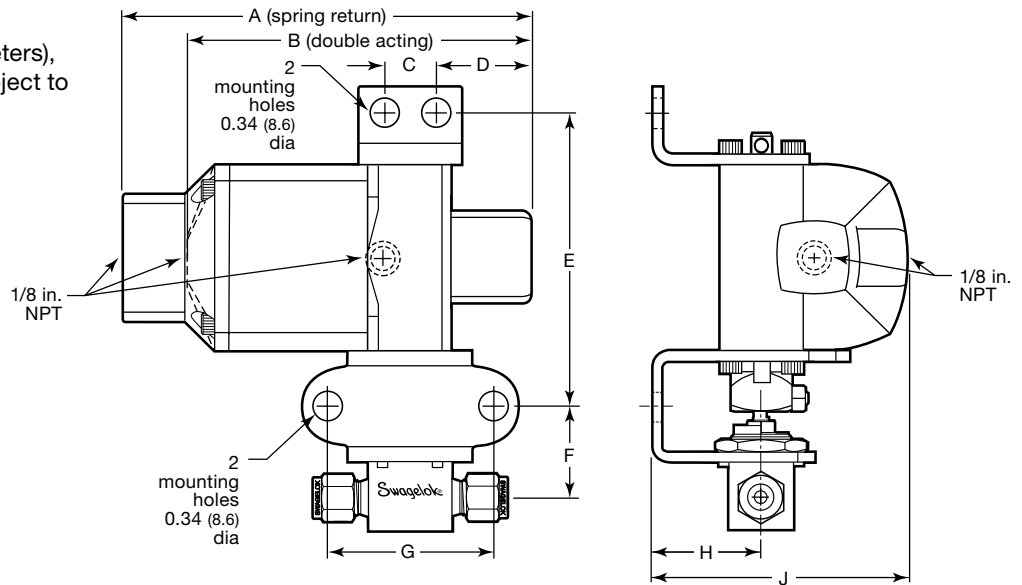


## Pneumatic Actuators

### Dimensions

Dimensions, in inches (millimeters), are for reference only and subject to change.



Valve Series <sup>①</sup>	Actuator Model	Dimensions, in. (mm)								
		A	B	C	D	E	F	G	H	J
41G, 42G, 41, 42, 41GX, 42GX, 41X, 42X	31 (90°)	4.91	4.09	0.63	1.15	3.55	1.02	2.00	1.31	3.04
	51 (180°)	(125)	(104)	(16.0)	(29.2)	(90.2)	(25.9)	(50.8)	(33.3)	(77.2)
43G, 43, 43GX, 43X, 43Y	31 (90°)	4.91	4.09	0.63	1.15	3.55	1.11	2.00	1.31	3.04
	51 (180°)	(125)	(104)	(16.0)	(29.2)	(90.2)	(28.2)	(50.8)	(33.3)	(77.2)
	33 (90°)	7.86	5.89	0.88	1.73	4.61	1.17	2.00	1.75	4.07
	53 (180°)	(200)	(150)	(22.4)	(43.9)	(117)	(29.7)	(50.8)	(44.4)	(103)
44, 44X	33 (90°)	7.86	5.89	0.88	1.73	4.88	1.56	2.00	1.75	4.07
	53 (180°)	(200)	(150)	(22.4)	(43.9)	(124)	(39.6)	(50.8)	(44.4)	(103)
45, 45X, 45Y	33 (90°)	7.86	5.89	0.88	1.73	4.88	1.69	2.19	1.75	4.07
	53 (180°)	(200)	(150)	(22.4)	(43.9)	(124)	(42.9)	(55.6)	(44.4)	(103)

① X designates switching (3-way) valve; Y designates crossover (4-way) valve.

## Ordering Information

### Factory-Assembled Valves with Actuators

#### Typical Ordering Number

A    B C D  
**SS - 43GS4 -31 D HT**

#### **A** Valve Ordering Number

#### **B** Actuator Model

Based on valve series, select actuator designator. See **Actuator Pressure at Maximum System Pressure** table, page 16.

- 31 = 90° actuation
- 33 = 90° actuation
- 51 = 180° actuation
- 53 = 180° actuation

#### **C** Actuation Mode

- C = Spring return, normally closed
- D = Double acting
- O = Spring return, normally open
- S = Spring return, 3-way and 4-way valves

#### **D** Actuator Service

- HT = High temperature
- LT = Low temperature
- NF = Nonfluorocarbon
- None = Standard

For dual-mounted assemblies (two valves mounted to one actuator), add **DM** to the ordering number.

Example: SS-43GS4-31DDM

See next page for **Kits for Field Assembly**.

## Pneumatic Actuators

### Ordering Information

#### Kits for Field Assembly

Order one actuator kit and one mounting bracket kit for each valve.

#### Actuator Kit Typical Ordering Number

A    B    C  
 MS-1 **31** - **DA** -**HT**

#### A Actuator Model

Based on valve series, select actuator model. See **Dimensions** table, page 17.

- 31 = 90° actuation
- 33 = 90° actuation
- 51 = 180° actuation
- 53 = 180° actuation

#### B Actuation Mode

- DA = Double acting
- SR = Spring return

#### C Actuator Service

- HT = High temperature
- LT = Low temperature
- NF = Nonfluorocarbon
- None = Standard

#### Mounting Bracket Kits

Mounting bracket kits contain:

- 316 stainless steel mounting bracket
- 420 stainless steel actuator roll pin
- Coupling
  - 40G series—304 stainless steel
  - 40 series—carbon steel
- Coupling pin
  - 40G series—S17400 stainless steel
  - 40 series—carbon steel
- Lock nut
  - 40G series—18-8 stainless steel
  - 40 series—carbon steel
- Four 18-8 stainless steel socket head cap screws (kit SS-MS-41G for 41G, 42G, 41GX, and 42GX series *only*)
- instructions.

Valve Series <sup>①</sup>	Actuator Model	Mounting Bracket Kit Ordering Number
41G, 42G	31 (90°)	SS-MB-41G <sup>②</sup>
41GX, 42GX	51 (180°)	SS-MB-41G <sup>②</sup>
43G	31 (90°)	SS-MB-43G
	33 (90°)	SS-MB-43G-133
43GX	51 (180°)	SS-MB-43G
	53 (180°)	SS-MB-43G-133
41, 42	31 (90°)	MS-MB-41 <sup>②</sup>
41X, 42X	51 (180°)	MS-MB-41 <sup>②</sup>
43	31 (90°)	MS-MB-43
	33 (90°)	MS-MB-43-133
43X	51 (180°)	MS-MB-43
	53 (180°)	MS-MB-43-133
43Y	31 (90°)	MS-MB-43Y
	33 (90°)	MS-MB-43Y-133
44	33 (90°)	MS-MB-44 <sup>③</sup>
44X	53 (180°)	MS-MB-44 <sup>③</sup>
45	33 (90°)	MS-MB-45
45X	53 (180°)	MS-MB-45
45Y	33 (90°)	MS-MB-45Y

<sup>①</sup> X designates switching (3-way) valve; Y designates crossover (4-way) valve.

<sup>②</sup> 42G series and 42 series valves with VCO or VCR end connections mounted to a Swagelok pneumatic actuator are only available factory assembled.

<sup>③</sup> 44 series valves with VCR end connections require kit **MS-MB-44-VCR**.

#### Coupling Kits

Coupling kits enable replacement of 41, 42, or 43 series valves mounted to Swagelok pneumatic actuators with equivalent 41G, 42G, or 43G series valves. Coupling kits contain:

- 304 stainless steel coupling
- S17400 stainless steel coupling pin
- 18-8 stainless steel lock nut
- instructions.

Valve Series <sup>①</sup>	Actuator Model	Coupling Kit Ordering Number
41G, 42G	31 (90°)	304-5K-41G-131
41GX, 42GX	51 (180°)	304-5K-41G-131
43G	31 (90°)	304-5K-43G-131
	33 (90°)	304-5K-43G-133
43GX	51 (180°)	304-5K-43G-131
	53 (180°)	304-5K-43G-133

<sup>①</sup> X designates switching (3-way) valve; Y designates crossover (4-way) valve.