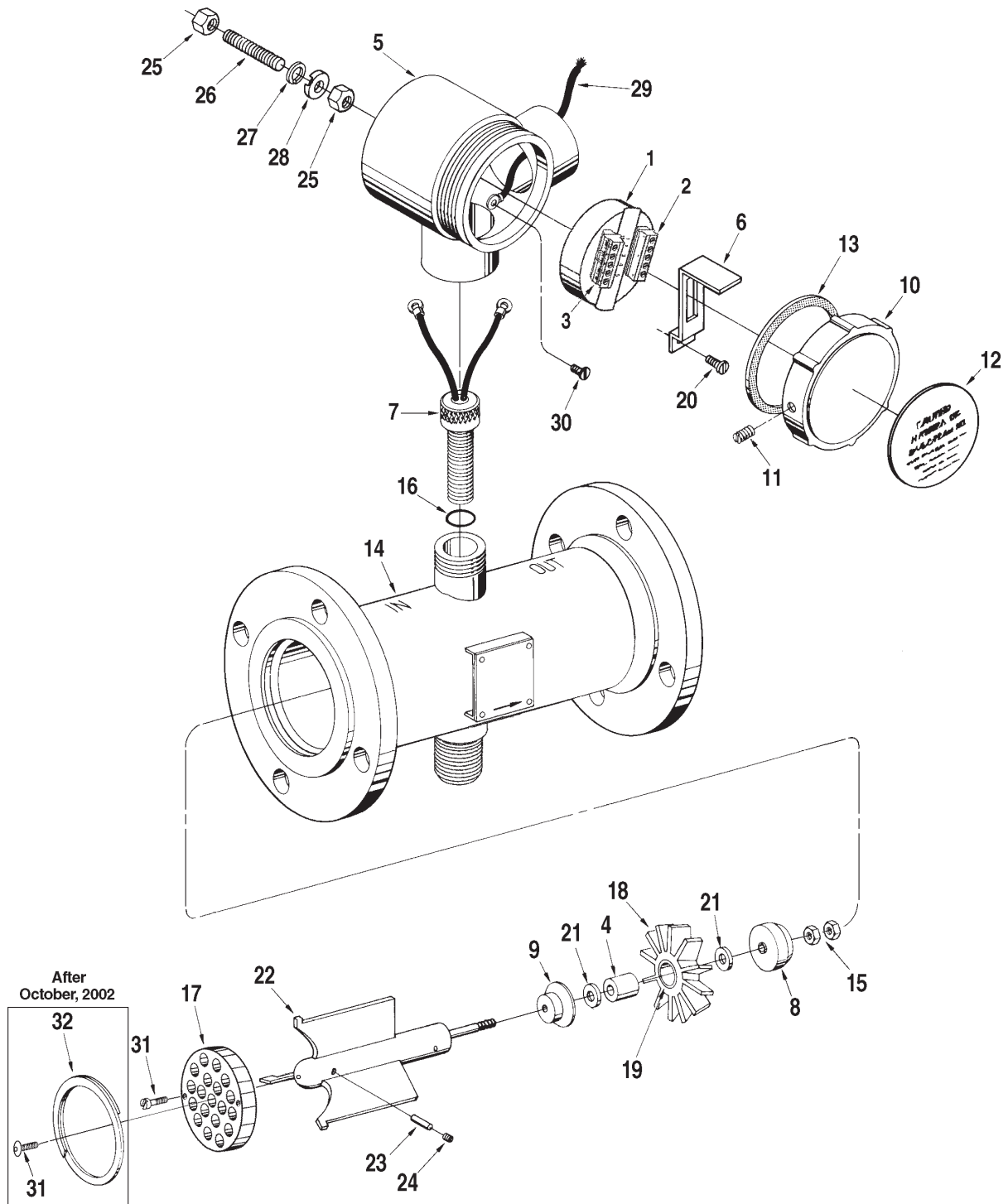


# Meter, Turbine, 3 Inch, Guardsman™ LSJ-H, Model K2GD and LSJ-V Model K2SD Series

Bulletin PO02011 Issue/Rev. 0.0 (09/13)



Item	Description	Qty.	Part Number
1	+ Preamplifier:		
	PA-6, 12 to 24 Vdc.....	#	230663-101
2	Connector, (1-5) .....	#	645030-452
3	Connector, (6-10) .....	#	645030-453
4	+ Bearing, Journal:		
	Horizontal.....	1	540305-208
	Vertical .....	1	540305-218
5	Box, Conduit.....	#	543256-200
6	Clip, Retaining .....	#	543192-203
7	+ Coil, Pickup:		
	-100°F to 225°F .....	#	644327-401
	-100°F to 400°F (High Temperature Version) .....	#	641512-401
	Mating Connector with Leads (High Temp. Version).....	#	540244-101
8	Cone, Downstream:		
	Horizontal.....	1	543340-210
	Vertical .....	1	544783-201
9	Cone, Upstream:		
	Horizontal.....	1	543339-201
	Vertical .....	1	544782-201
10	Cover, Conduit Box::		
	UL/CSA Approvals .....	#	543196-100
	ATEX – Manufactured in the U.S.A.....	#	544057-101
	ATEX – Manufactured in Germany .....	#	544057-102
11	@2 Screw, Set, #6-32 x 1/4".....	#	643243-403
12	Label:		
	UL/CSA Approvals .....	1	543195-200
	ATEX – Manufactured in the U.S.A. ....	1	544056-201
	ATEX – Manufactured in Germany .....	1	544056-202
13	Gasket, Cover .....	#	013403-200
14	Housing .....	1	See Note 1
15	Nut, #10-32.....	2	640704-001
16	@3 O-Ring, (Carbon Steel Housings Only) .....	#	641069-474
17	+ Plate, Compact Flow Conditioner:		
	Prior to October, 2002.....	1	544340-211
	After October, 2002.....	1	544340-212
18	+ Rotor Assembly, 430 Stainless Steel:		
	Horizontal.....	1	540292-190
	Vertical .....	1	544780-190
19	Rotor Bearing.....	1	540296-201
20	Screw, #10-32 x 1/4" .....	#	009544-401
21	+ Washer, Thrust:		
	Horizontal.....	2	543643-202
	Vertical .....	2	543643-204
22	Stator Assembly .....	1	543856-103
23	Pin, Dowel, 1/8 x 3/8" .....	1	644541-401
24	@2 Screw, #10-32 x 3/8", Set .....	1	645416-401
25	Nut, Hex, 1/4"-20 (ATEX version only) .....	#	060060-001
26	Stud (ATEX version only) .....	#	550773-001
27	Washer, 1/4" Lock (ATEX version only).....	#	006621-001
28	Washer, Inverted (ATEX version only).....	#	550770-001
29	Wire, Ground, (UL/CSA version only).....	#	544058-101
30	Screw, #10-32 x 1/4" (UL/CSA version only).....	#	006110-002
31	Screw:		
	Prior to October, 2002 #10-32 x 1/2" .....	2	645791-401
	After October, 2002 #10-32 x 1/2" .....	1	646630-401
32	Ring, Retaining (After October, 2002) .....	1	644420-401

Item	Description	Qty.	Part Number
<b>Internal Parts Kit</b>			
	Unidirectional – Horizontal .....		544803-104
	Unidirectional – Vertical .....		544803-101

+ Recommended stock.

# Order quantity required.

@1 Note 1: Consult Factory, (814) 898-5000, providing model and serial numbers and advise:

- |                         |                                 |
|-------------------------|---------------------------------|
| 1. Uni or Bidirectional | 4. Flange Class (Pressure)      |
| 2. Housing material     | 5. Number of Pickup Coil Bosses |
| 3. Flange Material      | 6. Type of Flange               |

@2 Note 2: Apply a small amount of Loctite (Part No. 643917-401) to set screw before installing.

@3 Note 3: O-Ring not required with Stainless Steel housing.

P0582.04X has been made obsolete and replaced by publication number PO02011 (September 2013).

The specifications contained herein are subject to change without notice and any user of said specifications should verify from the manufacturer that the specifications are currently in effect. Otherwise, the manufacturer assumes no responsibility for the use of specifications which may have been changed and are no longer in effect.

**TechnipFMC.com**

© TechnipFMC plc. 2020 All rights reserved. PO02011 Issue/Rev. 0.0 (09/13)

TechnipFMC  
13460 Lockwood Road  
Building S01  
Houston, Texas 77044 USA  
P:+1 281.591.4000

USA Operation  
1602 Wagner Avenue  
Erie, Pennsylvania 16510 USA  
P:+1 814.898.5000

Germany Operation  
Smith Meter GmbH  
Regentstrasse 1  
25474 Ellerbek, Germany  
P:+49 4101 304.0