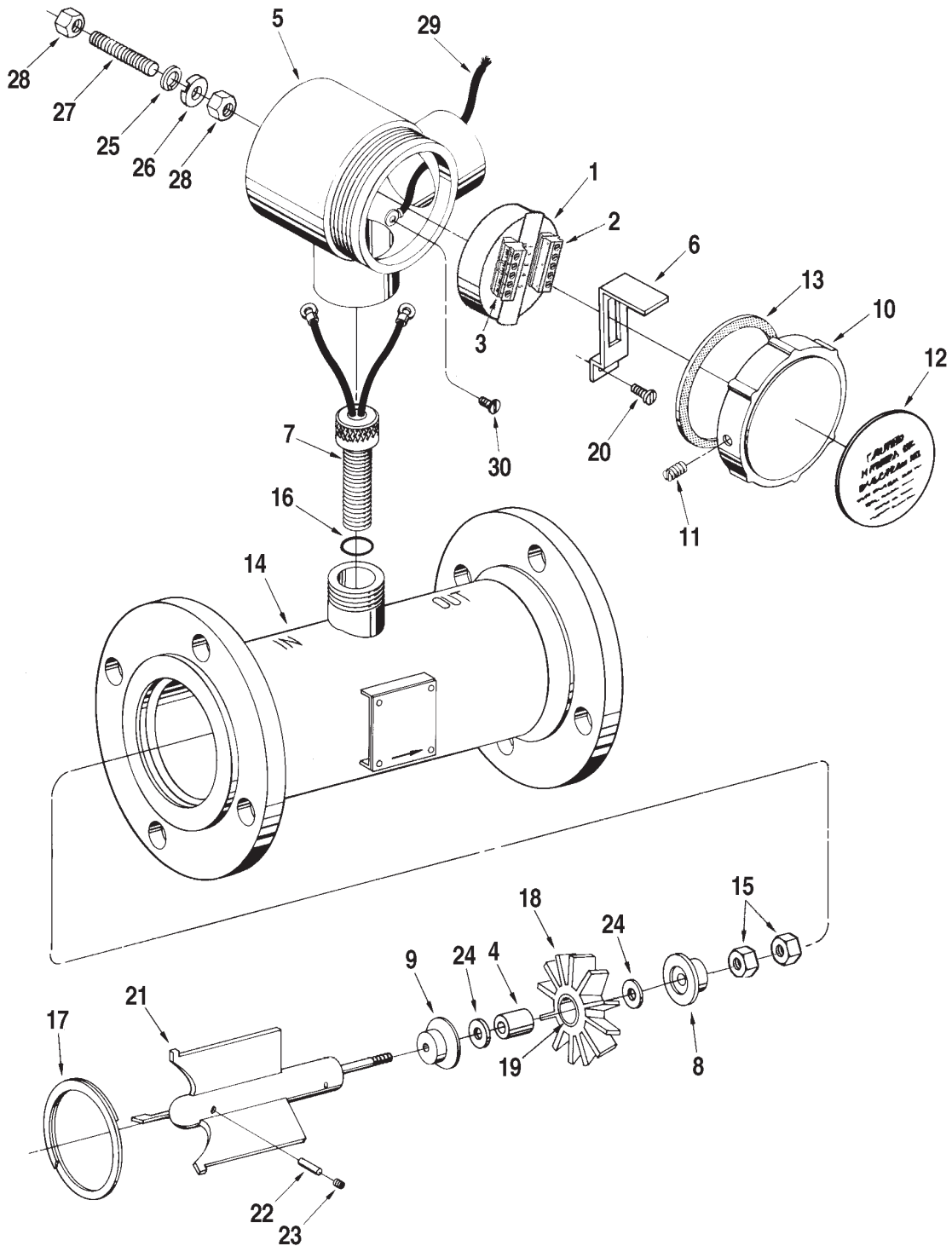


Meter, Turbine, 4 Inch, Guardsman™ G Series, Model K2BE

Bulletin PO02005 Issue/Rev. 0.0 (08/13)



Item	Description	Qty.	Part Number
1	+ Preamplifier:		
	PA-6, 12 to 24 Vdc	#	230663-101
2	Connector, (1-5)	#	645030-452
3	Connector, (6-10)	#	645030-453
4	+ Bearing, Platform:		
	Smooth	1	540305-208
5	Box, Conduit	#	543256-200
6	Clip, Retaining	#	543192-203
7	+ Coil, Pickup:		
	-100°F to +225°F	#	644327-401
	-100°F to +400°F (High Temperature Version)	#	641512-401
	Mating Connector with Leads (High Temp. Version)	#	540244-101
8	@1@2 Cone, Downstream:		
	Unidirectional and Bidirectional	1	544156-210
9	@1@2 Cone, Upstream, 316 Stainless Steel	1	544155-201
10	Cover, Conduit Box:		
	UL/CSA	#	543196-100
	ATEX – Manufactured in U.S.A.	#	544057-101
	ATEX – Manufactured in Germany	#	544057-102
11	Screw, Set, #6-32 x 1/4"	#	643243-403
12	Label:		
	UL/CSA	#	543195-200
	ATEX – Manufactured in U.S.A.	#	544056-201
	ATEX – Manufactured in Germany	#	544056-202
13	Gasket, Conduit Box	#	013403-200
14	Housing	1	See Note 3
15	Nut	2	640704-001
16	@7 O-Ring	#	641069-474
17	+ Ring, Retaining	1	644420-402
18	@1+ Rotor Assembly:		
	Standard:		
	Current Design	1	544163-190
	Previous Design	1	544163-192
19	Bearing, Rotor	1	540296-201
20	Screw, #10-32 x 1/4"	#	009544-401
21	@4 Stator Assembly, 316 Stainless Steel	1	544167-101
22	Pin, Dowel, 1/8 x 3/8"	1	644541-401
23	@5 Screw, Set, #10-32 x 1/4" Socket	1	645416-401
24	Washer, Thrust:		
	+ Unidirectional and Bidirectional	2	543643-202
25	Washer, Lock, 1/4" (ATEX version only)	#	006621-001
26	Washer, Inverted (ATEX version only)	#	550770-001
27	Stud (ATEX version only)	#	550773-001
28	Nut, Hex, 1/4"-20, UNC-2B (ATEX version only)	#	060060-001
29	Wire, Ground, (UL/CSA version only)	#	544058-101
30	Screw, #10-32 x 1/4", (UL/CSA version only)	#	006110-002

Internal Parts Kits

Unidirectional, Standard Rotor, Smooth Bearing	544168-101
Bidirectional, Standard Rotor, Smooth Bearing	544168-102

- + Recommended stock.
- # Order quantity required.
- R Indicates change since last revision.

Item	Description	Qty.	Part Number
@1	Note 1: Due to a change in the design of this meter in December of 1987, it is necessary to determine whether your meter is of current or previous design. Standard serial numbers up to and including 5216, and special serial numbers up to and including 200822 are considered previous design. Numbers higher than those are current design. These numbers can be found on the nameplate of the meter and on the stator.		
@2	Note 2: Should either an upstream or downstream cone require replacement on a previous design meter, it will be necessary to replace both at the same time. Cones on current design meters can be replaced individually.		
@3	Note 3: Consult Factory, 814 898-5000, provide model no. and serial no. and advise:		
	1. Uni or Bidirectional		4. Flange Class (Pressure)
	2. Housing Material		5. Number of Pickup Coil Bosses
	3. Flange Material		6. Type of Flange
@4	Note 4: If problems are encountered during installation of stator, please contact the Factory, (814) 898-5000.		
@5	Note 5: Apply a small amount of Loctite (Part No. 643917-401) to set screw before installing.		
@7	Note 7: O-Ring not required with Stainless Steel Housing.		

P0577.11X has been made obsolete and replaced by publication number PO02005 (August 2013).

The specifications contained herein are subject to change without notice and any user of said specifications should verify from the manufacturer that the specifications are currently in effect. Otherwise, the manufacturer assumes no responsibility for the use of specifications which may have been changed and are no longer in effect.

USA Operation
1602 Wagner Avenue
Erie, Pennsylvania 16510 USA
P:+1 814.898.5000

TechnipFMC
13460 Lockwood Road
Building S01
Houston, Texas 77044 USA
P:+1 281.591.4000

Germany Operation
Smith Meter GmbH
Regentstrasse 1
25474 Ellerbek, Germany
P:+49 4101 304.0

TechnipFMC.com

© TechnipFMC plc. 2020 All rights reserved. PO02005 Issue/Rev. 0.0 (08/13)