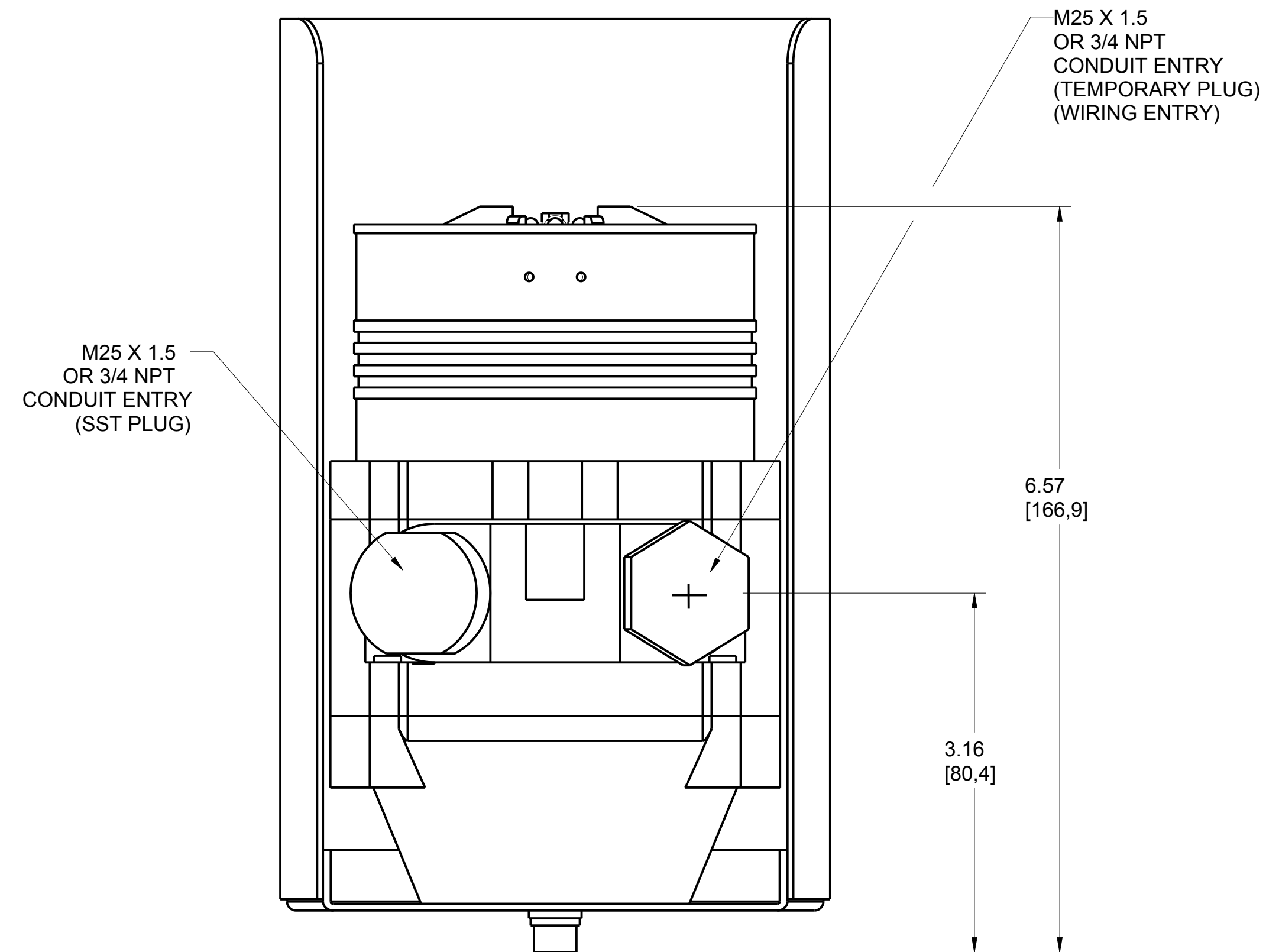
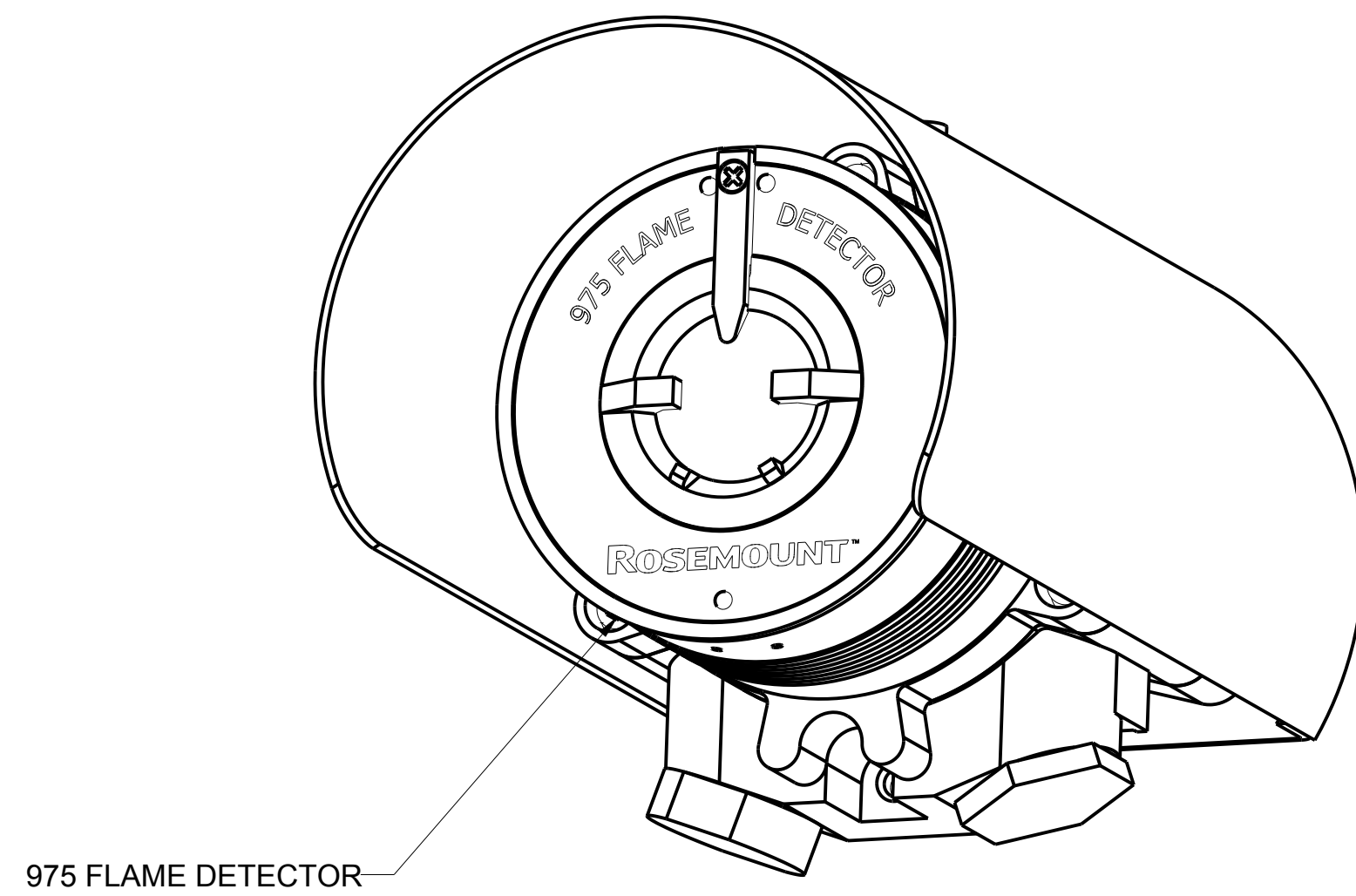
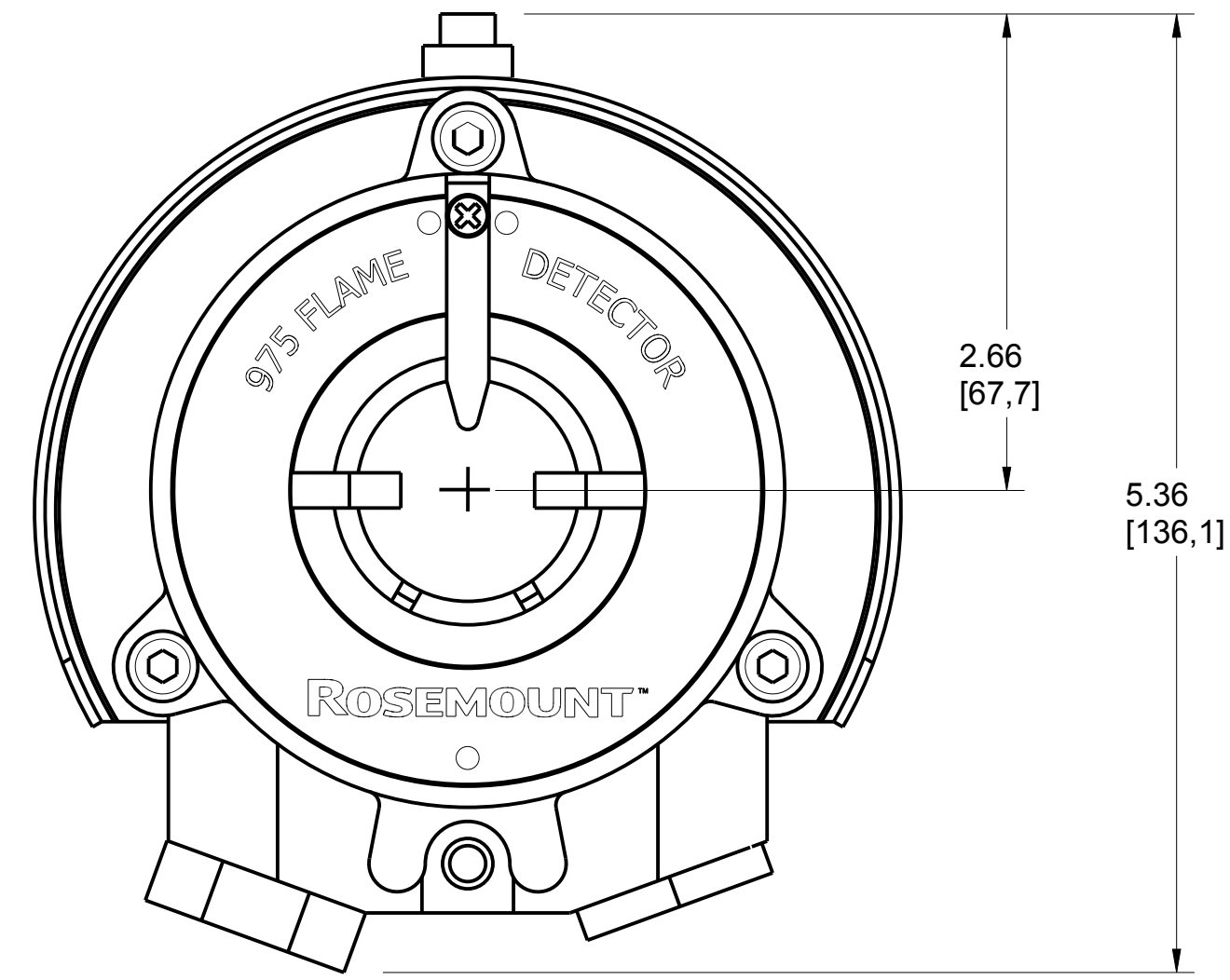
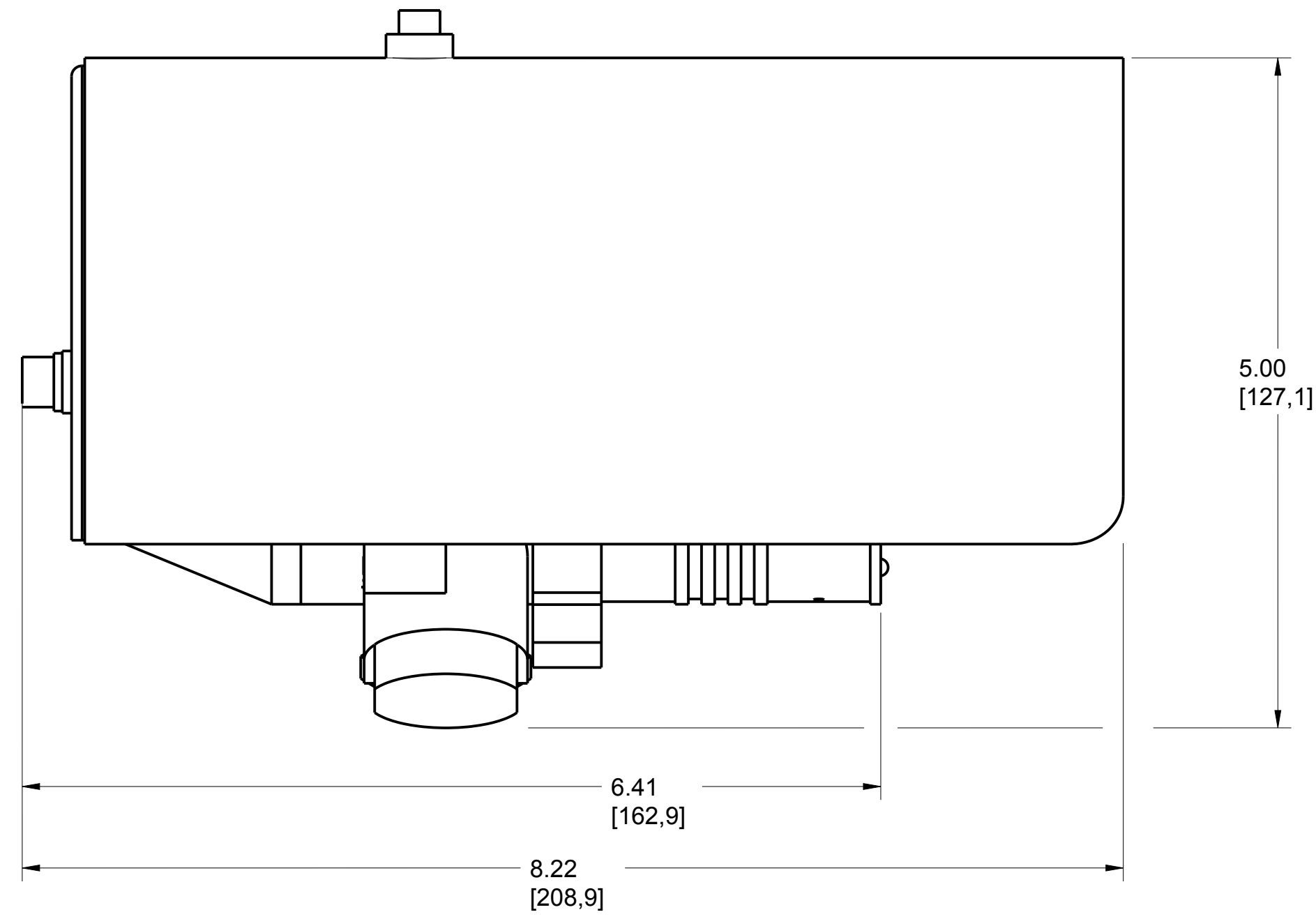


MODEL 975 FLAME DETECTOR WITH WEATHER COVER

REVISION TABLE			
REVISION	ECO NO.	APP'D	DATE
AA	RTCXXXXXX	M. NYLAND	11/8/16
DESCRIPTION			
NEW RELEASE			



©2015 ROSEMOUNT INC.
ROSEMOUNT INC. CERTIFIES
THIS DRAWING IS CORRECT
IN ACCORDANCE WITH
ROSEMOUNT ENGINEERING
SPECIFICATIONS.
UNIT NOTES IN INCHES (mm).

REFERENCE ROSEMOUNT
PRODUCT SPECIFICATIONS
OR
CLICK HERE

3RD ANGLE

EMERSON

ROSEMOUNT 975 WITH WEATHER COVER

DR. J. ARMSTRONG 20/31/16 DRAWING NO. 00975-7004
APP'D M. NYLAND 10/31/16

CAD MAINTAINED, (PROE) SHEET 1 OF 1