

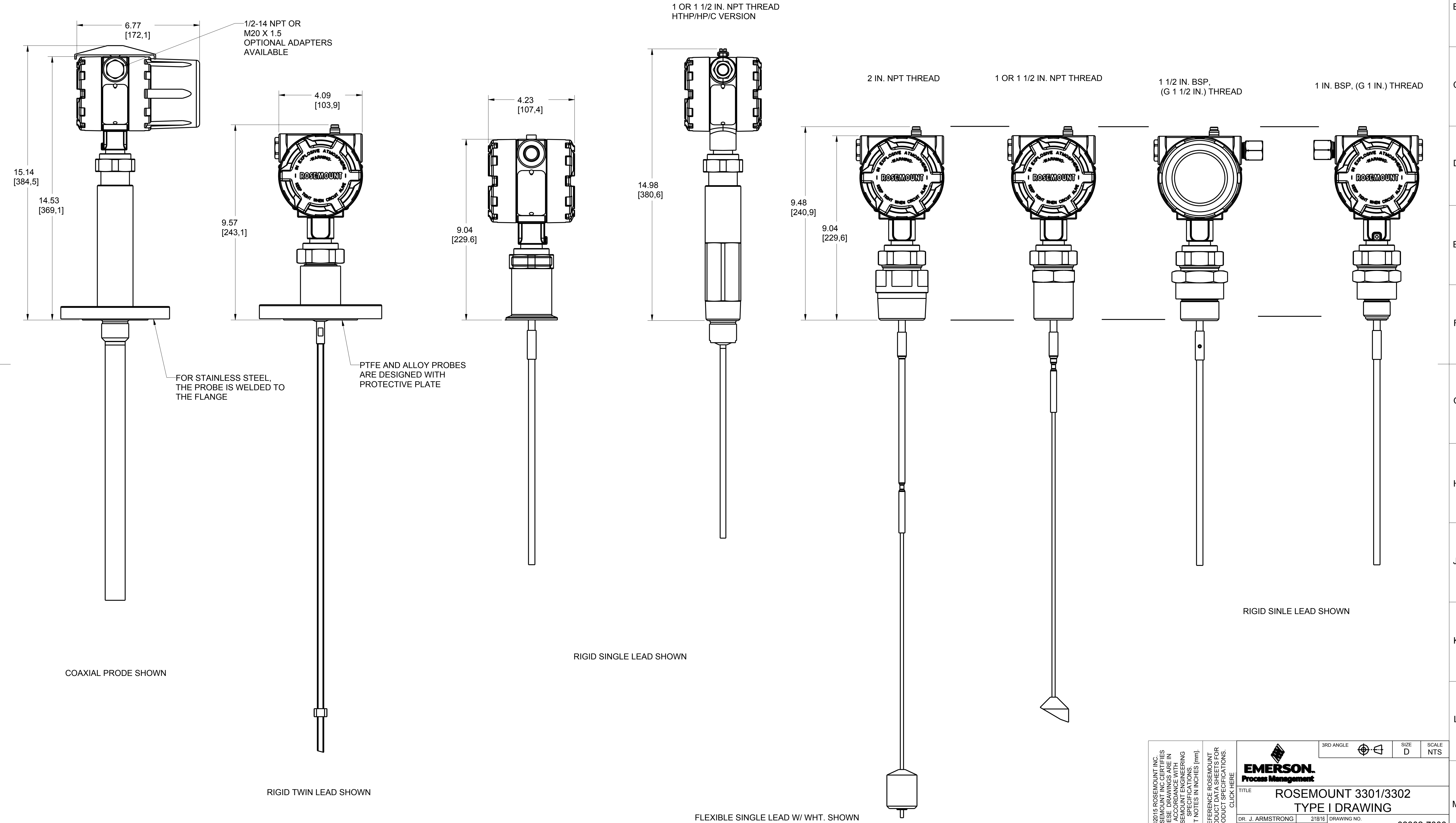
ROSEMOUNT 3301/3302 LEVEL RADAR AND LIQUID LEVEL TRANSMITTER PROCESS CONNECTION TYPES

REVISION TABLE			
REVISION	ECO NO.	APP'D	DATE
AA	RTC1065398	N. ANDERSTROM	4/7/16
DESCRIPTION			
NEW RELEASE			

FLANGE STYLE PROCESS CONNECTION

TRI-CLAMP PROCESS CONNECTION

THREAD TYPE PROCESS CONNECTION



©2015 ROSEMOUNT INC.
ROSEMOUNT INC. CERTIFIES
THIS DRAWING IS IN
ACCORDANCE WITH
ROSEMOUNT ENGINEERING
SPECIFICATIONS.
UNIT NOTES IN INCHES (mm).
REFERENCE ROSEMOUNT
PRODUCT SPECIFICATIONS.
CLICK HERE

3RD ANGLE

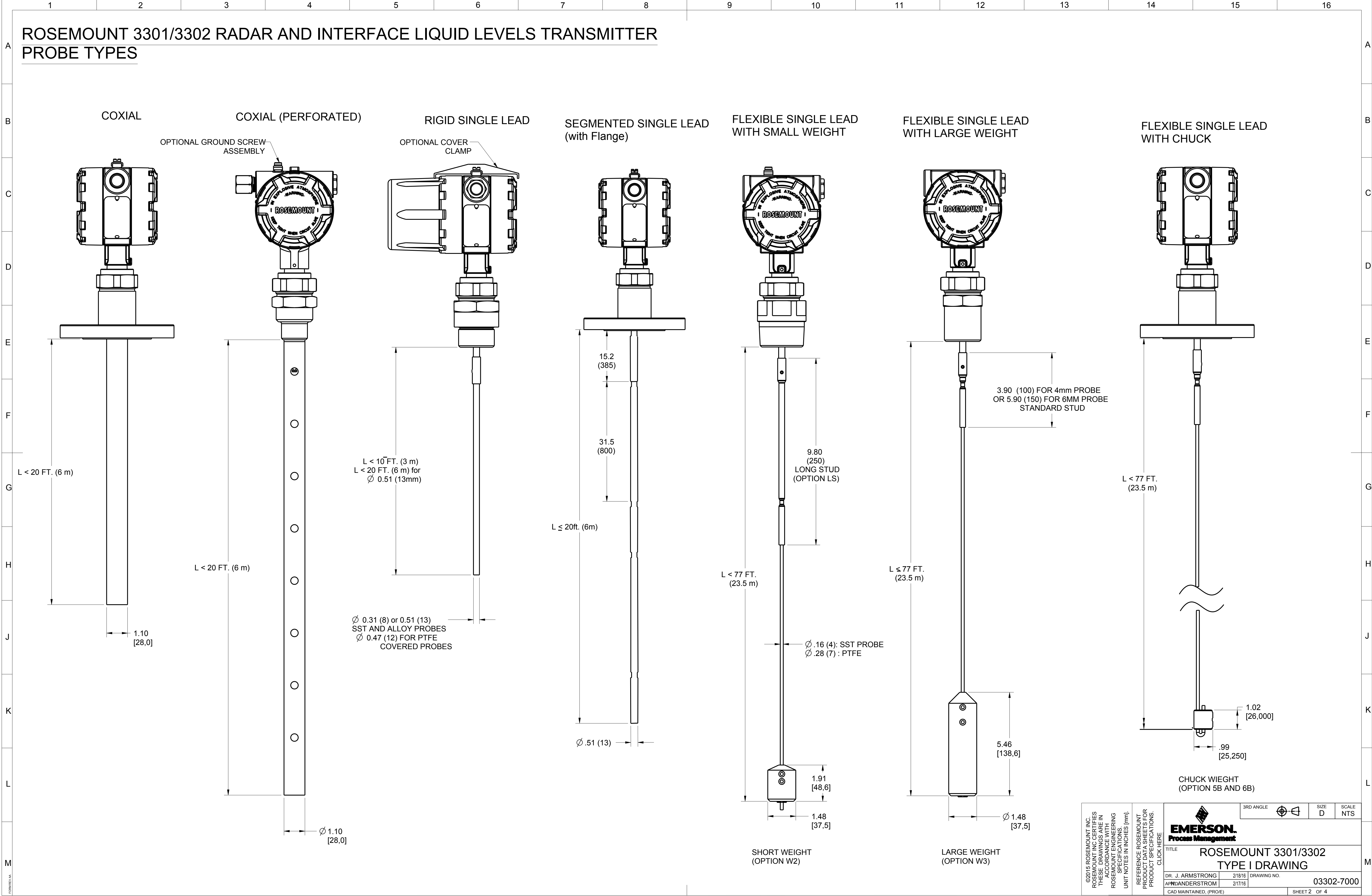
EMERSON
Process Management

TITLE
**ROSEMOUNT 3301/3302
TYPE I DRAWING**

DR. J. ARMSTRONG	2/18/16	DRAWING NO.	03302-7000
APP'D ANDERSTROM	2/17/16		

CAD MAINTAINED, (PROE) SHEET 1 OF 4

ROSEMOUNT 3301/3302 RADAR AND INTERFACE LIQUID LEVELS TRANSMITTER PROBE TYPES



©2015 ROSEMOUNT INC.
ROSEMOUNT INC. CERTIFIES
THIS DRAWING IS IN
ACCORDANCE WITH
ROSEMOUNT ENGINEERING
SPECIFICATIONS.
UNIT NOTES IN INCHES (mm).
REFERENCE ROSEMOUNT
PRODUCT SPECIFICATIONS.
CLICK HERE

3RD ANGLE

EMERSON
Process Management

TITLE
ROSEMOUNT 3301/3302
TYPE I DRAWING

DR. J. ARMSTRONG	2/18/16	DRAWING NO.	03302-7000
APNDANDERSTROM	2/17/16		

CAD MAINTAINED, (PROE) SHEET 2 OF 4

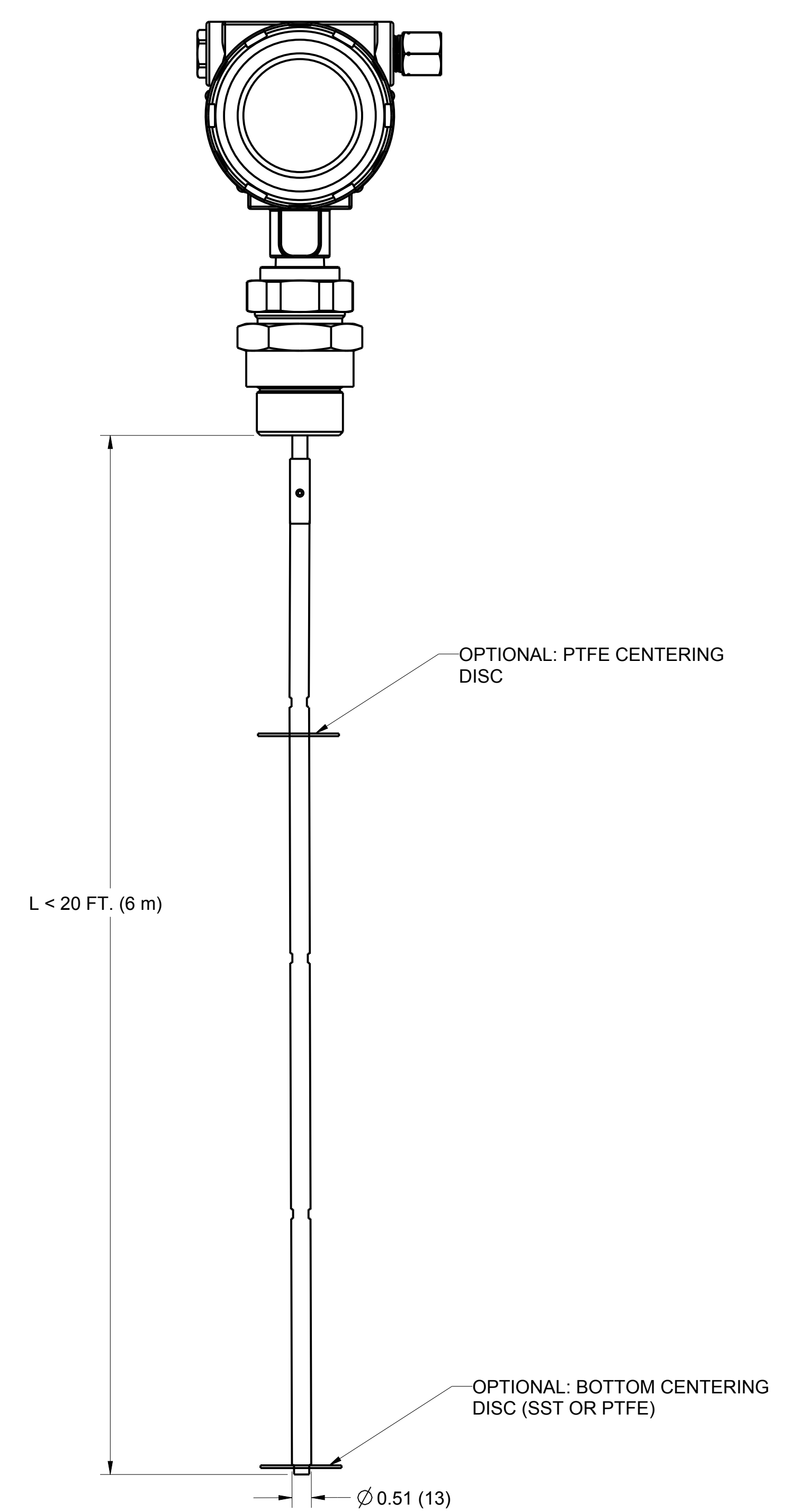
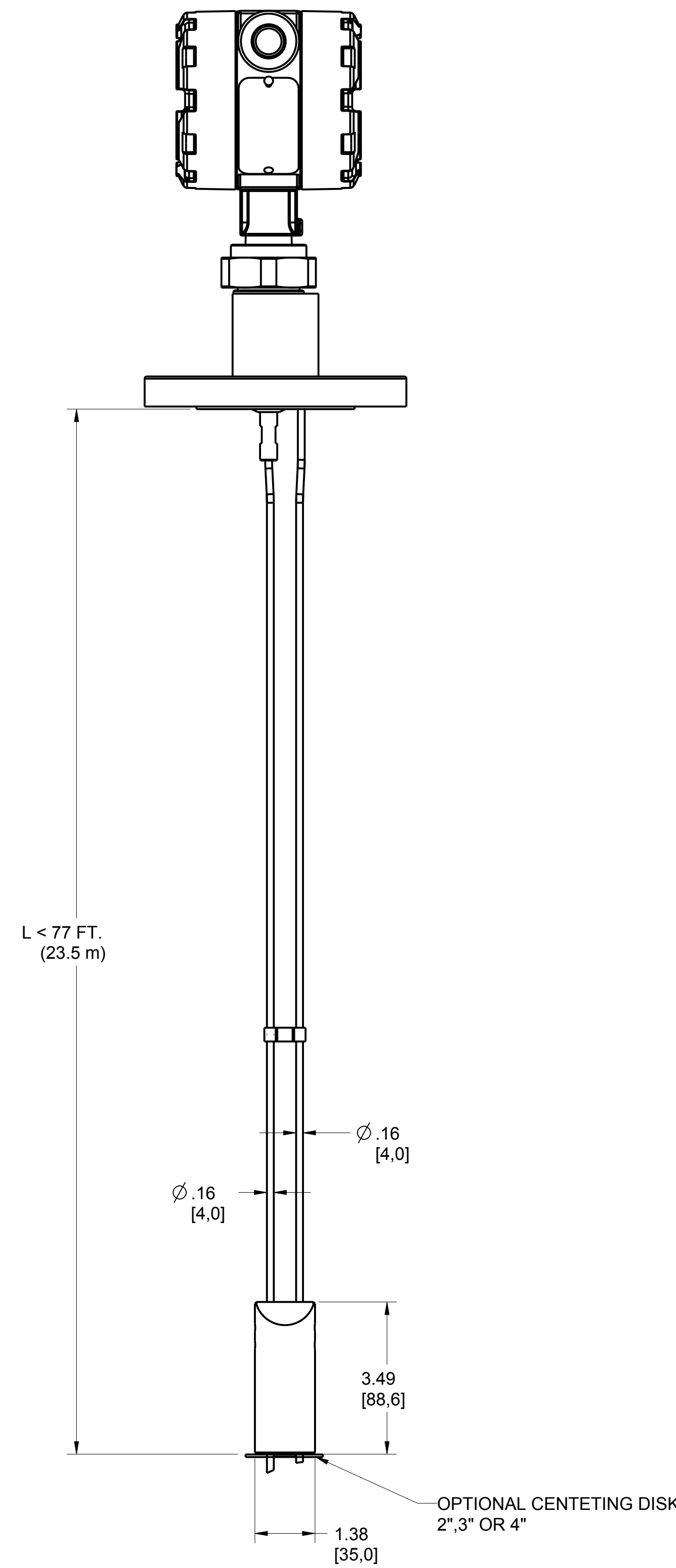
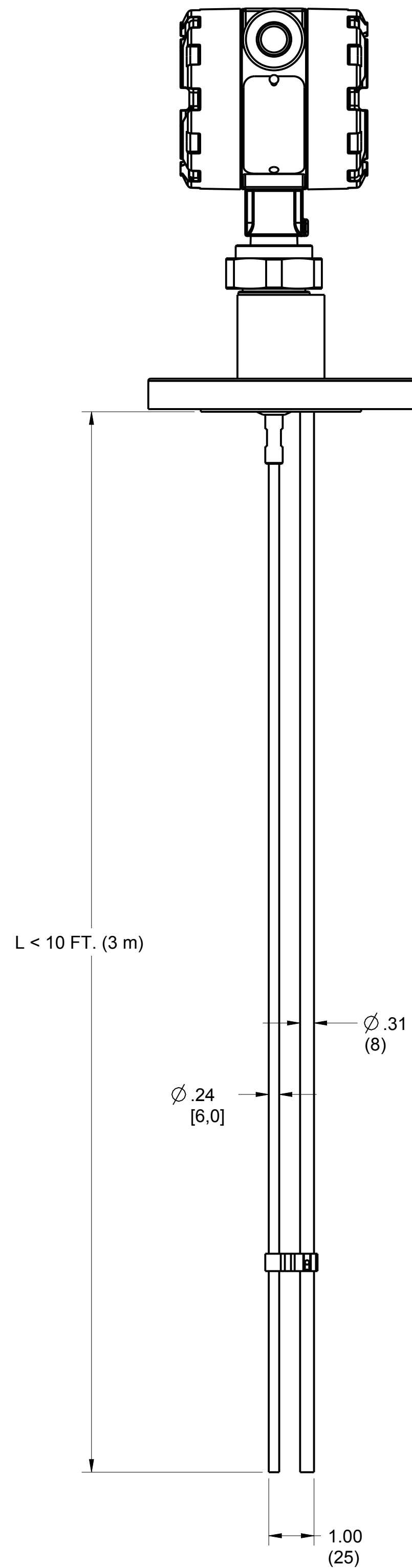
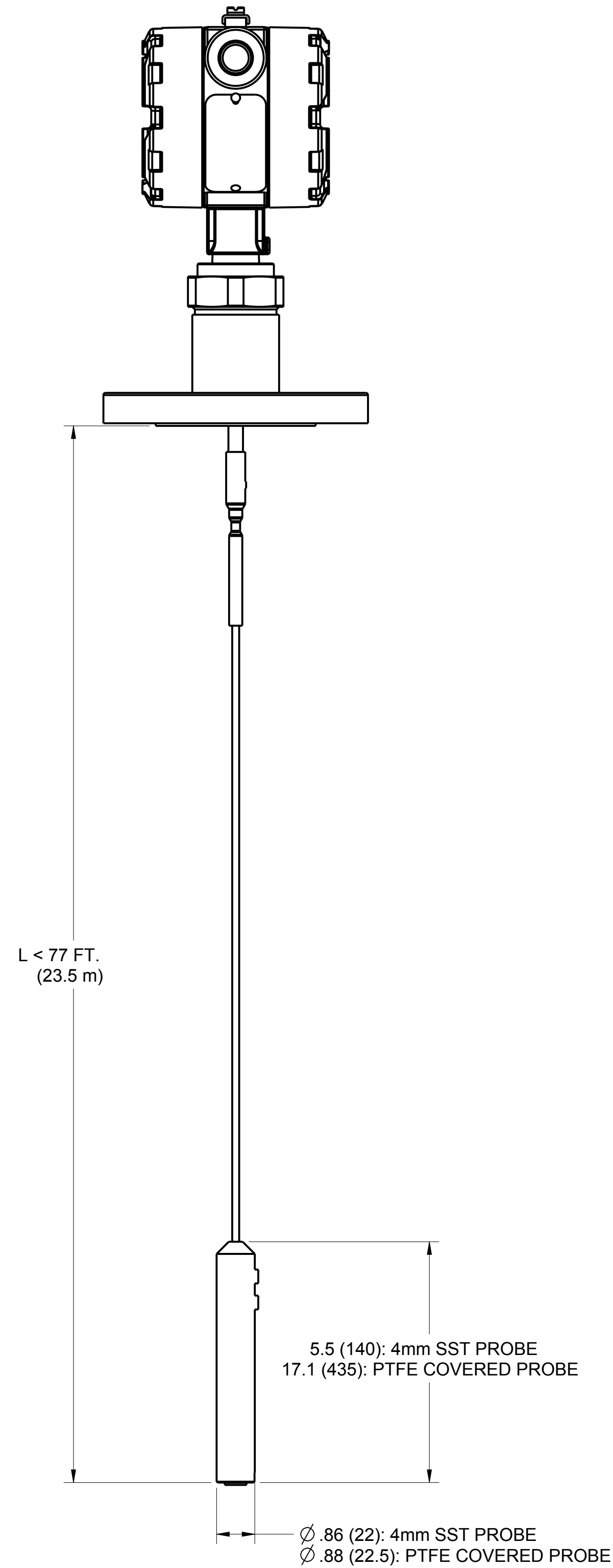
ROSEMOUNT 3301/3302 RADAR AND INTERFACE LIQUID LEVELS TRANSMITTER PROBE TYPES (CONTINUED)

FLEXIBLE SINGLE LEAD WITH WEIGHT

RIGID TWIN LEAD

FLEXIBLE TWIN LEAD WITH WEIGHT

SEGMENTED SINGLE LEAD (with thread)



©2015 ROSEMOUNT INC.
ROSEMOUNT INC. CERTIFIES
THIS DRAWING IS MADE
IN ACCORDANCE WITH
ROSEMOUNT ENGINEERING
SPECIFICATIONS.
UNIT NOTES IN INCHES (mm).
REFERENCE ROSEMOUNT
PRODUCT SPECIFICATIONS.
CLICK HERE

3RD ANGLE

EMERSON
Process Management

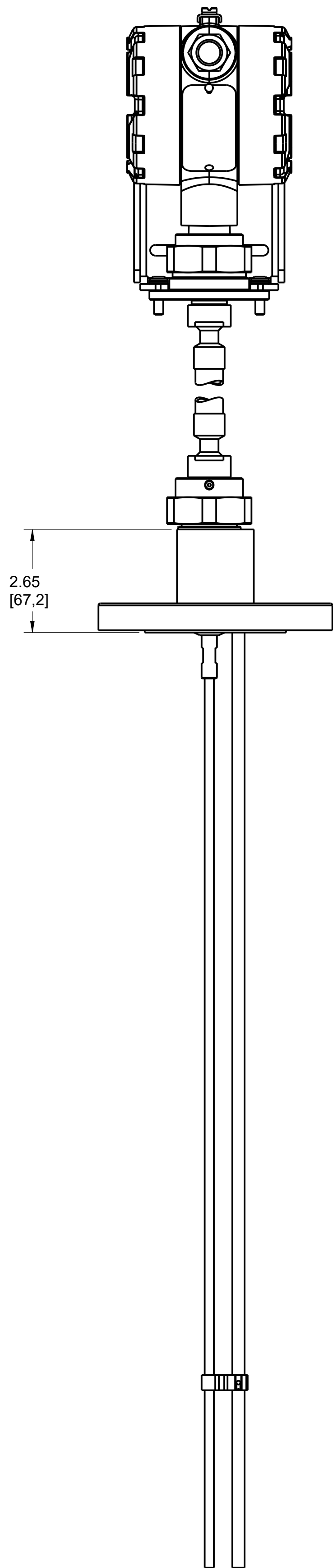
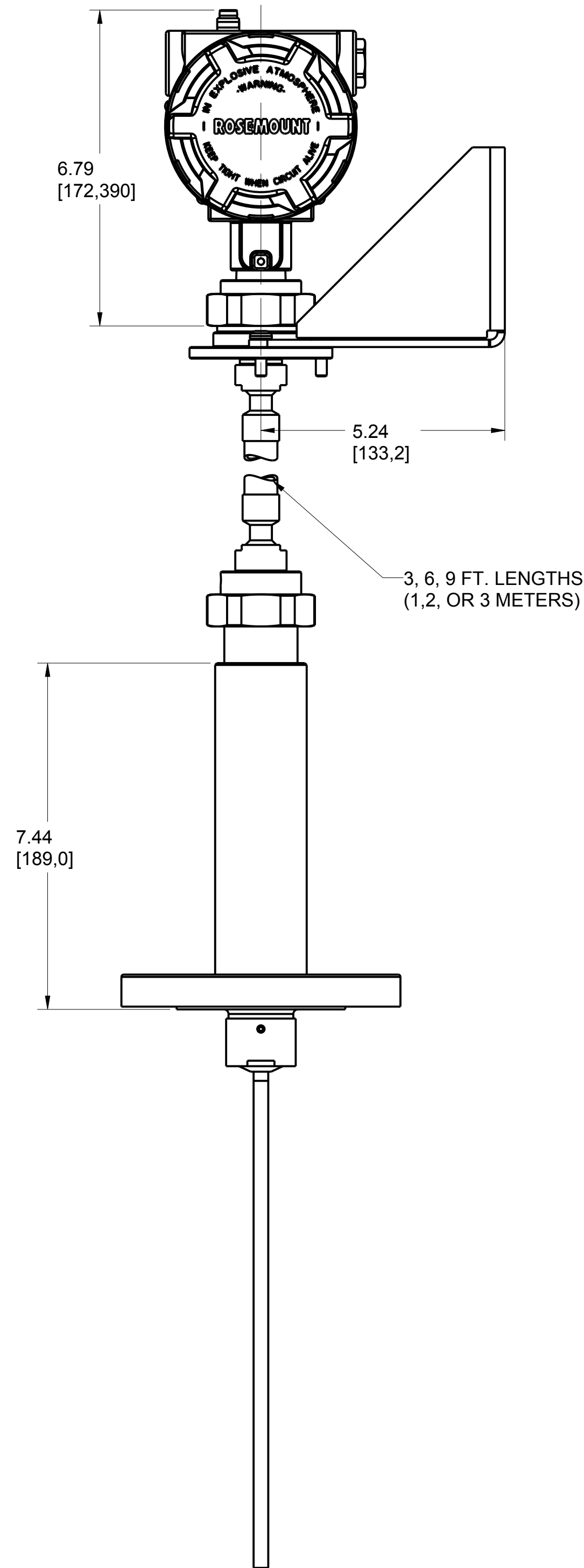
TITLE
ROSEMOUNT 3301/3302
TYPE I DRAWING

DR. J. ARMSTRONG 2/18/16 DRAWING NO.
APNDANDERSTROM 2/17/16 03302-7000

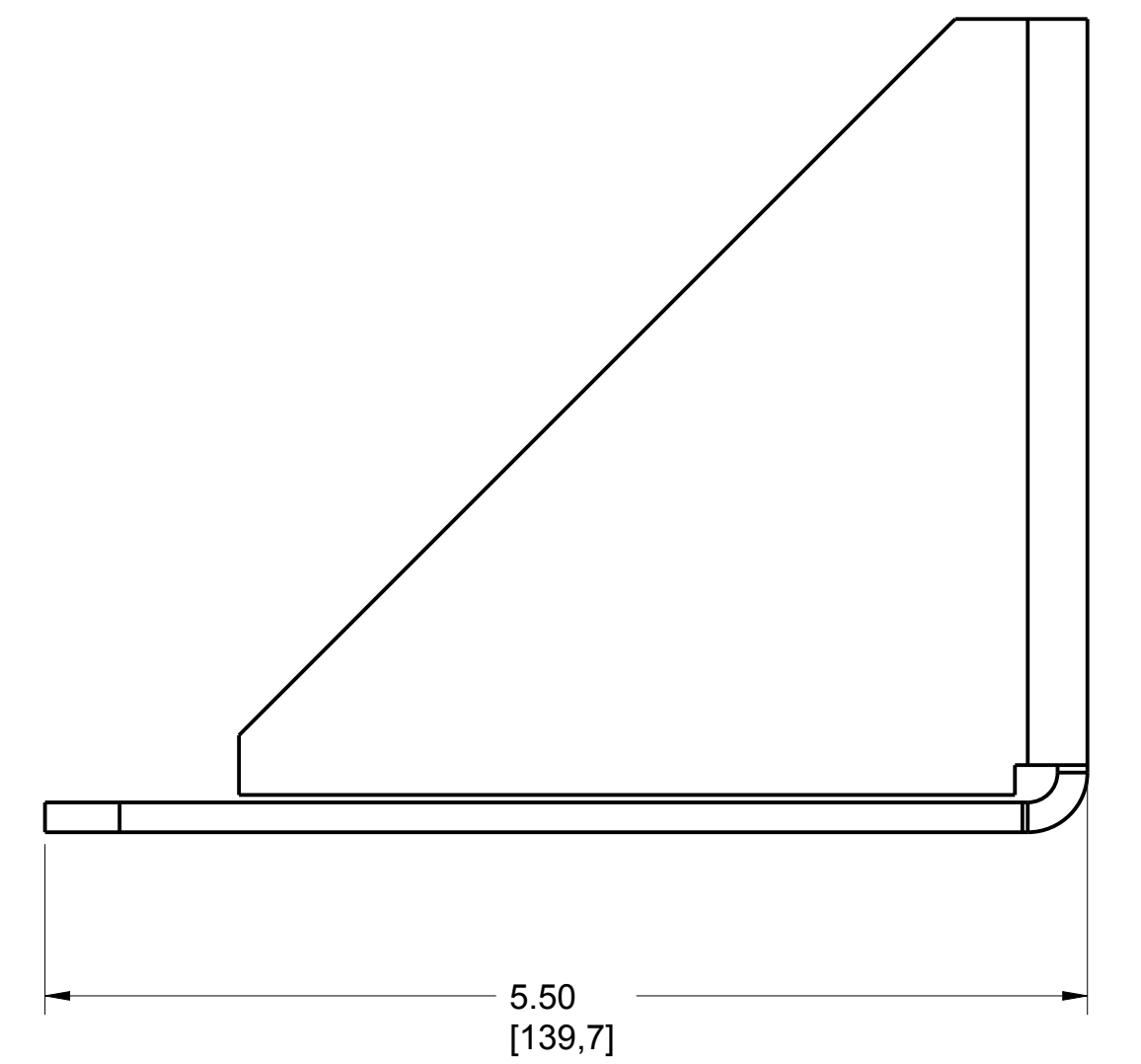
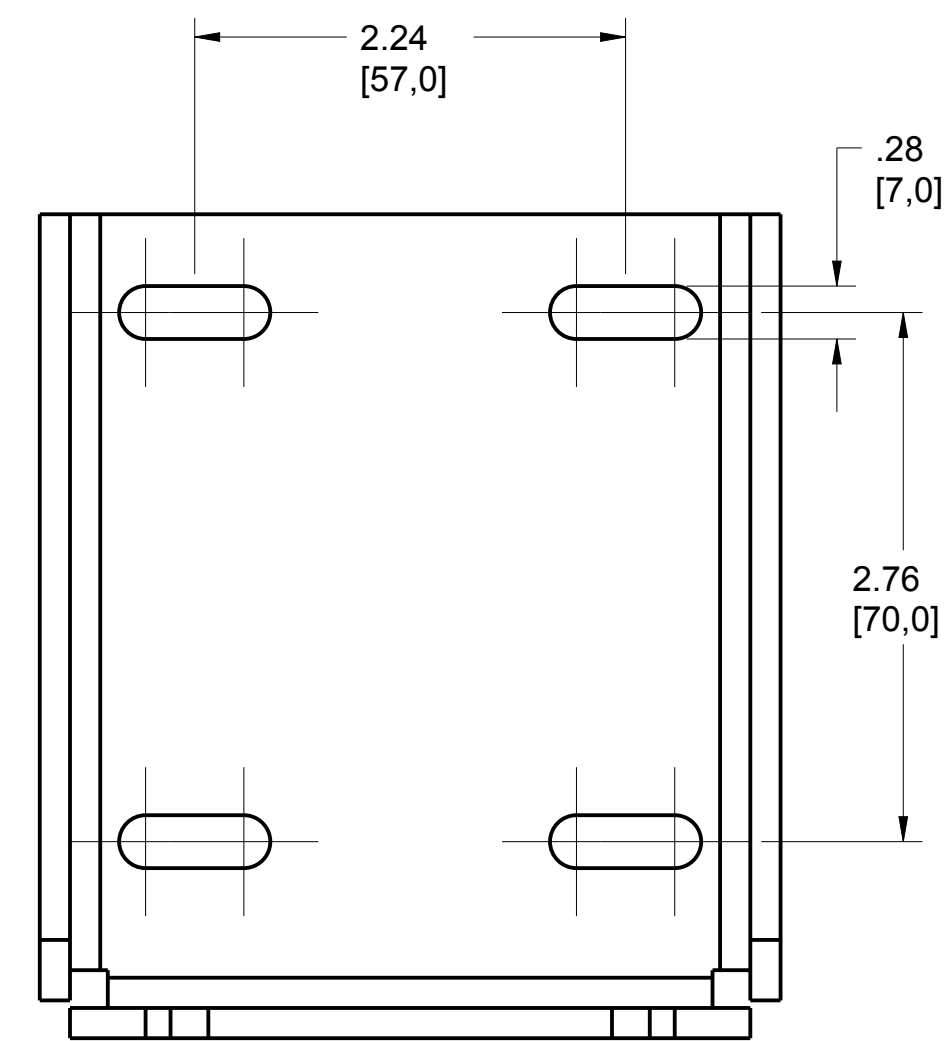
CAD MAINTAINED, (PROE) SHEET 3 OF 4

ROSEMOUNT 3301/3302 RADAR AND INTERFACE LIQUID LEVELS TRANSMITTER WITH REMOTE AND STANDARD MOUNTING BRACKETS

REMOTE HOUSING
(SHOWN WITH FLANGE PROCESS CONNECTION)
(OPTION B1,B2,B3)



Remote mounting bracket can be used either for the housing (as shown in these pictures) or on the process seal (if threaded adapter is used instead of the flanged design)



©2015 ROSEMOUNT INC. ROSEMOUNT INC. CERTIFIES THIS DRAWING TO BE IN ACCORDANCE WITH ROSEMOUNT ENGINEERING SPECIFICATIONS. UNIT NOTES IN INCHES (mm). REFERENCE ROSEMOUNT PRODUCT SPECIFICATIONS. CLICK HERE	3RD ANGLE	SIZE D	SCALE NTS
	EMERSON Process Management		
	TITLE ROSEMOUNT 3301/3302 TYPE I DRAWING		
	DR. J. ARMSTRONG APNDANDERSTROM	2/18/16 2/17/16	DRAWING NO. 03302-7000