

numatics®

Air Preparation Products

FRLs and Accessories



www.numatics.com

FlexiBlok FRL Series*

Introduction to FlexiBlok	3-10
Particulate Filters	11
Coalescing Filters	12
Regulators	13-16
Particulate Filter-Regulators	17
Coalescing Filter-Regulators	18
Lubricators	19
Solenoid Soft Start Quick Exhaust Valves	20
Solenoid Quick Exhaust Valves	21
Int/Ext Pilot Operated Quick Exhaust Valves	22-23
Shut Off and Lock Out Valves	24
Diverter Blocks and End Plates	25
Bowl Drain Options	26
FlexiBlok FRL Assemblies (StockBlok and ModuBlok)	27-31
Replacement Parts and Kits	32

*Port sizes: 14 Series (1/8 & 1/4), 22 Series (1/4, 3/8, & 1/2) 32 Series (1/2 & 3/4), 42 Series (3/4 & 1)

The **FLEXIBLOK®** Advantage



While most competitors require numerous additional parts to assemble FRL components, the Numatics **FLEXIBLOK®** FRL products are easily assembled with 2 button head screws and an o-ring seal. This modular type design reduces the potential for leakage during assembly and lowers the overall cost since brackets or extra tools are not required.

The **FLEXIBLOK®** line is designed to be simple and economical...

- Service can be performed while the component is installed in the air line.
- 22, 32 and 42 Series bowls feature a unique locking tab bowl. Just pull the locking tab down, turn the bowl 45°, and pull down to remove.
- The unique design of the 22, 32 and 42 series bowls allows the o-ring to be held captive on the bowl, making it easy to check and replace if necessary.
- Differential pressure indicators are standard on all 22, 32 and 42 Series coalescers.
- Particulate filters feature a standard 5 micron element (optional 40 micron element).
- Coalescing filters feature dual support cores which prevent rupture and collapse.
- CircleVision™ bowls allow the machine operator or manager a clear visual indication of the liquid level in a filter or lubricator bowl from up to 40 feet away.
- Every product is tested and approved for quality assurance.

The FlexiBlok® Advantage

Designed with lightweight but sturdy aluminum castings, the **FLEXIBLOK®** FRL Series offers the most reliable performance and durability of any FRL line. Most components can be modified with readily available options and accessories, such as metal bowls and easy-to-operate drains.

The following is an example of an Flexiblok® FRL assembly and a description of each component. For additional specifications and product selection charts, please refer to pages 9 to 29.

1 Shutoff Valve

Manual shutoff used to relieve downstream pressure for servicing or maintenance. Security hole provided for lockout capabilities. May also be used as a stand-alone unit.

2 Filter

Particulate Filter: 5 micron filtration (shown) used as a primary filter to remove water, dust, and debris from air line (40 micron optional). Water removal efficiency is greater than 90% at rated flow.

Coalescing Filter: used as a secondary filter to remove up to 99.99% of oil and particles. Available with four different type elements - 0.01, .3, and .7 micron filtration and a vapor adsorbing element that utilizes activated carbon to deodorize compressed air. Recommended uses:

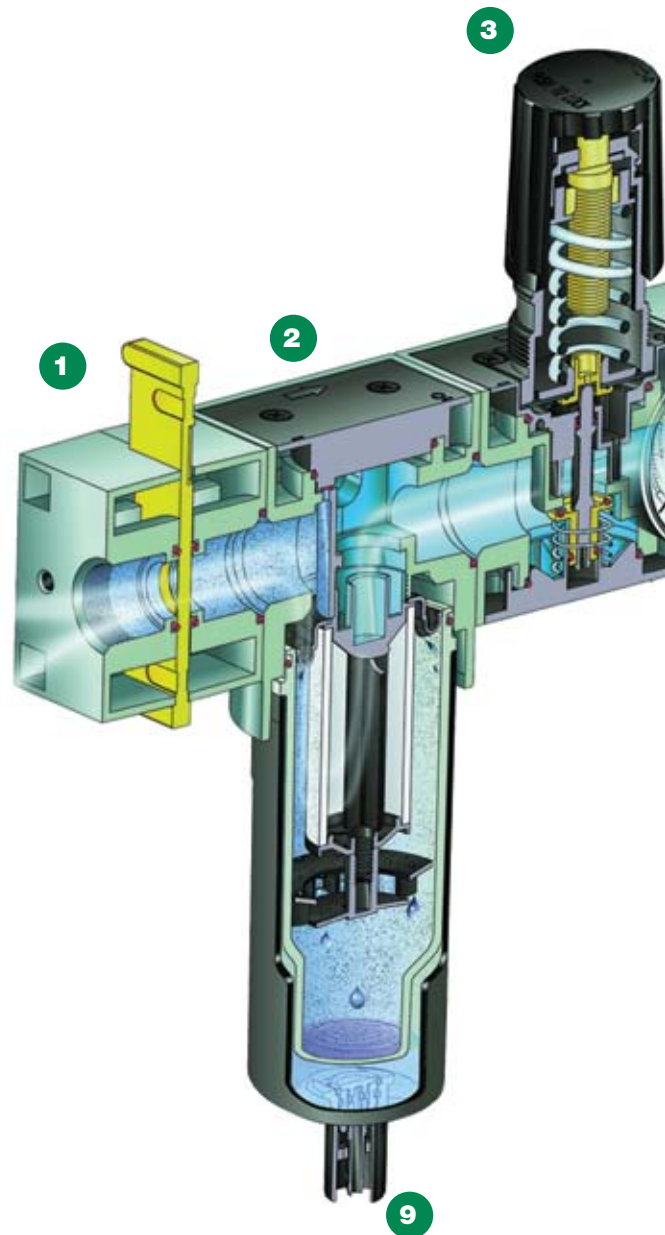
- C grade element**, identified by its blue drain layer, is a coarse filter for large amounts of water, rust, pipe scale, and liquid hydrocarbons. Excellent for environments that have severe contamination. Can be used for lubricated or 'dry' systems. Ideal for mainline filtration of plant air.
- D grade element**, identified by its green drain layer, is a fine filter for cylinder or valves - especially when the circuit is being run without lubrication ('dry'). Excellent filter for desiccant or regenerative style dryers.
- E grade element**, identified by its red drain layer, is an ultra fine filter for oil-free instrumentation air, blow molding, food and drug packaging, electronics applications, and other applications requiring maximum contamination removal.
- F grade element**, identified by its white drain layer, is an adsorbing filter that utilizes activated carbon to capture hydrocarbon vapor and deodorize compressed air. Typically it is used to protect worker environments, food and drug applications, breathing air, and instrumentation for analytical instruments. Life expectancy is approximately 3 months at rated flow.

3 Regulator

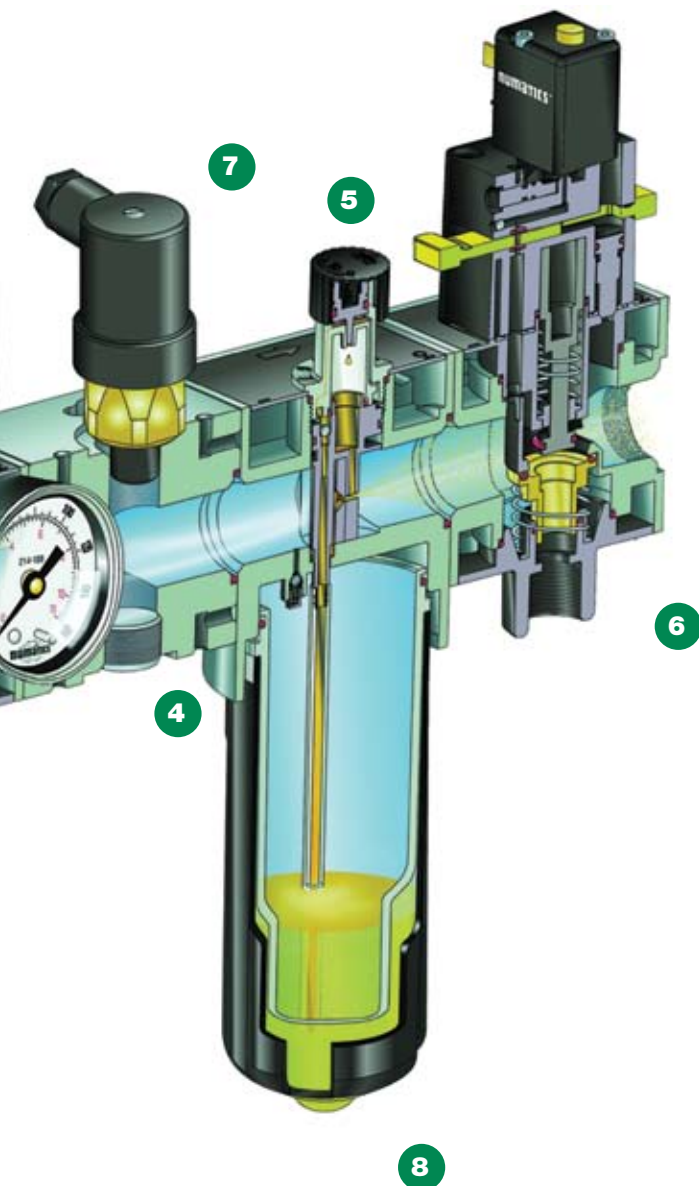
Reduces supply pressure to a required working pressure. Available in relieving or non-relieving styles and in four different pressure ratings.

4 Diverter Block

Provides total versatility; mounts directly inline to allow additional components to be manifolded without excessive pressure drop.



The **FlexiBlok®** Advantage



5 Lubricator

Designed to meter oil aerosols into the air stream where lubrication is required. Tamper-resistant adjustment knob eliminates unauthorized adjustments.

6 Solenoid Soft Start Quick Exhaust Valve

When solenoid air pilot is energized, adjustable flow control allows system to be pressurized slowly. When downstream pressure reaches approximately 60% of upstream pressure, slow start shifts to full flow condition. When solenoid air pilot is de-energized, downstream pressure exhausts to atmosphere. Equipped with manual override and lockout.

7 Pressure Switch

Allows for remote monitoring of system pressure. An adjustable, tamper-resistant knob resists unauthorized changes.

8 Bowls

Three types available: polycarbonate bowl with guard (standard), metal bowl with sight glass, and CircleVision™ - a metal bowl wrapped in polycarbonate, allowing a 360° view of liquid level in bowl.

9 Drains

Six types available: Manual drain with internal barb fitting (1/4" I.D.) for drain tube (standard), automatic float drain, flexible drain, external pulse drain, metal manual drain, and manual lever drain. All feature unique characteristics suitable for many different applications.

High Flow

The Numatics FRL **FLEXIBLOK®** line is designed for high flows - with minimal pressure drop.

Product Connection

Each **FLEXIBLOK®** component is engineered to connect directly to the next without inserts or special tools, ensuring optimum stability and strength.

Integral Mounting Holes

FLEXIBLOK® components mount directly without the use of special brackets or inserts, allowing for individual component mounting for stand-alone units.

The FlexiBlok® Advantage

Numatics coalescing filters use a borosilicate glass fiber to remove contaminant from air lines. Air flows from the inside to the outside of the element through progressively larger openings in the media, trapping contaminant particles and forcing liquids to form into larger drops and drain to the bottom of the bowl. Numatics filters are used to remove hydrocarbon, oil, and more. The filters are made up of seven main features:

1 End Seals

Urethane end seals provide positive seal. Compatible with mineral base and synthetic lubricants (silicone is optional)

2 Optional Pleated Prefilter

3 micron media protects the fine borosilicate fibers, extending the life of the coalescing media.

3 Inner Media Wrap - Inner Support Core

Allows cross flow of gas which initiates the coalescing process. Helps protect element from damage due to excessive pressure drop

4 Media

Four media choices for best performance. Proprietary glass fiber blend combines low differential pressures and high efficiencies with maximum holding capacity.

5 Outer Media Wrap - Outer Support Core

Provides structural stability to filter media from excessive pressure drop

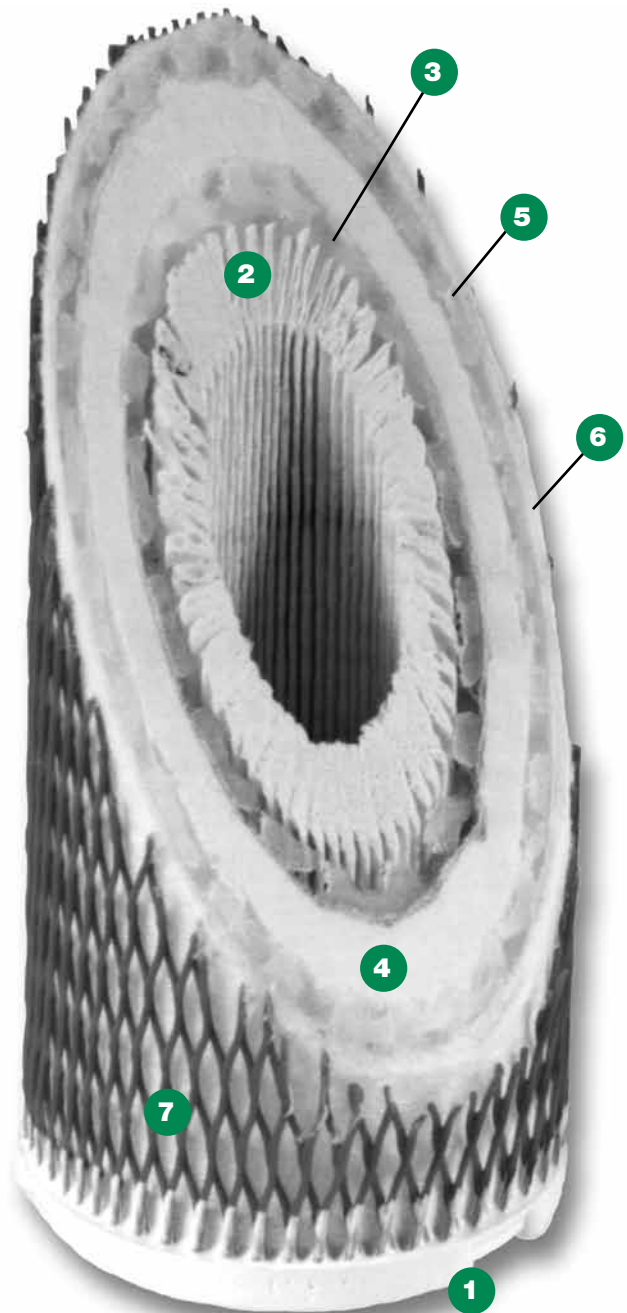
6 Drain Layer

Non-wicking fiber prevents re-entrainment

7 Color-coded Webbing

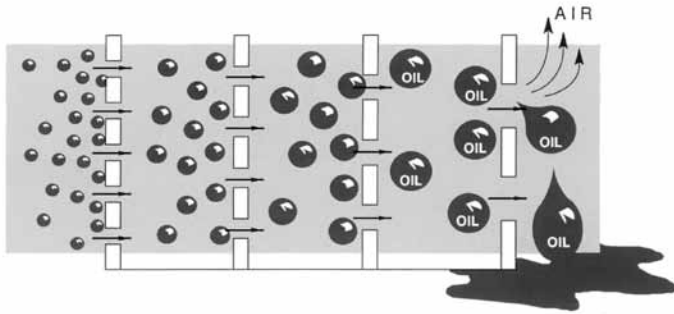
Allows for easy identification of media type

See next page for more information about our line of coalescing filters, including media grade information, application notes, and a helpful chart showing diameters of particles and aerosols in microns.



Cross-section of Numatics coalescing filter element, with optional pleated prefilter

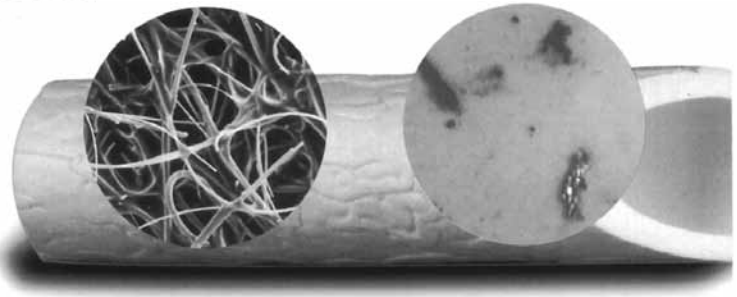
The FlexiBlok® Advantage



Air flows from the inside to the outside of the element through progressively larger openings in the media. As contamination moves through the element, solid particles are trapped and liquids are formed into large droplets. As the air exits the element, surface tension holds the liquids and allows them to drain to the bottom.

The Numatics 0.3 micron borosilicate glass fiber element, when magnified 228x (left), shows deep, tortuous paths and large air pockets which provide high performance contaminate removal and longer life.

Contamination removal from a typical compressed air line with 0.3 micron Numatics media is shown magnified 40x (right). The contamination contains hydrocarbon (black), oil (opaque drops), and metal fragments (shiny spots).

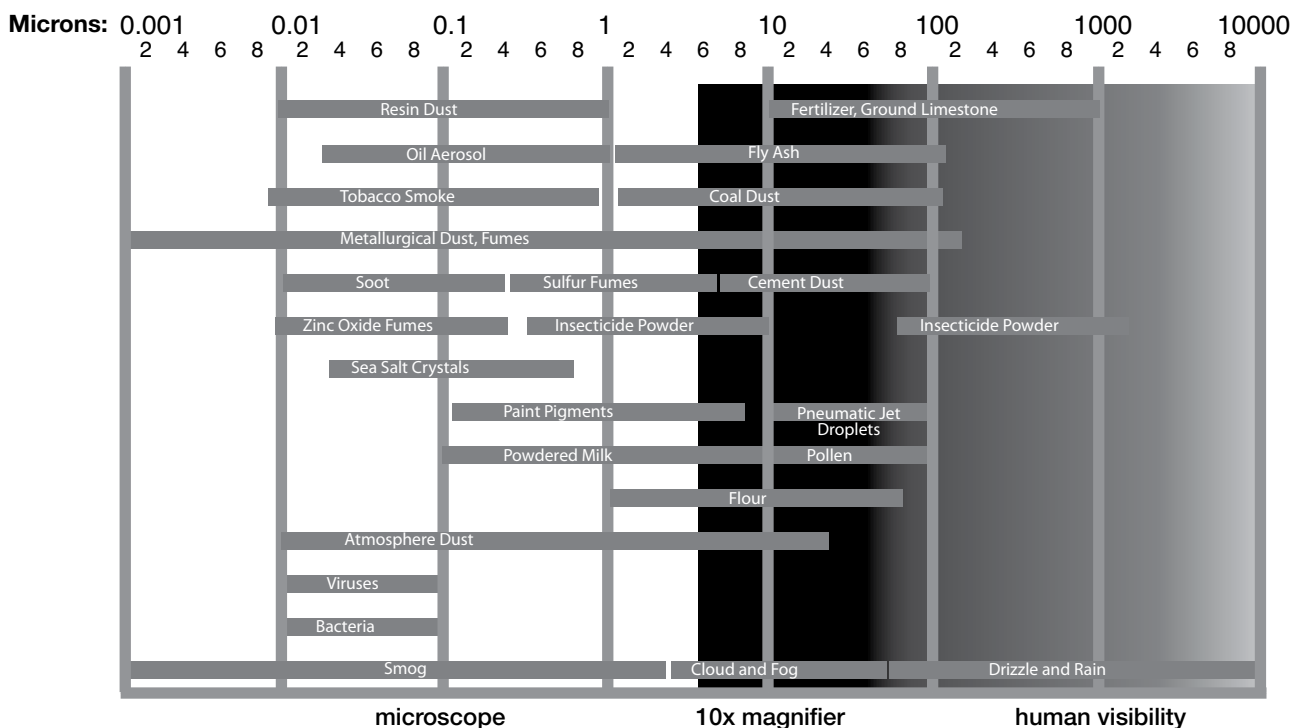


Scanning electron micrograph (at 228x)

Dirty filter magnification (at 40x)

With Numatics elements like the one on the left installed in your system, the contamination on the right won't get to where it can cause damage. Your system lasts longer and costs less.

What you get is not always what you see



Endless Manifold Possibilities



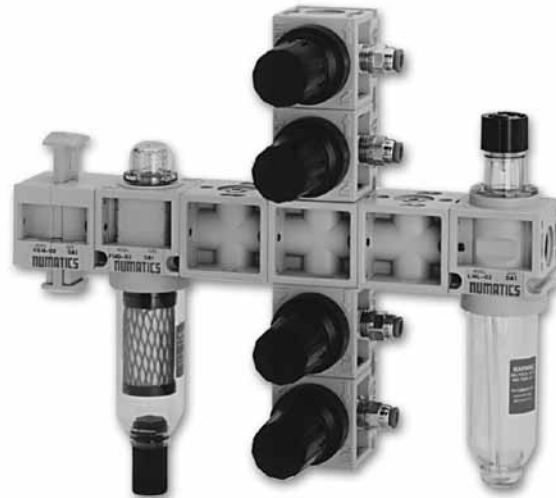
The **FLEXIBLOK®** 14 Series Manifold Regulator allows several regulators to be connected together in a line. Such a combination may be manifolded left to right or, using a 14 Series Diverter Block, up and down, providing an option for any mounting scenario.

The Manifold Regulator allows flexibility with any necessary pressure. The common P1 port through each regulator makes it possible for the 2nd, 3rd, and any other following inline regulator to provide independent pressure. For example, when 100 PSI enters the first manifold regulator, that pressure will continue to be carried across all following regulators, giving each regulator in the line 100 PSI primary pressure. The reduced pressure is taken from the gauge ports, either front or back!

A system equipped with the Manifold Regulator can help reduce operation costs, since several applications can use pressure supplied by a single FRL assembly.

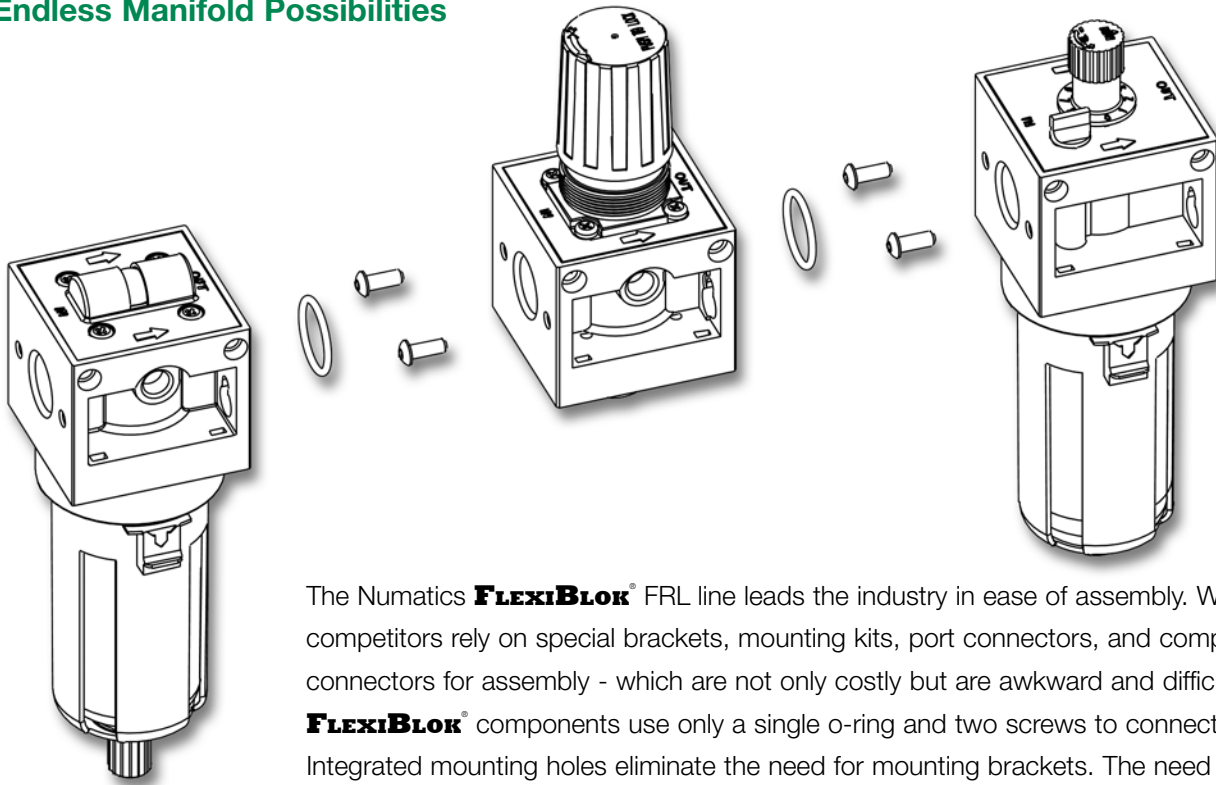
Numatics In-Fittings are the perfect solution for connecting tubing from a Manifold Regulator to the application. For more information see the 'In-Fittings' section in this catalog.

No room to build left to right?
 Regulators can be manifolded vertically
 using 14 Series Diverter Blocks.



Vertical not an option? Manifold regulators are flexible enough to be built in any direction (notice use of a standard regulator downstream of manifold regulators for reduced & stabilized pressure exiting the lubricator)!

Endless Manifold Possibilities



The Numatics **FLEXIBLOK**® FRL line leads the industry in ease of assembly. While many competitors rely on special brackets, mounting kits, port connectors, and component connectors for assembly - which are not only costly but are awkward and difficult to use - **FLEXIBLOK**® components use only a single o-ring and two screws to connect together. Integrated mounting holes eliminate the need for mounting brackets. The need for end plates is eliminated, as the in/out ports of all components are tapped so that any unit can be used as a stand alone unit.

By eliminating the need for additional special components, the Numatics **FLEXIBLOK**® line keeps costs down and maintenance and assembly quick and easy.

Less is More with FlexiBlok®

The typical **FLEXIBLOK**® FRL assembly (filter/regulator/lubricator) uses a total of 9 pieces to connect the three components. Some competitor assemblies require as many as 29 individual pieces. Most of these necessary parts are built into **FLEXIBLOK**® components.

Numatics gained its worldwide reputation in the air valve industry with the invention of the multi-purpose precision lapped spool and sleeve assembly design. To complement our valve line and air logic systems, Numatics began expanding its product line to include FRLs and numerous air preparation products in 1988. Today, Numatics leads the industry in air preparation equipment. Here's how Numatics can provide for all of your air preparation needs:

1 Numatics Automatic Drain Valve

Automatically expels water on timed sequence, eliminating the potential for water carryover.

2 Air Header and Air Drop

Should be installed in a closed loop around plant with a 1/4" per 10' slope to allow water to drain. Remove air from top of header to prevent moisture or contaminant from continuing toward application.

3 Drip Leg

Usually sized three times the diameter of the air drop. Collects moisture and contaminant.

4 Numatics Valves

Performs equally well with or without lubrication. The lapped spool and sleeve valve is the most reliable valve for dirty or clean environments. For maximum performance, filtration is recommended.

5 Numatics Cylinders

Performs equally well with or without lubrication. New seal design eliminates packing cylinder bore with grease to achieve non-lube function.

6 Numatics Lockout Valves

Allows system air to be exhausted quickly for safety or other maintenance functions. Large locking hole for trade locked or other security device prevents system from being accidentally turned on during maintenance. Meets OSHA specifications.

7 Electropneumatic Transducers

I-P/E-P Pressure Transducer uses critical orifices and components that may be damaged by oils or carryovers incompatible with circuitry.

8 Numatics FLEXIBLOK® Shut Off Valves

Relieving model allows bleed down of downstream air for maintenance functions. Can be locked out for security. Meets OSHA specifications.

9 Numatics FLEXIBLOK® Particulate Filters

Designed to remove accumulated condensation and particles. Recommended standard filtration is 5 micron (40 micron optional). Also available as a coalescing filter. Optional automatic drain dispels liquid from bowl.

10 Numatics FLEXIBLOK® Regulator

Reduces system pressure to working pressure saving both compressed air costs and pressure fluctuation. Since increasing pressure does not necessarily increase speed, the lowest pressure required to perform the task will be the least expensive. Ask us about Numasizing!

11 Numatics FLEXIBLOK® Filter/Regulators ('Piggybacks')

Combination filter/regulator performs the duties of both components in one compact unit. Also available as a coalescing filter-regulator.

12 Numatics FLEXIBLOK® Diverter Block

Allows air to be diverted into multiple directions. Can be used in manifold or direct piped applications.

13 Numatics FLEXIBLOK® Lubricator

Allows precise amount of lubricant to atomize and be sent downstream in aerosol form. Useful for air motor or very high-cycle actuator applications.

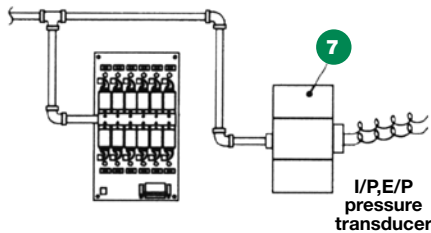
14 Numatics FLEXIBLOK® Solenoid Soft Start Quick Exhaust

Solenoid-activated soft start valve allows system to slowly ramp up to working pressure, preventing rapid acceleration from damaging components. Downstream pressure quickly exhausts when solenoid is de-energized.

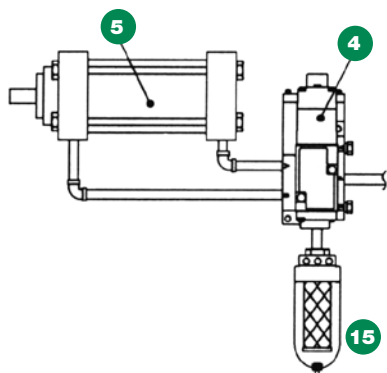
15 Reclassifiers

Removes oil mist and reduces noise from exhaust ports on pneumatic valves, cylinders, and air control systems at extremely high flow rates

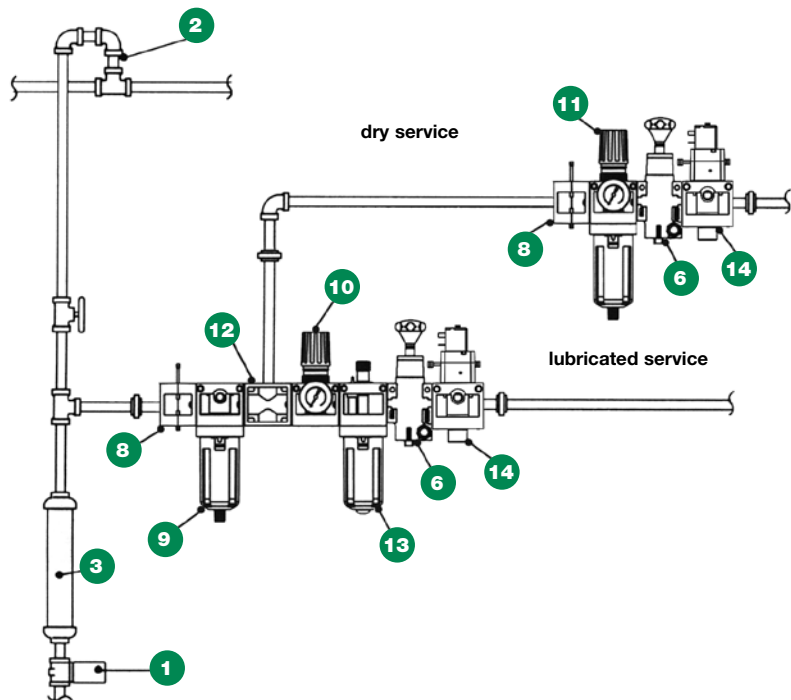
Instrument Circuit



Lubricated Cylinder Circuit

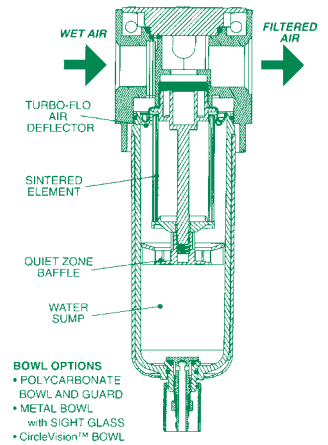


Modular Air Preparation System



F14, F22, F32, F42 Series

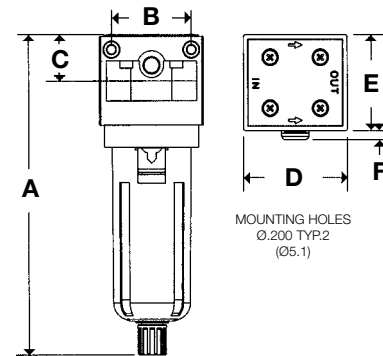
- Four convenient sizes
- 5 micron sintered elements standard (40 micron optional)
- Can be installed as modular or individual unit
- Includes screws and o-rings for modular connection
- Manual or automatic drain
- Polycarbonate bowl standard
- Optional metal bowl with sight glass
- Optional **CircleVision™** sight bowl



Specifications

Bowl		14 Series	22 series	32 Series	42 Series
Temperature Range °F (°C)		40-120 (4-50)	40-120 (4-50)	40-120 (4-50)	40-120 (4-50)
Max. Pressure PSIG (BAR)	Poly C	150 (10)	150 (10)	150 (10)	150 (10)
	Metal	200 (14)	200 (14)	200 (14)	200 (14)
Weight lbs. (kg)	Poly C	0.60 (0.28)	0.65 (0.30)	1.3 (0.59)	3.70 (1.68)
	Metal	0.65 (0.30)	1.25 (0.57)	2.5 (1.14)	4.80 (2.18)
Nominal Flow SCFM (L/M)*		32 (906)	65 (1841)	105 (2973)	270 (7647)
Body Material		Zinc	Aluminum	Aluminum	Aluminum

*Nominal flow with a 5 micron element at 80 psig (5.5 bar) inlet and 5 psig (0.35 bar) pressure drop



Dimensions: Inches (mm)

Size	A	B	C	D	E	F
14	5.94 (151)	1.45 (37)	0.85 (22)	1.68 (43)	1.6 (41)	
22	7.41 (186)	1.82 (48.5)	1.045 (26.5)	2.375 (60.4)	2.165 (54.9)	0.21 (5.3)
32	8.88 (221)	2.45 (62)	1.35 (34.3)	3 (76)	3 (76)	0.14 (3.6)
42	12.6 (32)	3.26 (83)	1.4 (36)	4 (102)	4 (102)	

How to Order

F 22 B - 04 AC

Model
F = Filter

Series
14 = 1.5 oz Bowl
22 = 3.8 oz Bowl
32 = 8.5 oz Bowl
42 = 8.5 oz Bowl

Element
B = 5 Micron Element
A = 40 Micron Element

Threads
- = NPTF
G* = G Tap (BSPP)
R = PT (BSPT)

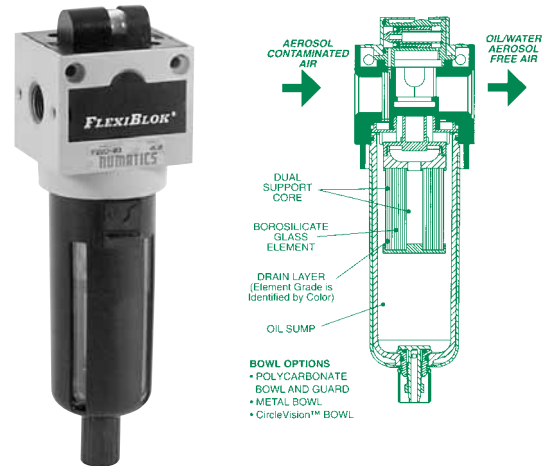
Options
A = Auto Drain (22, 32 and 42 Series)
B = Flexible Drain
C = CircleVision™ Sight Bowl
J = External Pulse Drain
M = Metal Bowl with Sight Glass
Q = Metal Manual Drain
R = Manual Lever Drain
U = Dp Indicator

Port Size
01 = 1/8 (14 Series)
02 = 1/4 (14 or 22 Series)
03 = 3/8 (22 Series)
04 = 1/2 (22 or 32 Series)
06 = 3/4 (32 or 42 Series)
08 = 1 (42 Series)

*Conforms to ISO Standards 1179-1 and 228-1

F14, F22, F32, F42 Series

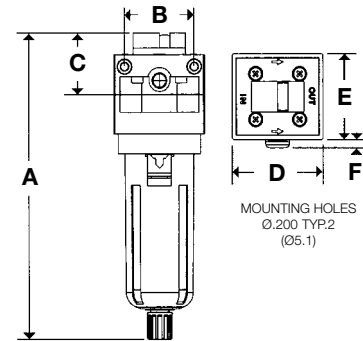
- Four convenient sizes
- Cartridge element design
- Inner and outer support cores provide stability to filter element
- Available with manual or automatic drain
- Optional metal bowl (sight glass available on 22, 32 and 42 Series)
- Dp indicator standard on 14, 22, 32 and 42 Series



Specifications

Bowl		14 Series	22 series	32 Series	42 Series
Temperature Range °F (°C)		40-120 (4-50)	40-120 (4-50)	40-120 (4-50)	40-120 (4-50)
Max. Pressure PSIG (BAR)	Poly C	150 (10)	150 (10)	150 (10)	150 (10)
	Metal	200 (14)	200 (14)	200 (14)	200 (14)
Weight lbs. (kg)	Poly C	0.65 (0.28)	0.66 (0.30)	1.42 (0.65)	3.70 (1.68)
	Metal	0.70	1.28	2.56	4.80
Nominal Flow SCFM (L/M)*		12 (340)	18 (510)	48 (1359)	100 (2832)
Body Material		Zinc	Aluminum	Aluminum	Aluminum

*Nominal flow with a 0.3 micron element at 80 psig (5.5 bar) inlet pressure and 1.5 psig (0.1 bar) pressure drop



Dimensions: Inches (mm)

Size	A	B	C	D	E	F
14	6.57 (167)	1.45 (37)	1.48 (38)	1.68 (43)	1.6 (41)	
22	7.77 (194)	1.83 (46.5)	1.56 (39.5)	2.375 (60.4)	2.165 (54.9)	0.21 (5.3)
32	9.4 (234)	2.45 (62)	1.86 (47)	3 (76)	3 (76)	0.14 (3.6)
42	13.09 (332)	3.26 (83)		4 (102)	4 (102)	

How to Order

F 14 D - 02 AC

Model
F = Filter

Series
14 = 1.5 oz Bowl
22 = 3.8 oz Bowl
32 = 8.5 oz Bowl
42 = 8.5 oz Bowl

Element
C = 0.7 Micron Coarse Coalescer
D = 0.3 Micron Fine Coalescer
E = 0.01 Micron Ultra Fine Coalescer
F = Vapor adsorber

Threads
- = NPTF
G* = G Tap (BSPP)
R = PT (BSPT)

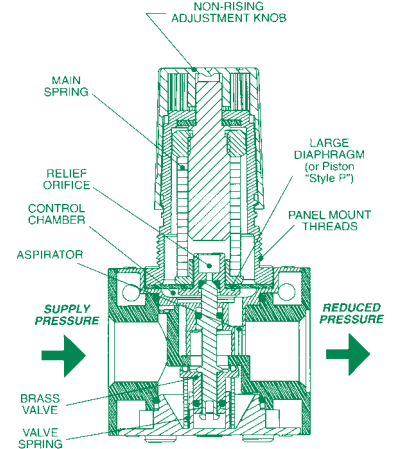
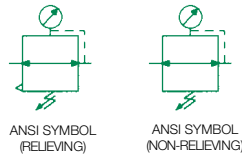
Options
A = Auto Drain (22, 32 and 42 Series)
B = Flexible Drain
C = CircleVision™ Sight Bowl
D = 3 Micron, Internal Pleated Prefilter
J = External Pulse Drain
M = Metal Bowl With Sight Glass
Q = Metal Manual Drain
R = Manual Lever Drain
U = No Dp Indicator

Port Size
01 = 1/8 (14 Series)
02 = 1/4 (14 or 22 Series)
03 = 3/8 (22 Series)
04 = 1/2 (22 or 32 Series)
06 = 3/4 (32 or 42 Series)
08 = 1 (42 Series)

*Conforms to ISO Standards 1179-1 and 228-1

R14, R22, R32, R42 Series

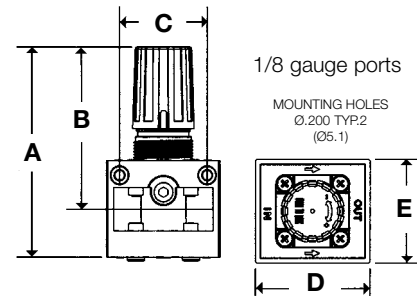
- Four convenient sizes
- High flow in compact size
- Locking non-rising adjustment knob
- Four different pressure ratings available
- Relieving or non-relieving models
- Can be installed as modular or individual unit
- Standard output pressure 0-125 PSIG



Specifications

	14 Series	22 Series	32 Series	42 Series
Temperature Range °F (°C)	40-120 (4-50)	40-120 (4-50)	40-120 (4-50)	40-120 (4-50)
Max. Pressure PSIG (BAR)	250 (17)	200 (14)	250 (17)	250 (17)
Nominal Flow Rate SCFM (L/M)*	40 (1133)	70 (1982)	100 (2382)	300 (8495)
Weight lbs. (kg)	0.65 (0.30)	0.69 (0.31)	1.37 (0.62)	4.30 (1.95)
Body Material	Zinc	Aluminum	Aluminum	Aluminum

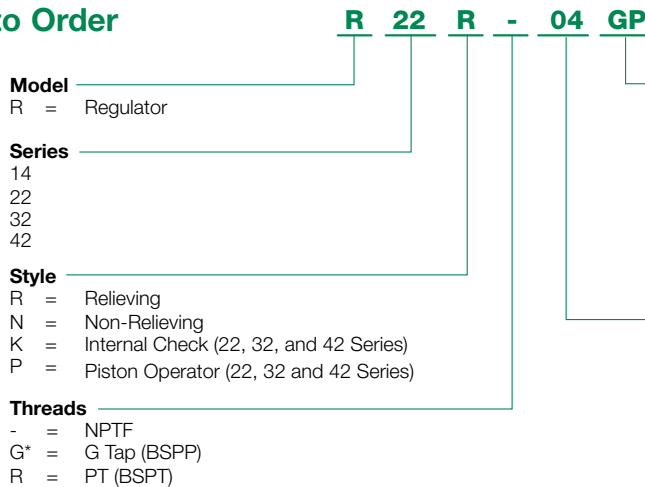
*Nominal flow at 100 psig (6.9 bar) inlet pressure and 80 psig (5.5 bar) set point pressure



Dimensions: Inches (mm)

Size	A	B	C	D	E
14	3.69 (94)	2.87 (73)	1.45 (37)	1.68 (43)	1.6 (41)
22	4.51 (115)	3.41 (87)	1.83 (46.5)	2.375 (60.4)	2.165 (54.9)
32	5.95 (151)	4.5 (114)	2.45 (62)	3 (76)	3 (76)
42	8.19 (208)	6.19 (157)	3.26 (83)	4 (102)	4 (102)

How to Order



Options

- G = Gauge
- H = 0-200 PSIG Output (22, 32 or 42 Series)
- I = 0-25 PSIG Output
- L = 0-60 PSIG Output
- P = Panel Mount Nut (14, 22, 32 Series)
- S = Steel T Handle (42 Series)
- T = Tamper Resistant

Port Size

- 01 = 1/8 (14 Series)
- 02 = 1/4 (14 or 22 Series)
- 03 = 3/8 (22 Series)
- 04 = 1/2 (22 or 32 Series)
- 06 = 3/4 (32 or 42 Series)
- 08 = 1 (42 Series)

Notes:

- 42 Series "H" spring comes standard with "Steel T Handle."
- "T" option tamper resistant cannot be used with high pressure "H" option with 42 Series.

*Conforms to ISO Standards 1179-1 and 228-1

MR14 Series

The 14 Series Manifold Regulator allows several regulators to be chained together while maintaining a constant primary pressure to each regulator. This regulator features a dual spring design which covers any possible outlet setting without the need to indicate a specific spring, eliminating confusing options and part numbers. The regulator uses the inner spring for more precise, lower pressures, and the outer spring for middle to high pressures. As the smaller, inner spring is compressed, the larger, outer spring takes over for higher pressures.

Regulators consist of a piston which floats between the main springs (top) and a valve stem (bottom). By turning the adjustment knob clockwise, the main spring is forced onto the piston which, in turn, is pressed onto the valve stem. When the spring force becomes greater than the force of the air pressure in the control chamber below the piston, the valve is forced down and flow begins. As flow continues, the pressure begins to build and air, via the aspirator tube, fills the control chamber. When the underside piston force is greater than the main spring force, the piston is forced upward, causing the main valve to close. The cycle continues in a balanced process of reducing or increasing flow based upon the downstream pressure.

- High flow in compact size
- Locking adjustment knob
- Single pressure range suits any application
- Relieving or non-relieving models
- Can be installed as modular or individual unit
- Standard output pressure 0-125 PSIG

Specifications

	14 Series
Temperature Range °F (°C)	40-120 (4-50)
Max. Pressure PSIG (BAR)	250 (17)
Weight lbs. (kg)	0.60 (0.27)
Body Material	Zinc
Nominal Flow Rate SCFM (L/M)*	40 (1133)

*Nominal flow at 100 psig (6.9 bar) inlet pressure and 90 psig (6.2bar) set pressure

How to Order

MR 14 R - 02 GT

Model
MR = Manifold Regulator

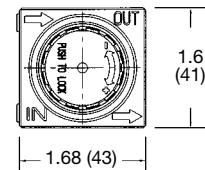
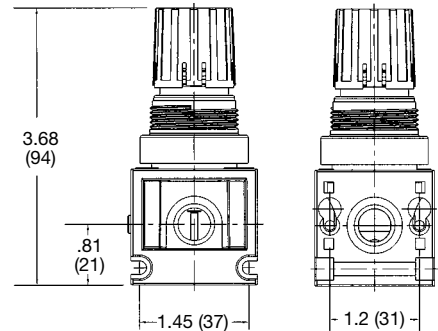
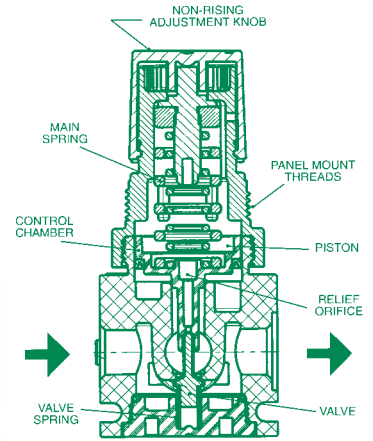
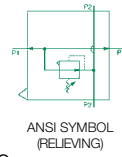
Series
14

Style
R = Relieving
N = Non-Relieving

Threads
- = NPTF
G* = G Tap (BSPP)
R = PT (BSPT)

Options
G = Gauge
I = 0-25 PSIG Output
L = 0-60 PSIG Output
P = Panel Mount Nut
T = Tamper Resistant

Port Size
02 = 1/4



1/4 gauge ports
 MOUNTING HOLES
 Ø.300 TYP.2 (Ø7.6)

*Conforms to ISO Standards 1179-1 and 228-1

MR02 Series

Application

The MR02 Series Miniature Manifold Regulator offers the flexibility necessary for many of today's applications. The MR02 Series allows several regulators to be chained together while maintaining a constant primary pressure to each regulator.

A system equipped with the Miniature Manifold Regulator can help reduce operation costs by reducing unnecessary downstream pressures and improve efficiencies by keeping them in one convenient location for easy adjustment.

Features

- Can be installed as an individual or manifold unit
- Standard output pressure 0 -125 PSIG
- 3 available outlet/gauge ports (one in front, one in back, and one in the bottom)
- Integral mounting holes allow for easy panel mounting
- Connects easily without adapters or independent manifold system
- Standard 5 mm tamper resistant adjustment
- Relieving or non-relieving models

Specifications

P1 Ports	1/8 NPTF
Outlet/Gauge Ports	10-32 UNF
Temperature Range °F (°C)	40-120 (4-50)
Max. Inlet Pressure PSIG (BAR)	200 (14)
Weight lbs. (g)	15 (68)
**SCFM w/100 PSI inlet set @ 75	5 SCFM
**SCFM w/100 PSI inlet set @ 60	4 SCFM
**SCFM w/100 PSI inlet set @ 40	3 SCFM
Body Material	Aluminum

** based on a 25% pressure drop from set

Optional Accessories

Item	Part No.
23mm Gauge "G" Option	NG23-M
10-32 - 1/8 NPTF Adapter	134-034
10-32 - 1/8 O.D Barb Fitting	134-236
10-32 - 1/4 O.D Barb Fitting	134-234

Each Regulator includes an R02K assembly kit which includes (1) 10-32 pipe plug, (1) 1/8 pipe plug, (1) P1 port o-ring, (2) connector screws.

How to Order

MR 02 R - 01 G

Model
MR = Manifold Regulator

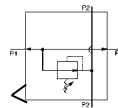
Series
02

Style
R = Relieving
N = Non-Relieving

Options
G = Gauge
I = 0-25 PSI
L = 0-60 PSI

Port Size
01 = 1/8
P1 ports are 1/8
outlet/gauge ports are 10-32

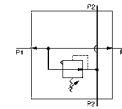
Threads
- = NPTF
G = G Tap (BSPP)
R = PT (BSPT)



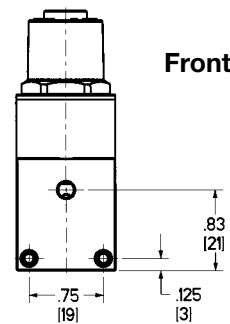
ANSI SYMBOL (Relieving)



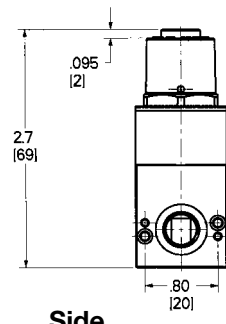
MR02R-01G pictured shown assembled and individually



ANSI SYMBOL (Non-Relieving)



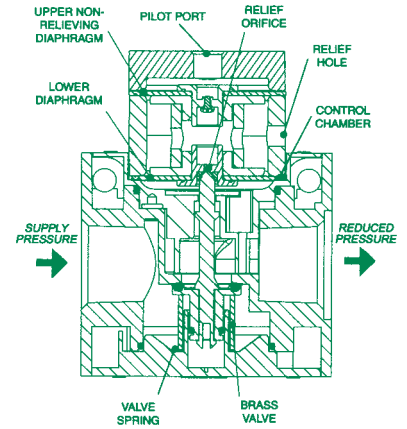
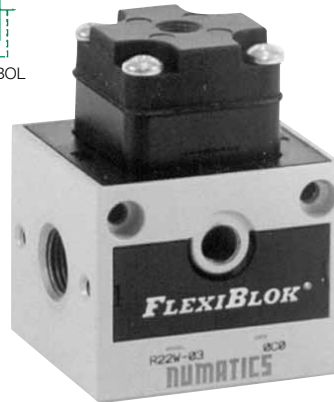
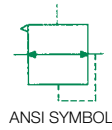
Front



Side

R22, R32, R42 Series

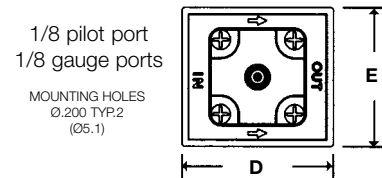
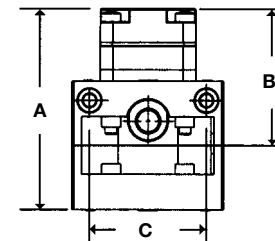
- Three convenient sizes
- High flow in compact size
- Can be installed as modular or individual unit
- Standard output pressure 0-125 PSIG
- Relieving or non-relieving models



Specifications

	22 Series	32 Series	42 Series
Temperature Range °F (°C)	40-120 (4-50)	40-120 (4-50)	40-120 (4-50)
Min. Pilot Pressure PSI (BAR)	15 (1)	15 (1)	15 (1)
Max. Pilot Pressure PSI (BAR)	150 (10.2)	150 (10.2)	250 (17.2)
Nominal Flow Rate SCFM (L/M)*	60 (1699)	110 (3115)	325 (9203)
Weight lbs. (kg)	0.66 (0.25)	1.35 (0.50)	3.85 (1.75)
Body Material	Aluminum	Aluminum	Aluminum

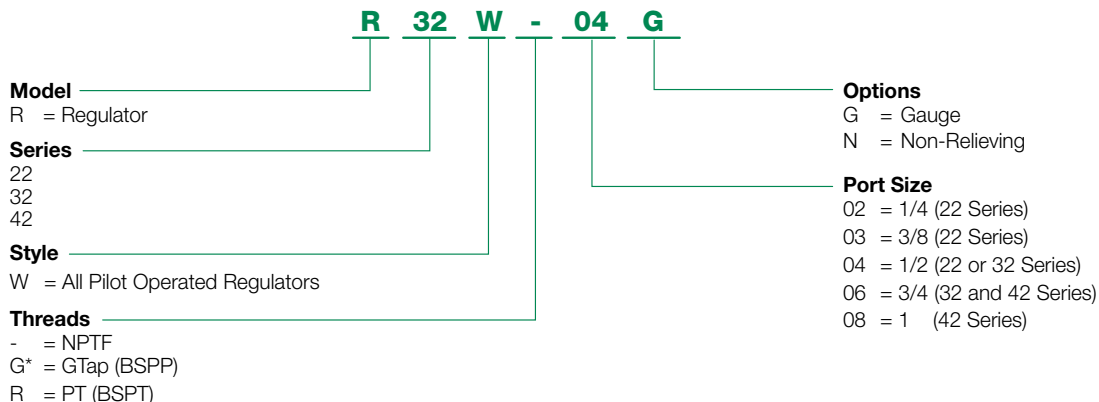
*Nominal flow at 100 psig (6.9 bar) inlet pressure and 80 psig (5.5 bar) set pressure



Dimensions: Inches (mm)

Size	A	B	C	D	E
22	3.12 (79)	2.12 (55)	1.83 (46.5)	2.375 (60.4)	2.165 (54.9)
32	3.93 (100)	2.58 (65.5)	3 (76)	3 (76)	3 (76)
42	3 (76)	2.601 (66)	4 (102)	4 (102)	4 (102)

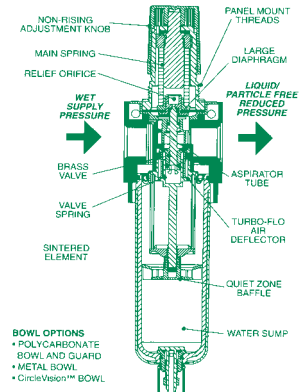
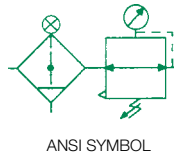
How to Order



*Conforms to ISO Standards 1179-1 and 228-1

P14B, P22B, P32B, P42B Series

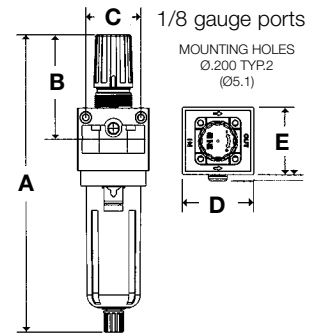
- Four convenient sizes
- 5 micron element standard (40 micron optional)
- Can be installed as individual or modular unit
- Locking non-rising adjustment knob
- Optional **CircleVision™** sight bowl
- Optional metal bowl (sight glass available on 22, 32 and 42 Series)
- Standard output pressure 0-125 PSIG
- Bowl seal held captive (22, 32, and 42 Series)



Specifications

Bowl		14 Series	22 series	32 Series	42 Series
Temperature Range °F (°C)		40-120 (4-50)	40-120 (4-50)	40-120 (4-50)	40-120 (4-50)
Max. Pressure PSIG (BAR)	Poly C	150 (10)	150 (10)	150 (10)	150 (10)
	Metal	200 (14)	200 (14)	200 (14)	200 (14)
Weight lbs. (kg)	Poly C	0.75 (0.34)	0.91 (0.41)	1.81 (0.82)	5.05 (2.29)
	Metal	0.80 (0.37)	1.50 (0.68)	2.99 (1.34)	6.15 (2.79)
Nominal Flow SCFM (L/M)*		40 (1133)	60 (1699)	90 (2549)	300 (8496)
Body Material		Zinc	Aluminum	Aluminum	Aluminum

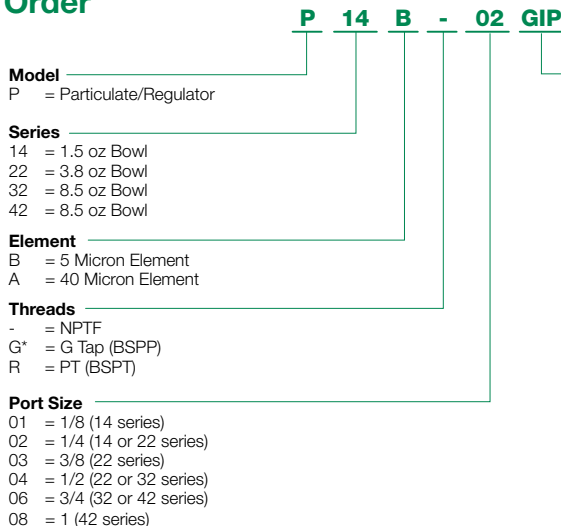
*Nominal flow using a 5 micron element, at 100 psig (6.9 bar) inlet pressure and 80 psig (5.5 bar) set pressure



Dimensions: Inches (mm)

Size	A	B	C	D	E
14	7.9 (200)	2.87 (73)	1.45 (37)	1.68 (43)	1.6 (41)
22	9.86 (251)	3.41 (87)	1.83 (46.5)	2.375 (60.4)	2.165 (54.9)
32	12.2 (309)	4.5 (114)	2.45 (62)	3 (76)	3 (76)
42	17.39 (442)	6.19 (157)	3.26 (83)	4 (102)	4 (102)

How to Order



*Conforms to ISO Standards 1179-1 and 228-1

Options

- A** = Auto Drain (22, 32, and 42 Series)
- B = Flexible Drain
- C = CircleVision™ Sight Bowl
- G = Gauge
- H** = 0-200 PSIG Output (22, 32 and 42 Series)
- I = 0-25 PSIG Output
- J = External Pulse Drain
- L = 0-60 PSIG Output (22, 32 and 42 Series)
- M = Metal Bowl (Sight Glass Available 22, 32 and 42 Series)
- N = Non-Relieving
- P = Panel Mount Nut (14, 22, and 32 Series)
- Q = Metal Manual Drain
- R = Manual Lever Drain
- T = Tamper Resistant
- S = Steel T Handle (42 Series)
- V = Shut off valve

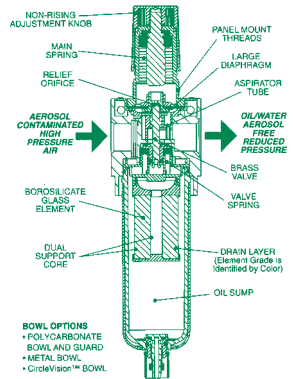
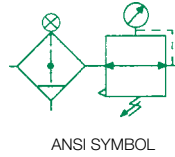
***A" and "H" options cannot be used together.

Notes:

- To order a piston style particulate filter/regulator, add "P" to the model number.(example: P32BP-04GIP)
- "T" option tamper resistant cannot be used with high pressure "H" option with 42 Series.

C14, C22, C32, C42 Series

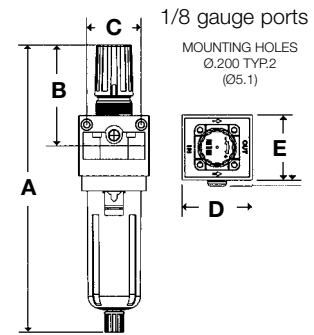
- Four convenient sizes
- Cartridge element design
- Inner/outer support cores prevent element from crushing in either flow direction
- Four element grades available



Specifications

Bowl		14 Series	22 series	32 Series	42 Series
Temperature Range °F (°C)		40-120 (4-50)	40-120 (4-50)	40-120 (4-50)	40-120 (4-50)
Max. Pressure PSIG (BAR)	Poly C	150 (10)	150 (10)	150 (10)	150 (10)
	Metal	200 (14)	200 (14)	200 (14)	200 (14)
Weight lbs. (kg)	Poly C	0.80 (0.35)	0.92 (0.42)	1.82 (0.83)	5.05 (2.29)
	Metal	0.85 (0.38)	1.60 (0.73)	2.95 (1.34)	6.15 (2.76)
Nominal Flow SCFM (L/M)*		20 (560)	35 (991)	50 (1416)	100 (2832)
Body Material		Zinc	Aluminum	Aluminum	Aluminum

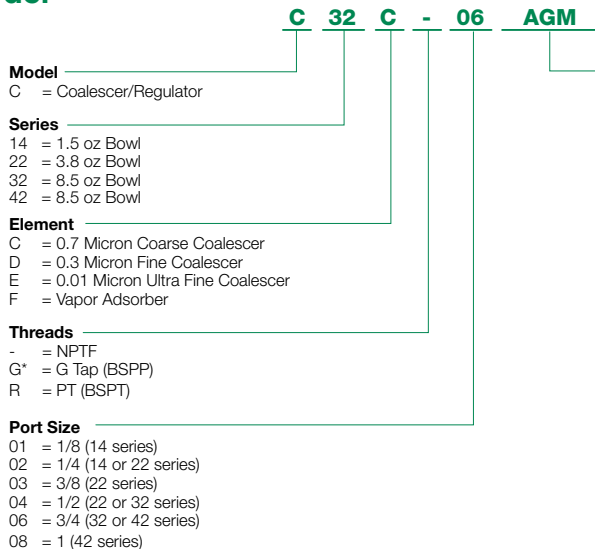
*Nominal flow using a 0.3 micron element, at 100 psig (6.9 bar) inlet pressure and 80 psig (5.5 bar) set pressure



Dimensions: Inches (mm)

Size	A	B	C	D	E
14	7.9 (200)	2.87 (73)	1.45 (37)	1.68 (43)	1.6 (41)
22	9.86 (251)	3.41 (87)	1.83 (46.5)	2.375 (60.4)	2.165 (54.9)
32	12.2 (309)	4.5 (114)	2.45 (62)	3 (76)	3 (76)
42	17.39 (442)	6.19 (157)	3.26 (83)	4 (102)	4 (102)

How to Order



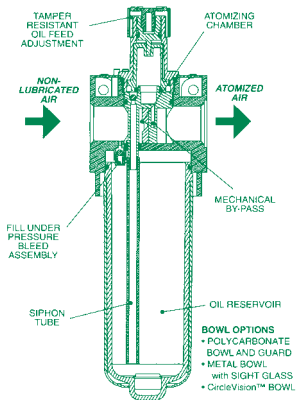
- Options**
- A* = Auto Drain (22, 32, and 42 series)
 - B = Flexible Drain
 - C = CircleVision™ Sight Bowl
 - D = 3 Micron, Internal Pleated Filter
 - G = Gauge
 - H* = 0-200 PSIG Output
 - I = 0-25 PSIG Output
 - J = External Pulse Drain
 - L = 0-60 PSIG Output
 - M = Metal Bowl (Sight Glass Available 22, 32 and 42 Series)
 - N = Non-Relieving
 - P = Panel Mount Nut
 - Q = Metal Manual Drain
 - R = Manual Lever Drain
 - S = Steel T Handle (42 Series)
 - T = Tamper Resistant
 - V = Shut Off Valve

*"A" and "H" options cannot be used together.
 Note: To order a piston style coalescing/regulator add "P" to the model number. (ie: C32CP-06AGQ)

*Conforms to ISO Standards 1179-1 and 228-1

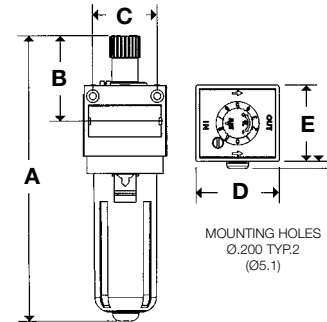
L14L, L22L, L32L, L42L Series

- Four convenient sizes
- Lubrication to begin at 2 SCFM
- Can be filled under pressure (32 and 42 series)
- Tamper-resistant knob standard
- Optional CircleVision™ sight bowl
- Optional metal bowl (sight glass available on 22, 32, and 42 series)
- Can be mounted as individual or modular unit
- Button head fill optional on all sizes
- Atomizing chamber develops longer life aerosols



Specifications

	14 Series	22 Series	32 Series	42 Series
Temperature Range °F (°C)	40-120 (4-50)	40-120 (4-50)	40-120 (4-50)	40-120 (4-50)
Max. Pressure PSIG (BAR)	200 (14)	200 (14)	200 (14)	200 (14)
Nominal Flow Rate SCFM (L/M)*	30 (850)	95 (2690)	230 (6513)	240 (6796)
Weight lbs. (kg)	0.60 (0.27)	0.69 (0.31)	1.37 (0.62)	4.15 (2.18)
Body Material	Zinc	Aluminum	Aluminum	Aluminum



*Nominal flow at 80 psig (5.5 bar) inlet pressure and 5 psig (0.35 bar) pressure drop

Dimensions: Inches (mm)

Size	A	B	C	D	E
14	6.65 (169)	2.24 (88)	1.45 (37)	1.68 (43)	1.6 (41)
22	8.12 (206)	2.41 (61)	1.83 (46.5)	2.375 (60.4)	2.165 (54.9)
32	9.65 (245)	2.72 (70)	2.45 (62)	3 (76)	3 (76)
42	13.27 (337)	2.72 (70)	3.26 (83)	4 (102)	4 (102)

How to Order

Model L 22 L - 02 M

Series

- 14 = 1.5 oz Bowl
- 22 = 3.8 oz Bowl
- 32 = 3.8 oz Bowl
- 42 = 3.8 oz Bowl

Style

- L = Standard Lubricators

Threads

- = NPTF
- G* = G Tap (BSPP)
- R = PT (BSPT)

Options

- C = CircleVision Sight Bowl
- F = Button Head Fill
- K = Drain on Bowl
- M = Metal Bowl (Sight Glass Available on 22, 32, and 42 Series)

Port Size

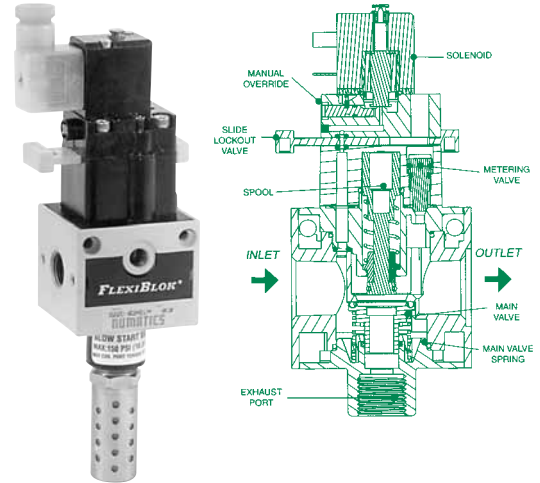
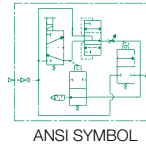
- 01 = 1/8 (14 series)
- 02 = 1/4 (14 or 22 series)
- 03 = 3/8 (22 series)
- 04 = 1/2 (22 or 32 series)
- 06 = 3/4 (32 or 42 series)
- 08 = 1 (42 series)

Note: F and K options cannot be used together.

*Conforms to ISO Standards 1179-1 and 228-1

S22C, S32C, S42C Series

- Three convenient sizes
- Lockout feature prevents unauthorized pressurization of system
- High exhaust capacity for quick depletion of pressure
- High inlet to outlet flow capability
- Connects easily to **FLEXIBLOK®** Modular system
- Incorporated metering valve controls how quickly downstream pressure is reached, which controls the slow start feature

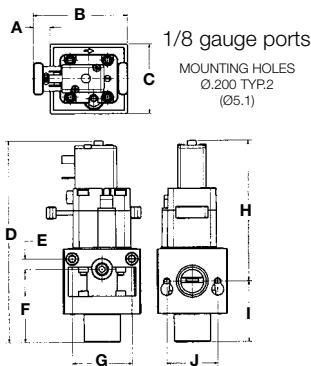


Specifications

	22 Series	32 Series	42 Series
Exhaust Ports NPTF (Gauge Ports NPTF)	1/2 (1/8)	1/2 (1/4)	3/8: 3 exh. ports (1/4)
Temperature Range °F (°C)	40-120 (4-50)	40-120 (4-50)	40-120 (4-50)
Min. Pressure PSI (BAR)	60 (4)	60 (4)	20 (1.38)
Max. Pressure PSIG (BAR)	150 (10)	150 (10)	150 (10)
Weight lbs. (kg)	0.94 (0.43)	1.56 (0.71)	4.35 (1.97)
Body Material	Aluminum	Aluminum	Aluminum

Series	Cv Flow Factor	
	In/Out	Out/Exhaust
22 Series 1/4	2.0	1.2
22 Series, 3/8	2.87	1.38
22 Series, 1/2	3.62	1.38
32 Series, 1/2	5.24	3.01
32 Series, 3/4	6.47	3.14
42 Series, 1	8.0	5.0

Wattage and Amperage	
110V AC	1.42 watts / 0.022 amps
230V AC	2.00 watts / 0.016 amps
24V AC	2.00 watts / 0.011 amps
24V DC	2.00 watts / 0.080 amps



Dimensions: Inches (mm)						
Size	A	B	C	D	F	G
22	0.51 (13)	2.9 (73)	2.1 (65)	6.3 (160)	2.2 (58)	1.8 (46)
32	0.26 (6)	3.25 (82)	3.0 (76)	6.9 (168)	2.7 (68)	2.45 (62)
42	N/A	4.0 (102)	4.0 (102)	7.4 (188)	2.0 (51)	3.26 (83)

How to Order

S 32 C - 06 B EGM

Model
S = Solenoid Soft Start

Series
22
32
42

Style
C = Standard Solenoid Soft Start

Threads
- = NPTF
G* = G Tap (BSPP)
R = PT (BSPT)

Options
E = 110V AC 50/60 Hz
F = 230V AC 50/60 Hz
G = Gauge
J = 24V AC 50/60 Hz Coil
K = 24V DC Coil
L = Plug with Light
M = Muffler
N = No manual Override
P = Black Plug Assembly
Q = 4 Pin Micro Connector
X = No Slide

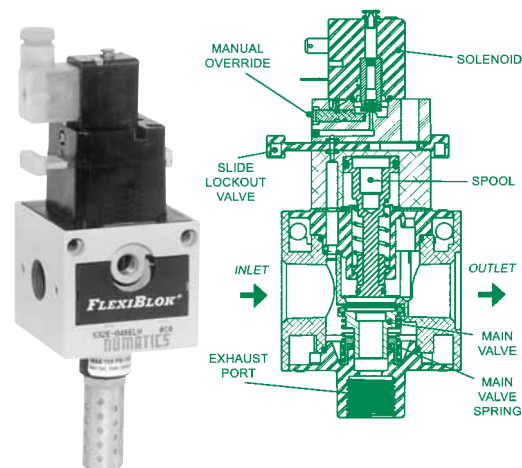
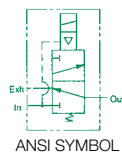
Revision Level
B

Port Size
02 = 1/4 (22 Series)
03 = 3/8 (22 Series)
04 = 1/2 (22 or 32 Series)
06 = 3/4 (32 or 42 Series)
08 = 1 (42 Series)

*Conforms to ISO Standards 1179-1 and 228-1

S14E, S22E, S32E, S42E Series

- Four convenient sizes
- Lockout feature (located in slide valve) prevents unauthorized pressurization of system (22, 32, and 42 Series)
- Standard manual override (optional without manual override)
- Low-wattage coil
- High exhaust capacity for quick depletion of pressure
- High inlet to outlet flow capability
- Connects easily to **FLEXIBLOK®** Modular system

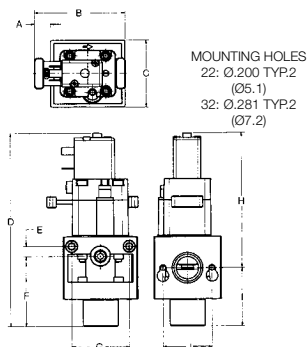


Specifications

	14 Series	22 Series	32 Series	42 Series
Exhaust Ports NPTF (Gauge Ports NPTF)	1/8 (10-32 UNF)	1/2 (1/8)	1/2 (1/4)	3/4 (1/4)
Temperature Range °F (°C)	40-120 (4-50)	40-120 (4-50)	40-120 (4-50)	40-120 (4-50)
Min. Pressure PSI (BAR)	40 (2.76)	40 (2.76)	40 (2.76)	20 (1.38)
Max. Pressure PSIG (BAR)	150 (10)	150 (10)	150 (10)	150 (10)
Weight lbs. (kg)	1.25 (0.57)	1.15 (0.53)	1.75 (0.79)	3.45 (1.56)
Body Material	Zinc	Aluminum	Aluminum	Aluminum

Series	Cv Flow Factor	
	In/Out	Out/Exhaust
14 Series 1/4	1.55	1.10
22 Series, 1/4	2.0	1.2
22 Series, 3/8	2.87	1.38
22 Series, 1/2	3.62	1.32
32 Series, 1/2	5.24	3.01
32 Series, 3/4	6.47	3.14
42 Series, 1	8.0	5.0

Wattage and Amperage	
110V AC	1.42 watts / 0.022 amps
230V AC	2.00 watts / 0.016 amps
24V AC	2.00 watts / 0.011 amps
24V DC	2.00 watts / 0.080 amps



Dimensions: Inches (mm)

Size	A	B	C	D	E	F	G	H	I	J
22	.51 (13)	2.9 (73)	2.1 (65)	6.3 (160)	.32 (8)	2.2 (58)	1.8 (46)	4.4 (112)	1.9 (48)	1.5 (40)
32	.25 (6)	3.2 (82)	3.0 (76)	6.9 (168)	.5 (13)	2.7 (68)	2.4 (61)	4.7 (121)	2.1 (55)	2.0 (51)
42	N/A	4.0 (102)	4.0 (102)	7.4 (188)	.49 (12)	2.47 (63)	3.26 (83)	5.4 (127)	2.0 (51)	3.2 (81)

How to Order

S 32 E - 04 B EGM

Model
S = Solenoid Quick Exhaust

Series
14
22
32
42

Style
E = Standard Solenoid Quick Exhaust Valve

Threads
- = NPTF
G* = G Tap (BSPP)
R = PT (BSPT)

Options
E = 110V AC 50/60 Hz
F = 230V AC 50/60 Hz
G = Gauge
J = 24V AC 50/60 Hz Coil
K = 24V DC Coil
L = Plug with Light
M = Muffler
N = No manual Override
P = Standard Black Plug Assembly
Q = 4 Pin Micro Connector
X = No Slide

Revision Level
B

Port Size
01 = 1/8 (14 Series)
02 = 1/4 (14 or 22 Series)
03 = 3/8 (22 Series)
04 = 1/2 (22 or 32 Series)
06 = 3/4 (32 or 42 Series)
08 = 1 (42 Series)

*Conforms to ISO Standards 1179-1 and 228-1

Pilot Operated “Soft Start” Quick Exhaust Valves

External Pilot - Style “C” – Available in three series S22, S32, S42

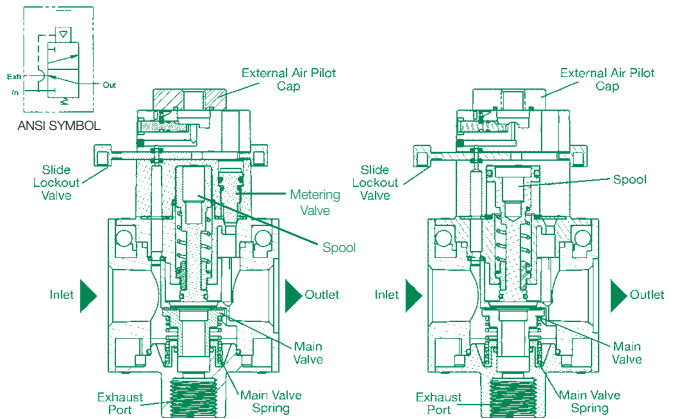
Pilot Operated “Soft Start” Quick Exhaust Valves

Internal Pilot - Style “P” – Available in three series S22, S32, S42

Pilot Operated “Quick Exhaust” Valves

External Pilot - Style “E” – Available in four series S14, S22, S32, S42

- Lockout feature (located in yellow slide valve) prevents unauthorized system pressurization. Available in three series S22, S32, S42 only
- High flow capacity Inlet to Outlet
- High exhaust capacity for quick depletion of downstream pressure
- Connects easily to **FLEXIBLOK®** Modular FRL systems



Air Piloted Soft Start Quick Exhaust Valve

Air Piloted Quick Exhaust Valve

Specifications

	14 Series	22 Series	32 Series	42 Series
Exhaust Ports NPTF (Gauge Ports NPTF)	1/4 (10-32 UNF)	1/2 (1/8)	1/2 (1/4)	3/4 (1/4)
Temperature Range °F (°C)	40-120 (4-50)	40-120 (4-50)	40-120 (4-50)	40-120 (4-50)
Min. Pressure PSI (BAR)	40 (2.76)	40 (2.76)	40 (2.76)	40 (2.76)
Max. Pressure PSIG (BAR)	150 (10)	150 (10)	150 (10)	150 (10)
Weight, lbs. (kg.)	1.25 (0.57)	1.15 (0.53)	1.75 (0.79)	3.45 (1.56)
Body Material	Zinc	Aluminum	Aluminum	Aluminum

Series	Cv	
	In/Out	Out/Exhaust
14 Series 1/4	1.55	1.10
22 Series, 1/4	2.0	1.2
22 Series, 3/8	2.87	1.38
22 Series, 1/2	3.62	1.32
32 Series, 1/2	5.24	3.01
32 Series, 3/4	6.47	3.14
42 Series, 1	8.0	5.0

How to Order

S 22 E - 04 B GMW

Model

S = Internally or Externally Pilot Operated Quick Exhaust Valves

Series

14
22
32
42

Style

C = Soft Start Quick Exhaust Valves (External Pilot 22, 32, 42 Series)
P = Soft Start Quick Exhaust Valves (Internal Pilot 22, 32, 42 Series)
E = Quick Exhaust Valves (External Pilot 14, 22, 32, 42 Series)

Threads

- = NPTF
G* = G Tap (BSPP)
R = PT (BSPT)

Options

G = Gauge
M = Muffler
W = External Air Pilot (Use for styles “C & E”)
X = No Slide on Valve

Revision Level

B

Port Size

01 = 1/8 (14 Series)
02 = 1/4 (14 or 22 Series)
03 = 3/8 (22 Series)
04 = 1/2 (22 or 32 Series)
06 = 3/4 (32 and 42 Series)
08 = 1 (42 Series)

*Conforms to ISO Standards 1179-1 and 228-1

Note: How to order examples for the three different models:

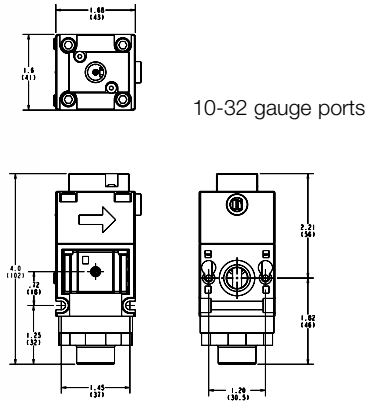
“C” Externally Piloted Soft Start Quick Exhaust Valve: eg S22C-04BW

“P” Internally Piloted Soft Start Quick Exhaust Valve: eg S22P-04

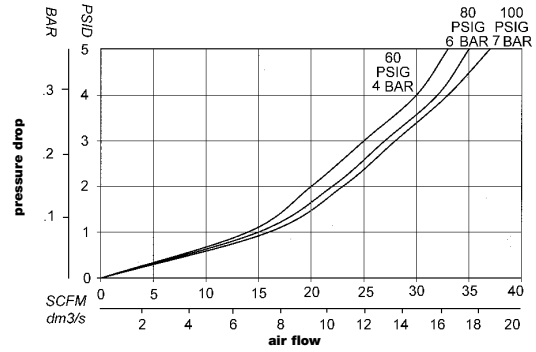
“E” Externally Piloted Quick Exhaust Valve: eg S22E-04BW

“C & E” externally pilot operated valves are not field convertible to solenoid operated. Consult factory.

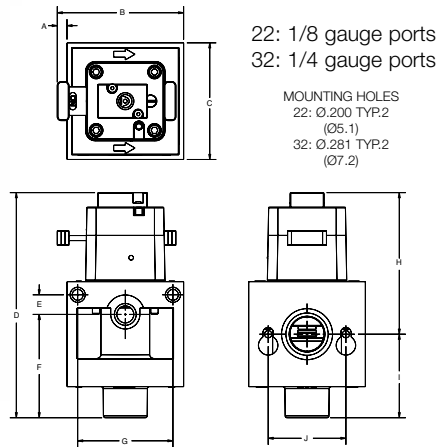
14 Series Internally/Externally Piloted Quick Exhaust Valve



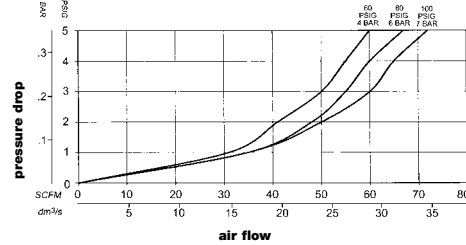
S14*-04BW (14 Series Pilot Operated Quick Exhaust Valve)



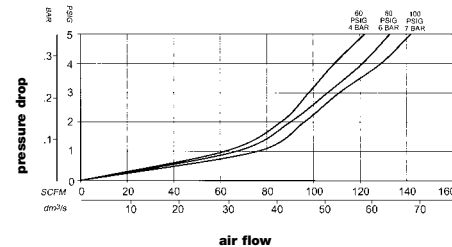
22 and 32 Series Internally/Externally Piloted Quick Exhaust Valve



S22*-04BW (22 Series Pilot Operated Soft Start Quick Exhaust Valve)



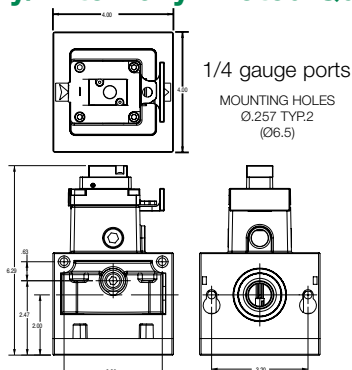
S32*-06BW (32 Series Pilot Operated Soft Start Quick Exhaust Valve)



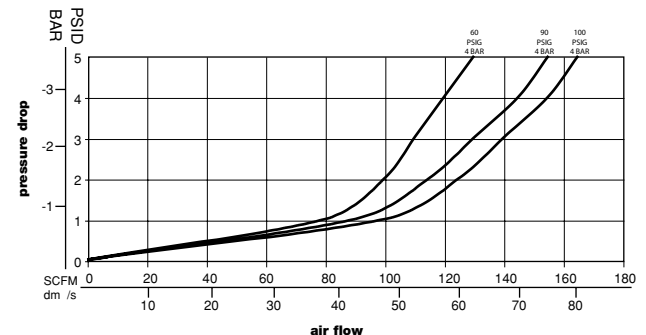
Dimensions: Inches (mm)

	A	B	C	D	E	F	G	H	I	J
22 Series	.51 (13)	2.9 (73)	2.1 (65)	5.2 (132)	.32 (8)	2.2 (58)	1.8 (46)	3.3 (84)	1.9 (48)	1.5 (38)
32 Series	.25 (6)	3.2 (82)	3.0 (76)	5.8 (147)	.5 (13)	2.7 (68)	2.4 (61)	3.6 (93)	2.6 (55)	2.0 (51)

42 Series Internally/Externally Piloted Quick Exhaust Valve



S42*-08BW (42 Series Pilot Operated Soft Start Quick Exhaust Valve)



* Muffler not included

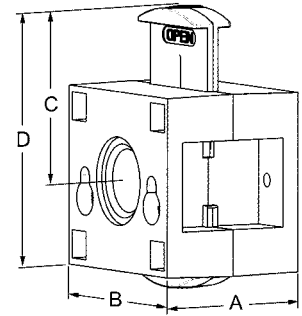
VS14, VS22, VS32, VSL42 Series

The **FLEXIBLOK®** Shut-Off Valve is an easy and inexpensive way to add shut off capability to an FRL. The valve includes a lockout feature designed for a padlock to prevent unauthorized downstream pressurization during maintenance. The shut off valve is usually mounted first in the assembly.

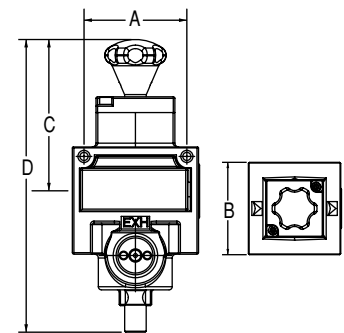
Max. inlet pressure: 200 PSI (13.7 bar)
250 PSI (17 bar) - 42 Series

- Relieves downstream pressure when closed
- Lockout feature prevents unauthorized pressurization of system

14, 22, 32 Series



42 Series



	Model #s			Dimensions					Flow Rates		
	NPTF	BSPP	BSPT	A	B	C	D	Ports	SCFM	L/M	
14	VS14-01	VS14G01	VS14R01	1.63 (41)	1.6 (41)	1.6 (41)	3 (76)	1/8	33	934	
	VS14-02	VS14G02	VS14R02	1.63 (41)	1.6 (41)	1.6 (41)	3 (76)	1/4			
22	VS22-02	VS22G02	VS22R02	2.0 (50)	2.16 (55)	1.86 (47)	3.1 (79)	1/4	67	1897	
	VS22-03	VS22G03	VS22R03	2.0 (50)	2.16 (55)	1.86 (47)	3.1 (79)	3/8			
	VS22-04	VS22G04	VS22R04	2.0 (50)	2.16 (55)	1.86 (47)	3.1 (79)	1/2			
32	VS32-04	VS32G04	VS32R04	2.25 (57)	3.0 (76)	2.57 (65)	4.2 (107)	1/2	132	3738	
	VS32-06	VS32G06	VS32R06	2.25 (57)	3.0 (76)	2.57 (65)	4.2 (107)	3/4			
42	VSL42-06	VSL42G06	VSL42R06	3.2 (83)	4.0 (102)	4.8 (122)	9.3 (236)	3/4	155	4389	
	VSL42-08	VSL42G08	VSL42R08	3.2 (83)	4.0 (102)	4.8 (122)	9.3 (236)	1			

NOTE: Add "N" to end of model number for non-relieving model (i.e. VS14-01N)
(Not available on 42 series models).



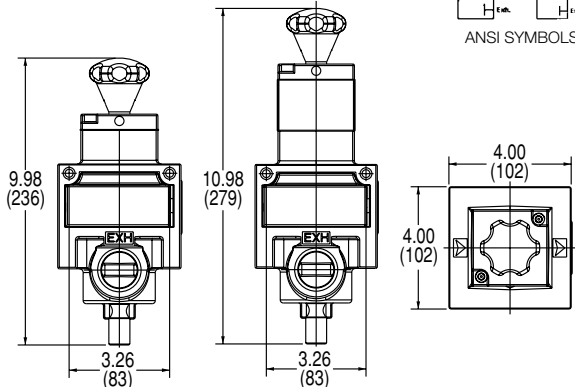
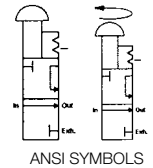
Quick Exhaust Lockout Valve
MVL42/MVT42 Series

- Rugged all metal design
- Placed last in an air preparation assembly. To be used as a system quick exhaust valve.

Specifications

Temperature Range: 40-120°F (4-50°C)
Max. Pressure: 250 PSIG (17 bar)
Weight: 4.95 lbs (2.25 kg)

*Additional information can be found in the Shut Off/Lock out valve section of the catalog.



CV Ratings

Model #	Cv	Cv
	In/Out	Out/Exhaust
MVL42-06Y	11.5	9
MVL42-08Y	12.5	10
MVT42-06Y	11.5	9
MVT42-08Y	12.5	10

How to Order

MVL 42 - 08 - Y

Model
MVL = Standard
MVT = Slo-Start™ Feature

Series
42

Options
A = Metal Muffler (ie MVT42-08AY)
B = Scissor Lockout (ie MVT42-08BY)

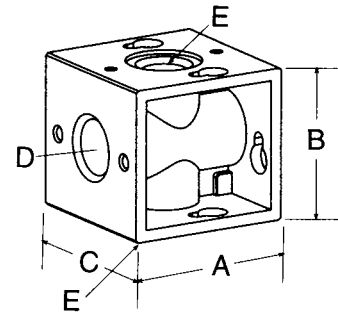
Port Size
06 = 3/4
08 = 1

Threads
- = NPTF
G = G Tap (BSPP)
(Conforms to ISO Standards 1179-1 and 228-1)
R = PT (BSPT)

DK14, DK22, DK32, DK42 Series - Diverter Blocks

Designed to give **FLEXIBLOK®** components total versatility, the diverter block mounts directly in line with the FRL combination. Additional components can then be manifold mounted in a compact manner that doesn't cause excessive pressure drop. There are two available tapped ports per unit.

Max. inlet pressure: 200 PSI (13.7 bar) (14, 22, 32 Series)
250 PSI (17 bar) (42 Series)

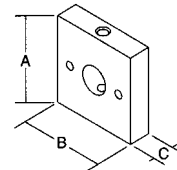


Series	Model #			Dimensions inches (mm)					Ports
	NPTF	BSPB	BSPT	A	B	C	D	E	
14	DK14-02	DK14G02	DK14R02	1.72 (44)	1.54 (39)	1.6 (41)	1/4	1/8	Tapped 1/4 NPTF In & Out with two 1/8 NPTF branches
22	DK22-03	DK22G03	DK22R03	2.16 (55)	2.00 (50)	2.16 (55)	1/2	3/8	Tapped 1/2 NPTF in & out with two 3/8 NPTF branches
32	DK32-04	DK32G04	DK32R04	3.00 (76)	2.70 (69)	3.00 (76)	3/4	1/2	Tapped 3/4 NPTF in & out with two 1/2 NPTF branches
42	DK42-06	DK42G06	DK42R06	4.00 (102)	3.40 (87)	4.00 (102)	3/4	3/4	In & Out and branches 3/4 with two 3/4 NPTF branches
42	DK42-08	DK42G08	DK42R08	4.00 (102)	3.40 (87)	4.00 (102)	1	1	In & Out and branches 1 with two 1 NPTF branches

HK14, HK22, HK32 Series - Diverter Plates

Diverter plates are designed to provide air signals in a compact space. Used individually or in combination, they can be used with gauges or switches to determine a pressure or pressure signal.

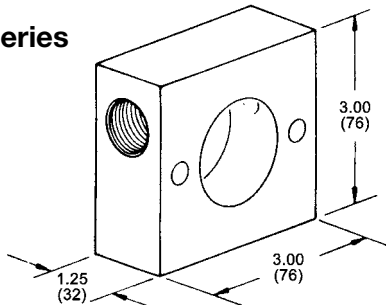
Max. inlet pressure: 200 PSI (13.7 bar)



Series	Model #			Dimensions inches (mm)			Outlet Port	Application
	NPTF	BSPB	BSPT	A	B	C		
14	HK14-01	HK14G01	HK14R01	1.54 (39)	1.50 (38)	.75 (19)	1/8	Mounts between two units
22	HK22-01	HK22G01	HK22R01	2.00 (51)	2.15 (55)	.75 (19)	1/8	Mounts between two units
32	HK32-01	HK32G01	HK32R01	3.00 (76)	3.00 (76)	.75 (19)	1/8	Mounts between two units

Rear-Ported End Plates

MR32 Series



Available only in the 32 Series, the Rear-Ported End Plate allows an FRL to be mounted flush with a surface and the piping to exit the rear of the combination.

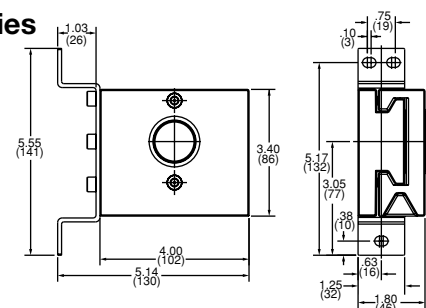
Max. inlet pressure: 200 PSI (13.7 bar)

How to Order

Model Number	Style	NPTF	Description
MR32A	A	1/2	Left rear porting
MR32B	B	1/2	Right side rear porting
MR32AB	A/B	1/2	Both rear ported plates

End Plates

MK42 Series



The 42 series easy slide end plate and mounting bracket kit is a unique option allowing a full FRL assembly to be quickly added or removed.

Max. inlet pressure: 250 PSI (17 bar)

How to Order

Port Size	Model #		
	NPTF	BSPB	BSPT
3/4	MK42AB-06	MK42ABG06	MK42ABR06
1	MK42AB-08	MK42ABG08	MK42ABR08

Bowl Drain Options

Automatic Float Drain - 'A' Option



The Auto Float Drain is installed into the bottom of the filter bowl. As the liquid level inside the bowl increases, the tire-like float lifts, allowing the liquid to drain. This drain should not be used in applications exceeding 175 PSI.

Model	For Series
AKF00	22, 32, 42 Series Autodrain only
AKF02	22, 32, 42 Series (inc. drain, bushing, o-ring)

Flexible Drain - 'B' Option



The Flexible Drain is as easy to use as pushing the stem to one side and allowing contents to expel. A popular option due to low cost and ease of use. This drain should not be used in applications exceeding 125 PSI.

Model	For Series
BKF02	14, 22, 32, 42 Series (inc. flexible rubber exterior and inner stem)

External Pulse Drain - 'J' Option



The External Pulse Drain is designed for use in the 12, 14 and 42 Series bowl but also works with the 22 and 32 Series. This inexpensive and reliable drain features an incorporated barbed fitting which fits 3/16 ID tubing for easy drainage of liquid and contaminant.

Model	For Series
JKF02	12, 14, 22, 32, 42 Series (includes bushing kit)
IDF-01	drain only

Metal Manual Drain - 'Q' Option



The Metal Manual Drain is a newer drain option for the **FLEXIBLOK®** line. Simply turn the drain counter-clockwise to expel bowl contents. Standard on 50 and 70 Series.

Model	For Series
QKF02	14, 22, 32, 42 Series (inc. drain, retaining clip, bushing, o-ring)

Manual Lever Drain - 'R' Option



The Manual Lever Drain allows for convenience and ease of use. Press down on the white lever to manually drain bowl contents. Available for all **FLEXIBLOK®** filters.

Model	For Series
RKF02	14, 22, 32, 42 Series Filters (inc. drain, bushing, clip, o-ring)

Manual Drain (Standard):

Manual Drain (Standard): This standard product is equipped with an internal barb fitting (1/4" I.D.) for drain tube connection.

StockBlok FRLs in standard combinations

StockBlok assemblies utilize one model number for standard configurations, complete with gauges. Each component is factory assembled and tested.

Each of the standard **StockBlok** combinations is a complete assembly. Bowl, drain, and fill options are available where applicable. Additional options are not available and, if required, components can be ordered as a **ModuBlok**™ combination (see page 29).

To order any of the **StockBlok** models without the Shut-Off Valve, replace the "V" in the part number with an "X" (i.e. M22-03XFCXX).

See individual component pages for specifications and dimensions.

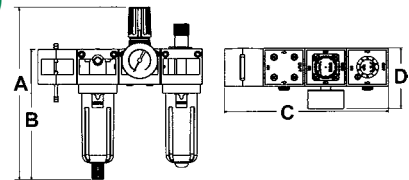


*All **StockBlok** model # assemblies on the next few pages are called out as NPT. For BSPP models replace the "-" with a "G". For BSPT models replace "-" with an "R"

Shut Off/Particulate Filter/Regulator/Lubricator (with Gauge)



Model #	Shut Off	Particulate Filter	Regulator	Lubricator
M14-01VFRLX	VS14-01	F14B-01	R14R-01G	L14L-01
M14-02VFRLX	VS14-02	F14B-02	R14R-02G	L14L-02
M22-02VFRLX	VS22-02	F22B-02	R22R-02G	L22L-02
M22-03VFRLX	VS22-03	F22B-03	R22R-03G	L22L-03
M22-04VFRLX	VS22-04	F22B-04	R22R-04G	L22L-04
M32-04VFRLX	VS32-04	F32B-04	R32R-04G	L32L-04
M32-06VFRLX	VS32-06	F32B-06	R32R-06G	L32L-06
M42-06VFRLX	VSL42-06	F42B-06	R42R-06G	L42L-06
M42-08VFRLX	VSL42-08	F42B-08	R42R-08G	L42L-08



Dimensions: Inches (mm)

14 Series:	A 7.90 (200)	B 5.84 (148)	C 6.72 (172)	D 3.1 (74)
22 Series:	A 10.02 (255)	B 7.62 (194)	C 9.32 (237)	D 3.42 (87)
32 Series:	A 12.32 (313)	B 9.12 (232)	C 11.25 (286)	D 4.10 (104)
42 Series:	A 17.4 (442)	B 12.6 (320)	C 16.0 (406)	D 5.3 (135)

A = Auto Drain (22, 32, 42 Series only)
B = Flexible Drain
C = CircleVision™ Sight Bowl
E = Endplates (42 Series only)
J = External Pulse Drain

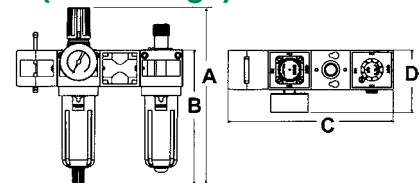
M = Metal Bowls w/ Sight Glass
F = Lubricator Quick Fill
Q = Metal Manual Drain
R = Manual Lever Drain

* To order this **StockBlok** model without a shutoff valve, replace the "V" in the model number with an "X" (ie. M42-08XVRLX).

Shut Off/Particulate Filter-Regulator/Diverter Block/Lubricator (with Gauge)



Model #	Shut Off	Particulate Filter-Regulator	Diverter Block	Lubricator
M14-01VPDLX	VS14-01	P14B-01G	DK14-02	L14L-01
M14-02VPDLX	VS14-02	P14B-02G	DK14-02	L14L-02
M22-02VPDLX	VS22-02	P22B-02G	DK22-03	L22L-02
M22-03VPDLX	VS22-03	P22B-03G	DK22-03	L22L-03
M22-04VPDLX	VS22-04	P22B-04G	DK22-03	L22L-04
M32-04VPDLX	VS32-04	P32B-04G	DK32-04	L32L-04
M32-06VPDLX	VS32-06	P32B-06G	DK32-04	L32L-06
M42-06VPDLX	VSL42-06	P42B-06G	DK42-06	L42L-06
M42-08VPDLX	VSL42-08	P42B-08G	DK42-06	L42L-08



Dimensions: Inches (mm)

14 Series:	A 7.90 (200)	B 5.84 (148)	C 6.72 (172)	D 3.1 (74)
22 Series:	A 9.93 (252)	B 7.62 (194)	C 9.11 (231)	D 3.41 (87)
32 Series:	A 12.32 (313)	B 9.12 (232)	C 11.25 (286)	D 4.10 (104)
42 Series:	A 17.4 (442)	B 12.6 (320)	C 16.0 (406)	D 5.3 (135)

A = Auto Drain (22,32,42 Series only)
B = Flexible Drain
C = CircleVision™ Sight Bowl
E = Endplates (42 Series only)
J = External Pulse Drain

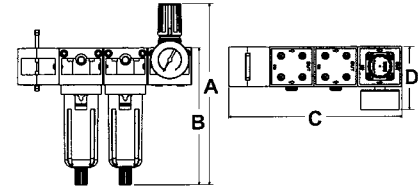
M = Metal Bowls w/ Sight Glass
F = Lubricator Quick Fill
Q = Metal Manual Drain
R = Manual Lever Drain

* To order this **StockBlok** model without a shutoff valve, replace the "V" in the model number with an "X" (ie. M42-08VPDLX).

Shut Off/Particulate Filter/Coalescing Filter/Regulator (with Gauge)



Model #	Shut Off	Particulate Filter	Coalescing Filter	Regulator
M14-01VFFRX	VS14-01	F14B-01	F14D-01	R14R-01G
M14-02VFFRX	VS14-02	F14B-02	F14D-02	R14R-02G
M22-02VFFRX	VS22-02	F22B-02	F22D-02	R22R-02G
M22-03VFFRX	VS22-03	F22B-03	F22D-03	R22R-03G
M22-04VFFRX	VS22-04	F22B-04	F22D-04	R22R-04G
M32-04VFFRX	VS32-04	F32B-04	F32D-04	R32R-04G
M32-06VFFRX	VS32-06	F32B-06	F32D-06	R32R-06G
M42-06VFFRX	VSL42-06	F42B-06	F42D-06	R42R-06G
M42-08VFFRX	VSL42-08	F42B-08	F42D-08	R42R-08G



Dimensions: Inches (mm)

- 14 Series:**
A 7.90 (200) **B** 5.84 (148) **C** 6.72 (172) **D** 3.1 (79)
- 22 Series:**
A 10.02 (255) **B** 7.62 (194) **C** 9.30 (237) **D** 3.42 (87)
- 32 Series:**
A 12.32 (313) **B** 9.12 (232) **C** 11.25 (286) **D** 4.10 (104)
- 42 Series:**
A 17.4 (442) **B** 12.6 (320) **C** 16.0 (406) **D** 5.3 (135)
- J** = External Pulse Drain
M = Metal Bowls w/ Sight Glass
Q = Metal Manual Drain
R = Manual Lever Drain

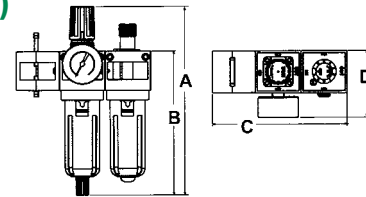
* To order this **StockBlok** model without a shutoff valve, replace the "V" in the model number with an "X" (ie. M42-08XFFRX).

- A** = Auto Drain (22,32,42 Series only)
B = Flexible Drain
C = CircleVision™ Sight Bowl
E = Endplates (42 Series only)

Shut Off/Coalescing Filter-Regulator/Lubricator (with Gauge)



Model #	Shut Off	Coalescing Filter-Regulator	Lubricator
M14-01VCLXX	VS14-01	C14D-01G	L14L-01
M14-02VCLXX	VS14-02	C14D-02G	L14L-02
M22-02VCLXX	VS22-02	C22D-02G	L22L-02
M22-03VCLXX	VS22-03	C22D-03G	L22L-03
M22-04VCLXX	VS22-04	C22D-04G	L22L-04
M32-04VCLXX	VS32-04	C32D-04G	L32L-04
M32-06VCLXX	VS32-06	C32D-06G	L32L-06
M42-06VCLXX	VSL42-06	C42D-06G	L42L-06
M42-08VCLXX	VSL42-08	C42D-08G	L42L-08



Dimensions: Inches (mm)

- 14 Series:**
A 7.90 (200) **B** 5.84 (148) **C** 5.04 (129) **D** 3.1 (79)
- 22 Series:**
A 7.93 (252) **B** 7.62 (194) **C** 6.95 (177) **D** 3.42 (87)
- 32 Series:**
A 12.32 (313) **B** 9.12 (232) **C** 8.25 (210) **D** 4.10 (103)
- 42 Series:**
A 17.4 (442) **B** 12.6 (320) **C** 12.0 (305) **D** 3.5 (135)
- J** = External Pulse Drain
M = Metal Bowls w/ Sight Glass
F = Lubricator Quick Fill
Q = Metal Manual Drain
R = Manual Lever Drain

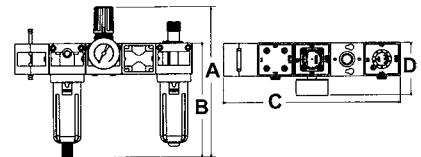
* To order this **StockBlok** model without a shutoff valve, replace the "V" in the model number with an "X" (ie. M42-08XFRLX).

- A** = Auto Drain (22, 32, 42 Series only)
B = Flexible Drain
C = CircleVision™ Sight Bowl
D = 3 Micron Internal Prefilter
E = Endplates (42 Series only)

Shut Off/Particulate Filter/Regulator/Diverter Block/Lubricator (with Gauge)



Model #	Shut Off	Particulate Filter	Regulator	Diverter Block	Lubricator
M14-01VFRDL	VS14-01	F14B-01	R14R-01G	DK14-02	L14L-01
M14-02VFRDL	VS14-02	F14B-02	R14R-02G	DK14-02	L14L-02
M22-02VFRDL	VS22-02	F22B-02	R22R-02G	DK22-03	L22L-02
M22-03VFRDL	VS22-03	F22B-03	R22R-03G	DK22-03	L22L-03
M22-04VFRDL	VS22-04	F22B-04	R22R-04G	DK22-03	L22L-04
M32-04VFRDL	VS32-04	F32B-04	R32R-04G	DK32-04	L32L-04
M32-06VFRDL	VS32-06	F32B-06	R32R-06G	DK32-04	L32L-06
M42-06VFRDL	VSL42-06	F42B-06	R42R-06G	DK42-06	L42L-06
M42-08VFRDL	VSL42-08	F42B-08	R42R-08G	DK42-08	L42L-08



Dimensions: Inches (mm)

- 14 Series:**
A 7.90 (200) **B** 5.84 (148) **C** 8.4 (215) **D** 3.1 (79)
- 22 Series:**
A 10.02 (255) **B** 7.62 (193) **C** 11.50 (292) **D** 3.42 (87)
- 32 Series:**
A 12.32 (313) **B** 9.12 (232) **C** 14.25 (362) **D** 4.10 (103)
- 42 Series:**
A 17.4 (442) **B** 12.6 (320) **C** 20.0 (508) **D** 3.5 (135)
- J** = External Pulse Drain
M = Metal Bowls w/ Sight Glass
F = Lubricator Quick Fill
Q = Metal Manual Drain
R = Manual Lever Drain

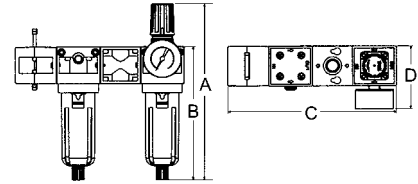
* To order this **StockBlok** model without a shutoff valve, replace the "V" in the model number with an "X" (ie. M42-08XFRLX).

- A** = Auto Drain (22, 32, 42 Series only)
B = Flexible Drain
C = CircleVision™ Sight Bowl
D = 3 Micron Internal Prefilter
E = Endplates (42 Series only)

Shut Off/Particulate Filter/Diverter Block/Coalescing Filter-Regulator (with Gauge)



Model #	Shut Off	Particulate Filter	Diverter Block	Coalescing Filter-Regulator
M14-01VFDCX	VS14-01	F14B-01	DK14-02	C14D-01G
M14-02VFDCX	VS14-02	F14B-02	DK14-02	C14D-02G
M22-02VFDCX	VS22-02	F22B-02	DK22-03	C22D-02G
M22-03VFDCX	VS22-03	F22B-03	DK22-03	C22D-03G
M22-04VFDCX	VS22-04	F22B-04	DK22-03	C22D-04G
M32-04VFDCX	VS32-04	F32B-04	DK32-04	C32D-04G
M32-06VFDCX	VS32-06	F32B-06	DK32-04	C32D-06G
M42-06VFDCX	VSL42-06	F42B-06	DK42-06	C42D-06G
M42-08VFDCX	VSL42-08	F42B-08	DK42-08	C42D-08G



Dimensions: Inches (mm)

14 Series:	A 7.90 (200)	B 5.84 (148)	C 6.72 (172)	D 3.1 (79)
22 Series:	A 9.93 (252)	B 7.61 (193)	C 9.11 (231)	D 3.42 (87)
32 Series:	A 12.32 (313)	B 9.12 (232)	C 11.25 (286)	D 4.10 (104)
42 Series:	A 17.4 (442)	B 12.6 (320)	C 6.3 (135)	D 16.0 (406)

* To order this **StockBlok** model without a shutoff valve, replace the "V" in the model number with an "X" (ie. M42-08XFDCX).

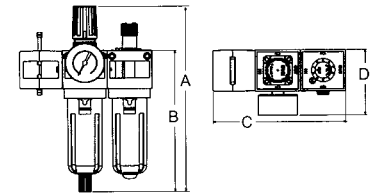
A = Auto Drain (22,32,42 Series only)
B = Flexible Drain
C = CircleVision™ Sight Bowl
E = Endplates (42 Series only)
F = Lubricator Quick Fill (42 Series only)

J = External Pulse Drain
M = Metal Bowls w/ Sight Glass
Q = Metal Manual Drain
R = Manual Lever Drain

Shut Off/Particulate Filter-Regulator/Lubricator (with Gauge)



Model #	Shut Off	Particulate Filter-Regulator	Lubricator
M14-01VPLXX	VS14-01	P14B-01G	L14L-01
M14-02VPLXX	VS14-02	P14B-02G	L14L-02
M22-02VPLXX	VS22-02	P22B-02G	L22L-02
M22-03VPLXX	VS22-03	P22B-03G	L22L-03
M22-04VPLXX	VS22-04	P22B-04G	L22L-04
M32-04VPLXX	VS32-04	P32B-04G	L32L-04
M32-06VPLXX	VS32-06	P32B-06G	L32L-06
M42-06VPLXX	VSL42-06	P42B-06G	L42L-06
M42-08VPLXX	VSL42-08	P42B-08G	L42L-08



Dimensions: Inches (mm)

14 Series:	A 7.90 (200)	B 5.84 (148)	C 5.04 (129)	D 3.1 (79)
22 Series:	A 7.93 (252)	B 7.62 (194)	C 6.95 (177)	D 3.42 (87)
32 Series:	A 12.32 (313)	B 9.12 (232)	C 8.25 (210)	D 4.10 (103)
42 Series:	A 17.4 (442)	B 12.6 (320)	C 5.3 (135)	D 12.0 (305)

* To order this **StockBlok** model without a shutoff valve, replace the "V" in the model number with an "X" (ie. M42-08XPLXX).

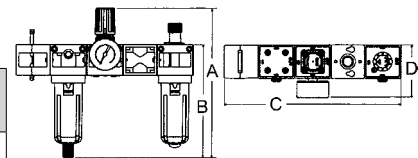
A = Auto Drain (22, 32, 42 Series only)
B = Flexible Drain
C = CircleVision™ Sight Bowl
E = Endplates (42 Series only)
J = External Pulse Drain

M = Metal Bowls w/ Sight Glas
F = Lubricator Quick Fill
Q = Metal Manual Drain
R = Manual Lever Drain

Shut Off/Particulate Filter/Diverter Block/Regulator/Lubricator (with Gauge)



Model #	Shut Off	Particulate Filter	Diverter Block	Regulator	Lubricator
M14-01VFDRL	VS14-01	F14B-01	DK14-02	R14R-01G	L14L-01
M14-02VFDRL	VS14-02	F14B-02	DK14-02	R14R-02G	L14L-02
M22-02VFDRL	VS22-02	F22B-02	DK22-03	R22R-02G	L22L-02
M22-03VFDRL	VS22-03	F22B-03	DK22-03	R22R-03G	L22L-03
M22-04VFDRL	VS22-04	F22B-04	DK22-03	R22R-04G	L22L-04
M32-04VFDRL	VS32-04	F32B-04	DK32-04	R32R-04G	L32L-04
M32-06VFDRL	VS32-06	F32B-06	DK32-04	R32R-06G	L32L-06
M42-06VFDRL	VSL42-06	F42B-06	DK42-06	R42R-06G	L42L-06
M42-08VFDRL	VSL42-08	F42B-08	DK42-08	R42R-08G	L42L-08



Dimensions: Inches (mm)

14 Series:	A 7.90 (200)	B 5.84 (148)	C 8.4 (215)	D 3.1 (79)
22 Series:	A 10.02 (255)	B 7.62 (194)	C 11.50 (292)	D 3.42 (87)
32 Series:	A 12.32 (313)	B 9.12 (232)	C 14.25 (362)	D 4.10 (104)
42 Series:	A 17.4 (442)	B 12.6 (320)	C 5.3 (135)	D 20.0 (508)

* To order this **StockBlok** model without a shutoff valve, replace the "V" in the model number with an "X" (ie. M42-08XFDRLL).

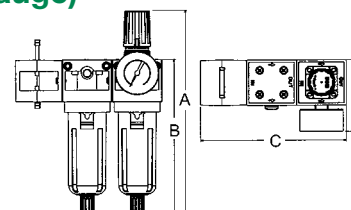
A = Auto Drain (22, 32, 42 Series only)
B = Flexible Drain
C = CircleVision™ Sight Bowl
E = Endplates (42 Series only)
J = External Pulse Drain

M = Metal Bowls w/ Sight Glas
F = Lubricator Quick Fill
Q = Metal Manual Drain
R = Manual Lever Drain

Shut Off/Particulate Filter/Coalescing Filter-Regulator (with Gauge)



Model #	Shut Off	Particulate Filter	Coalescing/Regulator
M14-01VFCXX	VS14-01	F14B-01	C14D-01G
M14-02VFCXX	VS14-02	F14B-02	C14D-02G
M22-02VFCXX	VS22-02	F22B-02	C22D-02G
M22-03VFCXX	VS22-03	F22B-03	C22D-03G
M22-04VFCXX	VS22-04	F22B-04	C22D-04G
M32-04VFCXX	VS32-04	F32B-04	C32D-04G
M32-06VFCXX	VS32-06	F32B-06	C32D-06G
M42-06VFCXX	VSL42-06	F42B-06	C42D-06G
M42-08VFCXX	VSL42-08	F42B-08	C42D-08G



Dimensions: Inches (mm)

14 Series:	A 7.90 (200)	B 5.84 (148)	C 5.04 (129)	D 3.1 (79)
22 Series:	A 9.93 (252)	B 7.62 (193)	C 6.95 (177)	D 3.42 (87)
32 Series:	A 12.32 (313)	B 9.12 (232)	C 8.25 (210)	D 4.10 (104)
42 Series:	A 17.4 (442)	B 12.6 (320)	C 5.3 (135)	D 12.0 (305)

* To order this **StockBlok** model without a shutoff valve, replace the "V" in the model number with an "X" (ie. M42-08XFCXX).

A = Auto Drain (22,32,42 Series only)
B = Flexible Drain
C = CircleVision™ Sight Bowl
E = Endplates (42 Series only)

J = External Pulse Drain
M = Metal Bowls w/ Sight Glass
Q = Metal Manual Drain
R = Manual Lever Drain

ModuBlok™ Combination models



MOD22-08

Station Position	Description	Model Number
1	Shut-Off Valve	VS22-03
2	Particulate Filter	F22B-03
3	Coalescer w/ metal bowl and pulse drain	F22D-03JM
4	Diverter Block	DK22-03
4T	Regulator	R22R-03
4B	Pressure Switch	PS180CAN02
5	Regulator w/ gauge	R22R-03G
6	Lubricator	L22L-03

NEED MORE PARTS AND INFORMATION?

- See page 26 for more information on available drain options.

About ModuBlok™ Assemblies

The **FLEXIBLOK®** modular system is designed to connect individual components into a complete assembly. Sometimes it is necessary to order an assembly using additional or non-standard components or combinations. The **ModuBlok™** system makes it easy to order non-standard combinations.

As with all other components and combinations, all modular assemblies come factory tested and approved and assembled complete. For more information on flow, dimensions, options, and accessories, see individual component pages.

Because of the many possible combinations when utilizing modular systems, it is recommended that complex stations include a schematic drawing. When ordering, specify all components at each station, based on the example to the left.

How to label diverter blocks

When using a diverter block, indicate all units at that station before continuing. If additional units are mounted above the diverter block, use the letter 'T' (for 'top') as well as a letter sequence (TA, TB, TC, etc.) starting from the diverter block, and continuing out. If units are placed below the diverter block, begin the two letter alphabetic sequence with the letter 'B' (for bottom) as well as a letter sequence (BA, BB, BC, etc.) starting with the diverter block and continuing outward. Continue in this pattern until all units are placed correctly.

Reducing Bushings

Reducing bushings may be required to connect some components (i.e. pressure switches, etc).

Series	Size
22	3/8 to 1/4 or 3/8 to 1/8
32	1/2 to 1/4 or 1/2 to 1/8
42	Not necessary as diverter block has 1/4 indicator ports.

L1 AND L2 Series Air Prep to Valve Adapter

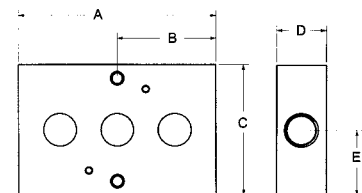


Application

The Numatics L1 and L2 Series Valve Adapters, when used with a coalescing regulator ('piggyback') equipped with a pleated prefilter coalescing element and the specified valve, provides a low-cost, complete control package. This design eliminates fittings and potential air leaks - thus reducing cost, space, and installation time.

Features

- Modular adaptable to 22 or 32 Series **FLEXIBLOK®** products.
- Easy installation and service.



Dimensions: Inches (mm)

Series	A	B	C	D	E
L1A22	2.5 (64)	1.25 (32)	2 (51)	1 (25)	.75 (19)
L2A22	3 (76)	1.5 (38)	2 (51)	1 (25)	.75 (19)
L1A32	3 (76)	1.5 (38)	3 (76)	1.5 (38)	.75 (19)
L2A32	3 (76)	1.5 (38)	3 (76)	1.5 (38)	.75 (19)

How to Order

Model Number	Description
L1A22	L1 Series valve adapter for use with 22 Series air preparation products
L2A22	L2 Series valve adapter for use with 22 Series air preparation products
L1A32	L1 Series valve adapter for use with 32 Series air preparation products
L2A32	L2 Series valve adapter for use with 32 Series air preparation products

FLEXIBLOK® Coalescing Filter

Element Replacement Kits Filter & Filter-Reg includes filter element and seal	
Kit #	Description
14 Series	
EKF12C	0.7 micron element
EKF12CD	0.7 micron element with prefilter
EKF12D	0.3 micron element
EKF12DD	0.3 micron element with prefilter
EKF12E	0.1 micron element
EKF12ED	0.1 micron element with prefilter
EKF12F	adsorbing element

22 Series	
EKF22C	0.7 micron element
EKF22CD	0.7 micron element with prefilter
EKF22D	0.3 micron element
EKF22DD	0.3 micron element with prefilter
EKF22E	0.1 micron element
EKF22ED	0.1 micron element with prefilter
EKF22F	adsorbing element

32 Series	
EKF32C	0.7 micron element
EKF32CD	0.7 micron element with prefilter
EKF32D	0.3 micron element
EKF32DD	0.3 micron element with prefilter
EKF32E	0.1 micron element
EKF32ED	0.1 micron element with prefilter
EKF32F	adsorbing element

42 Series	
EKF42C	.7 micron element
EKF42CD	.7 micron element with prefilter
EKF42D	.3 micron element
EKF42DD	.3 micron element with prefilter
EKF42E	.1 micron element
EKF42ED	.1 micron element with prefilter
EKF42F	adsorbing element

DPI Replacement Kits includes DPI assembly	
Kit #	Description
UK600	14 Series DPI replacement kit
DPI22	22 Series DPI replacement kit
DPI32	32/42 Series DPI replacement kit

Bowl Replacement Kits Filter & Filter-Reg includes bowl and o-ring	
Kit #	Description
14 Series	
BKF12	polycarbonate bowl with guard
BKF12M	metal bowl
BKF12C	Circle vision bowl

22 Series	
BKF22	polycarbonate bowl
BKF22C	CircleVision™ bowl
BKF22M	metal bowl

32 & 42 Series	
BKF32	polycarbonate bowl
BKF32C	CircleVision™ bowl
BKF32M	metal bowl

To order the bowl replacement kit with a drain, specify the drain suffix in the kit number (keeping suffixes in alphabetical order). For example, to order an external pulse drain with a BKF12 kit, order as **BKF12B**. To order an external pulse drain with a BKF12M kit, order as **BKF12JM**. Drain suffixes are as follows: B=flexible drain, J=external pulse drain, Q=metal manual drain, R=manual lever drain. See page 24 for additional drain option information.

Bowl Replacement Kits Lubricators includes bowl and o-ring	
Kit #	Description
BKL12	12 & 14 Series, polycarbonate bowl
BKL12M	12 & 14 Series, metal bowl
BKL22	22 Series, polycarbonate bowl
BKL22C	22 Series, CircleVision™ bowl
BKL22M	22 Series, metal bowl
BKL32	32 Series, polycarbonate bowl
BKL32C	32 Series, CircleVision™ bowl
BKL32M	32 Series, metal bowl

To order the bowl replacement kit with a drain or buttonhead fill, specify the appropriate suffix in the kit number (keeping suffixes in alphabetical order). For example, to order a drain with a BKL12 kit, order as **BKF12K**. To order a buttonhead fill with a BKL22M kit, order as **BKL22FM**. Drain suffixes are as follows: F=buttonhead fill, K=drain.

Replacement Drain Kits	
Kit #	Description
AKF02	auto float drain kit (inc. drain, bushing, clip, o-ring)
BKF02	flexible drain (includes drain ass'y)
DKF02	standard drain (inc. drain ass'y)
QKF02	metal manual drain (inc. drain, bushing, clip, o-ring)
JKF02	external pulse drain (inc. drain, bushing, clip, o-ring)
RKF02	manual lever drain (inc. drain, bushing, clip, o-ring)

FLEXIBLOK® Particulate Filter

Element Replacement Kits Filter & Filter-Reg includes bowl and o-ring	
Kit #	Description
EKF12A	12/14 Series, 40 micron element
EKF12B	12/14 Series, 5 micron element
EKF22A	22 Series, 40 micron element
EKF22B	22 Series, 5 micron element
EKF32A	32 Series, 40 micron element
EKF32B	32 Series, 5 micron element
EKF42A	42 Series, 40 micron element
EKF42B	42 Series, 5 micron element

Filter Repair Kits includes Turbo-Flo, element retainer, quiet zone baffle, deflector retainer	
Kit #	Description
RKF12B	12/14 Series, 5 micron element
RKF22B	22 Series, 5 micron element
RKF32B	32 Series, 5 micron element
RKF42B	42 Series, 5 micron element

FLEXIBLOK® Regulator

Regulator & F/R Repair Cage Kits includes bonnet with main spring (0-125 psi), adjusting screw and adjusting knob	
Kit #	Description
RKC14	14 Series
RKC22	22 Series
RKC32	32 Series
RKC42	42 Series

Diaphragm Repair Kits includes diaphragm, inner valve assembly and inner valve spring	
Kit #	Description
RKR12R	12 & 14 Series, relieving kit
RKR22R	22 Series, relieving kit
RKR32R	32 Series, relieving kit
RKR42R	42 Series, relieving kit
RKR12N	12 & 14 Series, non-relieving kit
RKR22N	22 Series, non-relieving kit
RKR32N	32 Series, non-relieving kit
RKR42N	42 Series, non-relieving kit

Piston Repair Kits includes piston assembly, inner valve assembly and inner valve spring	
Kit #	Description
PKR12R	12 Series, relieving kit
PKR12N	non-relieving kit
PKR14R	14 Series, relieving kit
PKR22R	22 Series, relieving kit
PKR32R	32 Series, relieving kit
PKR42R	42 Series, relieving kit
PKR14N	14 Series, non-relieving kit
PKR22N	22 Series, non-relieving kit
PKR32N	32 Series, non-relieving kit
PKR42N	42 Series, relieving kit

Replacement Adjustment Knob Kits includes adjustment knob only	
Kit #	Description
R12-03	12 & 14 Series, adjustment knob
R22-03B	22 Series, adjustment knob
R32-03	32 Series, adjustment knob
R32-03	42 Series, adjustment knob

FLEXIBLOK® Pilot Operated Regulators

Diaphragm Repair Kits includes upper & lower diaphragm, inner valve assembly and inner valve spring	
Kit #	Description
RKW22	22 Series, relieving kit
RKW32	32 Series, relieving kit
RKW42	42 Series, relieving kit
RKW22N	22 Series, non-relieving kit
RKW32N	32 Series, non-relieving kit
RKW42N	42 Series, non-relieving kit

FLEXIBLOK® Lubricator

Lubricator Dome Repair Kits includes adjustment knob and adjustment assembly	
Kit #	Description
RKL12T	12/14 Series, lub. dome repair kit
	22 Series, lub. dome repair kit
	32 Series, lub. dome repair kit
	42 Series, lub. dome repair kit

Replacement Adjustment Knob Kits includes adjustment knob only	
Kit #	Description
L32-06	12/14 Series, adjustment knob
	22 Series, adjustment knob
	32 Series, adjustment knob

FLEXIBLOK® Shut-Off Valve

Shut-Off Valve Repair Kits includes slide and 2 o-rings	
Kit #	Description
RKSV12	12 Series, shut-off valve repair kit
RKSV14	14 Series, shut-off valve repair kit
RKSV22	22 Series, shut-off valve repair kit
RKSV32	32 Series, shut-off valve repair kit

Mounting Brackets includes bracket and panel nut	
Kit #	Description
PK12	12 & 14 Series mounting bracket
PK22	22 Series mounting bracket
PK32	32 Series mounting bracket

FLEXIBLOK® Sol. Soft Start Quick Exhaust

Solenoid Replacement Kits includes coil only (fits 22 or 32 Series)	
Kit #	Description
S32-44A	110V (22 or 32 Series)
S32-45A	230V (22 or 32 Series)
S32-46A	24V AC (22 or 32 Series)
S32-43A	24V DC (22 or 32 Series)

NOTE: Numatics FRL does not recommend the disassembly of a solenoid soft start unit outside of our factory.

FLEXIBLOK® Screws & O-Rings

Screw & O-Ring Replacement Kits NOTE: Numatics FRL does not recommend the disassembly of a solenoid soft start unit outside of our factory.	
Kit #	Description
KAVS12-06	12 Series, 2 81 mm tie rods, 2 106mm tie rods, 4 nuts
BKAVS12-06	12 Series, 20 81 mm tie rods, 20 106mm tie rods, 40 nuts
KG12	12 Series, inc. 2 screws, 1 o-ring (M4 x 12mm)
KG12	12 Series bulk pack 100 screws, 50 o-rings (M4 x 12mm)
KG14	14 Series, 2 screws, 1 o-ring (M4 x 12mm)
KG14	14 Series bulk pack 100 screws, 50 o-rings (M4 x 12mm)
KG22	22 Series, inc. 2 screws, 1 o-ring (M5 x 12mm)
KG22	22 Series bulk pack 100 screws, 50 o-rings (M5 x 12mm)
KG32	32 Series, inc. 2 screws, 1 o-ring (M6 x 16mm)
KG32	32 Series bulk pack 100 screws, 50 o-rings (M6 x 16mm)
KG42	42 Series, inc. 2 screws, 1 o-ring (M8 x 1.25)
KG42	42 Series bulk pack 100 screws, 50 o-rings (M8 x 1.25)



World Class Supplier of Pneumatic Components



World Headquarters

USA Numatics, Incorporated

46280 Dylan Drive
Novi, Michigan 48377

P: 248-596-3200
F: 248-596-3201

Canada Numatics, Ltd

P: 519-758-2700
F: 519-758-5540

México - Ascomatica SA de CV

P: 52 55 58 09 56 40 (DF y Area metropolitana)
P: 01 800 000 ASCO (2726) (Interior de la República)
F: 52 55 58 09 56 60

Brazil Ascoval Ind.e Comercio Ltda

P: (55) 11-4208-1700
F: (55) 11-4195-3970