

Rosemount™ 4600 Oil & Gas Panel Pressure Transmitter



- A compact, lightweight, all-welded stainless steel design
- Up to 40:1 rangeability for increased flexibility and reduced inventories
- 3-year stability guarantee reduces maintenance costs
- Leading edge capacitance sensor with integral temperature measurement for improved total performance
- 4–20 mA HART® Smart capabilities and 0.25% of calibrated span reference accuracy

Legendary Rosemount Performance, Customized for your Panel Applications

The Rosemount 4600 Oil & Gas Panel Pressure Transmitter is a compact, reliable transmitter designed to meet your panel-mount monitoring needs. The transmitter continues the Emerson™ tradition of delivering superior performance, industry leading reliability, and exceptional value.

A compact, lightweight, all-welded stainless steel design

You asked for it and we've delivered — the stability, performance and reliability of Rosemount products are now available in a compact transmitter for your space and weight constrained panel applications. The entire transmitter weighs less than 2.1 lb. (0.95 kg) and the all-welded, hermetic enclosure maximizes reliability by minimizing environmental effects, such as salt spray and humidity, on the electronics and sensor.

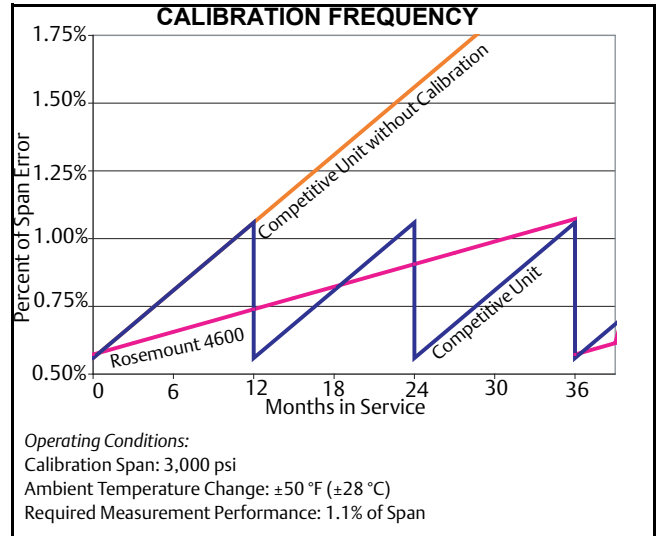
Up to 40:1 rangeability for increased flexibility and reduced inventories

Emerson understands that oil and gas well pressures are sometimes unpredictable, and that's why we've incorporated 40:1 rangeability into the Rosemount 4600. Not only does 40:1 rangeability allow you incredible flexibility, it also lowers your transmitter inventories by allowing you to measure pressure ranges from 20 psi to 20,000 psi with only four transmitter ranges.

Leading edge capacitance sensor with integral temperature measurement for improved total performance

Integral temperature measurement means the Rosemount 4600 provides superior temperature compensation and therefore, a more precise pressure measurement over the entire operating temperature range.

3-year stability guarantee reduces maintenance costs



Most competitive devices can drift out of specification after just a few months and require recalibration, which consumes both your time and money. The Rosemount 4600 carries a 3-year “Set and Forget” stability guarantee to reduce the frequency of calibration and lower maintenance costs.

4-20 mA HART Smart capabilities and 0.25% of calibrated span reference accuracy

The HART protocol enables quick and easy reranging, calibration and troubleshooting for nearly effortless field adjustments. As always, reference accuracy is specified as a percent of calibrated span, not as a percent of full scale, so you're guaranteed 0.25% reference accuracy whether you're measuring 20,000 psi or 20 psi.

Contents

[Legendary Rosemount Performance, Customized for your Panel Applications](#) 2
[Ordering Information](#) 3

[Specifications](#) 5
[Product Certifications](#) 8
[Dimensional Drawings](#) 11

Ordering Information

Specification and selection of product materials, options, or components must be made by the purchaser of the equipment. See [page 7](#) for more information on Material Selection.

Table 1. Rosemount 4600 Oil & Gas Pressure Transmitter Ordering Information

The starred offerings (★) represent the most common options and should be selected for best delivery. The non-starred offerings are subject to additional delivery lead time.

Model	Transmitter type	
4600	Oil and gas panel pressure transmitter	
Measurement type		
G	Sealed gauge	★
A	Absolute	★
Pressure range		
2	0-20 to 0-150 psi	★
4	0-125 to 0-5000 psi	★
5	0-330 to 0-10,000 psi	★
6	0-660 to 0-20,000 psi (available only with H11)	★
Isolating diaphragm/process connection materials⁽¹⁾		
2	316L SST	★
3	Alloy C-276	★
Process connection style		
E09 ⁽²⁾	1/4-18 NPT female	★
E11 ⁽³⁾	1/2-14 NPT female	★
H11 ⁽⁴⁾	Coned and threaded, compatible with autoclave type F-250-C	★
Output		
A	4-20 mA with digital signal based on HART protocol	★
Electrical connection		
5A	1/2-14 NPT male with 72-in. Flying Lead	★

Options (include with selected model number)

Extended product warranty		
WR3	3-year limited warranty	★
WR5	5-year limited warranty	★
Software configuration		
C1	Custom software configuration (CDS required with order)	★
Alarm limits		
C6	Custom alarm and saturation signal levels, high alarm	★
C7	Custom alarm and saturation signal levels, low alarm	★
Hardware adjustments		
D1	Zero and span adjustments	★

Table 1. Rosemount 4600 Oil & Gas Pressure Transmitter Ordering Information

The starred offerings (★) represent the most common options and should be selected for best delivery. The non-starred offerings are subject to additional delivery lead time.

External ground screw assembly		
D4	External ground screw assembly	★
Product certifications		
E1	ATEX Flameproof	★
I1	ATEX Intrinsic Safety	★
N1	ATEX Type n	★
K1	ATEX Flameproof, Intrinsic Safety, Type n (combination of E1, I1, and N1)	★
ND	ATEX Dust Ignition-Proof	★
E2	INMETRO Flameproof	★
E5	FM Approval Explosionproof	★
I5	FM Approval Intrinsic Safety, Non-incendive	★
K5	FM Approval Explosionproof, Intrinsic Safety, Non-incendive (combination of E5 and I5)	★
E6	CSA Explosionproof, Division 2	★
I6	CSA Intrinsic Safety	★
K6	CSA Explosionproof, Intrinsic Safety, Division 2 (combination of E6 and I6)	★
E7	IECEx Flameproof, Dust Ignition-proof	★
EM	Technical Regulations Customs Union (EAC) Flameproof	★
IM	Technical Regulations Customs Union (EAC) Intrinsic Safety	★
KM	Technical Regulation Customs Union (EAC) Flameproof and Intrinsic Safety	★
KA	ATEX/CSA Flameproof and Intrinsic Safety (combination of E1, I1, E6, and I6)	★
KB	FM Approval and CSA Explosionproof and Intrinsic Safety (combination of E5, E6, I5, and I6)	★
KC	FM Approval and ATEX Explosionproof and Intrinsic Safety (combination of E5, E1, I5, and I1)	★
Calibration certifications		
Q4	Calibration Data Certificate consistent with ISO 104742.1 or EN 10204 2.1	★
Material traceability certification		
Q8	Material Traceability Certification per EN 10204 3.1B	★
Transient protection		
T1	Transient protection	★
Quality certification for safety		
QS	Prior-use certificate of FMEDA data	★
Typical model number: 4600 G 4 2 E11 A 5A WR5 D1 K5		

1. Materials of Construction comply with recommendations per NACE® MR0175/ISO 15156 for sour oilfield production environments. Environmental limits apply to certain materials. Consult latest standard for details. Selected materials also conform to NACE MR0103 for sour refining environments.
2. Not available with Pressure Range 6.
3. Not available with Pressure Range 5 or 6.
4. Only available with Pressure Range 5 or 6.

Specifications

Performance specifications

For zero-based spans, reference conditions, silicone oil fill, SST materials, 1/2-in.-14 NPT process connections, digital trim values set to equal range points. Does not include any error due to the effects of sealed gauge.

Conformance to specification (± 3 Sigma)

Technology leadership, advanced manufacturing techniques and statistical process control ensure specification conformance to at least ± 3 sigma.

Reference accuracy

Includes the effects of terminal based linearity, hysteresis, and repeatability.

Range 2: $\pm 0.25\%$ of calibrated span from 1:1 to 7.5:1 rangedown

Range 4: $\pm 0.25\%$ of calibrated span from 1:1 to 40:1 rangedown

Range 5: $\pm 0.25\%$ of calibrated span from 1:1 to 30:1 rangedown

Range 6: $\pm 0.25\%$ of calibrated span from 1:1 to 30:1 rangedown

Long term stability

0.5% of span for three years under normal operating conditions

Vibration effect

Less than $\pm 0.1\%$ of URL when tested per the requirements of IEC 60770.84 pipeline (general and extreme vibration level) (10-60 Hz 0.21mm peak to peak displacement/60-2000 Hz 3g).

Electromagnetic Compatibility (EMC)

Meets all relevant requirements of EN 61326

Transient protection (Option T1)

Meets IEEE C62.41, Category B

6 kV crest (0.5 μ s - 100 kHz)

3 kA crest (8 \times 20 microseconds)

6 kV crest (1.2 \times 50 microseconds)

Meets IEEE C37.90.1, Surge Withstand Capability

SWC 2.5 kV crest, 1.25 MHz wave form

General Specifications:

Response Time: < 1 nanosecond

Peak Surge Current: 5000 amps to housing

Peak Transient Voltage: 100 V dc

Loop Impedance: < 25 ohms

Applicable Standards: IEC61000-4-4, IEC61000-4-5

Note

Calibrations at 68 °F (20 °C) per ASME Z210.1 (ANSI).

Range and sensor limits

Transmitter range limits			
Range	Lower (LRL) ⁽¹⁾	Upper (URL)	Minimum span
2	0 psi (0 bar)	150 psi (10, 3 bar)	20 psi (1,4 bar)
4	0 psi (0 bar)	5,000 psi (344, 7 bar)	125 psi (8,6 bar)
5	0 psi (0 bar)	10,000 psi (689, 5 bar)	330 psi (22,8 bar)
6	0 psi (0 bar)	20,000 psi (1379 bar)	660 psi (45,5 bar)

1. 220 °F (104 °C) limit in vacuum service; 130 °F (54 °C) for pressures below 0.5 psia.

Functional specifications

Dynamic performance

500 milliseconds (response time + dead time)

Ambient temperature effect per 100 °F (56 °C)

±0.03% URL + 1.0% span from 1:1 to maximum rangedown

Service

Liquid, gas, and vapor applications

4–20 mA (output code A)

Zero and span adjustment

Zero and span values can be set anywhere within the range.

Span must be greater than or equal to the minimum span.

Output

Digital process variable superimposed on 4–20 mA signal, available to any host that conforms to the HART protocol.

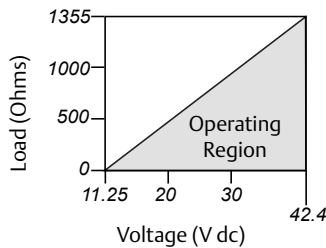
Power supply

External power supply required. Standard transmitter (4–20 mA) operates on 11.25 to 42.4 V dc with no load.

Load limitations

Maximum loop resistance is determined by the voltage level of the external power supply, as described by:

Max. Loop Resistance = 43.5 (Power Supply Voltage – 11.25)



Communication requires a minimum loop resistance of 250 ohms.

Overpressure limits

Transmitters withstand the following pressure without damage:

Range 2: 1,500 psi (103.4 bar)

Range 4: 7,500 psi (517.1 bar)

Range 5: 15,000 psi (1034 bar)

Range 6: 24,000 psi (1655 bar)

Burst pressure limits

Range 2: 11,000 psi (758.4 bar)

Range 4: 11,000 psi (758.4 bar)

Range 5: 26,000 psi (1793 bar)

Range 6: 31,000 psi (2137 bar)

Temperature limits

Ambient

–40 to 185 °F (–40 to 85 °C)

Storage

–50 to 230 °F (–46 to 110 °C)

Process temperature limits⁽¹⁾⁽²⁾

–40 to 250 °F (–40 to 121 °C)

Turn-on time

Performance within specifications less than 2.5 seconds after power is applied to the transmitter

Damping

Analog output response to a step input change is user-selectable from 0.3 to 60 seconds for one time constant. This software damping is in addition to sensor module response time.

Failure mode alarm

HART 4–20mA (output code A)

If self-diagnostics detect a gross transmitter failure, the analog signal will be driven offscale to alert the user. Rosemount standard and custom alarm levels are available.

High or low alarm signal is software-selectable.

Alarm configuration

Rosemount

High Alarm: ≥ 21.75 mA

Low Alarm: ≤ 3.75 mA

Custom level⁽³⁾

High Alarm: 20.2 - 23.0 mA

Low Alarm: 3.6 - 3.8 mA

1. Process temperature above 185 °F (85 °C) require de-rating ambient limits by a 1.5:1 ratio.
2. Process temperature cannot exceed 220 °F (104 °C) in vacuum service.
3. Low alarm must be 0.1 mA less than low saturation and high alarm must be 0.1 mA greater than high saturation.

Physical specifications

Material selection

Emerson provides a variety of Rosemount product with various product options and configurations including materials of construction that can be expected to perform well in a wide range of applications. The Rosemount product information presented is intended as a guide for the purchaser to make an appropriate selection for the application. It is the purchaser's sole responsibility to make a careful analysis of all process parameters (such as all chemical components, temperature, pressure, flow rate, abrasives, contaminants, etc.), when specifying product, materials, options and components for the particular application. Emerson is not in a position to evaluate or guarantee the compatibility of the process fluid or other process parameters with the product, options, configuration or materials of construction selected.

Electrical connections

1/2–14 NPT Male, 72-in. flying leads (polyvinyl chloride insulated #18 AWG copper wire)

Conduit seal

Integral conduit seal meets the requirements of NEC® 2002 section 501.5 (A), 501.5 (B) and 505.16 (B)(1). No additional conduit seal required.

Process connections

- 1/2–14 NPT female (Available on Ranges 2 and 4 only)
- 1/4–18 NPT female (Not available on Range 6)
- Autoclave type F-250-C (Pressure relieved 9/16–18 gland thread: 1/4 OD high pressure tube 60° cone: available Range 5 and 6 transmitters only.

Process sealing

Reliable dual process seal design meets the requirements NEC 2002 section 501.5 (F)(3), 505.16 (E)(3) and API 14F/14FZ 6.8.2.2. No additional process sealing is required.

Process-wetted parts

Process isolating diaphragms⁽¹⁾

316L SST
Alloy C-276

Non-wetted parts

Electronics housing

316L SST
NEMA 4X
IP 68, IP 66

Sensor module fill fluid

Silicone

Shipping weights for Rosemount 4600

Range 2 and 4: 1.34 lb. (0.61 kg.)

Range 5 and 6: 2.03 lb. (0.92 kg.)

1. *Materials of Construction comply with recommendations per NACE MR0175/ISO 15156 for sour oilfield production environments. Environmental limits apply to certain materials. Consult latest standard for details. Selected materials also conform to NACE MR0103 for sour refining environments.*

Product Certifications

Rev 1.5

European Directive Information

A copy of the EU Declaration of Conformity can be found at the end of the Quick Start Guide. The most recent revision of the EU Declaration of Conformity can be found at Emerson.com/Rosemount.

Ordinary Location Certification

As standard, the transmitter has been examined and tested to determine that the design meets the basic electrical, mechanical, and fire protection requirements by a nationally recognized test laboratory (NRTL) as accredited by the Federal Occupational Safety and Health Administration (OSHA).

North America

E5 US Explosionproof (XP) and Dust-Ignitionproof (DIP)

Certificate: 3012302

Standards: FM Class 3600 - 2011; FM Class 3615 - 2006; FM Class 3810 - 2005; NEMA 250 - 1991; ANSI/ISA-S12.0.01 - 1998; ANSI/ISA-S12.22.01 - 1998; ANSI/ISA-60079-0 - 2009

Markings: Explosionproof for Class I, Division 1, Groups B, C, and D; Flameproof for Class 1, Zone 1 AEx d IIC T5 (–40 °C to 85 °C); Dust-ignition proof for Class II and Class III, Division 1, Groups E, F, and G; Temperature Code T5 ($T_{amb} = -40\text{ °C to }85\text{ °C}$); Enclosure Type 4X; Conduit seal not required.

I5 US Intrinsic Safety (IS), Nonincendive (NI)

Certificate: 3012302

Standards: FM Class 3600 - 2011; Class 3610 - 2010; Class 3611 - 2004; NEMA 250 - 1991; ANSI/ISA-S12.0.01 - 1998; ANSI/ISA-S12.22.01 - 1998; ANSI/ISA-60079-0 - 2009; ANSI/ISA-60079-11 - 2009

Markings: Intrinsically Safe for use in Class I, Division 1, Groups A, B, C, and D; Temperature Code T4 (–50 °C to 70 °C); Intrinsically Safe for use in Class I, Zone 0 AEx ia IIC T4 (–50 °C to 70 °C) in accordance with control drawing 04620-5007; Nonincendive for Class I, Division 2, Groups A, B, C, and D when connected in accordance with Rosemount drawing 04620-5007; Enclosure Type 4X

E6 Canada Explosionproof and Division 2

Certificate: 1384913

Standards: CSA Std C22.2 No. 25-1966; CSA Std C22.2 No. 30-M1986; CAN/CSA-C22.2 No. 94-M91; CSA Std C22.2 No. 142-M1987; CAN/CSA-C22.2 No. 157-92; CSA Std C22.2 No. 213-M1987; CAN/CSA-E79-0-95; CAN/CSA-E79-1-95; CAN/CSA-E79-11-95; ANSI/ISA No. 12.27.01-2011

Markings: Explosionproof for Class I, Division 1, Groups B, C, and D; Dust-Ignitionproof for Class II and Class III, Division 1, Groups E, F, and G; Temperature Code T5 (–50 °C to 40 °C); Explosion-proof for Class 1, Zone 1 Ex d IIC T5 (–20 °C to 40 °C); Suitable for Class I, Division 2, Groups A, B, C, and D when installed per Rosemount drawing 04620-5005; Enclosure Type 4X; Conduit seal not required.

I6 Canada Intrinsic Safety

Certificate: 1384913

Standards: CSA Std C22.2 No. 25-1966; CSA Std C22.2 No. 30-M1986; CAN/CSA-C22.2 No. 94-M91; CSA Std C22.2 No. 142-M1987; CAN/CSA-C22.2 No. 157-92; CSA Std C22.2 No. 213-M1987; CAN/CSA-E79-0-95; CAN/CSA-E79-1-95; CAN/CSA-E79-11-95; ANSI/ISA No. 12.27.01-2011

Markings: Intrinsically Safe for use in Class I, Division 1, Groups A, B, C, and D; Temperature Code T3C (–50 °C to 70 °C); Intrinsically Safe for use in Class I, Zone 0 Ex ia IIC T4 (–50 °C to 70 °C) when connected in accordance with Rosemount drawing 04620-50075; Enclosure Type 4X; For entity parameters see control drawing 04620-5005

Europe

E1 ATEX Flameproof

Certificate: KEMA02ATEX2231X

Standards: EN60079-0:2012+A11:2013; EN60079-1:2014; EN60079-26:2015

Markings: III 1/2 G Ex db IIC T6...T4 Ga/Gb
T4/T5 (–60 °C ≤ T_a ≤ +80 °C),
T6 (–60 °C ≤ T_a ≤ +70 °C)

Special Conditions for Safe Use (X):

1. The device contains a thin wall diaphragm less than 1 mm thick that forms a boundary between Category 1 (process connection) and Category 2 (all other parts of the equipment). The model code and data sheet are to be consulted for details of the diaphragm material. During installation, maintenance, and use the environmental conditions to which the diaphragm will be subjected shall be taken into account. The manufacturer's instructions for installation and maintenance shall be followed in detail to assure safety during its expected lifetime.
2. Flameproof joints are not intended for repair.

I1 ATEX Intrinsic Safety

Certificate: Baseefa03ATEX0114X
 Standards: EN60079-0:2012+A11:2013,
 EN60079-11:2012
 Markings: Ⓢ II 1 G Ex ia IIC T4 Ga (-40 °C ≤ T_a ≤ +70 °C)

Input parameters	HART
Voltage U _i	30 V
Current I _i	200 mA
Power P _i	1.0 W
Capacitance C _i	35 nF
Inductance L _i	390 μH

Special Condition for Safe Use (X):

1. The equipment with the Transient Protection (T1) option is not capable of withstanding the 500 V insulation test required by Clause 6.3.13 of EN60079-11:2012. This must be taken into account when installing the equipment.

N1 ATEX Type n

Certificate: Baseefa03ATEX0115X
 Standards: EN60079-0:2012+A11:2013,
 EN60079-15:2010
 Markings: Ⓢ II 3G Ex nA IIC T5 Gc (-40 °C ≤ T_a ≤ +70 °C)
 U_i = 42.4V

Special Condition for Safe Use (X):

1. The equipment with the Transient Protection (T1) option is not capable of withstanding the 500 V insulation test required by Clause 6.5.1 of EN60079-15:2010. This must be taken into account when installing the equipment.

ND ATEX Dust

Certificate: KEMA02ATEX2231X
 Standards: EN60079-0:2012+A11:2013,
 EN 60079-31:2014
 Markings: Ⓢ II 2 D Ex tb IIIC T135 °C
 Db (-60 °C ≤ T_a ≤ +80 °C)

Special Conditions for Safe Use (X):

1. The device contains a thin wall diaphragm less than 1 mm thick that forms a boundary between Category 1 (process connection) and Category 2 (all other parts of the equipment). The model code and data sheet are to be consulted for details of the diaphragm material. During installation, maintenance, and use the environmental conditions to which the diaphragm will be subjected shall be taken into account. The manufacturer's instructions for installation and maintenance shall be followed in detail to assure safety during its expected lifetime.
2. Flameproof joints are not intended for repair.

International

E7 IECEx Flameproof and Dust

Certificate: IECEx DEK 13.0017X
 Standards: IEC 60079-0:2011; IEC 60079-1:2014; IEC
 60079-26:2014; IEC 60079-31:2013
 Markings: Ex db IIC T6...T4 Ga/Gb
 T4/T5(-60 °C ≤ T_a ≤ +80 °C),
 T6 (-60 °C ≤ T_a ≤ +70 °C)
 Ex tb IIIC T135 °C Db (-60 °C ≤ T_a ≤ +80 °C)

Special Conditions for Safe Use (X):

1. The device contains a thin wall diaphragm less than 1 mm thick that forms a boundary between Category 1 (process connection) and Category 2 (all other parts of the equipment). The model code and data sheet are to be consulted for details of the diaphragm material. During installation, maintenance, and use the environmental conditions to which the diaphragm will be subjected shall be taken into account. The manufacturer's instructions for installation and maintenance shall be followed in detail to assure safety during its expected lifetime.
2. Flameproof joints are not intended for repair.

Brazil

E2 INMETRO Flameproof

Certificate: UL-BR 15.0509X
 Standards: ABNT NBR IEC 60079-0, ABNT NBR IEC
 60079-1, ABNT NBR IEC 60079-26
 Markings: Ex d IIC Ga/Gb, T6(-60 °C ≤ T_a ≤ +70 °C),
 T5/T4(-60 °C ≤ T_a ≤ +80 °C)

Special Condition for Safe Use (X):

1. This device contains a thin wall diaphragm. Installation, maintenance and use shall take into account the environmental conditions to which the diaphragm will be subjected. The manufacturer's instructions for installation and maintenance shall be followed in detail in order to assure safety during its expected lifetime.

Technical Regulations Customs Union (EAC)**EM** EAC Flameproof

Certificate: RU C-US.GB05.B.00401

Markings: Ga/Gb Ex d IIC T6...T4 X,
T6($-60\text{ °C} \leq T_a \leq +70\text{ °C}$),
T4/T5($-60\text{ °C} \leq T_a \leq +80\text{ °C}$)**Special Condition for Safe Use (X):**

1. See certificate for special conditions.

IM EAC Intrinsically Safe

Certificate: RU C-US.GB05.B.00401

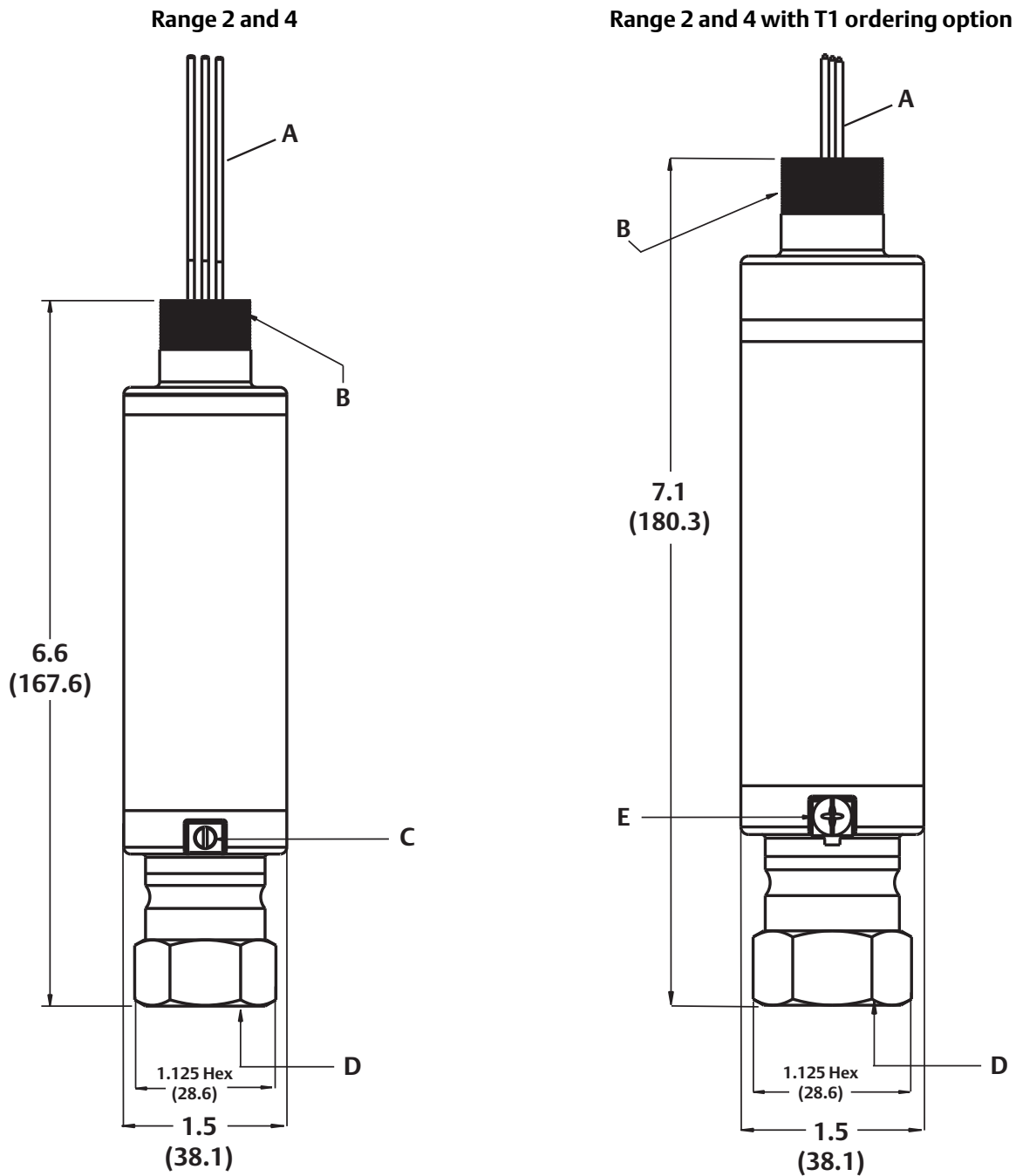
Markings: 0Ex ia IIC T4 Ga X ($-40\text{ °C} \leq T_a \leq +70\text{ °C}$)**Special Condition for Safe Use (X):**

1. See certificate for special conditions.

Combinations**K1** Combination of E1, I1, and N1**K5** Combination of E5 and I5**K6** Combination of E6 and I6**KA** Combination of E1, I1, E6, and I6**KB** Combination of E5, I5, I6, and E6**KC** Combination of E5, E1, I5, and I1**KM** Combination of EM and IM

Dimensional Drawings

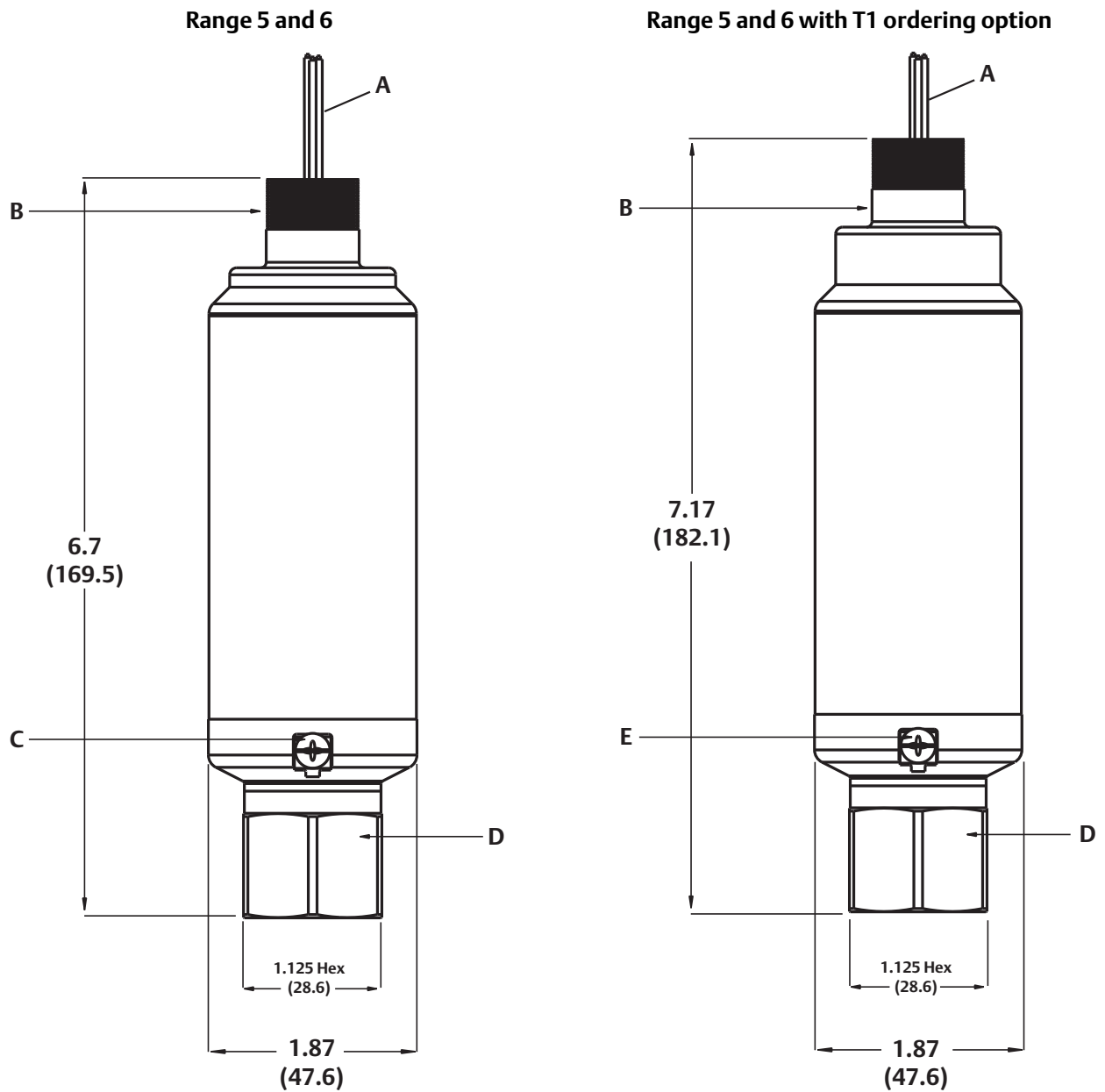
Figure 1. Rosemount 4600 Oil & Gas Panel Pressure Transmitter



A. Ground
B. Electrical connection 1/2-14 NPT
Dimensions are in inches (millimeters).

C. Optional ground screw (ordering option D4)
E. Optional ground screw (standard with T1 option)

Figure 2. Rosemount 4600 Oil & Gas Panel Pressure Transmitter



A. Ground
B. Electrical connection 1/2-14 NPT
Dimensions are in inches (millimeters).

C. Optional ground screw (ordering option D4)
D. Process connection

Global Headquarters

Emerson Automation Solutions

6021 Innovation Blvd.
Shakopee, MN 55379, USA
+1 800 999 9307 or +1 952 906 8888
+1 952 949 7001
RFQ.RMD-RCC@Emerson.com

North America Regional Office

Emerson Automation Solutions

8200 Market Blvd.
Chanhassen, MN 55317, USA
+1 800 999 9307 or +1 952 906 8888
+1 952 949 7001
RMT-NA.RCCRFQ@Emerson.com

Latin America Regional Office

Emerson Automation Solutions

1300 Concord Terrace, Suite 400
Sunrise, FL 33323, USA
+1 954 846 5030
+1 954 846 5121
RFQ.RMD-RCC@Emerson.com

Europe Regional Office

Emerson Automation Solutions Europe GmbH

Neuhofstrasse 19a P.O. Box 1046
CH 6340 Baar
Switzerland
+41 (0) 41 768 6111
+41 (0) 41 768 6300
RFQ.RMD-RCC@Emerson.com

Asia Pacific Regional Office


Emerson Automation Solutions Asia Pacific Pte Ltd


1 Pandan Crescent
Singapore 128461
+65 6777 8211
+65 6777 0947
Enquiries@AP.Emerson.com

Middle East and Africa Regional Office


Emerson Automation Solutions

Emerson FZE P.O. Box 17033
Jebel Ali Free Zone - South 2
Dubai, United Arab Emirates
+971 4 8118100
+971 4 8865465
RFQ.RMTMEA@Emerson.com

 [Linkedin.com/company/Emerson-Automation-Solutions](https://www.linkedin.com/company/Emerson-Automation-Solutions)

 [Twitter.com/Rosemount_News](https://twitter.com/Rosemount_News)

 [Facebook.com/Rosemount](https://www.facebook.com/Rosemount)

 [Youtube.com/user/RosemountMeasurement](https://www.youtube.com/user/RosemountMeasurement)

 [Google.com/+RosemountMeasurement](https://www.google.com/+RosemountMeasurement)

Standard Terms and Conditions of Sale can be found on the [Terms and Conditions of Sale page](#).

The Emerson logo is a trademark and service mark of Emerson Electric Co.

Rosemount and Rosemount logotype are trademarks of Emerson.

HART is a registered trademark of FieldComm group.

National Electrical Code is a registered trademark of National Fire Protection Association, Inc.

NACE is a registered trademark of NACE International.

All other marks are the property of their respective owners.

© 2017 Emerson. All rights reserved.