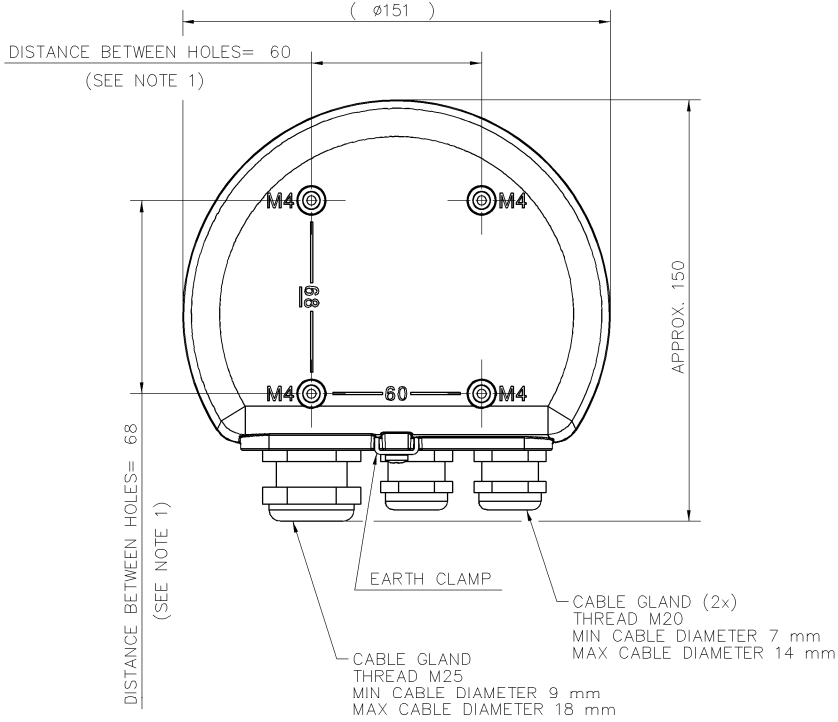
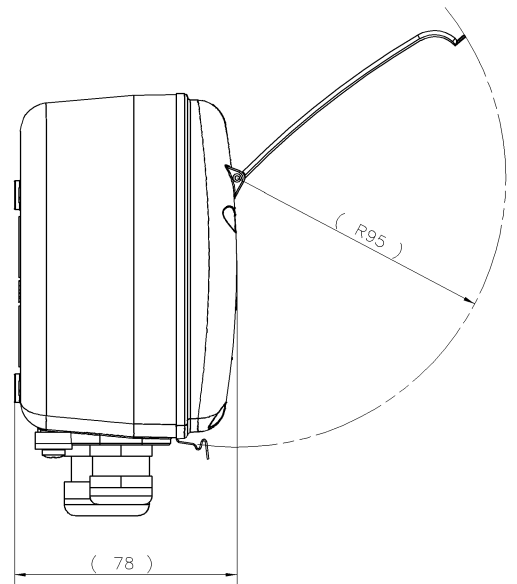


BOX REMOTE
BACK VIEW
($\varnothing 151$)



BOX REMOTE
SIDE VIEW



- ① DRILL PATTERN FOR MOUNTING OF THE DISPLAY UNIT AT PLATE SUPPLIED BY CUSTOMER. FOUR M4 SCREWS ARE REQUIRED. MAXIMUM DEPTH OF HOLES IS 10mm. 4 PCS M4X12 SUPPLIED BY RTR.

ISSUED BY GU-CK	WEEK 0020	PRODUCT CODE PRO/5600	FILE IDEAS/ACAD	INSTALLATION DRAWING TITLE		
APPROVED BY GST-TK	WEEK 0020	ORIGINAL DWG NO. 9150074-921	SCALE -	MECHANICAL INSTALLATION DWG 2210 DISPLY UNIT / RDU 40		
ROSEMOUNT				1 ST ANGLE	DOC TYPE 2	DWG NO. 9150074-921
THE COPYRIGHT/OWNERSHIP OF THIS DOCUMENT IS AND WILL REMAIN OURS. THE DOCUMENT MUST NOT BE USED WITHOUT OUR AUTHORIZATION OR BROUGHT TO THE KNOWLEDGE OF A THIRD PARTY. CONTRAVENTION WILL BE PROSECUTED. ROSEMOUNT TANK RADAR AB, SWEDEN.					ISSUE 3	SHEET 1/1