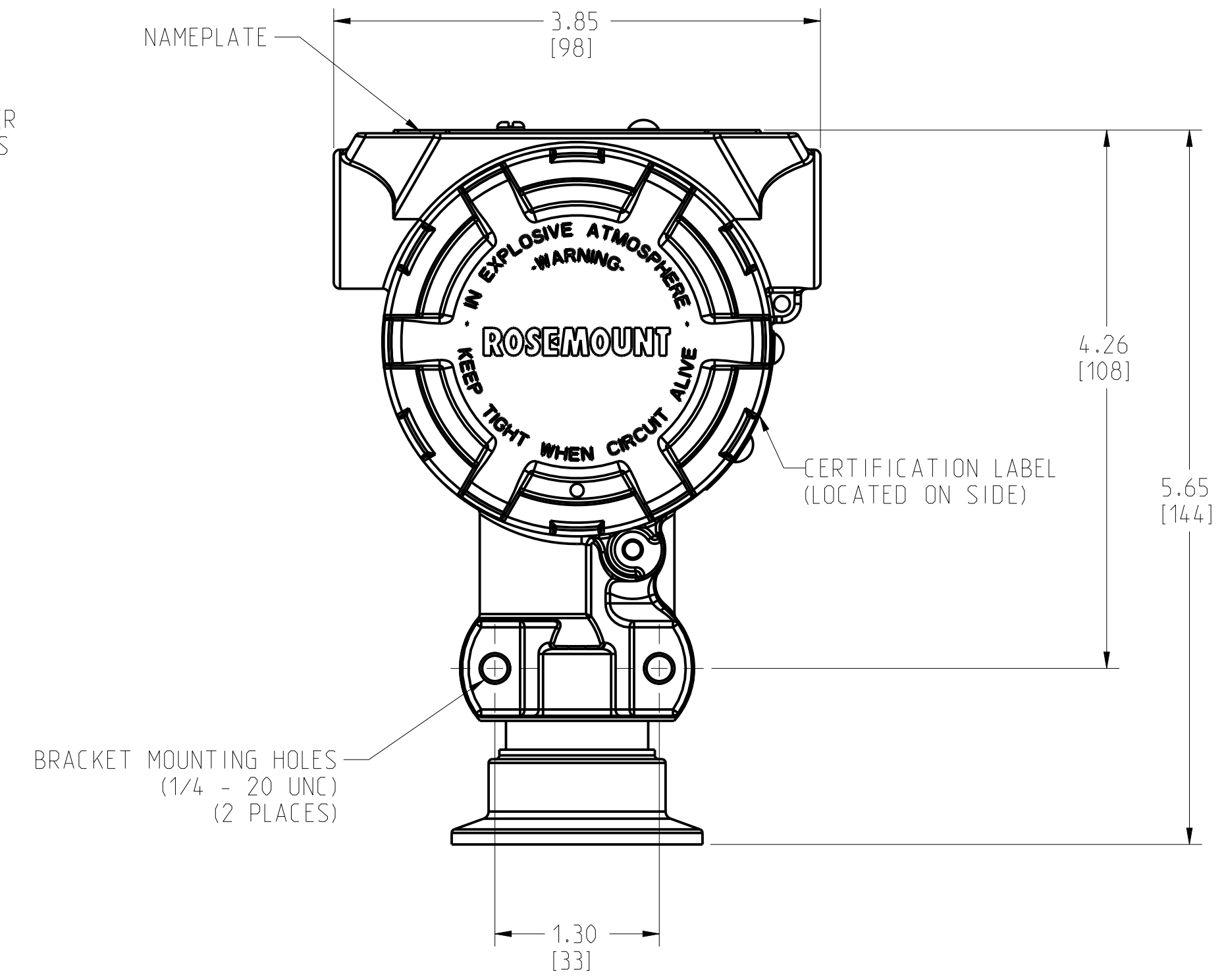
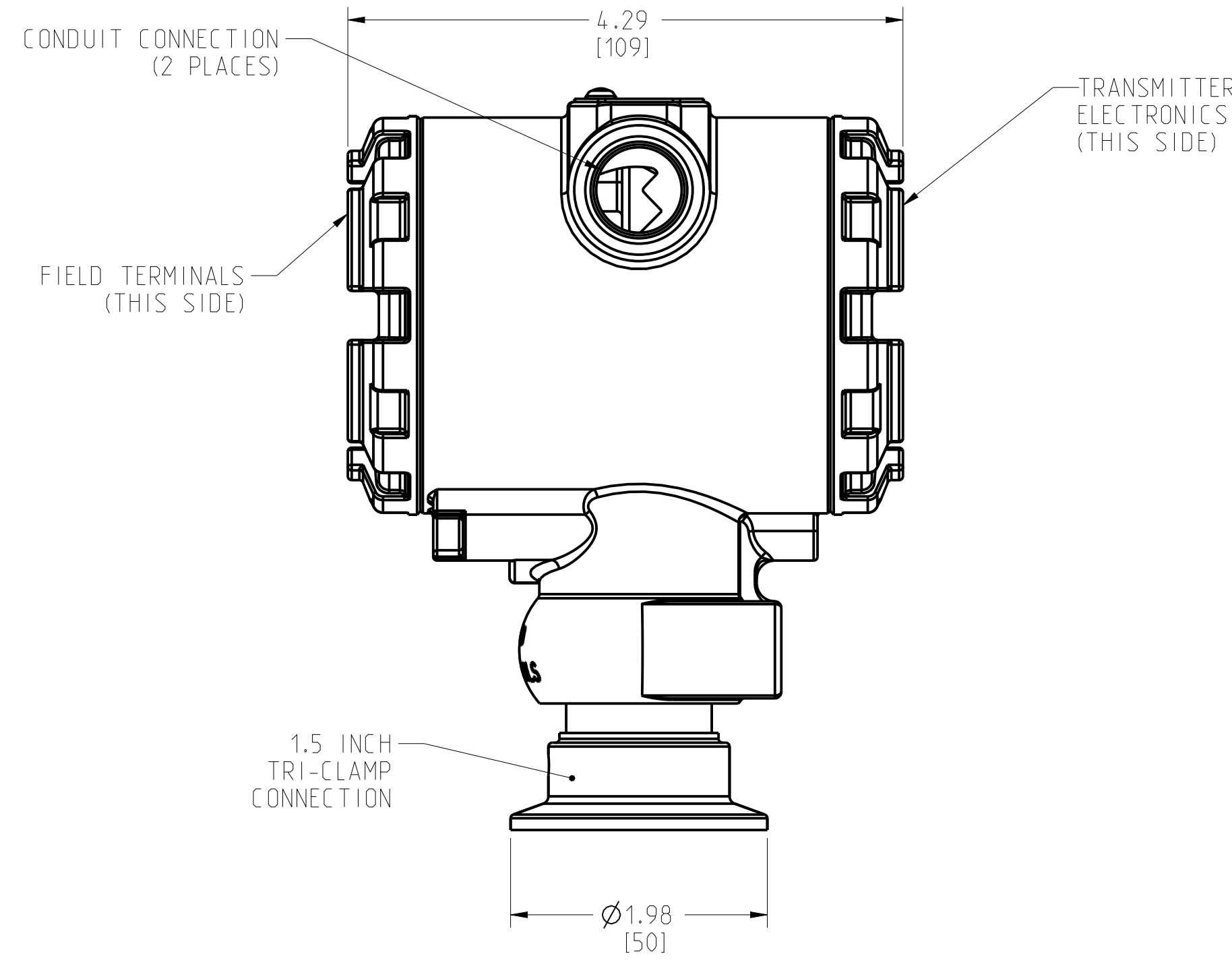
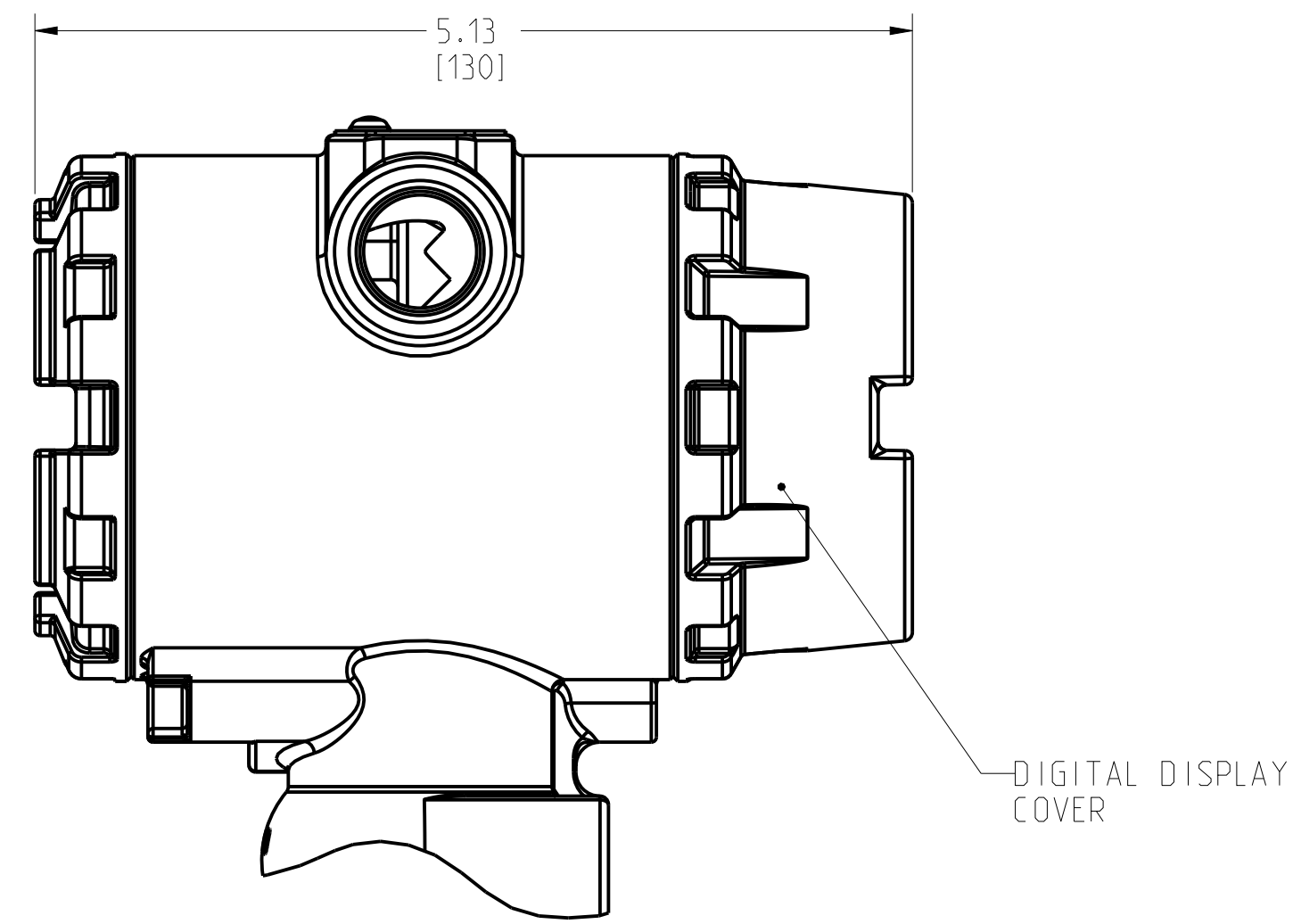


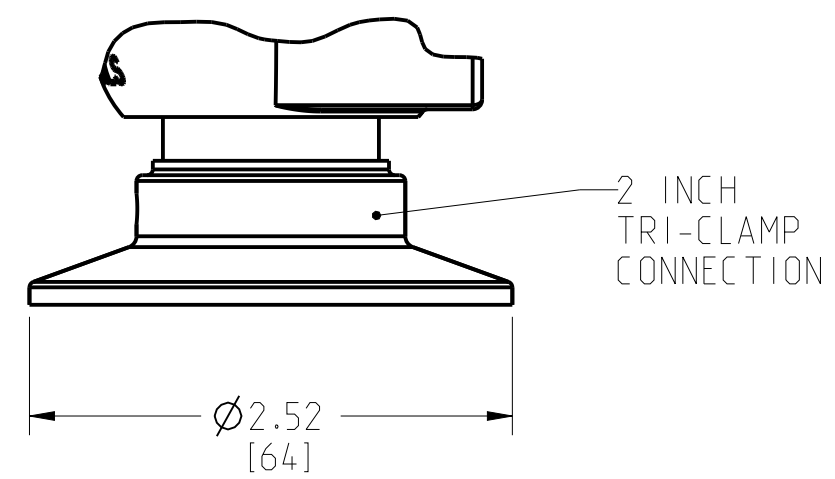
ROSEMOUNT 2090F HYGIENIC PRESSURE TRANSMITTER

REVISION TABLE			
REVISION	ECO NO.	APP'D	DATE
AD	RTC1055957	LF	1/18/13
DESCRIPTION			
ADD MOUNTING BRACKET AND UPDATE VIEWS			

SHOWN WITH OPTIONAL DIGITAL DISPLAY



OPTIONAL 2 INCH TRI-CLAMP CONNECTION



2. .75 [19] CLEARANCE REQUIRED TO REMOVE COVERS.

1. ROSEMOUNT INC. CERTIFIES THESE DRAWINGS ARE ACCORDANCE WITH ROSEMOUNT ENGINEERS SPECIFICATIONS AND ACURATELY REPRESENT THE EQUIPMENT FURNISHED.

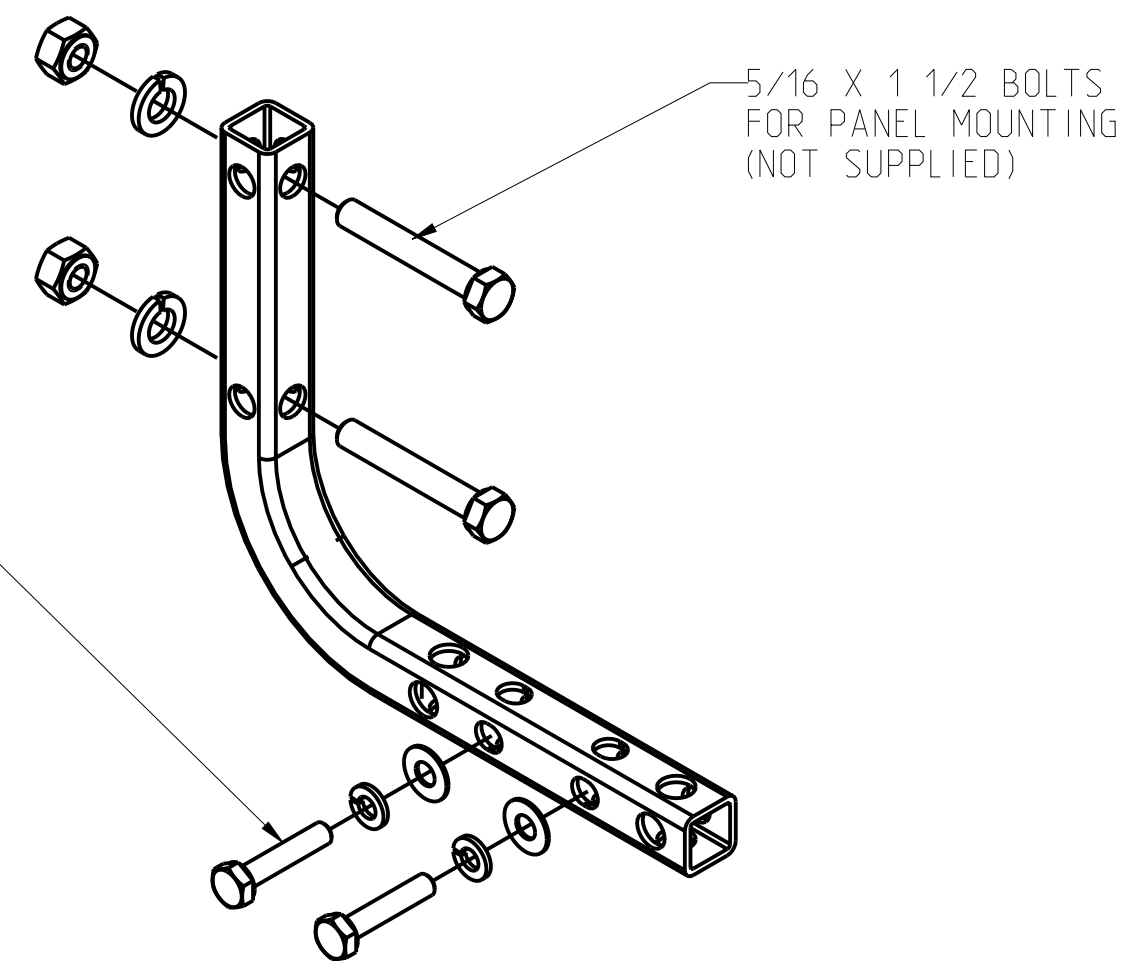
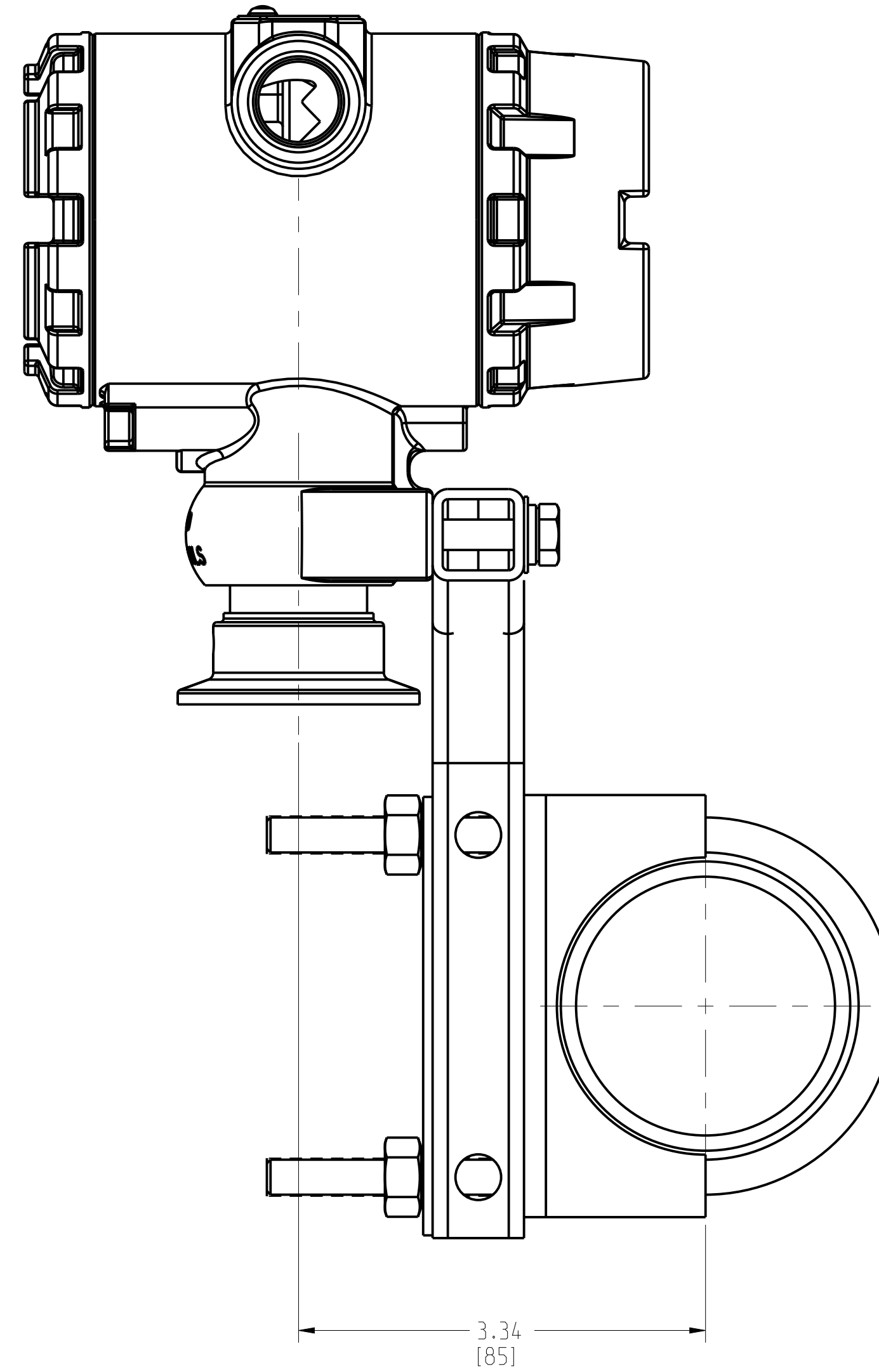
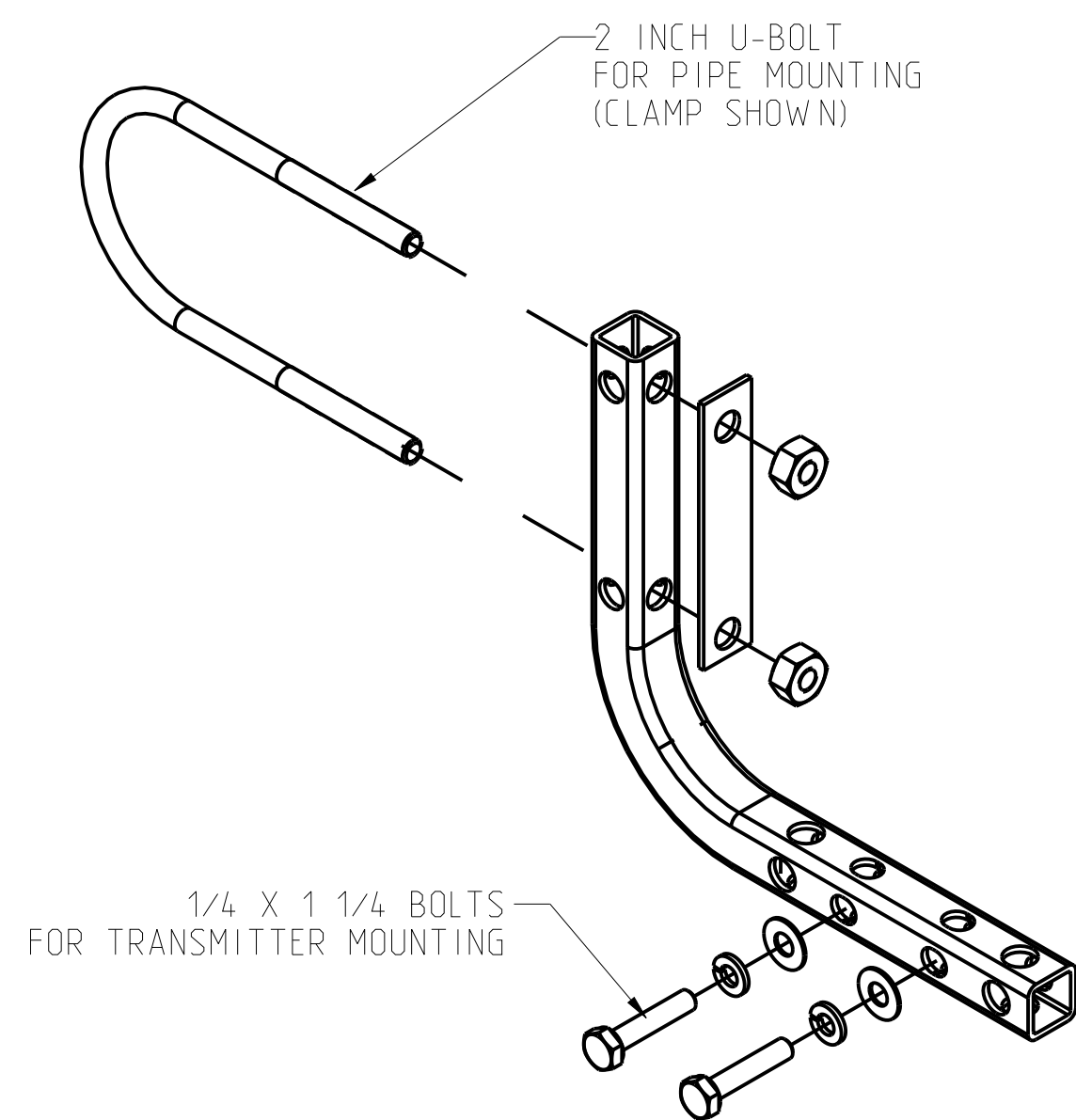
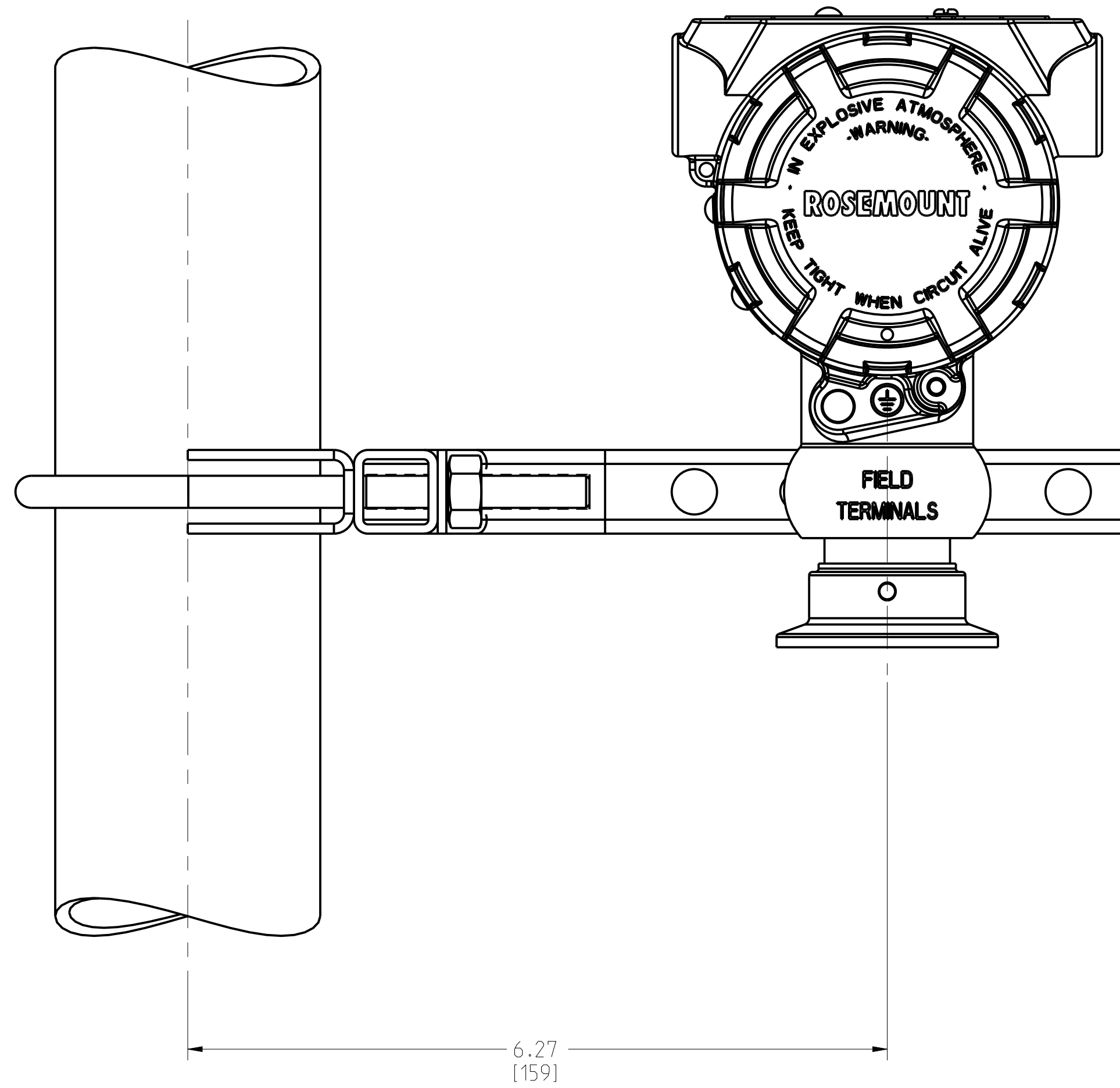
NOTES:

<small>UNLESS OTHERWISE SPECIFIED DIMENSIONS AND UNITS ARE IN INCHES AND POUNDS PER SQUARE INFORMATION IS CONTAINED HEREIN AND MUST BE HANDLED ACCORDINGLY EMERSON</small>	CUSTOMER	3RD ANGLE	SIZE	SCALE	REV
	CUSTOMER DWG NO.		D	1/1	AD
	P.O. No.				
	S.O. No.	TITLE ROSEMOUNT 2090F HYGIENIC PRESSURE TRANSMITTER			
PROJECT NAME	DR. NV JAC 10/20/10	DRAWING NO.		02088-1033	
	APP'D LF 1/18/13				
DO NOT SCALE PRINT		CAD MAINTAINED. (PRO/E)	PRODUCT CODE	-	DOC TYPE D SHEET 1 OF 2

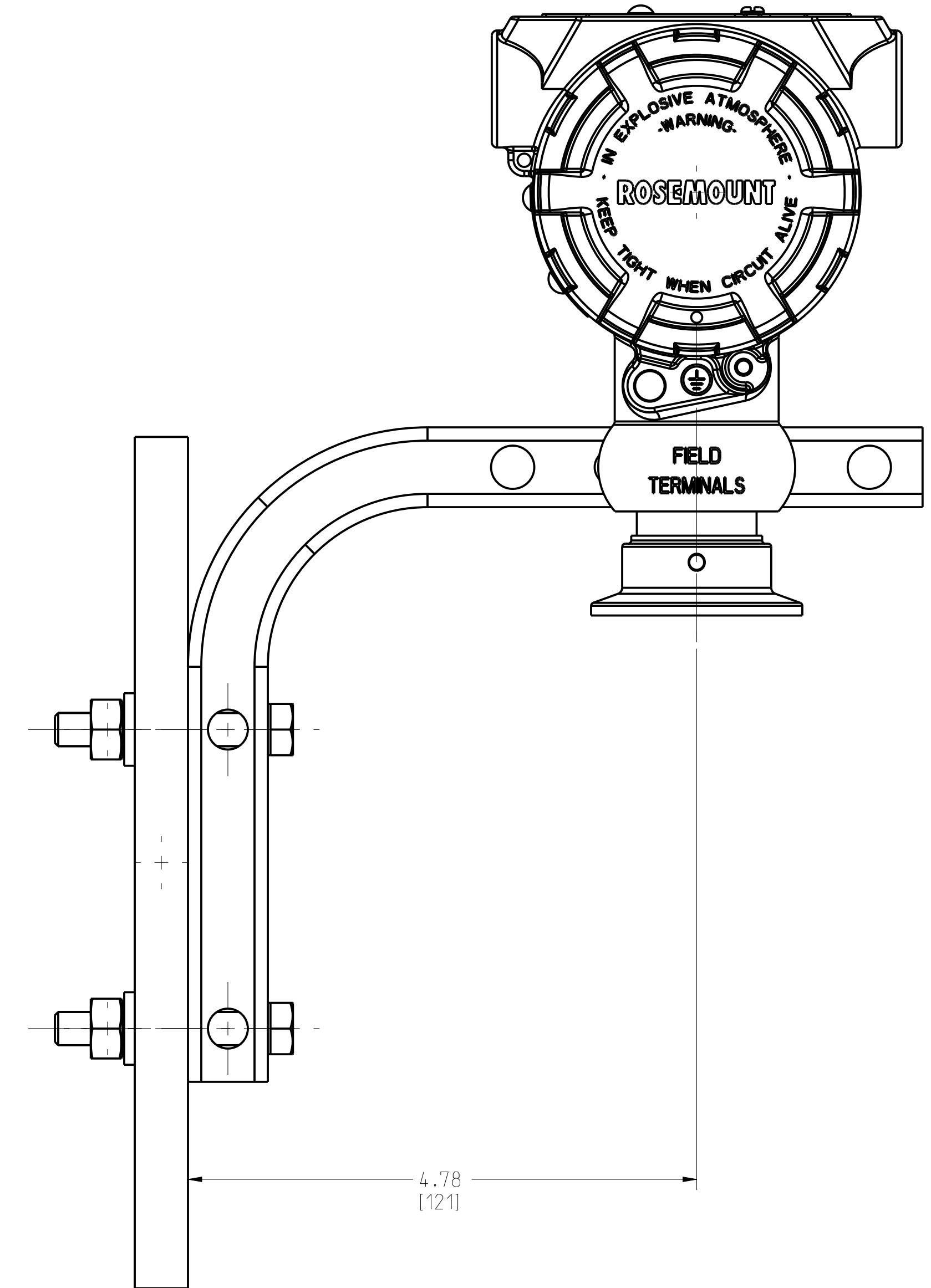
DRAWING NO. 02088-1033 TAG NO. CAL.

ROSEMOUNT 2090F HYGIENIC PRESSURE TRANSMITTER
MOUNTING CONFIGURATIONS WITH OPTIONAL MOUNTING BRACKET

PIPE MOUNTING



PANEL MOUNTING



<small>UNLESS OTHERWISE SPECIFIED CONNECTIONS AND DIMENSIONS INFORMATION IS CONTAINED HEREIN AND MUST BE HANDLED ACCORDINGLY. EMERSON</small>	CUSTOMER	3RD ANGLE	SIZE	SCALE	REV
	CUSTOMER DWG NO.		D	1/1	AD
	P.O. No.	...	EMERSON Process Management ROSEMOUNT®		
	S.O. No.	...	TITLE ROSEMOUNT 2090F HYGIENIC PRESSURE TRANSMITTER		
PROJECT NAME	DR. NV JAC 10/20/10	DRAWING NO.	02088-1033		
	APP'D LF 1/18/13				
DO NOT SCALE PRINT		CAD MAINTAINED. (PRO/E)	PRODUCT CODE	- DOC TYPE D SHEET 2 OF 2	

DRAWING NO. 02088-1033 TAG NO. CAL.