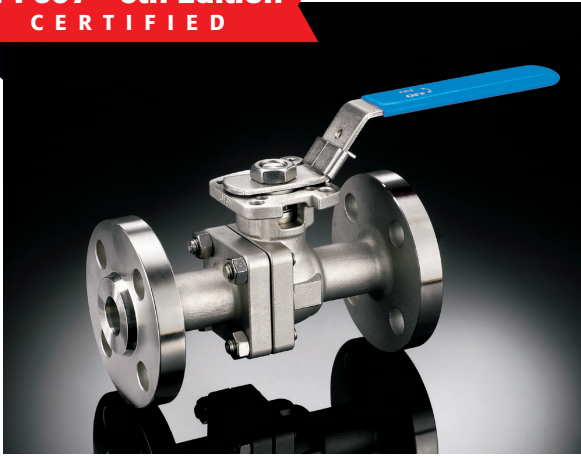
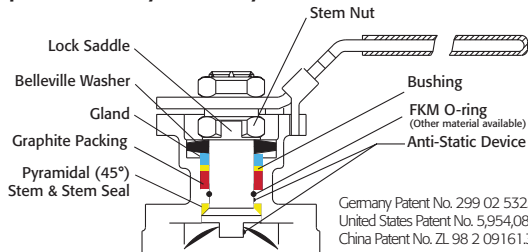


**API 607 - 6th Edition
CERTIFIED**

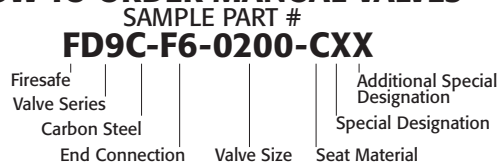


Triac FD9 Series Flanged Ball Valves feature a direct mount automation pad. The high quality investment castings feature a fully machined bore. The superior live-loaded packing system is accomplished with Belleville washers, "V" ring packing and a unique primary pyramidal stem seal. This advanced sealing system provides protection against stem leaks experienced by ordinary ball valves.



CTFE seats are standard, but various options are available for seat materials. The 50/50 STFE seat option is excellent for services that call for higher temperatures and more difficult applications, including steam. Call us for details.

HOW TO ORDER MANUAL VALVES



See part number matrix for itemized options

Easy to Automate!

See automated data sheets for pre-sized assemblies



Pneumatic



Electric

FD9F6-2R-20221227
Copyright 2013 A-T Controls, Inc.

A-T Controls, Inc.

Series FD9-F6

FIRESAFE

600# Direct Mount Split Body Flanged Ball Valve

Sizes 1/2" – 2"

Available in 316SS or WCB

ASME Class 600

Full Port Design

Superior Live Loaded Packing System

ISO 5211 Actuator Mounting Pad

Blowout Proof Stem w/ Dual Anti-Static Devices

CTFE Seats Standard

Pyramidal Stem Seal Design

Lockable Manual Handle

STANDARDS

Design	ASME B16.34 (fully conforms)
Face to Face	ASME B16.10
Flange Dimensions	ASME B16.5
Pressure Testing	API 598
Fire Testing	API 607-6th Edition
Sulfide Stress Protection	NACE MR0175
Mounting	ISO 5211
Marking System for Valves	MSS SP-25
Safety Integrity	IEC 61508:2010; SIL 3
Material Certification	EN 10204-3.1 MTR
Quality Assurance	ISO 9001:2015
Fugitive Emission	ISO 15848-1

TABLE OF CONTENTS:

- Page 2 - Materials & Dimensions
- Page 3 - Technical Data
- Page 4 - Double Acting
- Page 5 - Spring Return
- Page 6 - Electric
- Page 7 - How to Order - Manual
- Page 8 - How to Order - Automated

A-T Controls, Inc.

9955 International Blvd.
Cincinnati, Ohio 45246
www.atcontrols.com

PHONE (513) 247-5465
FAX (513) 247-5462
sales@atcontrols.com

SERIES FD9-F6 600# Direct Mount Split Body Flanged Ball Valve

Firesafe

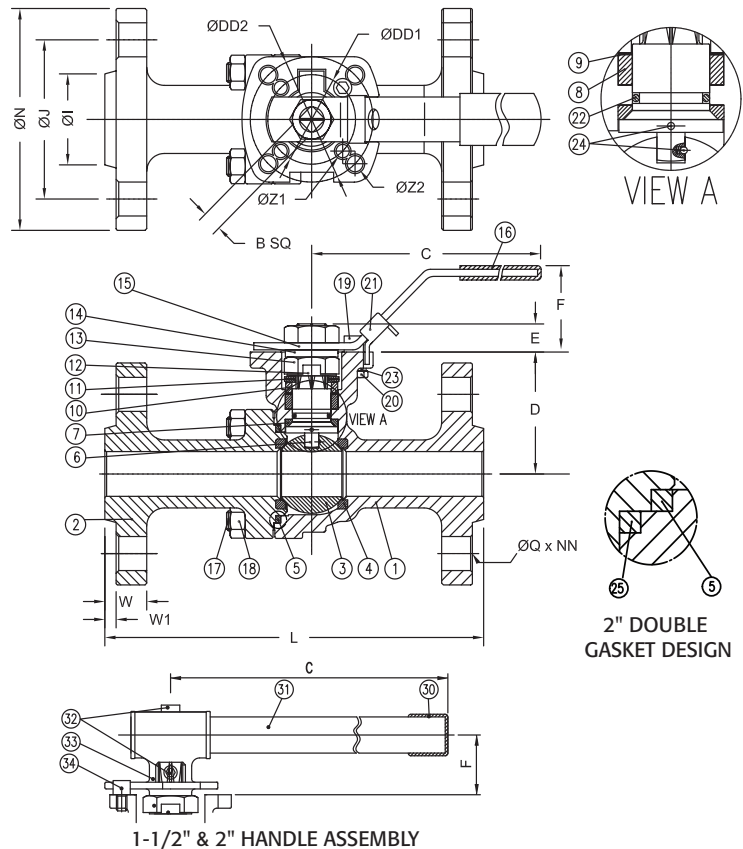
Series FD9-F6

High Performance, Full Port 600# Split Body Flanged Ball Valve Series FD9-F6 (ASME Class 600)

API 607 - 6th Edition
CERTIFIED FIRESAFE

MATERIAL LIST

NO.	PART NAME	QTY	STAINLESS STEEL	CARBON STEEL	REPAIR KIT
1	BODY	1	ASTM A351 GRADE CF8M	ASTM A216 GRADE WCB	
2	END CAP	1	ASTM A351 GRADE CF8M	ASTM A216 GRADE WCB	
3	BALL	1	ASTM A351 GRADE CF8M	ASTM A351 GRADE CF8M	
4	SEAT	2	CTFE	CTFE	✓
5	JOINT GASKET	1	\$	\$	✓
6	STEM	1	ASTM A276 316SST	ASTM A276 316SST	
7	STEM SEAL	1	TFM™-1600	TFM™-1600	✓
8	GLAND PACKING	1	GRAPHITE	GRAPHITE	✓
9	GLAND WASHER	1	RTFE	RTFE	✓
10	GLAND BUSHING	1	AISI 304	AISI 304	
11	BELLEVILLE WASHER	2	AISI 301	AISI 301	
12	LOCK SADDLE	1	AISI 304	AISI 304	
13	STEM NUT	2	AISI 304	AISI 304	
14	STEM WASHER	1	AISI 304	AISI 304	
15	HANDLE	1	AISI 304	AISI 304	
16	HANDLE SLEEVE	1	VINYL	VINYL	
17	BODY BOLT	*	ASTM A193 GRADE B8M	ASTM A193 GRADE B7M	
18	BODY BOLT NUT	*	ASTM A194 GRADE 8M	ASTM A194 GRADE 2HM	
19	STOP BOLT	1	AISI 304	AISI 304	
20	STOP NUT	1	AISI 304	AISI 304	
21	HANDLE LOCK	1	AISI 304	AISI 304	
22	O-RING	1	FKM	FKM	✓
23	STOP BOLT WASHER	1	AISI 304	AISI 304	
24	ANTI-STATIC DEVICE	2	AISI 316	AISI 316	
25	JOINT GASKET	1	\$\$	\$\$	✓
30	HANDLE SLEEVE	1	VINYL	VINYL	
31	HANDLE BAR	1	AISI 304	AISI 304	
32	HANDLE BOLT	2	AISI 304	AISI 304	
33	HANDLE HUB	1	AISI 304	AISI 304	
34	STOP BOLT	1	AISI 304	AISI 304	



*FOR 1/2"-1-1/2" : 4 PCS. OF BOLTS AND NUTS

*FOR 2" : 8 PCS. OF BOLTS AND BOLT NUTS

\$ FOR 1/2" - 1-1/2" : GRAPHITE

\$ FOR 2" - PTFE: TFM™-1600 GRAPHITE

\$\$ ONLY PRESENT IN 2" DESIGN

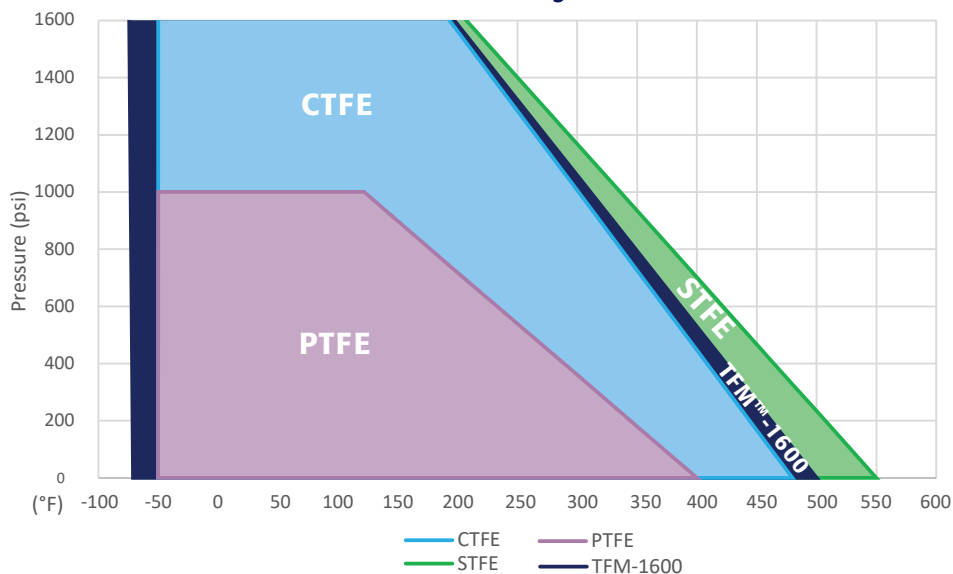
DIMENSIONS (IN)

SIZE	A	B	C	D	E	F	I	J	L	N	Q	W	W1	Z1	Z2	DD1	DD2	NN	LBS	ISO
1/2"	0.59	0.433	8.39	1.92	0.39	1.89	1.38	2.63	6.50	3.75	0.63	0.81	0.25	0.26	0.28	1.654	1.969	4	6.5	F04/F05
3/4"	0.79	0.433	8.39	2.5	0.41	1.89	1.69	3.25	7.50	4.63	0.75	0.87	0.25	0.26	0.28	1.654	1.969	4	10.5	F04/F05
1"	0.98	0.551	10.37	2.68	0.51	1.93	2.00	3.5	8.50	4.88	0.75	0.94	0.25	0.30	0.35	1.969	2.756	4	14	F05/F07
1-1/2"	1.50	0.748	14.57	3.51	0.75	1.74	2.88	4.5	9.50	6.13	0.88	1.13	0.25	0.39	0.47	2.756	4.016	4	27	F07/F10
2"	1.97	0.748	14.57	4.33	0.75	1.74	3.63	5.00	11.50	6.50	0.75	1.25	0.25	0.39	0.47	2.756	4.016	8	39	F07/F10

High Performance, Full Port 600# Split Body Flanged Ball Valve Series FD9-F6 (ASME Class 600)

Series FD9-F6

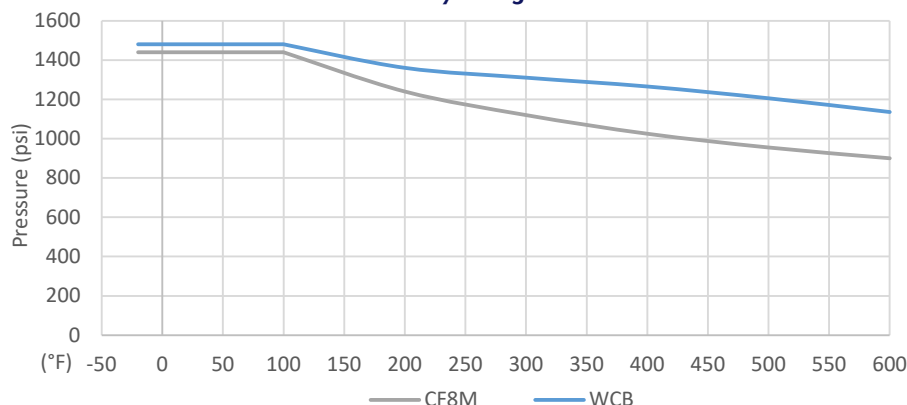
Pressure vs. Temperature - Series D9/FD9-F6
Seat Pressure Ratings



API 607 - 6th Edition
CERTIFIED FIRESAFE

Temp	Pressure - Seat Material			
	CTFE	STFE	PTFE	TFM™-1600
-75°				2000
-50°	2000	2000	1000	2000
100°	2000	2000	1000	2000
122°	2000	2000	1000	2000
150°	1843.6	1869	899	1852
200°	1564.3	1636	719	1587
250°	1284.9	1402	540	1323
300°	1005.6	1168	360	1058
350°	726.2	935	180	794
400°	446.9	701	0	529
450°	167.6	467		265
480°	0	327.1		105.8
500°		234		0
550°		0		

Pressure vs. Temperature - Series D9/FD9-F6
Body Ratings



Temp (°F)	WCB psi	CF8M psi
-20°	1480	1440
50°	1480	1440
75°	1480	1440
90°	1480	1440
99°	1480	1440
100°	1480	1440
200°	1360	1240
300°	1310	1120
400°	1265	1025
500°	1205	955
600°	1135	900

Break Away Torque for CTFE Seats

SIZE	IN-LBS.
1/2"	150
3/4"	200
1"	260
1-1/2"	525
2"	610

Published torques are based on full differential pressure with clean water. Consult the Application Sizing Guide for assistance with sizing actuators.

VALVE SIZE	VALVE Cv
1/2"	28
3/4"	50
1"	95
1-1/2"	260
2"	485

NOTE: At temperature, valves are limited by either the valve body/ end cap pressure ratings, seat pressure ratings, or packing/stem seal/gaskets; whichever is lower.

FD9-F6 Component Temperature Ratings

COMPONENT	MATERIAL	TEMPERATURE
Stem Packing	Graphite	-100°F to 1100°F
Stem Seal	TFM™-1600	-75°F to 500°F
Gaskets	Graphite	-100°F to 1100°F
Seats (Other Materials Available)	PTFE	-50°F to 400°F
	CTFE (standard)	-50°F to 480°F
	TFM™-1600	-75°F to 500°F
	50/50 STFE	-50°F to 550°F
O-Rings	FKM (standard)	-20°F to 450°F
	Markez® Z1028	5°F to 608°F
	Kalrez® 4079	30°F to 600°F
	Chemraz® 505	-22°F to 446°F
	Kalrez® 6375	-4°F to 527°F
	Perlast® G75M	5°F to 500°F
	Chemraz® 564	-40°F to 445°F
	Low Temp Buna	-65°F to 275°F
	EPDM	-70°F to 250°F
Silicone	-60°F to 400°F	

Pneumatic Double Acting

Automated Ball Valve Package

Series FD9-F6
ASME Class 600
Flanged Ball Valve
Direct Mount

Firesafe

Sizes 1/2" - 2"

Available in 316SST or WCB

ASME Class 600

Full Port Design

Superior Live Loaded Packing System

Blowout Proof Stem w/ Dual Anti-Static Devices

CTFE Seats Standard

Pyramidal Stem Seal Design

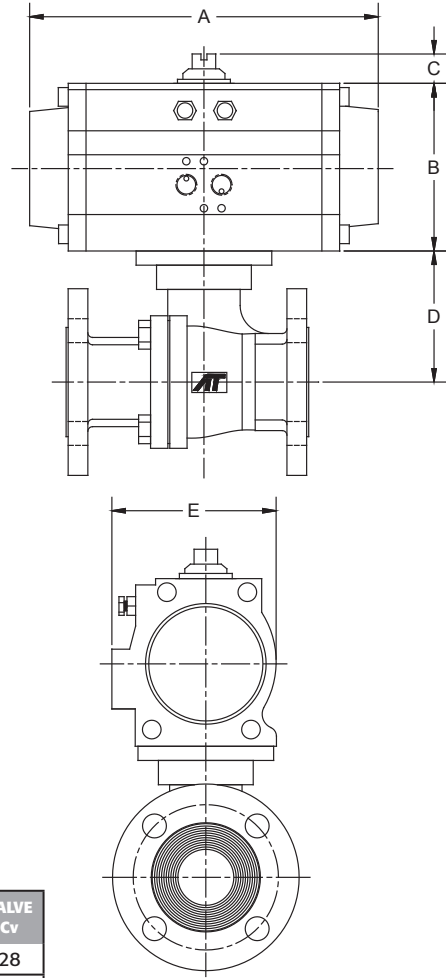
STANDARDS

Design	ASME B16.34 (fully conforms)
Face to Face	ASME B16.10
Flange Dimensions	ASME B16.5
Pressure Testing	API 598
Fire Testing	API 607-6th Edition
Sulfide Stress Protection	NACE MR0175
Mounting	ISO 5211
Marking System for Valves	MSS SP-25
Safety Integrity	IEC 61508:2010; SIL 3
Material Certification	EN 10204-3.1 MTR
Quality Assurance	ISO 9001:2015
Fugitive Emissions	ISO 15848-1

**API 607 - 6th Edition
CERTIFIED**



600# Flanged
Firesafe Tested to API-607
Direct Mount



DIMENSIONS (IN)

VALVE SIZE	A	B	C	D	E	VALVE Cv
1/2"	5.98	2.76	0.79	1.92	2.58	28
3/4"	7.95	3.43	0.79	2.50	3.29	50
1"	7.95	3.43	0.79	2.68	3.29	95
1-1/2"	9.29	4.49	0.79	3.51	4.41	260
2"	10.87	4.88	0.79	4.33	4.82	485

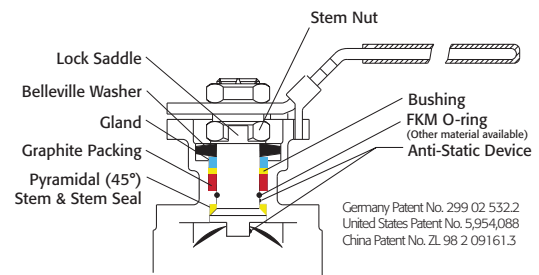
DIMENSIONS SHOWN ARE FOR ASSEMBLIES SIZED FOR 80 PSI SUPPLY

SERIES FD9-F6 600# Flanged Direct Mount

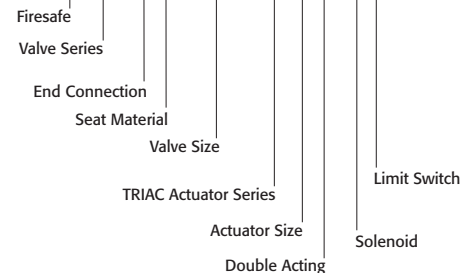
Firesafe

SIZED FOR 80 psi AIR SUPPLY	
SIZE	MODEL
1/2"	FD9-6C-050/2R2D-XX
3/4"	FD9-6C-075/2R2D-XX
1"	FD9-6C-100/2R2D-XX
1-1/2"	FD9-6C-150/2R3D-XX
2"	FD9-6C-200/2R4D-XX

SIZED FOR 60 psi AIR SUPPLY	
SIZE	MODEL
1/2"	FD9-6C-050/2R2D-XX
3/4"	FD9-6C-075/2R2D-XX
1"	FD9-6C-100/2R3D-XX
1-1/2"	FD9-6C-150/2R3D-XX
2"	FD9-6C-200/2R4D-XX



SAMPLE PART #
FD9-6C-100/2R3D-XX



See valve part number matrix for complete part number and options.

OPTIONS

DESCRIPTION	PART NO. SUFFIX	DESCRIPTION	PART NO. SUFFIX
NEMA 4 Solenoid	(A)	NEMA 4 Limit Switch (2) spdt	(A)
NEMA 7 Solenoid	(B)	NEMA 7 Limit Switch (2) spdt	(B)
Intrinsically Safe Solenoid	(C)	Intrinsically Safe Limit Switch	(C)

Other options available - call for details
Actuators are sized based on clean/clear fluid.

Pneumatic Spring Return

Automated Ball Valve Package

Series FD9-F6
ASME Class 600
Flanged Ball Valve
Direct Mount

Firesafe

Sizes 1/2" - 2"

Available in 316SST or WCB

ASME Class 600

Full Port Design

Superior Live Loaded Packing System

Blowout Proof Stem w/ Dual Anti-Static Devices

CTFE Seats Standard

Pyramidal Stem Seal Design

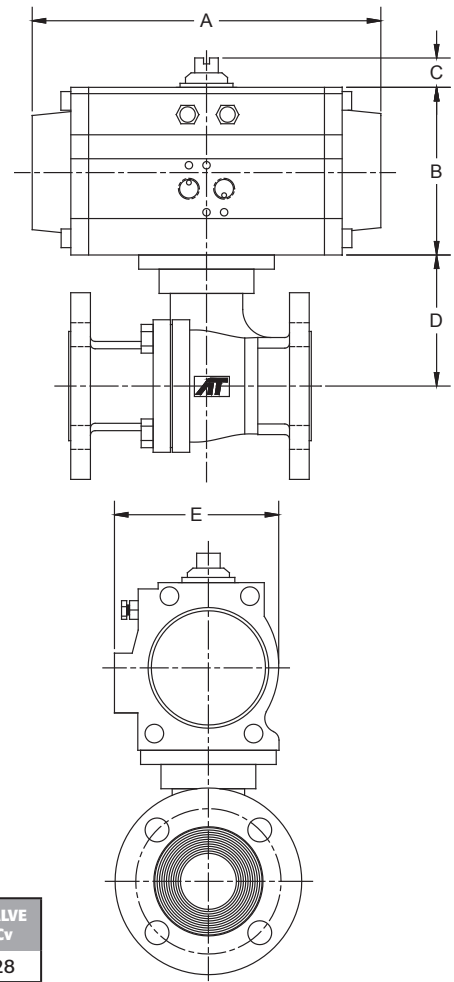
STANDARDS

Design	ASME B16.34 (fully conforms)
Face to Face	ASME B16.10
Flange Dimensions	ASME B16.5
Pressure Testing	API 598
Fire Testing	API 607-6th Edition
Sulfide Stress Protection	NACE MR0175
Mounting	ISO 5211
Marking System for Valves	MSS SP-25
Safety Integrity	IEC 61508:2010; SIL 3
Material Certification	EN 10204-3.1 MTR
Quality Assurance	ISO 9001:2015
Fugitive Emissions	ISO 15848-1

**API 607 - 6th Edition
CERTIFIED**



600# Flanged
Firesafe Tested to API-607
Direct Mount



DIMENSIONS (IN)

VALVE SIZE	A	B	C	D	E	VALVE Cv
1/2"	7.95	3.43	0.79	1.92	3.29	28
3/4"	9.29	4.49	0.79	2.50	4.41	50
1"	9.29	4.79	0.79	2.68	4.41	95
1-1/2"	10.87	4.88	0.79	3.51	4.82	260
2"	11.46	5.28	0.79	4.33	5.20	485

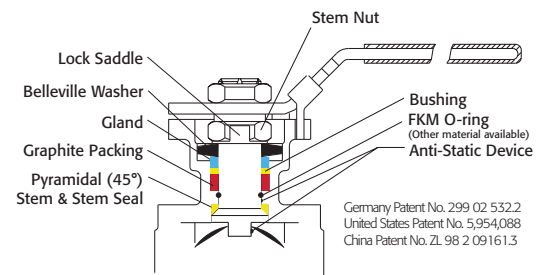
DIMENSIONS SHOWN ARE FOR ASSEMBLIES SIZED FOR 80 PSI SUPPLY

SERIES FD9-F6 600# Flanged Direct Mount

Firesafe

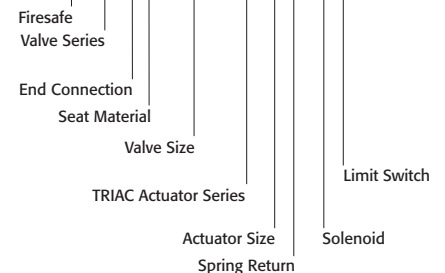
SIZED FOR 80 psi AIR SUPPLY	
SIZE	MODEL
1/2"	FD9-6C-050/2R2S-XX
3/4"	FD9-6C-075/2R3S-XX
1"	FD9-6C-100/2R3S-XX
1-1/2"	FD9-6C-150/2R4S-XX
2"	FD9-6C-200/2R5S-XX

SIZED FOR 60 psi AIR SUPPLY	
SIZE	MODEL
1/2"	FD9-6C-050/2R3S-XX
3/4"	FD9-6C-075/2R3S-XX
1"	FD9-6C-100/2R3S-XX
1-1/2"	FD9-6C-150/2R5S-XX
2"	FD9-6C-200/2R6S-XX



Germany Patent No. 299 02 532.2
United States Patent No. 5,954,088
China Patent No. ZL 98 2 09161.3

SAMPLE PART #
FD9-6C-100/2R3S-XX



See valve part number matrix for complete part number and options.

OPTIONS

DESCRIPTION	PART NO. SUFFIX	DESCRIPTION	PART NO. SUFFIX
NEMA 4 Solenoid	(A)	NEMA 4 Limit Switch (2) spdt	(A)
NEMA 7 Solenoid	(B)	NEMA 7 Limit Switch (2) spdt	(B)
Intrinsically Safe Solenoid	(C)	Intrinsically Safe Limit Switch	(C)

Other options available - call for details
Actuators are sized based on clean/clear fluid.

Electric

Automated Ball Valve Package

Series FD9-F6
ASME Class 600
Flanged Ball Valve
Direct Mount

Firesafe

Sizes 1/2" - 2"

Available in 316SST or WCB

ASME Class 600

Full Port Design

Superior Live Loaded Packing System

Blowout Proof Stem w/ Dual Anti-Static Devices

CTFE Seats Standard

Pyramidal Stem Seal Design

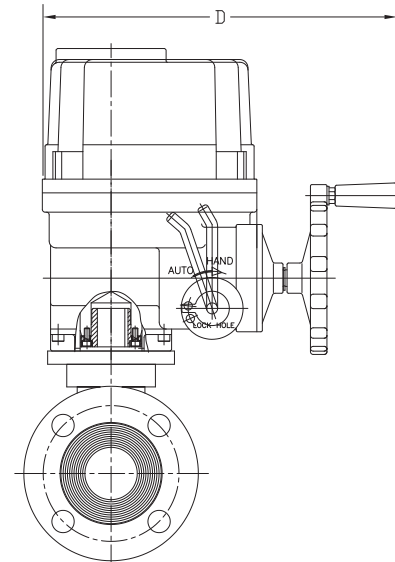
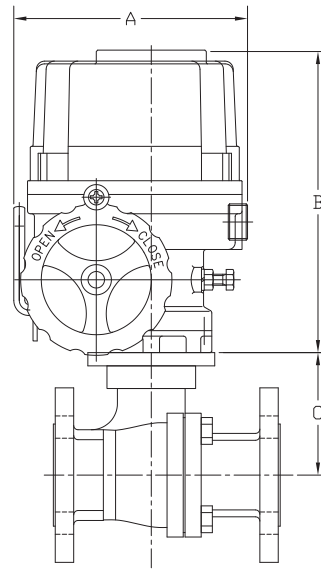
STANDARDS

Design	ASME B16.34 (fully conforms)
Face to Face	ASME B16.10
Flange Dimensions	ASME B16.5
Pressure Testing	API 598
Fire Testing	API 607-6th Edition
Sulfide Stress Protection	NACE MR0175
Mounting	ISO 5211
Marking System for Valves	MSS SP-25
Safety Integrity	IEC 61508:2010; SIL 3
Material Certification	EN 10204-3.1 MTR
Quality Assurance	ISO 9001:2015
Fugitive Emissions	ISO 15848-1

**API 607 - 6th Edition
CERTIFIED**



600# Flanged
Firesafe Tested to API-607
Direct Mount



DIMENSIONS (IN)

VALVE SIZE	A	B	C	D	VALVE Cv
1/2"	5.94	5.24	1.92	4.08	28
3/4"	5.94	5.24	2.50	4.08	50
1"	5.94	5.24	2.68	4.08	95
1-1/2"	6.69	9.25	3.51	10.16	260
2"	6.69	9.25	4.33	10.16	485

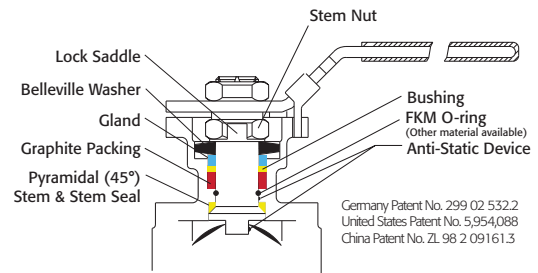
DIMENSIONS SHOWN ARE FOR ASSEMBLIES SIZED FOR 80 PSI SUPPLY

SERIES FD9-F6 600# Flanged Direct Mount

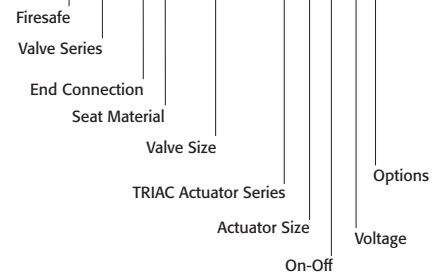
Firesafe

ON-OFF	
SIZE	MODEL
1/2"	FD9-6C-050/WEA1-XX
3/4"	FD9-6C-075/WEA1-XX
1"	FD9-6C-100/WEA1-XX
1-1/2"	FD9-6C-150/WEB1-XX
2"	FD9-6C-200/WEB1-XX

MODULATING	
SIZE	MODEL
1/2"	FD9-6C-050/WEA2-XX
3/4"	FD9-6C-075/WEA2-XX
1"	FD9-6C-100/WEA2-XX
1-1/2"	FD9-6C-150/WEB2-XX
2"	FD9-6C-200/WEB2-XX



SAMPLE PART #
FD9-6C-100/WEA1-XX



See valve part number matrix for complete part number and options.

OPTIONS	
DESCRIPTION	
24 VAC/24 VDC/220 VAC	
Feedback potentiometer	

Other options available - call for details
Actuators are sized based on clean/clear fluid.

HOW TO ORDER: Manual Valves

Series FD9-F6

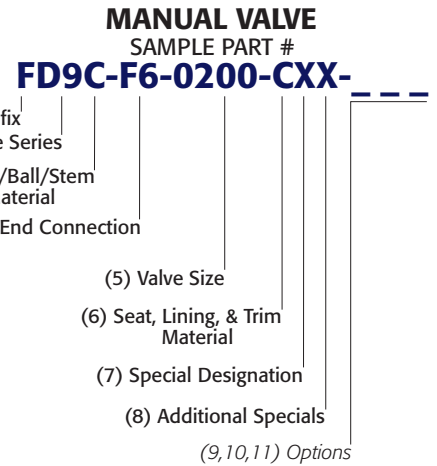
1	Prefix
F	Firesafe Tested <i>(see valve series for details & testing)</i>

2	Valve Series
D9	Direct Mount Flanged

3	Body/Ball/Stem Material
Blank	Valve Series Standard (316SST)
C	Carbon Steel Body

4	End Connection
F6	600# Flanged Ends

5	Valve Size
0050	1/2"
0075	3/4"
0100	1"
0150	1-1/2"
0200	2"



6	Seat, Lining & Trim Materials
P	Virgin TFE (PTFE)
S	50/50 STFE Seats
C	25% CS Powder / 75% TFE Seats (CTFE) <i>(standard)</i>
T	TFM™-1600
A	50% SS Powder / 50% TFM™-1600 (STFM)
Z	PEEK

7	Special Designations
X	No Specials/Series Standard
G	Gear Operator
H	Gear Operator with Lockout Plate
4	4" Lockable Stem Extension

8	Additional Specials
X	No Specials, Series Standard
O	Oxygen Cleaned
V	Vented Ball
E	Bonnet Extension Lockable Handle
D	Degreased & Bagged
A	Vented Ball, Degreased & Bagged
B	Vented Ball, Oxygen Cleaned

OPTIONS:

9	Special Designation
Blank	No Designation, Valve Series Standard
X	Multiple Option Designation
A	17-4 PH® Stem
H	Hard Coated (HMF) Ball

10	O-Ring
X	Multiple Option Designation
2	Markez® Z1028
4	Karlez 4079
6	Karlez 6375
7	Perlast® G75M
9	Chemraz® 564
B	Low Temp Buna
E	EPDM

11	Additional Specials
X	Multiple Option Designation
B	B7M Bolting
M	Marine Epoxy Coating

17-4 PH® is a registered trademark of AK Steel Corporation.
Chemraz® is a registered trademark of Greene, Tweed & Co.
Markez® is a registered trademark of Marco Rubber & Plastic Products Inc.
Perlast® is a registered trademark of Precision Polymer Engineering Limited.
TFM™ is a trademark of Dyneon™, a 3M Company.

HOW TO ORDER: Automated Valves w/ Options

1	Prefix
F	Firesafe Tested (see valve series for details & testing)

2	Valve Series
D9	Direct Mount Flanged

3	Body/Ball/Stem Material
Blank	Valve Series Standard (316SST)
C	Carbon Steel Body

4	End Connection
6	600# Flanged Ends

5	Seat, Lining & Trim Materials
P	Virgin TFE (PTFE)
S	50/50 STFE Seats
C	25% CS Powder / 75% TFE Seats (CTFE) (standard)
T	TFM™-1600
A	50% SS Powder / 50% TFM™-1600 (STFM)
Z	PEEK

6	Valve Size
050	1/2"
075	3/4"
100	1"
150	1-1/2"
200	2"

7	Actuator - Pneumatic (DA)			
TRYD	TR10DA	2R7D	2R500DA	
TR1D	TR20DA	2R8D	2R850DA	
2R2D	2R40DA	2R9D	2R1200DA	
2R3D	2R80DA	2R0D	2R1750DA	
2R4D	2R130DA	2RAD	2R2500DA	
2R5D	2R200DA	2RBD	2R3500DA	
2R6D	2R300DA			

7	Actuator - Pneumatic (SR)			
TR1S	TR20SR	2R7S	2R500SR	
2R2S	2R40SR	2R8S	2R850SR	
2R3S	2R80SR	2R9S	2R1200SR	
2R4S	2R130SR	2ROS	2R1750SR	
2R5S	2R200SR	2RAS	2R2500SR	
2R6S	2R300SR	2RBS	2R3500SR	

7	Actuator - Pneumatic Stainless (DA)			
S21D	S2-052DA	S25D	S2-125DA	
S22D	S2-063DA	S26D	S2-140DA	
S23D	S2-083DA	S27D	S2-160DA	
S24D	S2-105DA	S28D	S2-210DA	

7	Actuator - Pneumatic Stainless (SR)			
S21S	S2-052SR	S25S	S2-125SR	
S22S	S2-063SR	S26S	S2-140SR	
S23S	S2-083SR	S27S	S2-160SR	
S24S	S2-105SR	S28S	S2-210SR	

7	Actuator - Electric (On-Off)			
WEX1	WE-350	WEG1	WE-5200	
WEA1	WE-500	WEH1	WE-6900	
WEB1	WE-690	WEJ1	WE-10500	
WEC1	WE-1350	WEK1	WE-17500	
WED1	WE-1700	WEL1	WE-25900	
WEE1	WE-2640	WEM1	WE-53000	
WEF1	WE-4400	WEN1	WE-80000	

7	Actuator - Electric (Modulating)			
WEA2	WEM-500	WEH2	WEM-6900	
WEB2	WEM-690	WEJ2	WEM-10500	
WEC2	WEM-1350	WEK2	WEM-17500	
WED2	WEM-1700	WEL2	WEM-25900	
WEE2	WEM-2640	WEM2	WEM-53000	
WEF2	WEM-4400	WEN2	WEM-80000	
WEG2	WEM-5200			

OPTIONS:

8	Accessories/Options	Model no.
X	No Specials	
A	TYPE 4 Solenoid 120VAC	TVCS-X411-4N-A120
B	TYPE 7 Solenoid 120VAC	TVCG-X411-7N-A120
C	Intrinsically Safe Solenoid	TVIS-X411-4N-D24
D	TYPE 4 Solenoid 24VDC	TVCS-X411-4N-D24
F	TYPE 7 Solenoid 24VDC	TVCG-X411-7N-D24
Q	TYPE 4 SST Solenoid 120VAC	TVSS-X411-4N-A120
M	TYPE 7 SST Solenoid 120VAC	TVSS-X411-7N-A120
L	TYPE 4 SST Solenoid 24VDC	TVSS-X411-4N-D24
N	TYPE 7 SST Solenoid 24VDC	TVSS-X411-7N-D24
P	Pneumatic Positioner	PPR-1200
E	Electro-Pneumatic Positioner	EPR-1000
R	24VDC Electric Actuator	
S	220VAC Electric Actuator	
T	Other Voltage Electric Actuator	
W	12VDC Electric Actuator	
Y	24VAC Electric Actuator	

** No voltage specified on electric assemblies denotes 120VAC*

9	Accessories	Model no.
X	No Specials	
A	TYPE 4 Limit Switch	APL-210N/APL-310N
B	TYPE 7 Limit Switch	APL-510N
C	Intrinsically Safe Limit Switch	APL-218N
Q	TYPE 4 SST Limit Switch	APL-910N
M	TYPE 7 SST Limit Switch	APL-510S
1	HS1 High Speed Electric	
2	HS2 High Speed Electric	

10	Special Designation
Blank	No Designation, Valve Series Standard
X	Multiple Option Designation
A	17-4 PH® Stem

*17-4 PH® is a registered trademark of AK Steel Corporation.
TFM™ is a trademark of Dyneon™, a 3M Company.*

AUTOMATED VALVE SAMPLE PART # FD9-6C-150/2R3D-XX-

(1) Prefix																				
(2) Valve Series																				
(3) Body/Ball/Stem Material																				
(4) End Connection																				
(5) Seat, Lining & Trim Material																				
(6) Valve Size																				
(7) TRIAC Actuator Series																				
(7) Actuator Size																				
(7) Double Acting																				
(8) Accessory																				
(9) Accessory																				
(10) Special Designation																				



9955 International Blvd.
Cincinnati, Ohio 45246
www.atcontrols.com

PHONE (513) 247-5465
FAX (513) 247-5462
sales@atcontrols.com