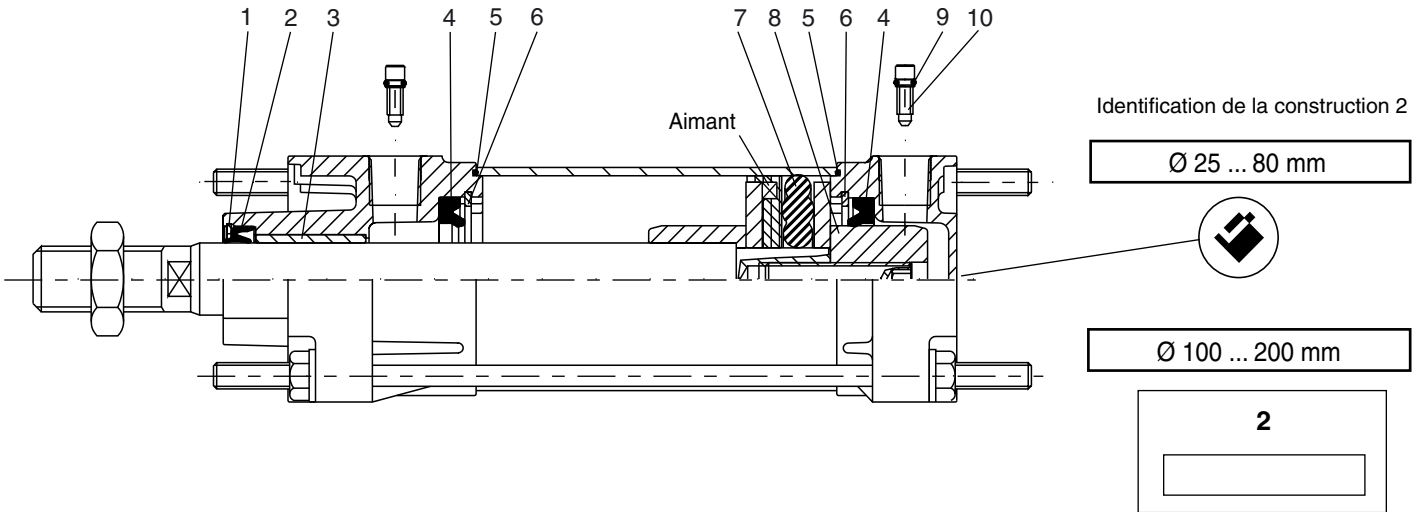
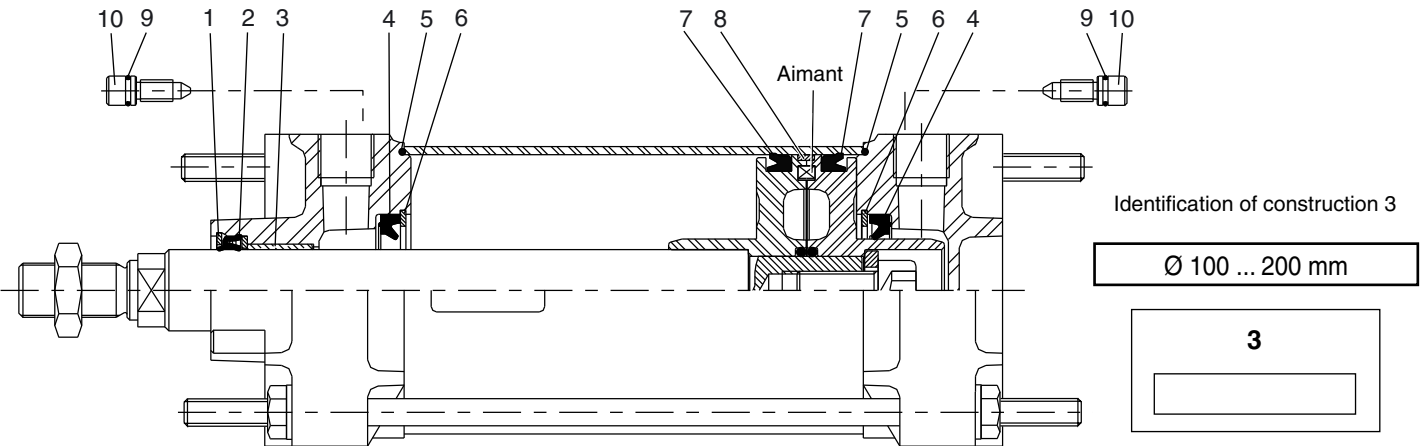


**CONSTRUCTION II**



**CONSTRUCTION III**



Ø	cylinder type	catalogue number		
		bearing + rod seal (item 1, 2, 3)	seals (items 4 to 10) (except rep 6 for Ø 25 to 100)	
			construction II	construction III
25	Equipped or not for detector	97801393	97801412	
32	Equipped or not for detector	97801393	97801394	
40	Equipped or not for detector	97801395	97801396	
50	Equipped or not for detector	97801395	97801398	
63	Equipped or not for detector	97801399	97801400	
80	Equipped or not for detector	97801399	97801402	
			construction II	construction III
100	Equipped or not for detector	97801543	97801551	97802263
125	Equipped or not for detector	97801569	97801552	97802264
160	Equipped or not for detector	97801544	97801553	97802265
200	Equipped or not for detector	97801544	97801554	97802266

NOTE: For best results, use grease supplied in each kit.  
Supplementary tube (11 cm<sup>3</sup>) available upon request, cat no.: 97802100

