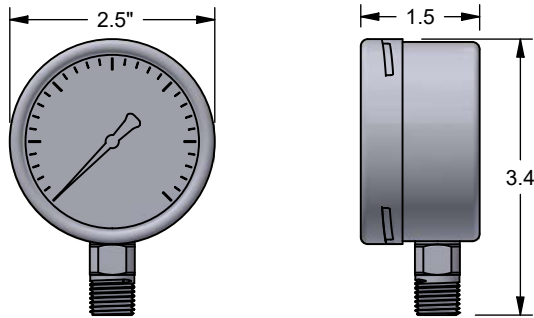


## ALL STAINLESS STEEL LOW PRESSURE GAUGE

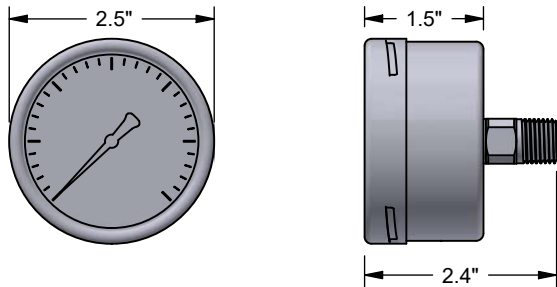
Reotemp's Series PC low pressure gauges offer accurate and reliable measurements of gaseous media. Offered with stainless steel internals, the Series PC is designed to withstand corrosive media and ensure a long-lasting instrument.



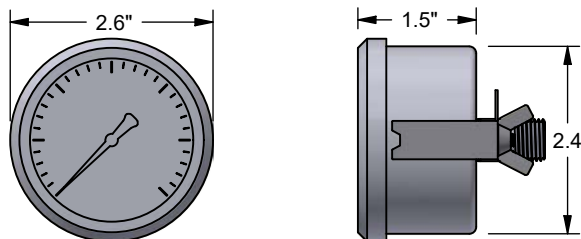
PC25S1



Bottom



Back Connect



U-Clamp



Dials



Custom Logo



Diaphragm Seal  
Compatible

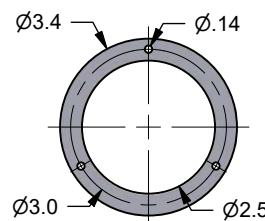
### FEATURES / BENEFITS

- Sensitive Diaphragm/Capsule Mechanism
- All-Welded 316 Stainless Steel Capsule and Socket
- Easy-Access Zero Reset Screw on Dial



### SPECIFICATIONS

<b>Accuracy</b>	±1.6%
<b>Ambient Limits</b>	-40°F/150°F
<b>Process Limits</b>	-40°F/200°F
<b>Process Limits with Diaphragm Seal</b>	-60°F/350°F (Direct Mount)* -110°F/750°F (Remote Mount or Cooling Tower)* *Exact limits depend on diaphragm seal and fill fluids.
<b>Wetted Materials</b>	Capsule: 316L Socket: 316L
<b>Lens</b>	Laminated Safety Glass (Standard) or Plastic
<b>Other Materials</b>	Case: 304SS Ring: 304SS, Bayonet Twist-Off Dial: White Aluminum, Black Letters Case-to-Socket: FPM O-Ring, Vented Case
<b>Fillable</b>	Yes, ≥ 40 in H <sub>2</sub> O Range Span
<b>Restrictor Screw</b>	Yes
<b>Maximum Working Pressure</b>	Stable = 100% Momentary = 130% of scale
<b>Weight</b>	2.5" = 0.4 lbs, Filled 0.7lbs



Mounting Flange  
Bayonet Case

## ALL STAINLESS STEEL LOW PRESSURE GAUGE



Visit [reotemp.com](http://reotemp.com)

- ✓ Check Stock
- ✓ Get Price
- ✓ Configure Part #
- ✓ Download PDF Data Sheets

**HOW TO ORDER:** Choose options to build a part number. For example: **PC25S1A4P52-D-S-HV**

PC25	S	1	A	4	P52	-D	-S	-HV
DIAL SIZE	CASE TYPE	CAPSULE & SOCKET	MOUNT TYPE	CONNECTION	RANGE CODE	CASE FILL	LENS	OPTIONS
PC25 = 2.5"	S = 304SS Case & Bezel w/ Removable Bayonet, Zero Correction on Dial *C = 304SS Crimped Case, Zero Correction on Dial Access Through Window *T = 316SS Case and Bezel with Removable Bayonet	1 = 316SS	A =  Bottom B =  Bottom/Rear Flange *C =  Center Back *D =  Center Back "U" Clamp <sup>1</sup> *E =  Center Back/Front Flange	4 = 1/4" NPT	<b>Common Ranges</b> <b>P50</b> = 0-10 in H <sub>2</sub> O <b>P51</b> = 0-15 in H <sub>2</sub> O <b>P52</b> = 0-30 in H <sub>2</sub> O <b>P53</b> = 0-60 in H <sub>2</sub> O <b>P54</b> = 0-100 in H <sub>2</sub> O <b>P55</b> = 0-160 in H <sub>2</sub> O <b>P56</b> = 0-200 in H <sub>2</sub> O  <b>Available Ranges</b> ■ 10" to 300" Water Column ■ Gauge Pressure, Vacuum, or Compound  <b>Standard Units</b> ■ in H <sub>2</sub> O  <b>Available Units</b> ■ kPa      ■ inHg ■ mbar     ■ mmHg ■ psi      ■ oz/in <sup>2</sup> ■ mmH <sub>2</sub> O   ■ & more  <i>For Additional Range Codes See Page 70</i>	-D = Dry -G = Glycerin**  **40 in H <sub>2</sub> O Span or Greater  Case is Not Field Fillable	-P = Plastic -S = Laminated Safety Glass	-HV = Hi-Vis™ Dial -OX = Cleaned for O <sub>2</sub> Service -C3 = 3 pt. Calibration Certificate -TS = Stainless Steel Tag -NC = NACE Compliance Certificate -PM = Positive Material Identification Certification -R1 = ± 1% Full Scale Accuracy Upgrade  <i>For Additional Pressure Gauge Options See Page 75</i>

\*Non-standard configuration  
<sup>1</sup>For mount type D you must select case type C

### Diaphragm Seal Suitability Guide

Low pressure capsule gauges are very sensitive and require diaphragm seals with high sensitivity and high fluid displacement. If a diaphragm seal is required to isolate the process fluid from the pressure gauge, the following seal model types are available for the Series PC.

#### Diaphragm Seal Model

High Displacement



#### Total Gauge Span\* (in H<sub>2</sub>O)

	10"	15"	20"	30"	40"	60"	100"	160"	200"	300"
W6	X	X	X	X	X	X	S	S	T	T
W7	X	X	X	S	S	T	T	T		
V5	X	S	S	T	T	T	T	T		
T6	X	X	X	X	X	S	S	S	S	S

\*Total gauge span is additive of negative and positive pressures.

Example: -15 - 0 - 30 psi = 45 psi span

- Assembly will function correctly with minimal accuracy degradation.
- T Assembly will function correctly given stable temperature.
- S Assembly is highly sensitive to orientation and temperature variance. Reotemp cannot guarantee a stated accuracy.
- X Assembly will not work. The diaphragm does not displace enough fill fluid to drive the pressure gauge.

## PRESSURE GAUGE RANGES AND CODES

PRESSURE GAUGES

### LOW PRESSURE RANGES (PC SERIES ONLY)

Low Pressure Ranges									
inH <sub>2</sub> O		oz/in <sup>2</sup>		inH <sub>2</sub> O & oz/in <sup>2</sup>		mbar		psi	
Code	Range	Code	Range	Code	Range	Code	Range	Code	Range
P50D	0-1.6 inH <sub>2</sub> O *					M50D	0-4 mbar*		
P504	0-4*					M504	0-10*		
P506	0-6*					M506	0-16*		
P50	0-10	Z50	0-6 oz/in <sup>2</sup>	Q50Z	0-10 inH <sub>2</sub> O & 0-6 oz/in <sup>2</sup>	M50	0-25		
P51	0-15	Z51	0-8			M51	0-40		
P49	0-20	Z49	0-10	Q49C	0-20 & 0-12				
P515	0-25	Z52E	0-15			M522	0-60		
P52	0-30			Q52N	0-30 & 0-18	M521	0-70	I52	0-1 psi
P525	0-40	Z52	0-20	Q525W	0-40 & 0-24	M525	0-100		
P53	0-60	Z535	0-35	Q53	0-60 & 0-35	M53F	0-150	I53	0-2**
P54	0-100	Z54	0-60	Q54B	0-100 & 0-60	M54	0-250	I54	0-3
P55	0-160					M55	0-400	I55	0-5
P56	0-200	Z56	0-100	Q56C	0-200 & 0-115	M56	0-500	I56	0-7
Vacuum Ranges									
P88	-10-0 inH <sub>2</sub> O	Z88	-6-0 oz/in <sup>2</sup>	Q88	-10/0 inH <sub>2</sub> O & -6/0 oz/in <sup>2</sup>				
P90	-30-0	Z90	-20-0	Q90	-30/0 & -18/0	M905	-100-0 mbar	I90	-1-0 psi
P91	-60-0	Z91	-30-0	Q91	-60/0 & -35/0	M94	-200-0	I91	-2-0
P92	-100-0	Z92	-60-0	Q92	-100/0 & -60/0	M95	-400-0		
Compound Ranges									
P7A	-5/0/5 inH <sub>2</sub> O	Z7A	-3/0/3 oz/in <sup>2</sup>			M71	-20/0/20 mbar		
P70	-10/0/10			Q70C	-10/0/10 inH <sub>2</sub> O & -6/0/6 oz/in <sup>2</sup>	M72E	-30/0/30		
P71	-15/0/15					M72	-40/0/40		
P72	-20/0/20	Z72	-10/0/10	Q72C	-20/0/20 & -12/0/12	M72A	-50/0/50	I73	-1-0-1 psi
P73	-30/0/30			Q73C	-30/0/30 & -18/0/18	M735	-100/0/100	I74	-2-0-2
P74	-60/0/60	Z745	-30/0/30					I55U	-3/0/3
P75	-100/0/100			Q75B	-100/0/100 & -60/0/60			P14C	-5/0/5

\*available on 4" & 6" sizes only  
 \*\*short scaled range

## PRESSURE GAUGE OPTIONS

PRESSURE GAUGES

Part #	Description	Commercial Gauges		Low Pressure Capsule Gauges				Test Gauges
		PD15/20/25	PD35/40	PC25N	PC25S2	PC25/40/60S1	PC45	PL60/45
<b>CASE FILL OPTIONS</b>								
-G	Glycerin Filled Case	N/A	N/A	N/A	N/A	✓	N/A	N/A
-W	Glycerin Water Filled Case (65/35)	N/A	N/A	N/A	N/A	N/A	N/A	N/A
-S	Silicone Filled Case	N/A	N/A	N/A	N/A	N/A	N/A	N/A
-T	Teflon-coated Movement (No Case Fill)	N/A	N/A	N/A	N/A	✓	✓	✓
-I	Inert Case Fill	N/A	N/A	N/A	N/A	N/A	N/A	N/A
<b>LENS OPTIONS</b>								
-P	Plastic Lens	✓	MQ	✓	✓	✓	✓	✓
-T	Tempered Safety Glass Lens	N/A	N/A	N/A	N/A	N/A	STD	STD
-S	Laminated Safety Glass Lens	N/A	N/A	N/A	N/A	STD	✓	✓
-G	Plain Glass	MQ	STD	N/A	STD	N/A	N/A	N/A
<b>POINTER OPTIONS</b>								
-RP	Red Pointer	N/A	N/A	N/A	N/A	N/A	N/A	✓
-MP	Min/Max Pointer (Drag Hand)†	N/A	N/A	N/A	N/A	N/A	N/A	N/A
-MQ	Min/Max Pointer (Tamper-proof)†	N/A	N/A	N/A	N/A	N/A	N/A	N/A
-RH	Red Set Hand (Manual Adjustment)	N/A	N/A	N/A	N/A	N/A	✓	N/A
-EC	Electrical Contacts	N/A	N/A	N/A	N/A	N/A	N/A	N/A
<b>DIAL OPTIONS</b>								
-CL	Custom Logo Dial	MQ	MQ	MQ	MQ	✓	✓	✓
-HV	Hi-Vis Dial	✓	✓	✓	✓	✓	✓	N/A
-CB	Color Band	MQ	MQ	MQ	MQ	✓	✓	N/A
-CP	Color Pie	MQ	MQ	MQ	MQ	✓	✓	N/A
-DM	Dial Marking	MQ	MQ	✓	✓	✓	✓	✓
-LP	Removable Lens Protector	N/A	N/A	N/A	N/A	N/A	N/A	N/A
<b>CALIBRATION OPTIONS</b>								
-R1	Upgrade to 1% FS Accuracy	N/A	N/A	N/A	N/A	✓	✓	N/A
-R2	Upgrade to 0.5% FS Accuracy	N/A	N/A	N/A	N/A	N/A	N/A	N/A
-R5	Upgrade to 1.5% or 1.6% FS Accuracy	N/A	N/A	N/A	N/A	STD	✓	N/A
-C1	1pt. NIST Calibration Cert	✓	✓	✓	✓	✓	✓	N/A
-C3	3pt. NIST Calibration Cert	✓	✓	✓	✓	✓	✓	N/A
-C5	5pt. NIST Calibration Cert	✓	✓	✓	✓	✓	✓	N/A
-CX	10pt. NIST Calibration Cert	✓	✓	✓	✓	✓	✓	
-CS	Calibration Sticker (No logged pts.)	✓	✓	✓	✓	✓	✓	N/A
<b>TAG OPTION</b>								
-TS	Stainless Steel Tag (1-10 Characters)	✓	✓	✓	✓	✓	✓	✓
-TM	Stainless Steel Tag (11-80 characters)	✓	✓	✓	✓	✓	✓	✓
-TP	Paper Tag	✓	✓	✓	✓	✓	✓	✓
<b>CERTIFICATION OPTIONS</b>								
-CM	General Material Conformance	✓	✓	✓	✓	✓	✓	✓
-NC	Certificate of NACE Compliance	N/A	N/A	N/A	N/A	✓	✓	✓
-PM	Positive Material Identification Certificate (PMI)	✓	✓	✓	✓	✓	✓	✓
-HT	Hydrostatic Test per ASME B31.3 (5 min)	✓	✓	✓	✓	✓	✓	✓
-LC	Argon Leak Check Certificate	✓	✓	✓	✓	✓	✓	✓
<b>CLEANING OPTIONS</b>								
-DG	Degreased - Wiped Clean of Oils, Shipped in Sealed Bag	N/A	N/A	✓	✓	✓	✓	✓
-OX	Cleaned for Oxygen Service per ASME B40.1	MQ	MQ	✓	✓	✓	✓	✓
-OY	Cleaned for Oxygen Service per MIL-STD-1330D	N/A	N/A	✓	✓	✓	✓	✓
<b>OTHER OPTIONS</b>								
-NR	No Restrictor Screw	N/A	N/A	N/A	✓	✓	✓	N/A

✓	Indicates that the option is available with the model.	N/A	Indicates the option is not available with this model.
STD	Indicates standard options with no additional cost.	MQ	Minimum order quantity applies.

†This option is only available with a plastic lens.