



CSA INTERNATIONAL

To:	TSSA	From:	Renzo Pupulin
Company:	Emerson Process Managementl	Phone:	416-747-2345
Fax:	416-231-6183	Fax:	416-401-6789
Pages:	6	Location:	Toronto
Our File:	ANR-1966	Date:	April 19, 2011

Your File: 536744

**Subject: Request for Design Registration**

Dear Ms. Francis:

CSA has reviewed the documentation submitted by TSSA on behalf of Emerson Process Management. These fittings have been registered by CSA for the Province of Québec. In accordance with an agreement between CSA, the Provinces of Québec, Manitoba and Saskatchewan, this registration is recognized by both Manitoba and Saskatchewan, (see copies of attachments), and these fittings are acceptable for use in these Provinces. A copy of the stamped Statutory Declaration is attached with the prefix CSA per the agreement.

The CRN is CSA-0F14081.56.

The cost for this service is \$ 760.00 plus HST.

A copy of the Statutory Declaration with an original stamp affixed will be forwarded to you along with our invoice by regular mail.

Yours truly,

Renzo Pupulin C.E.T.  
Product Group Manager  
Gas Appliances and Accessories  
[renzo.pupulin@csa-international.org](mailto:renzo.pupulin@csa-international.org)



**TECHNICAL STANDARDS & SAFETY AUTHORITY**  
 14th-Floor, Centre-Tower  
 3300 Bloor Street West  
 Toronto, Ontario  
 Canada M8X 2X4

Show facsimile of manufacturer's logo or trademark, as it will appear on the fitting, in the space below

**ROSEMOUNT®**  
 Analytical

**STATUTORY DECLARATION**  
 Registration of Fittings

I, Dana Crowley, Manager of Compliance and Test Engineering  
(Name and Position, e.g. President, Plant Manager, Chief Engineer)

of Emerson Process Management, Rosemount Analytical, Inc.  
(Name of Manufacturer)

**Located at** 2400 Barranca Parkway, Irvine CA 92651 (949) 757-8500 (949 474-7250)  
(Plant Address) (Telephone No.) (Fax No.)

do solemnly declare that the fittings listed hereunder, which are subject to the **Technical Standards and Safety Act**, Boilers and Pressure Vessels Regulation, comply with all of the requirements of

(Title of recognized North American Standard)  
 \_\_\_\_\_  
 which specifies the dimensions, materials of construction, pressure/temperature ratings, identification marking the fittings and service;

or are not covered by the provisions of a recognized North American standard and are therefore manufactured to comply with \_\_\_\_\_ as supported by the attached data which identifies the dimensions, material of construction, pressure/temperature ratings and the basis for such ratings, the marking of the fitting for identification and service.

\*product data sheets and applicable requirements of CSA standard B51  
 I further declare that the manufacture of these fittings is controlled by a quality system meeting the requirements of ISO 9001:2008 which has been verified by the following authority, Det Norske Veritas

The items covered by this declaration, for which I seek registration, are category \_\_\_\_\_ (F) \_\_\_\_\_ type fittings. In support of this application, the following information and/or test data are attached as follows:  
Model 3900 pH sensor proof pressure tests (RCMT test report 13014-TRT-00001, Rev00)

(drawings, calculations, test reports, etc.)

Declared before me at Rosemount Analytical Inc. in the County \_\_\_\_\_ of Orange

the 14<sup>TH</sup> day of January AD 2011



Commissioner for Oaths:

CATHERINE ANN STIP  
(Printed name)  
Catherine Ann Stip  
(Signature)

Dana Crowley  
(Signature of Declarer)

**FOR OFFICE USE ONLY**


To the best of my knowledge and belief, the application meets the requirements of the **Technical Standards and Safety Act**, Boilers and Pressure Vessels Regulation, and CSA Standard B51 and is accepted for registration in Category F

CRN: CSA-OF14081.56

Registered by: Bikramjit S. Sandhu, P.Eng

Dated: 18 April 2011

NOTE: This registration expires on Feb 02, 2021


  
**CSA INTERNATIONAL**  
**REGISTERED**  
 C.R.N.: CSA-OF14081.56  
 Signed: Bikramjit Sandhu  
 Date: 18 April 2011  
 178 Rexdale Blvd., Toronto, ON M9W 1R3

\*Note: See the attachment for the scope of the registration



REVISION				
LTR	ECO	DESCRIPTION	BY	DATE

D  
1700721



**CANADIAN STANDARDS ASSOCIATION**

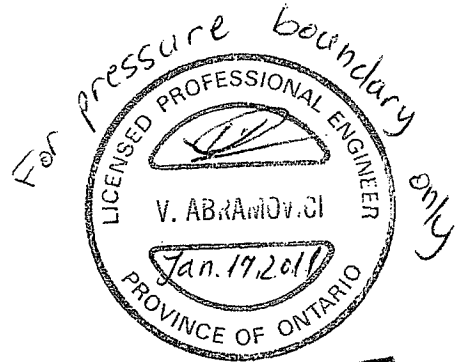
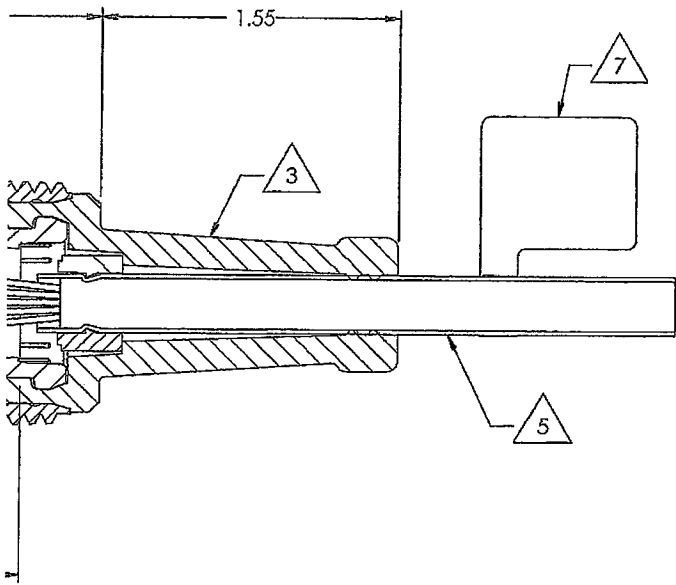
ATTACHMENT TO

CRN CSA-0F14081.56

SIGNED Bikerang Sandhu

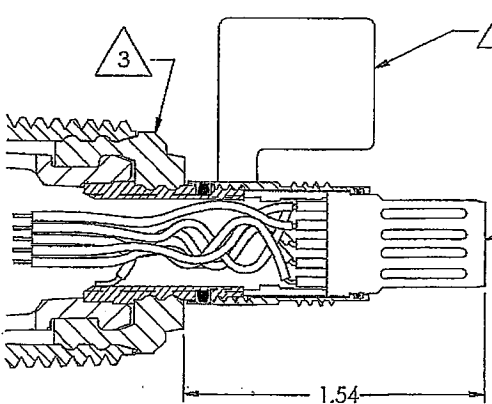
178 Rexdale Boulevard, Toronto, ON Canada M9W 1R3

), TEFLON, 250V.  
LON, 250V.



**THIS IS PART OF**  
**CRN OF 14081.5**  
**Technical Standards & Safety Authority**  
**Boilers & Pressure Vessels**  
**Safety Program**

*NOTE: DES. PRESS. 60 PSI @ 212°F. 1/4" IN FEB 02/11*



P  
TOR END

THIS DOCUMENT IS CERTIFIED BY
REV. _____
REV. _____
REV. _____
REV. _____
REV. _____
REVISIONS NOT PERMITTED W/O AGENCY APPROVAL

C  
ENGR MASTER

DIMENSIONS ARE IN INCHES  
REMOVE BURRS & SHARP EDGES  
MACHINE FILLET RADII .020 MAX  
NOMINAL SURFACE FINISH: 125  
ANGLES ± 1/2°  
.XX ± .03 .XXX ± .010

APPROVALS		DATE
DRAWN	C. HOANG	11-11-10
CHECKED	J. PERKINS	11-19-10
ENG APPR	<i>BME 1243.10</i>	
THIS FILE CREATED USING SOLID EDGE		

Emerson		ROSEMOUNT
PROCESS MANAGEMENT		ANALYTICAL
TITLE 3900 SENSOR APPROVAL DRAWING		
SIZE	DWG NO	REV
D	1700721	A
SCALE: 2:1	WEIGHT:	SHEET 1 OF 2

	LQD10286	A
RELEASE DATE	ECO NO	REV



# DET NORSKE VERITAS

## MANAGEMENT SYSTEM CERTIFICATE

Certificate No. CERT-09242-2006-AQ-HOU-ANAB Rev. 1

*This is to certify that*

**Emerson  
Process Management  
Rosemount Analytical**

*at*

2400 Barranca Parkway, Irvine, CA 92606 USA

*Additional Location:*

Site Name	Site Address	Site City	Site State	Site Main Activities
Emerson Process	Circuito del Progreso # 27 Parque Industrial Progreso	Mexicali B.C.	Mexico 21190	Manufacturing, Test, Inspection, Material
Emerson Process	6565P Davis Industrial Parkway	Solon	OH 44139	Order Processing, Purchasing, Design, Marketing

*has been found to conform to the Management System Standard:*

**ISO 9001:2008**

*This Certificate is valid for the following product or service ranges:*

**DESIGN AND MANUFACTURE OF ANALYTICAL PROCESS INSTRUMENTATION**

*Initial Certification date:*

July 16, 2009

*Place and date:*

Houston, Texas, October 02, 2009

*This Certificate is valid until:*

July 13, 2012

*for the Accredited Unit:*

DET NORSKE VERITAS  
CERTIFICATION INC., HOUSTON TEXAS



*The audit has been performed under the supervision of*

Roy Celestino  
*Lead Auditor*

Rudy Frueboes  
*Management Representative*

Lack of fulfillment of conditions as set out in the Certification Agreement may render this Certificate invalid.

# Manitoba



Labour

Mechanical and Engineering

500 — 401 York Avenue  
Winnipeg MB R3C 0P8  
CANADA

PH: (204) 945-3373  
FAX: (204) 948-2308

April 22, 1998

The Province of Manitoba will be participating with Quebec, Saskatchewan and the Canadian Standards Association in a pilot project for the registration of fittings. We will recognize registrations done by CSA and accept such fittings for use in Manitoba. The letters CSA will be applied in front of the CRN to indicate which fittings have been registered in this manner. I would appreciate it if you could inform your clients of this additional marking request.

You may now inform your clients that the CSA registration is acceptable in Manitoba.

Yours truly,

A handwritten signature in cursive script, which appears to read "I.W. Mault".

I.W. Mault, P.Eng.  
Director



Saskatchewan  
Municipal  
Government

## Saskatchewan

Protection Services  
330 - 1851 Victoria Avenue  
Regina, Saskatchewan  
S4P 3V7

787-4509

April 23, 1998

### Re: Fittings Registration

The Province of Saskatchewan will be participating with Quebec, Manitoba and the Canadian Standards Association (CSA) in a pilot project for the registration of fittings. We will recognize registrations done by CSA and accept such fittings for use in Saskatchewan.

The letters CSA will be applied as a prefix to the CRN to indicate which fittings have been registered in this manner. I would appreciate if you could inform your clients of this additional marking requirement.

You may also inform your clients that fittings registered by CSA are accepted for use in Saskatchewan.

Yours truly,

N. Surtees, P. Eng.  
Executive Director