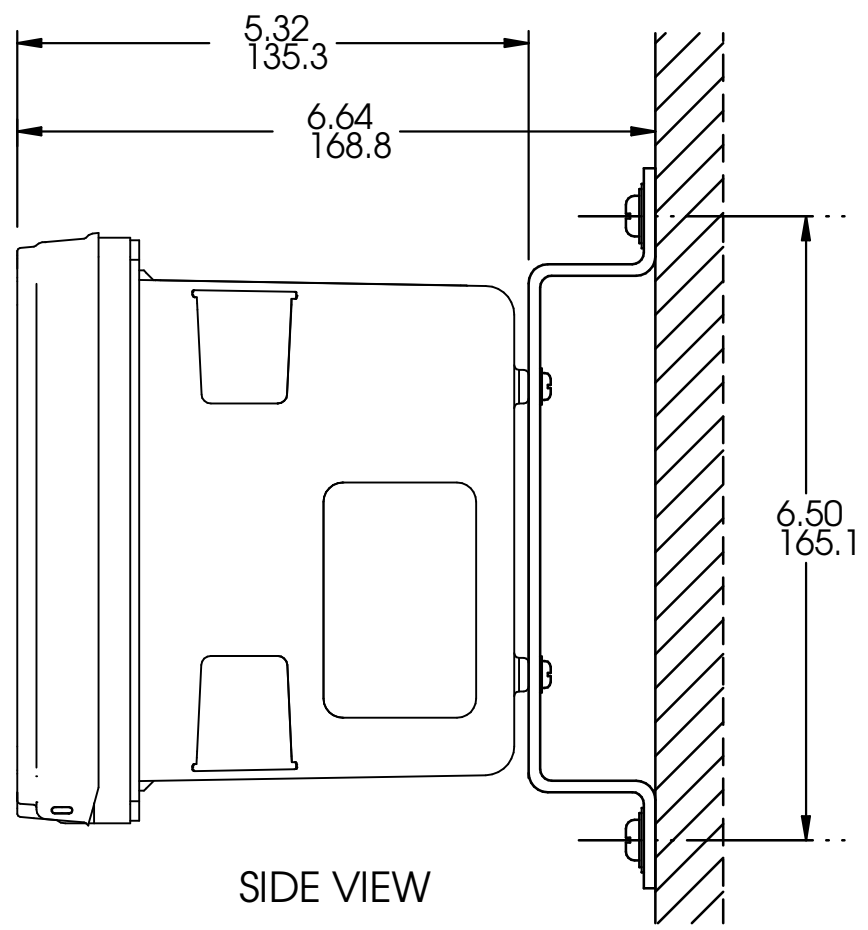
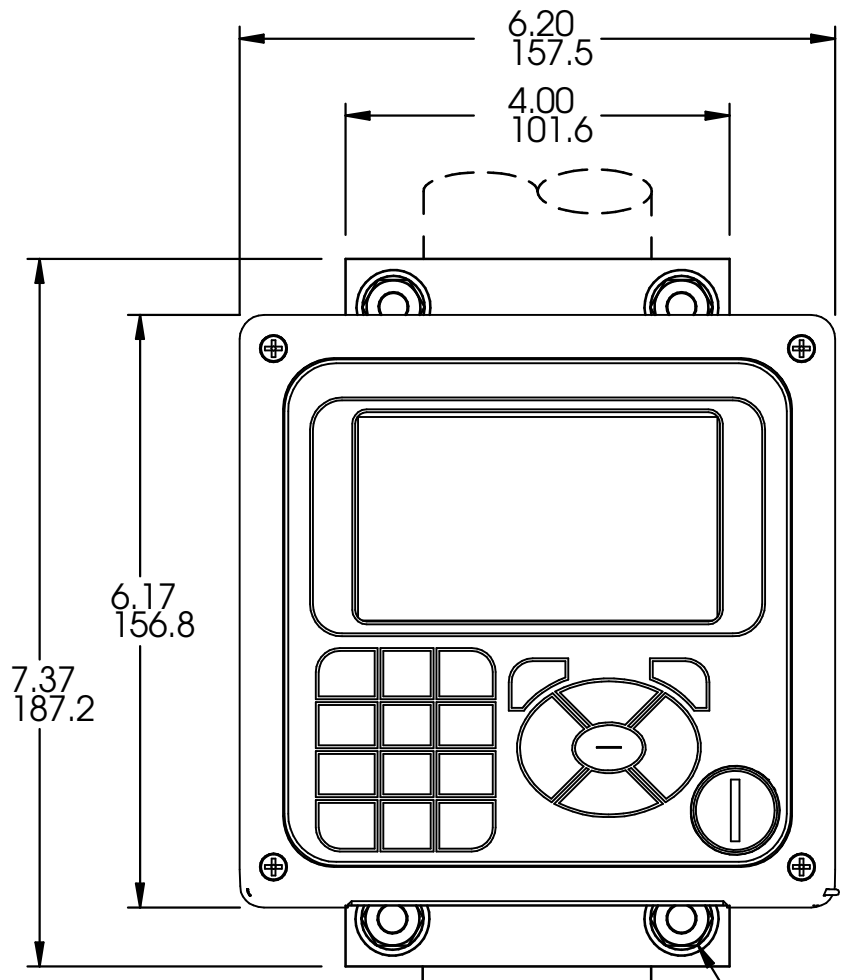


WHEN INCH AND METRIC DIMS  
ARE GIVEN

INCH  
MILLIMETER

REVISIONS				
LTR	DESCRIPTION	BY	DATE	APVD

WALL / SURFACE MOUNT



SIDE VIEW  
WALL / SURFACE MOUNT

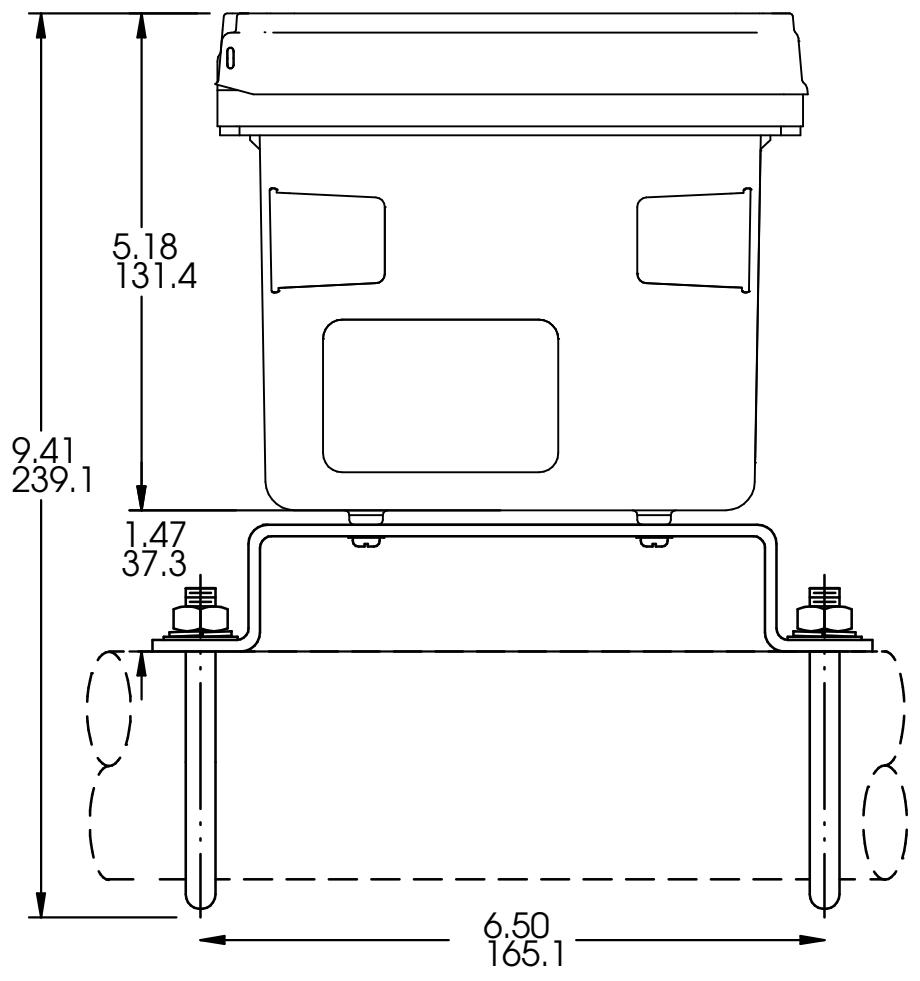
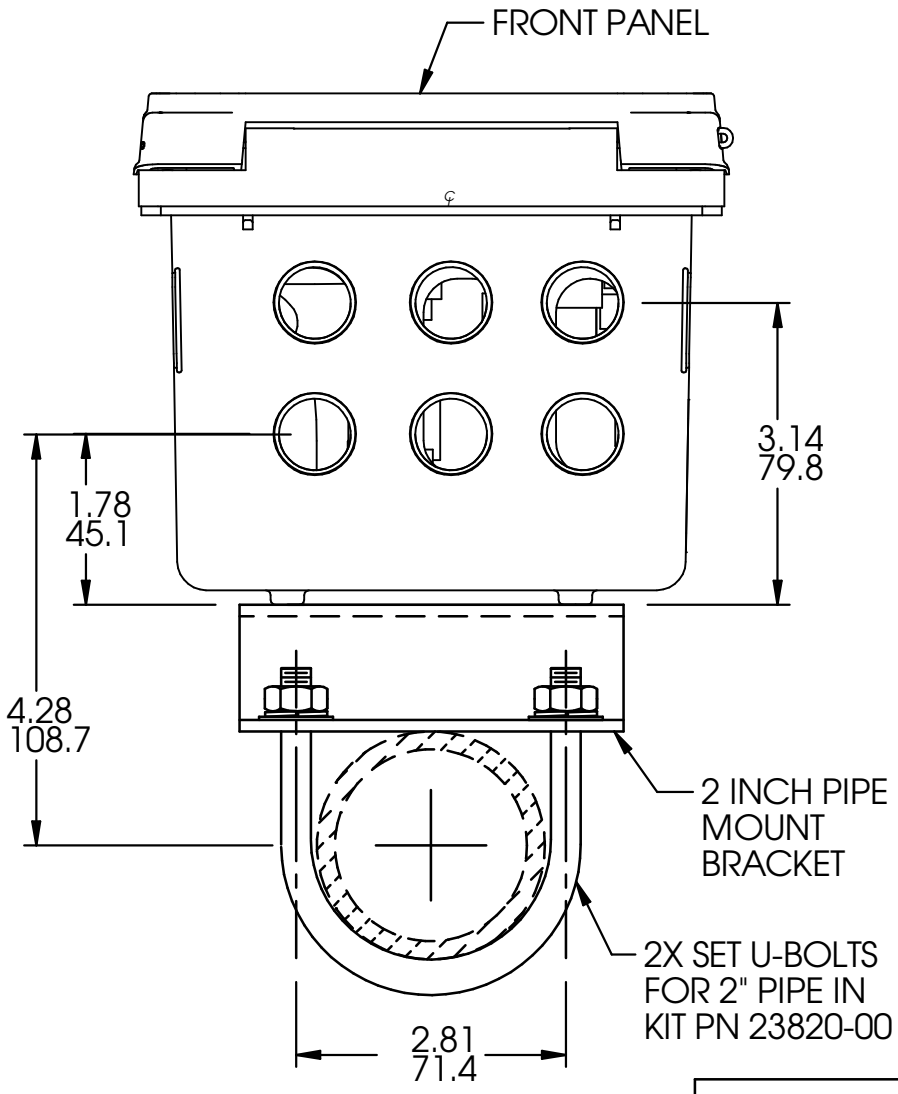
1  
4X COVER SCREW

FRONT VIEW

2" PIPE SUPPLIED  
BY CUSTOMER

PIPE MOUNT

SIDE VIEW



BOTTOM VIEW

DO NOT OPERATE OR ENERGIZE INSTRUMENT WITH CASE OPEN.

VERTICAL PIPE MOUNTING SHOWN. FOR HORIZONTAL PIPE, ROTATE BRACKET AND U-BOLTS 90°.

NOTES: UNLESS OTHERWISE SPECIFIED

APPROVALS		DATE
DRAWN	C. HOANG	1-20-11
CHECKED		
PROJECT ENGR	APVD	
THIS DWG CREATED IN SOLID EDGE		

**Emerson** Emerson Process Management  
Rosemount Analytical Division  
2400 Barranca Pkwy  
Irvine, CA 92606

TITLE MODEL 56 W/2" PIPE MOUNTING BRACKET /WALL MOUNTING DIMENSIONS

**B** DWG NO 40005601 REV A  
SIZE