



OMNTEC
Advanced Tank Monitoring & Leak Detection

PROTEUS® Automatic Tank Gauging and Leak Detection System

Part Number: OEL8000III-B4
OEL8000III-B8



Description

A brighter future in tank gauging and leak detection has arrived with the **PROTEUS** Series. Featuring advanced technology, versatility, scalability, and enhanced features like our 7-inch color touch screen. The **PROTEUS** Series can simultaneously monitor product levels, water levels, temperature, leaks, and much more. The flexibility of **PROTEUS** makes it ideal for a variety of gauging and leak detection applications.

The OEL8000III-B is our economical version of the **PROTEUS** Series. It offers limited features for a low-cost solution to gauging, leak detection, and meeting compliance requirements.

The OEL8000III-B accepts up to 16 of OMNTEC's Bright Eye (BX Series) sensors for distinguishing product from water or for simply detecting the presence of liquid. A distinct advantage of Bright Eye sensors is they are networked and utilize 4 wire bus technology.

PROTEUS does not require sensor or probe input modules, bringing ease to ordering and installation. A built-in microprocessor gives each sensor the ability to identify itself and its location, which is displayed along with alarm conditions on the **PROTEUS's** 7-inch color touch screen graphic display.

With OMNTEC's proven reliability, the **PROTEUS** offers an attractive, comprehensive, and user-friendly system that can open doors to endless possibilities.

Features

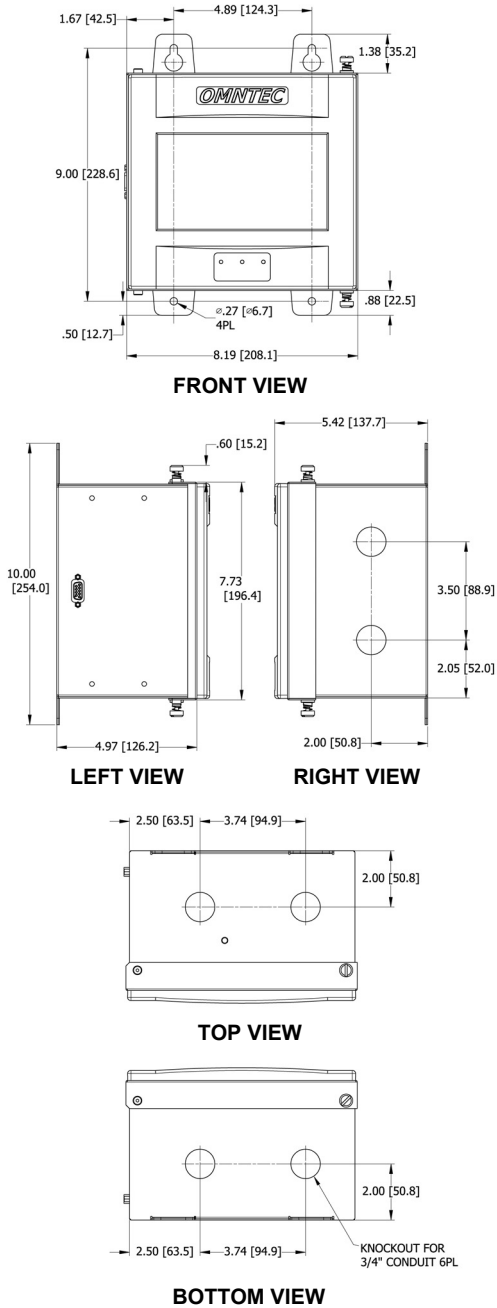
- Accepts up to 4 or 8 magnetostrictive probes
- Accepts up to 16 Bright Eye sensors
- Sensors networked using state of the art 4 wire bus technology
- 1 RS-232 port
- 7-inch color graphic display with touch screen
- CITLD upgradeable
- Modbus upgradeable
- External expansion port
- Compact size
- Remote display option
- VLD standard
- Lower cost

OMNTEC Mfg., Inc. has been certified by DQS Inc. to
ISO 9001:2015; Registration Number 10017970.

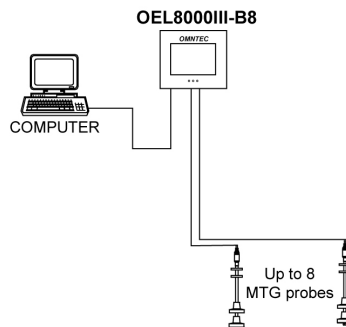
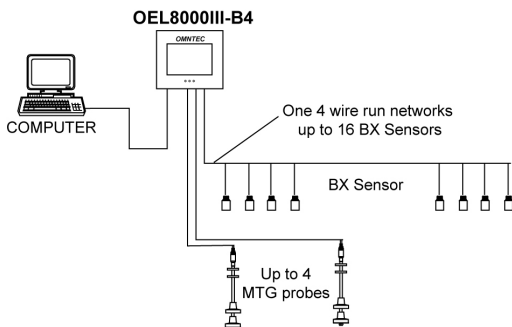
PROTEUS®


Automatic Tank Gauging and Leak Detection System

Part No. OEL8000III-B4 & OEL8000III-B8



OEL8000III-B Application



Specifications																												
Optional Features:	Modbus upgradeable CITLD upgradeable OMNTEC PC software																											
Input Power:	100-240 VAC +/- 10% 50/60 Hz 60 watts																											
Voltage to Sensors:	12 VDC																											
Voltage to Probes:	28 VDC																											
Audio Visual Controls: Display: Audible alarm: System status:	Color 7-inch graphic display with touch screen 85 dB piezoelectric horn 3 LED's (OK, fault, alarm)																											
Operating Temperature:	20 to 140° F (-7° to 60° C)																											
Compatible Sensors:	BX-Series sensors (refer to document no. 900106)																											
BX-Series Sensor Cable:	Shielded 22 AWG with drain wire (OMNTEC EC-4), Maximum length 2,000 feet (610m)																											
Compatible Probes:	Rigid Gauging Probe (refer to document no. 900194) MTG-4* (1219mm) MTG-6* (1829mm) MTG-8* (2438mm) MTG-10* (3048mm) Flexible Fixed Top Probe (refer to document no. 900166) MTG-F-* Series Flexible Fixed Bottom Probe (refer to document no. 900162) MTG-FB-* Series <i>*Number signifies shaft length and corresponds to tank diameter. Contact representative for additional lengths.</i>																											
MTG Probe Cable:	OMNTEC EC-2 (Shielded Belden #8761) Low Inductance: equal or less than .2 microhenries per foot Maximum length 1,000 feet (305m) Consult representative for longer wire runs.																											
Accessories:	RD7CTS Remote display DDL Series Delivery Defender Lite universal remote overfill alarm X232-420 External RS-232 to 4-20 ma converter C232-BAC Bacnet TCP/IP converter																											
Weight:	20 lb. (9kg)																											
Dimensions:	(h) 7.73" (w) 8.19" (d) 5.42"																											
Approvals:	UL-listed & CUL-listed  IECEX UL 13.0057X [Ex ia Ga] IIB CE 0539 [Ex ia] IIB Ex II (1) G DEMKO 13 ATEX 1341071X																											
Version Summary:	<table border="1"> <thead> <tr> <th>Version</th> <th>Probes</th> <th>Sensors</th> <th>Audio/ Visual</th> <th>Relays</th> <th>Comm</th> </tr> </thead> <tbody> <tr> <td>B4</td> <td>4</td> <td>16</td> <td>yes</td> <td>0</td> <td rowspan="4">(1) RS-232 (1) Expansion Port</td> </tr> <tr> <td>B8</td> <td>8</td> <td>0</td> <td>yes</td> <td>0</td> </tr> <tr> <td>B4B</td> <td>4</td> <td>16</td> <td>no</td> <td>0</td> </tr> <tr> <td>B8B</td> <td>8</td> <td>0</td> <td>no</td> <td>0</td> </tr> </tbody> </table>	Version	Probes	Sensors	Audio/ Visual	Relays	Comm	B4	4	16	yes	0	(1) RS-232 (1) Expansion Port	B8	8	0	yes	0	B4B	4	16	no	0	B8B	8	0	no	0
Version	Probes	Sensors	Audio/ Visual	Relays	Comm																							
B4	4	16	yes	0	(1) RS-232 (1) Expansion Port																							
B8	8	0	yes	0																								
B4B	4	16	no	0																								
B8B	8	0	no	0																								

Specifications subject to change without notice, verify with manufacturer.

 **OMNTEC**
2420 Pond Road
Ronkonkoma, NY 11779
+1.631.981.2001
+1.631.981.2007
omntec@omntec.com
www.omntec.com