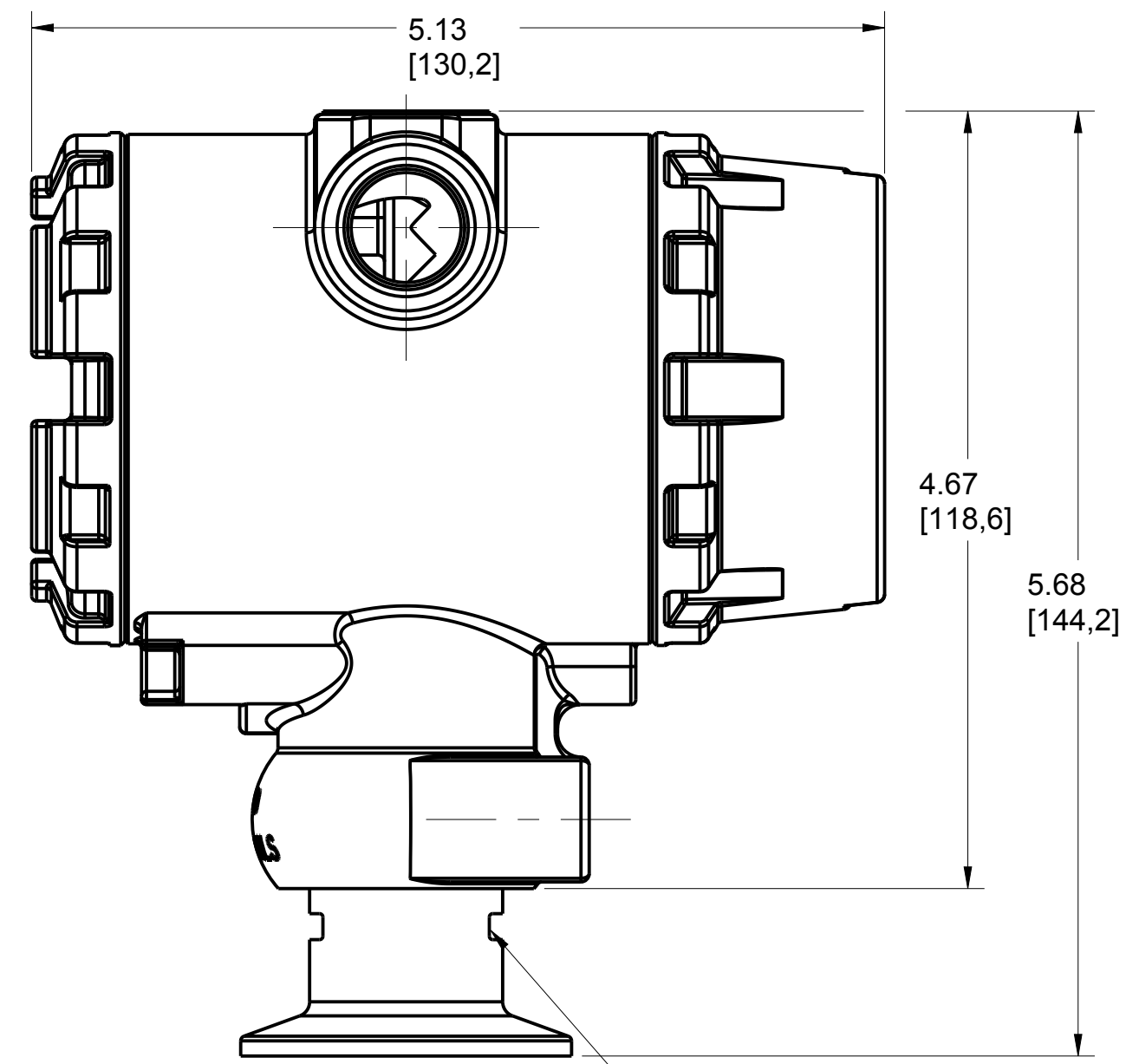


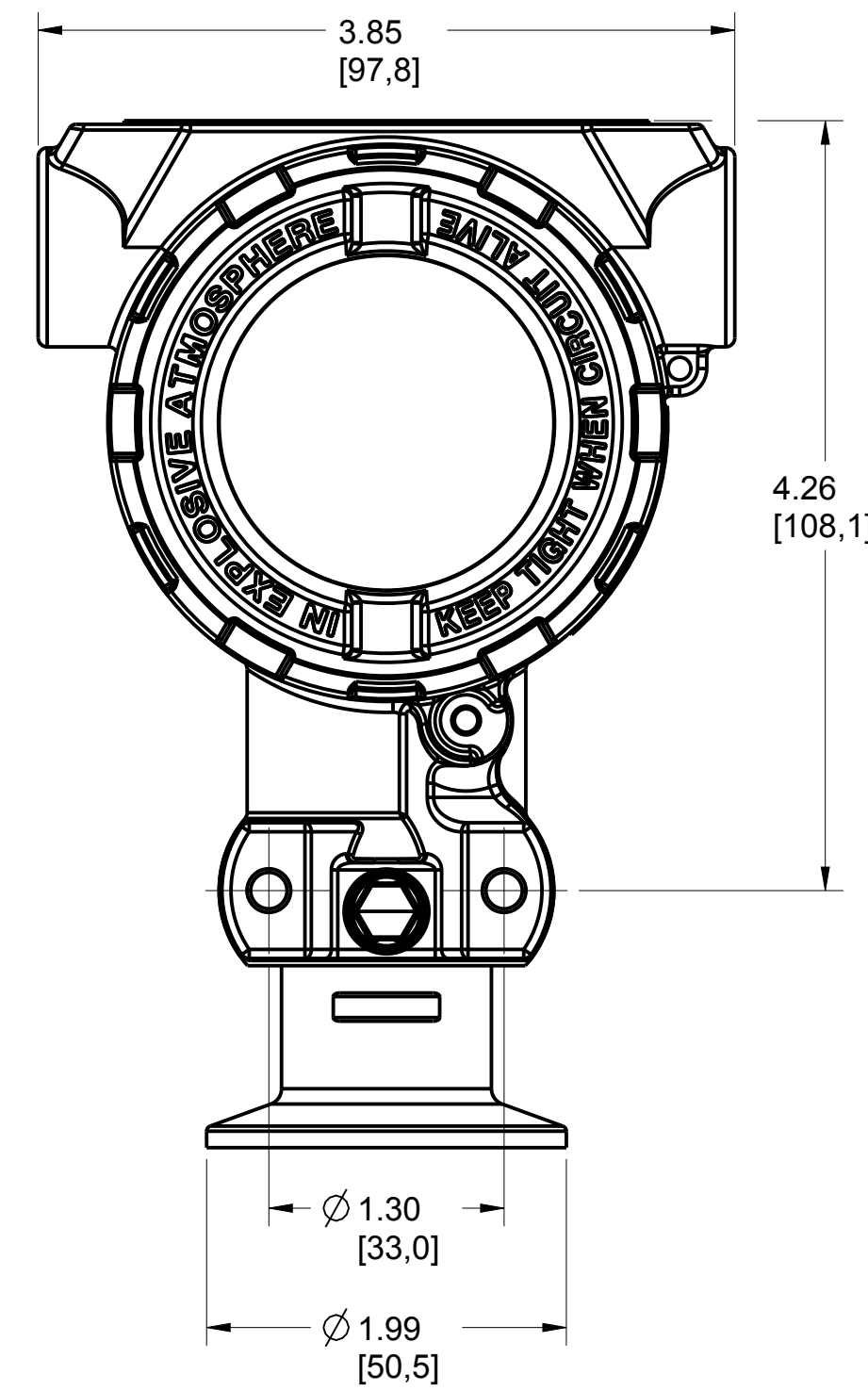
ROSEMOUNT 2051HT PRESSURE TRANSMITTER WITH ALUMINUM HOUSING AND HYGIENIC CLAMP CONNECTION

REVISION TABLE			
REVISION	ECO NO.	APP'D	DATE
AA	RTC1069981	J. HOLM	2/18/18
DESCRIPTION			
NEW RELEASE			

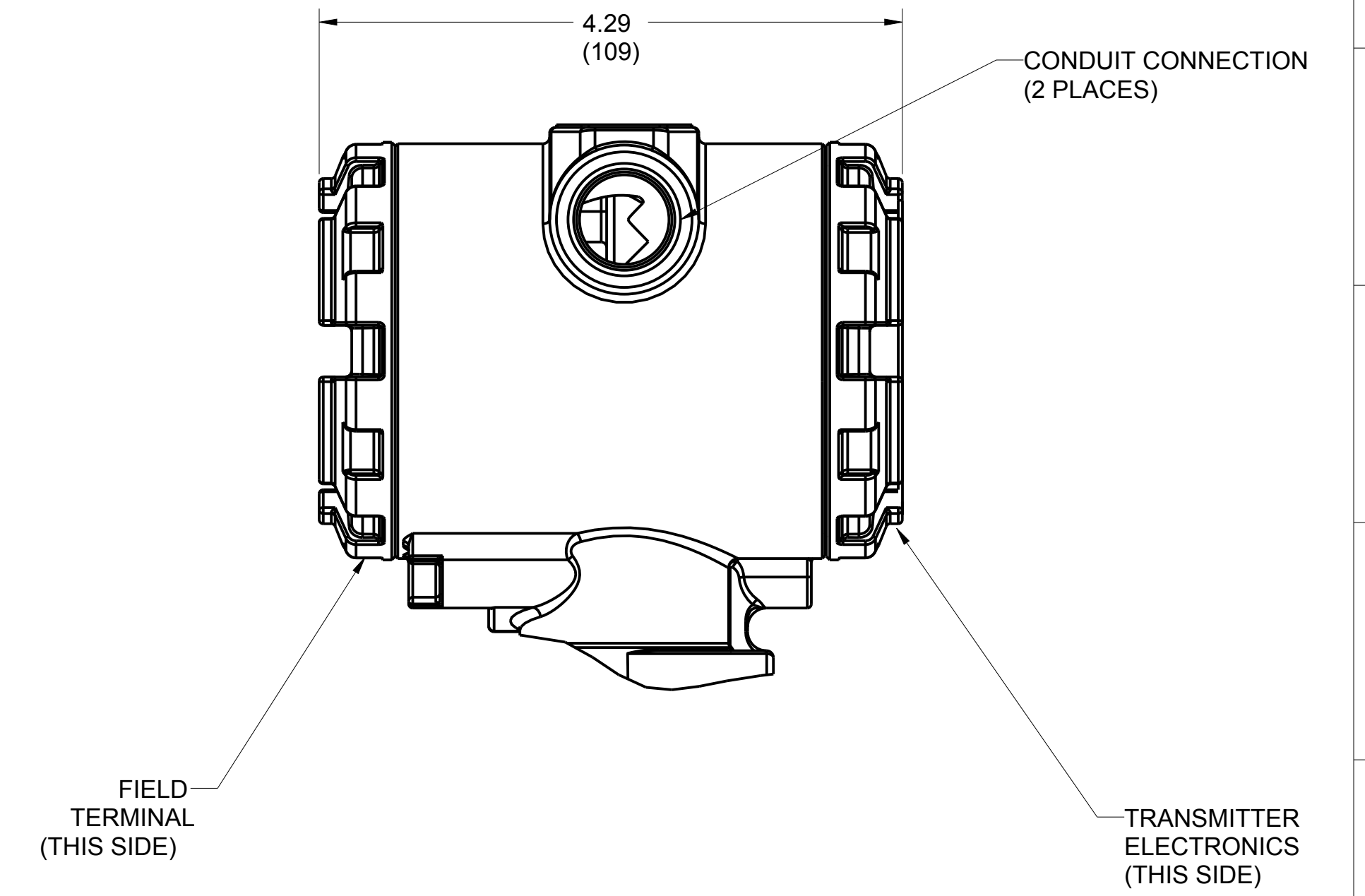
SHOWN WITH OPTIONAL DIGITAL DISPLAY AND
1.5" HYGIENIC CLAMP CONNECTION



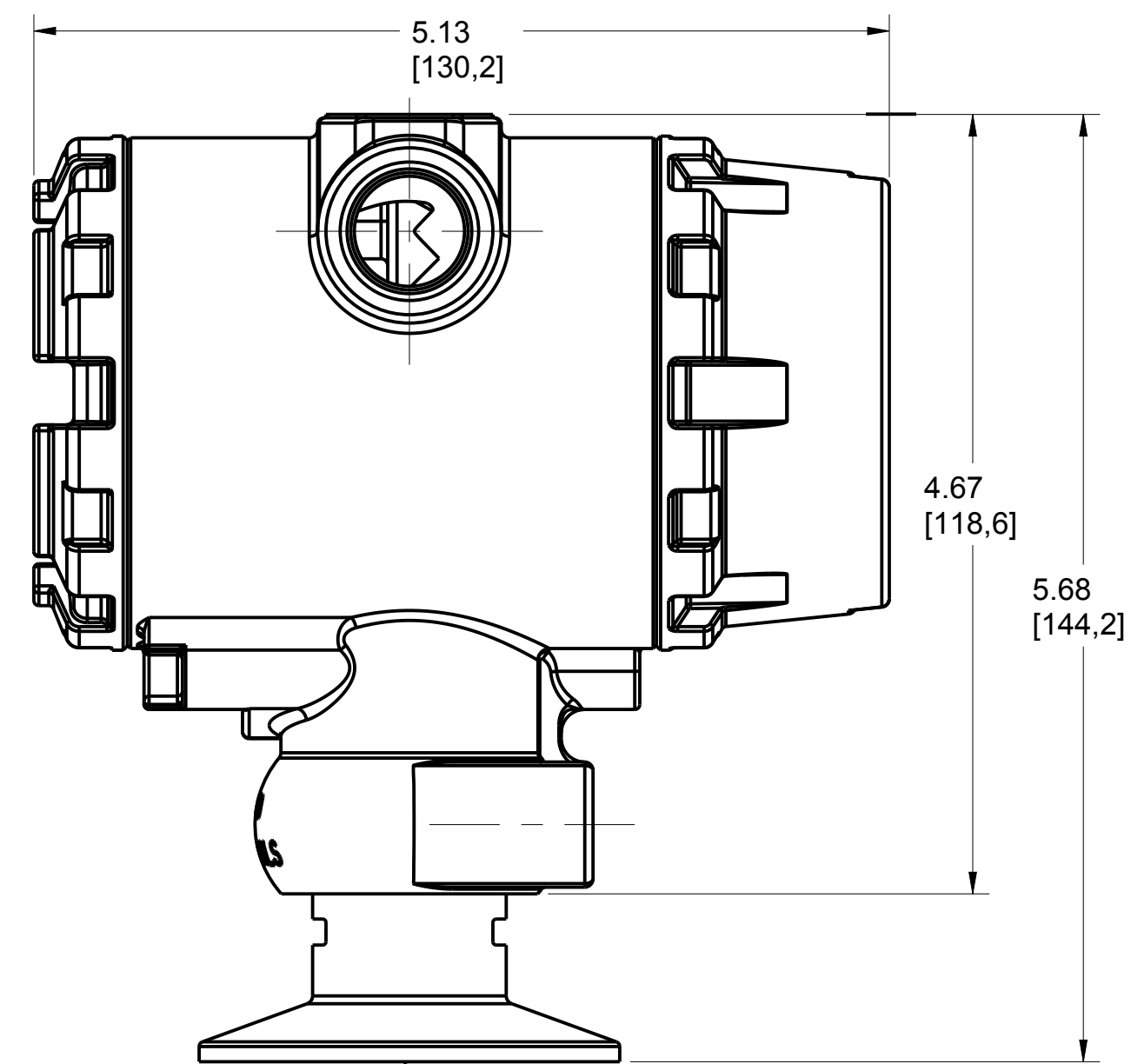
1.5" HYGIENIC CLAMP CONNECTION



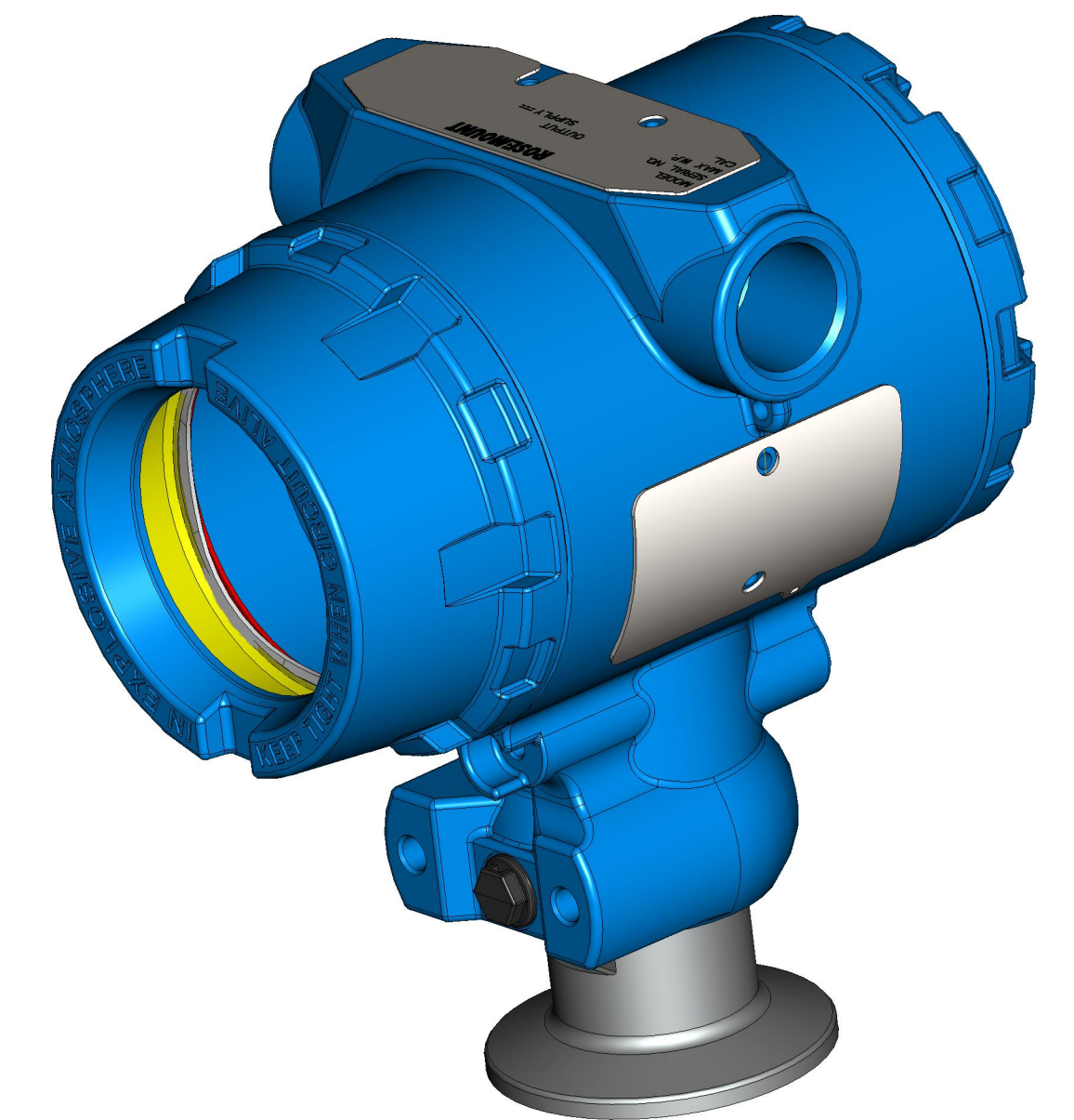
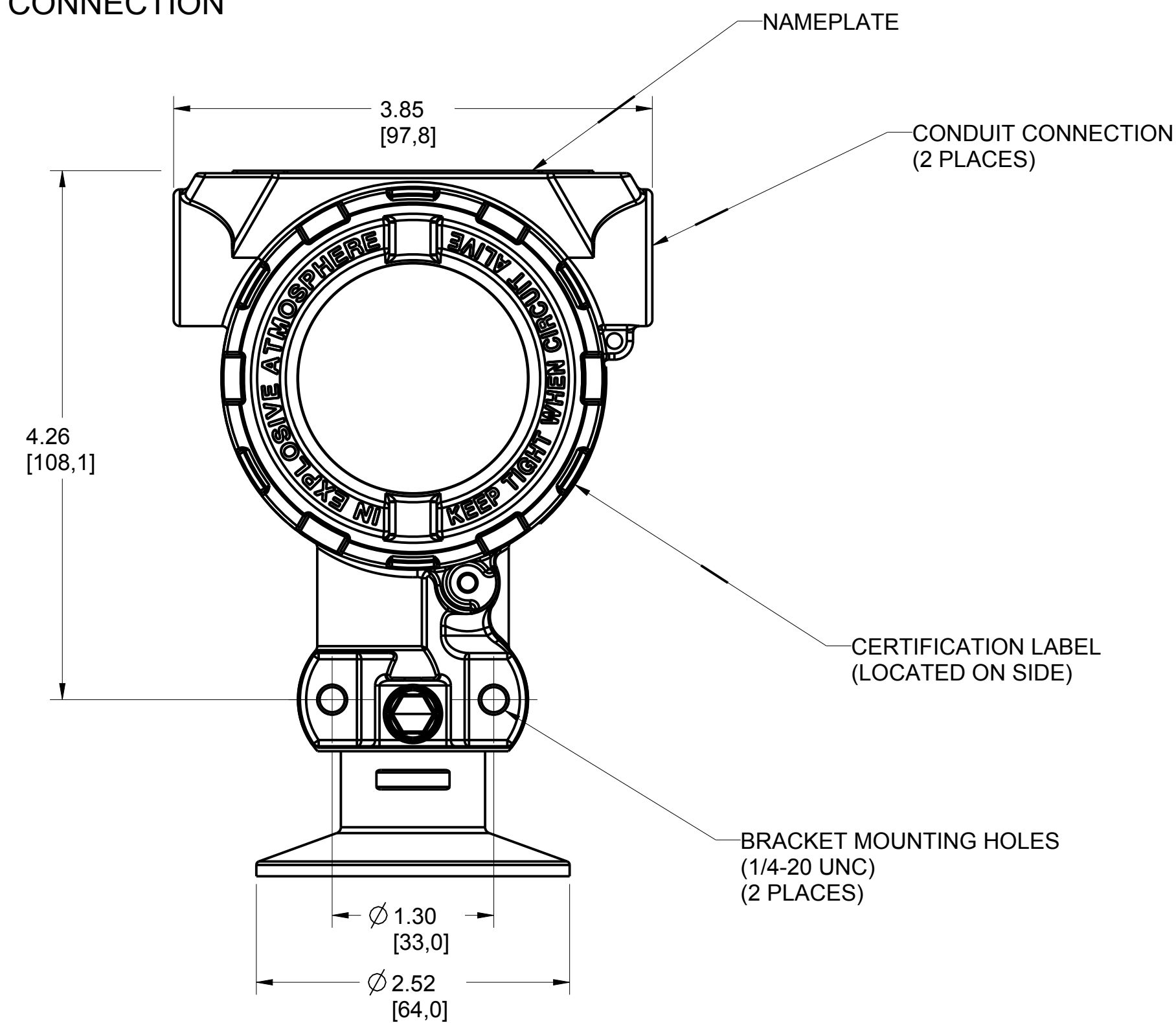
SHOWN WITHOUT DIGITAL DISPLAY



SHOWN WITH OPTIONAL DIGITAL DISPLAY AND
2" HYGIENIC CLAMP CONNECTION



2" HYGIENIC CLAMP CONNECTION



©2015 ROSEMOUNT INC.
ROSEMOUNT INC. CERTIFIES
THIS DRAWING TO BE IN
ACCORDANCE WITH
ROSEMOUNT ENGINEERING
SPECIFICATIONS.
UNIT NOTES IN INCHES (mm).
REFERENCE ROSEMOUNT
PRODUCT SPECIFICATIONS.
[CLICK HERE](#)

3RD ANGLE

SIZE D SCALE NTS

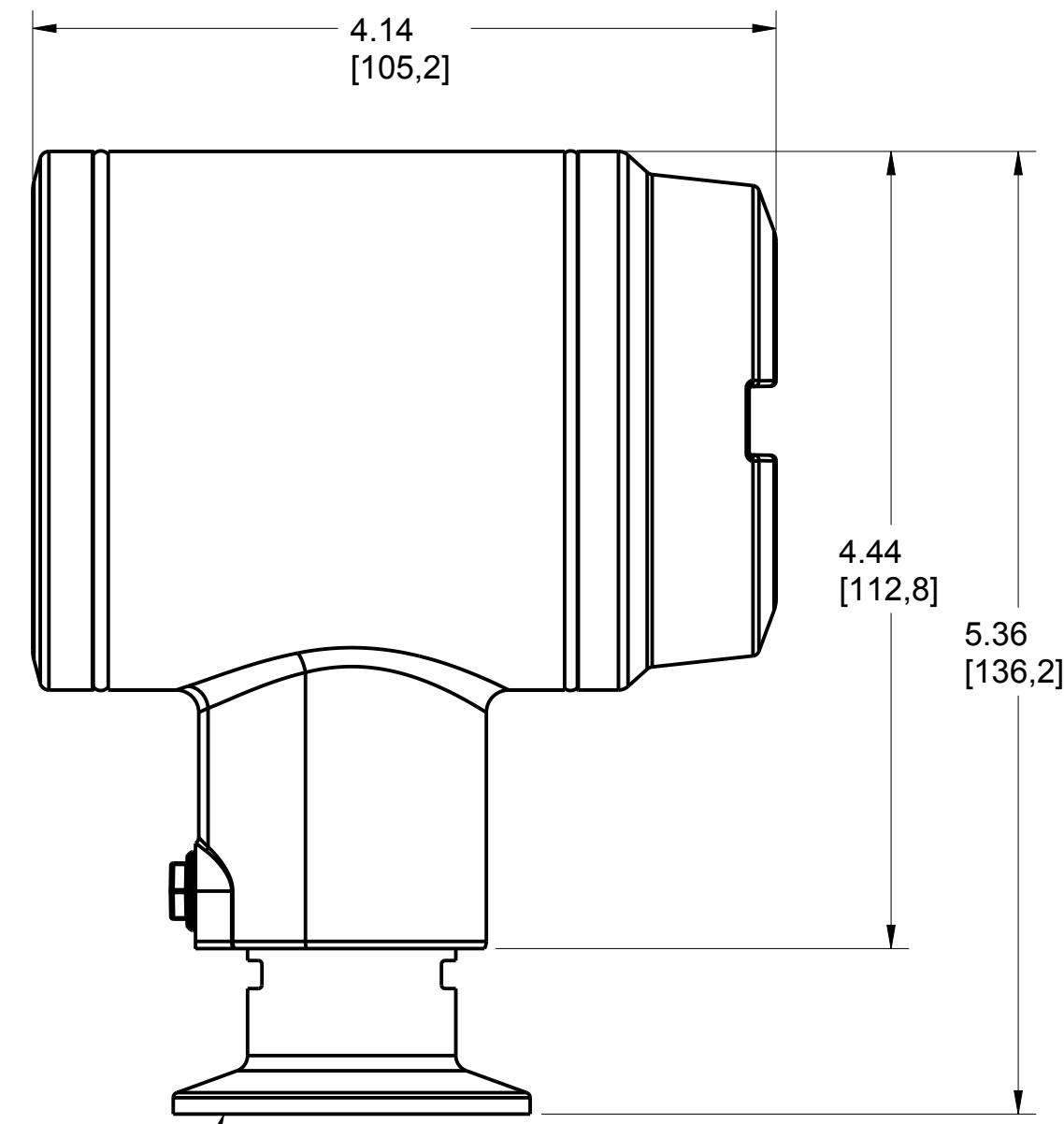
EMERSON

TITLE ROSEMOUNT 2051HT
TYPE I DRAWING

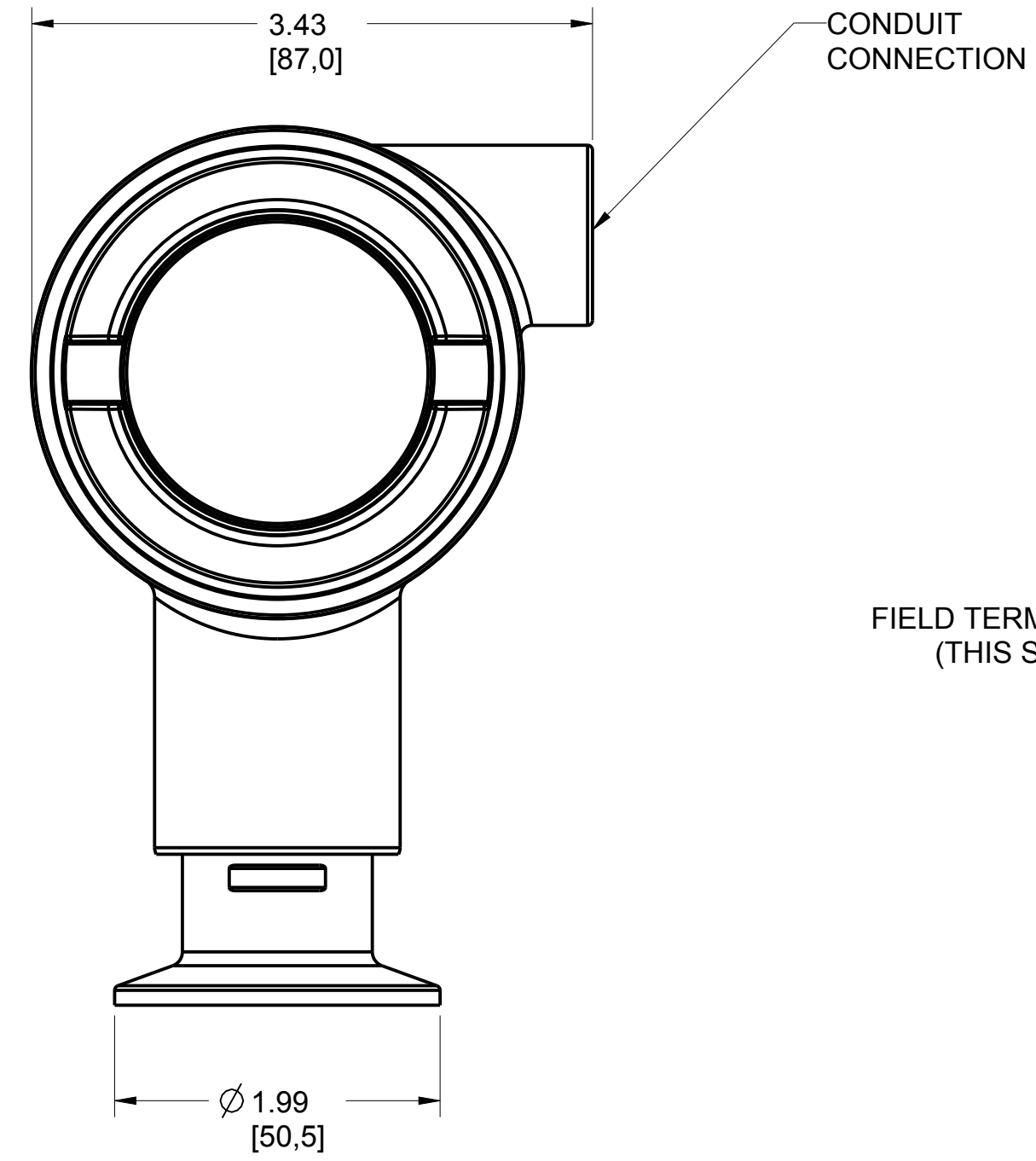
DR. J. ARMSTRONG	2/18/18	DRAWING NO.	02051-7001
APP'D J. HOLM	2/18/18		
CAD MAINTAINED, (PROE)		SHEET 1 OF 2	

ROSEMOUNT 2051HT PRESSURE TRANSMITTER
WITH SST HOUSING AND HYGIENIC CLAMP CONNECTION

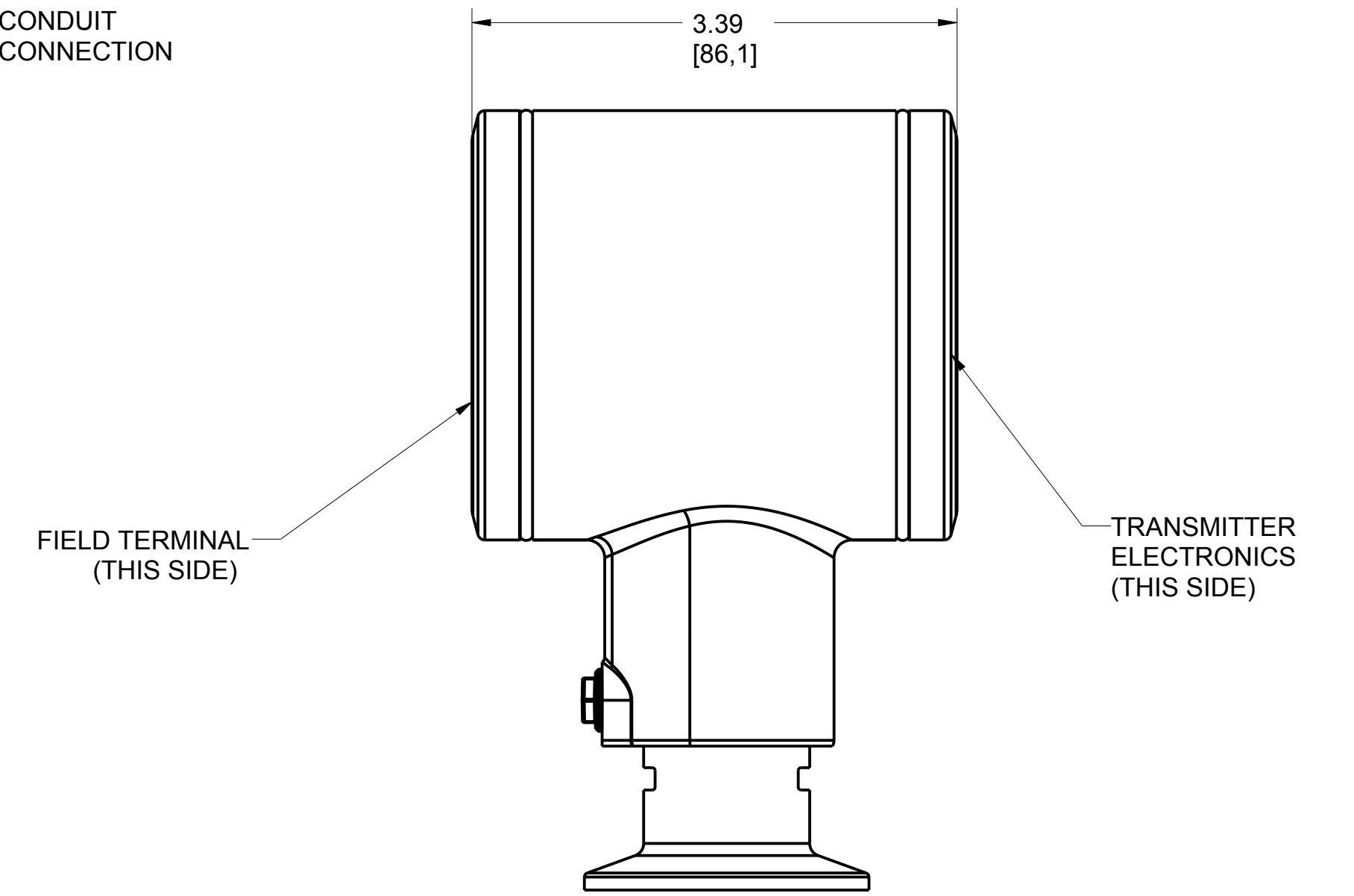
SHOWN WITH OPTIONAL DIGITAL DISPLAY AND
1.5" HYGIENIC CLAMP CONNECTION



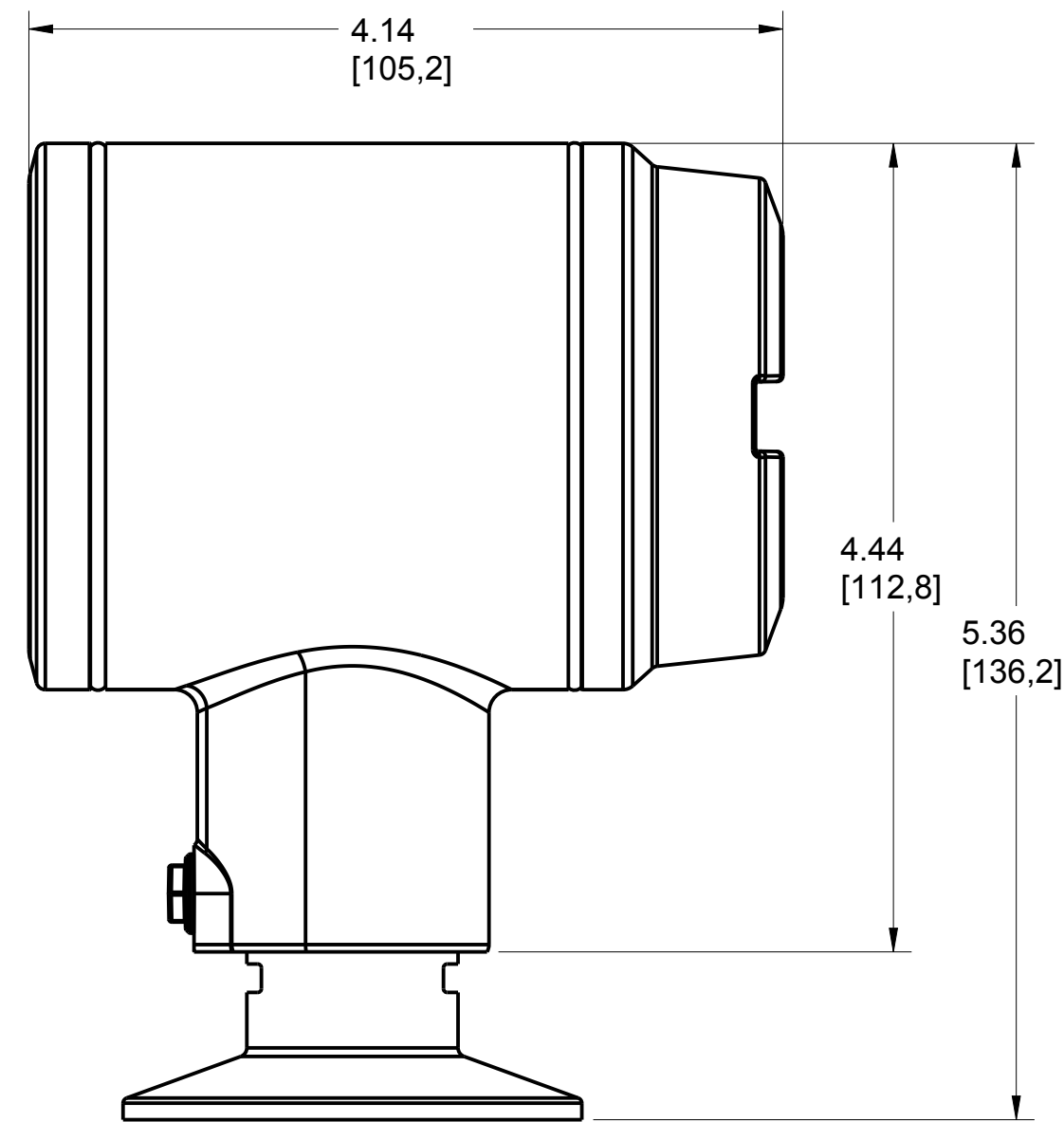
1.5" HYGIENIC CLAMP CONNECTION



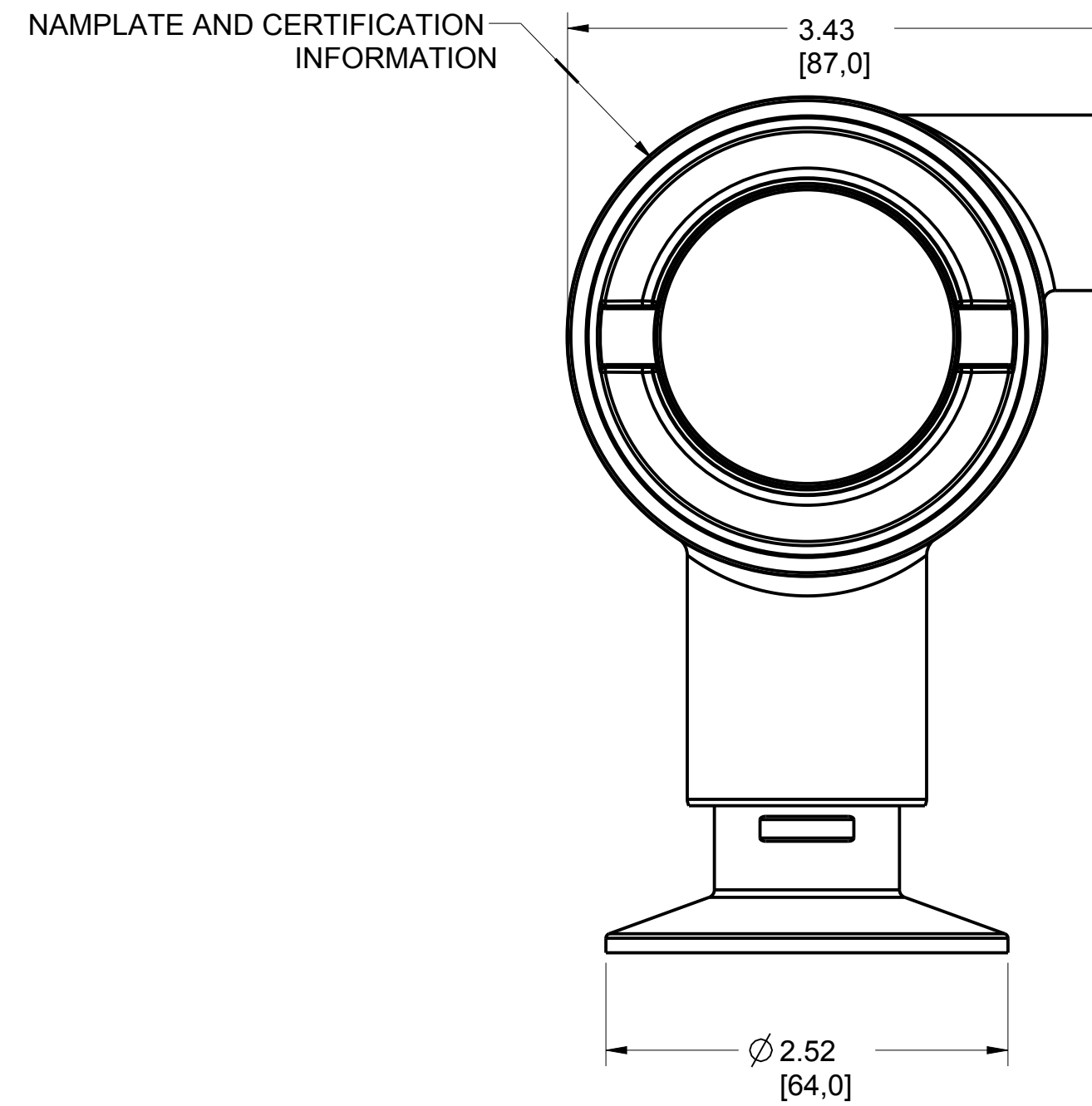
SHOWN WITHOUT DIGITAL DISPLAY



SHOWN WITH OPTIONAL DIGITAL DISPLAY AND
2" HYGIENIC CLAMP CONNECTION



2" HYGIENIC CLAMP CONNECTION



©2015 ROSEMOUNT INC. ROSEMOUNT INC. CERTIFIES THIS PRODUCT TO THE REQUIREMENTS OF THE STANDARD IN ACCORDANCE WITH ROSEMOUNT ENGINEERING SPECIFICATIONS. UNIT NOTES IN INCHES (mm). REFERENCE ROSEMOUNT PRODUCT SPECIFICATIONS. CLICK HERE	3RD ANGLE	SIZE D	SCALE NTS
	TITLE ROSEMOUNT 2051HT TYPE I DRAWING		
	DR. J. ARMSTRONG APP'D M. BARTH	2/18/18 2/18/18	DRAWING NO. 02051-7001