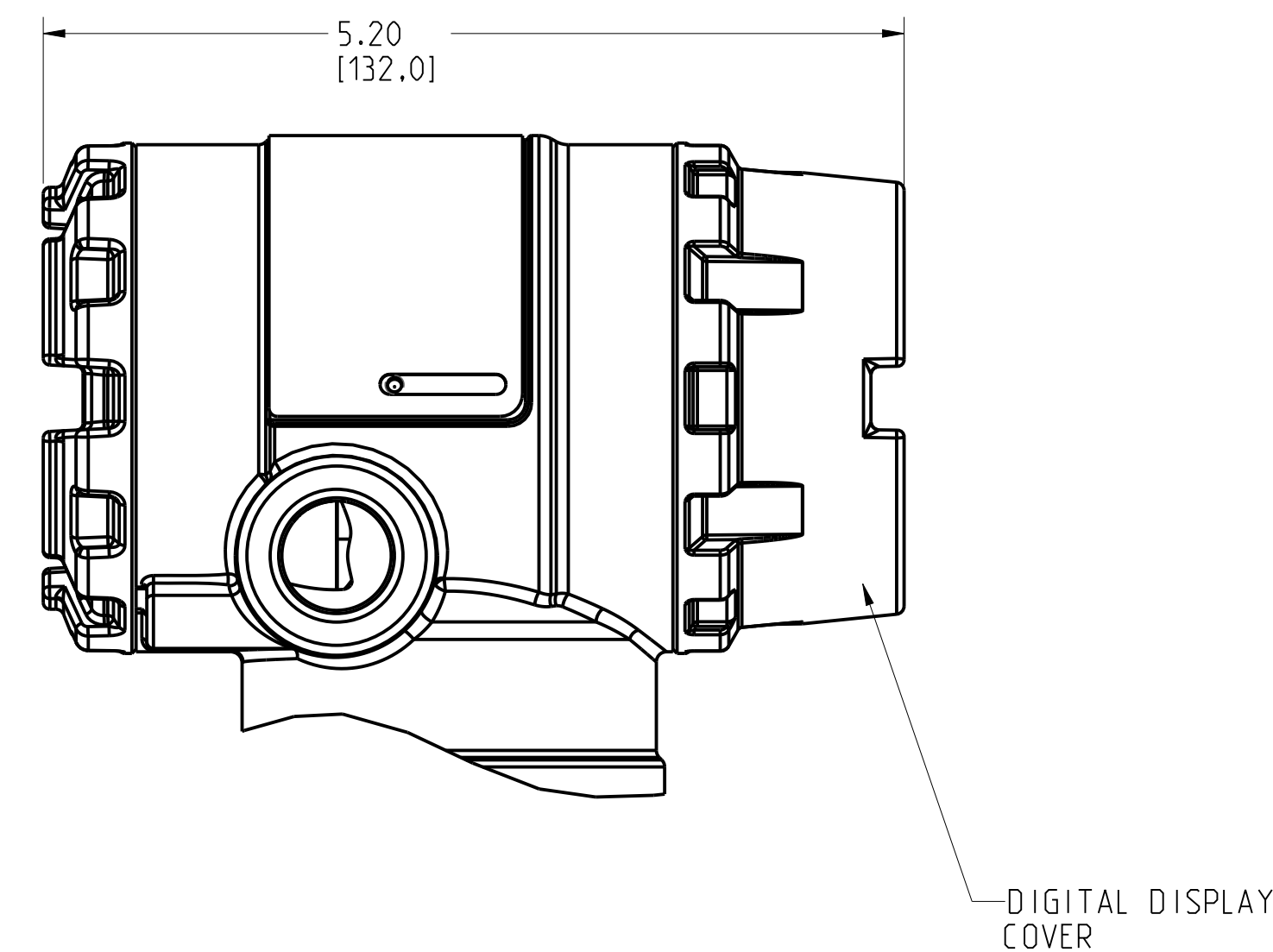
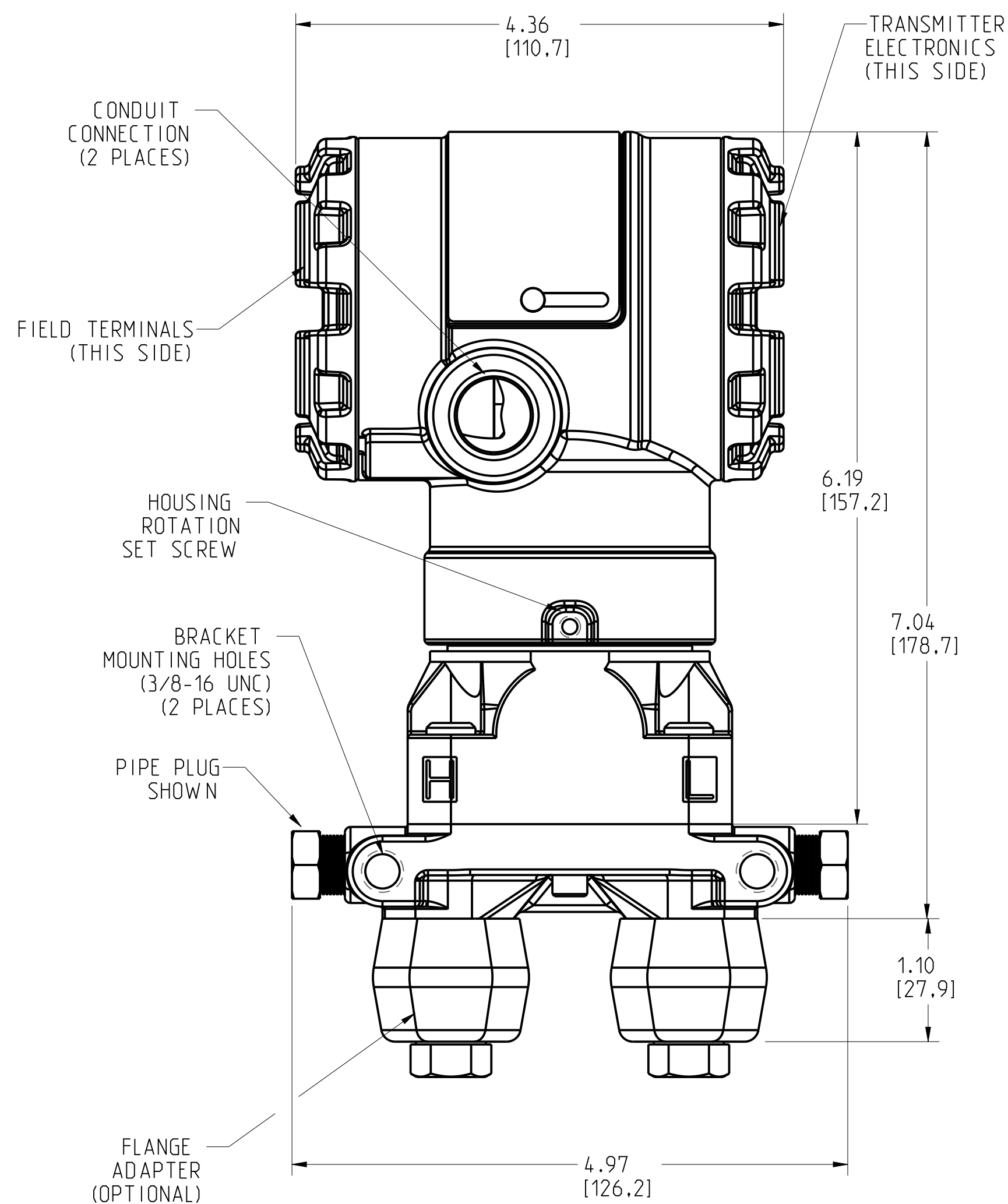
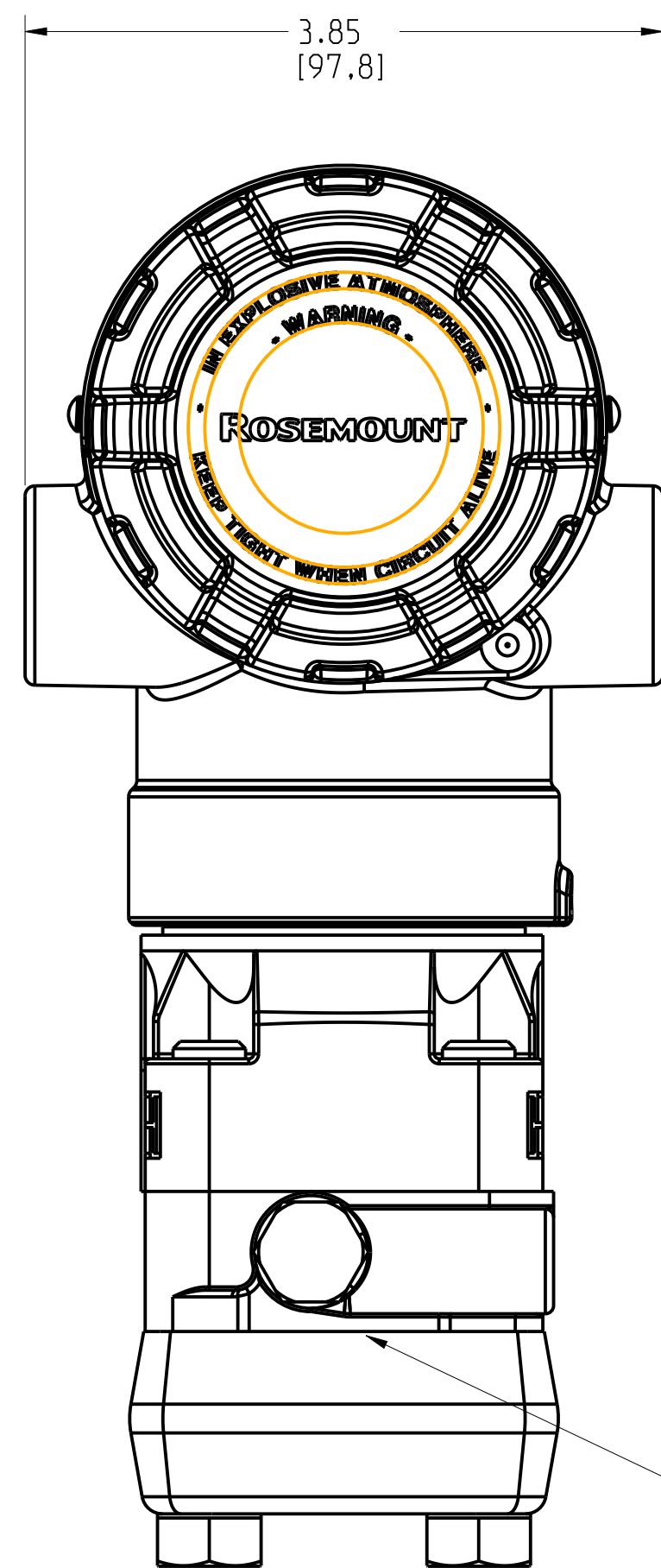


ROSEMOUNT 2051C COPLANAR PRESSURE TRANSMITTER
 COPLANAR FLANGE PROCESS CONNECTION

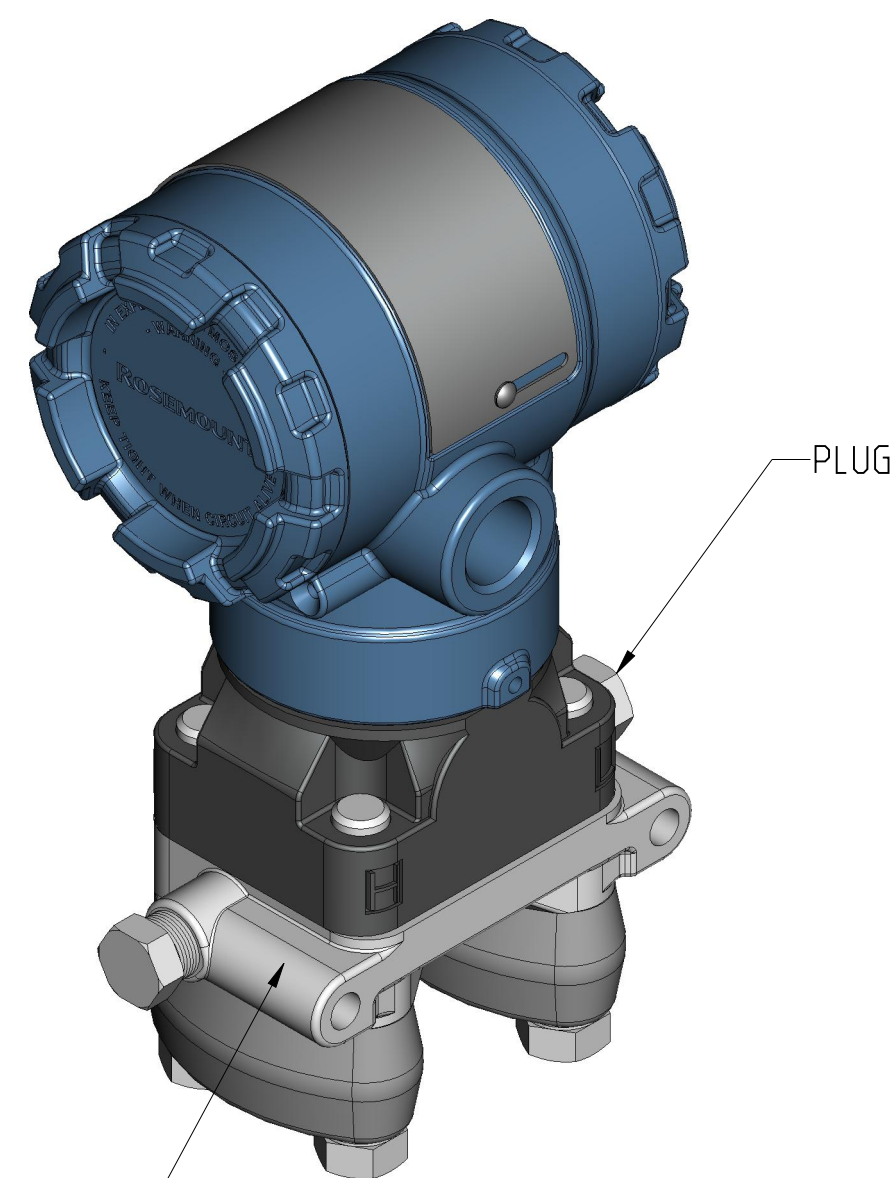
REVISION TABLE			
REVISION	ECO NO.	APP'D	DATE
AE	RTC1073817	E. KIM	9/16/19
DESCRIPTION			
CHANGE TITLEBLOCK, CHANGE NOTES AND MADE CORRECTIONS			

OUTPUT CODE (A) AND (M) AND (F) AND (W)
 ALUMINUM/SST HOUSING

SHOWN WITH OPTIONAL DIGITAL DISPLAY

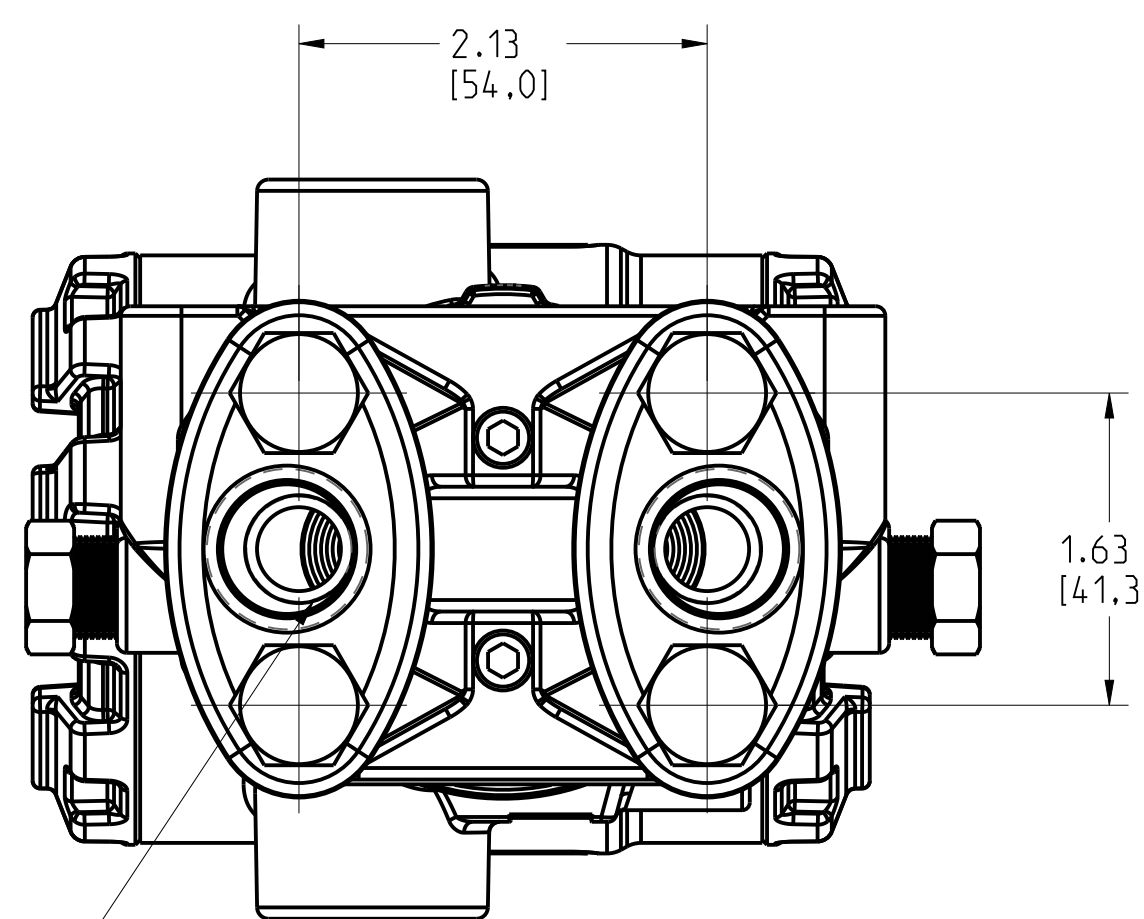


COPLANAR FLANGE
 PROCESS CONNECTION
 PER IEC 61518
 2.125 (54)
 CONNECTION CENTERS



COPLANAR FLANGE

PLUG



1/4-18 NPT PROCESS CONNECTION
 OR 1/2-14 NPT WITH OPTIONAL FLANGE
 ADAPTERS. ADAPTERS CAN BE ROTATED
 TO GIVE CONNECTIONS CENTERS OF
 2.00 (51), 2.125 (54), OR 2.25 (57)

©2015 ROSEMOUNT, INC.
 ROSEMOUNT AND ALL OTHER TRADEMARKS ARE THE PROPERTY OF ROSEMOUNT, INC.
 THIS DRAWING IS THE PROPERTY OF ROSEMOUNT, INC. AND IS TO BE USED IN ACCORDANCE WITH ROSEMOUNT ENGINEERING SPECIFICATIONS.
 UNIT NOTES IN INCHES (mm).

REFERENCE ROSEMOUNT PRODUCT SPECIFICATIONS FOR PRODUCT SPECIFICATIONS.
[CLICK HERE](#)

3RD ANGLE SIZE D SCALE NTS

EMERSON

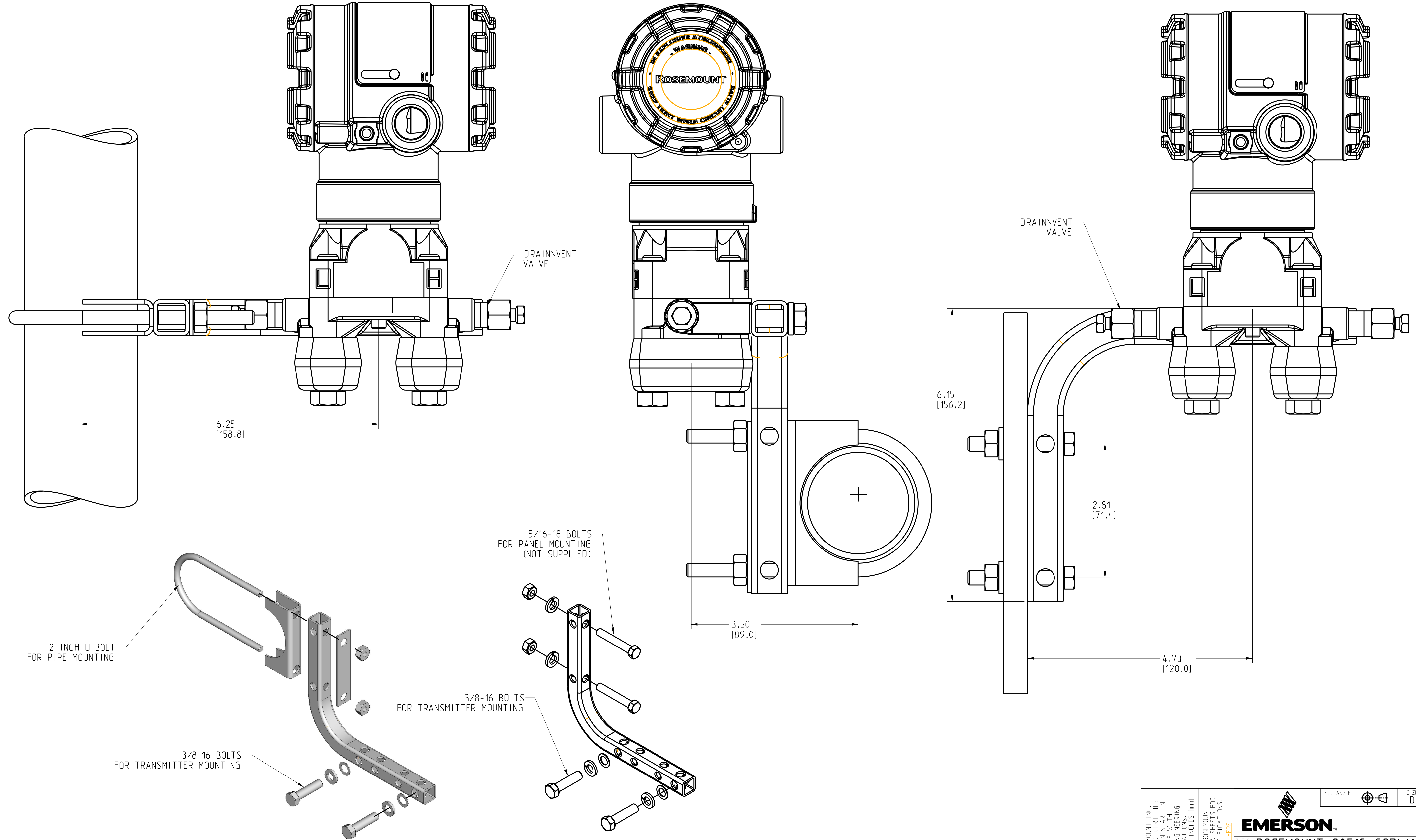
TITLE ROSEMOUNT 2051C COPLANAR TYPE I DRAWING

DR. J. ARMSTRONG 11/30/16 DRAWING NO. 02051-7710
 APP'D N. MEIDL 11/30/16
 CAD MAINTAINED (PRO/E) SHEET 1 OF 10

ROSEMOUNT 2051C COPLANAR PRESSURE TRANSMITTER
 COPLANAR FLANGE PROCESS CONNECTION

PIPE MOUNTING

PANEL MOUNTING



©2015 ROSEMOUNT, INC. ALL RIGHTS RESERVED. THIS DRAWING IS THE PROPERTY OF ROSEMOUNT ENGINEERING SPECIFICATIONS. UNLESS OTHERWISE SPECIFIED, DIMENSIONS ARE IN INCHES (MILLIMETERS). REFER TO THE ROSEMOUNT WEBSITE FOR PRODUCT SPECIFICATIONS. [CLICK HERE](#)

EMERSON

TITLE ROSEMOUNT 2051C COPLANAR TYPE I DRAWING

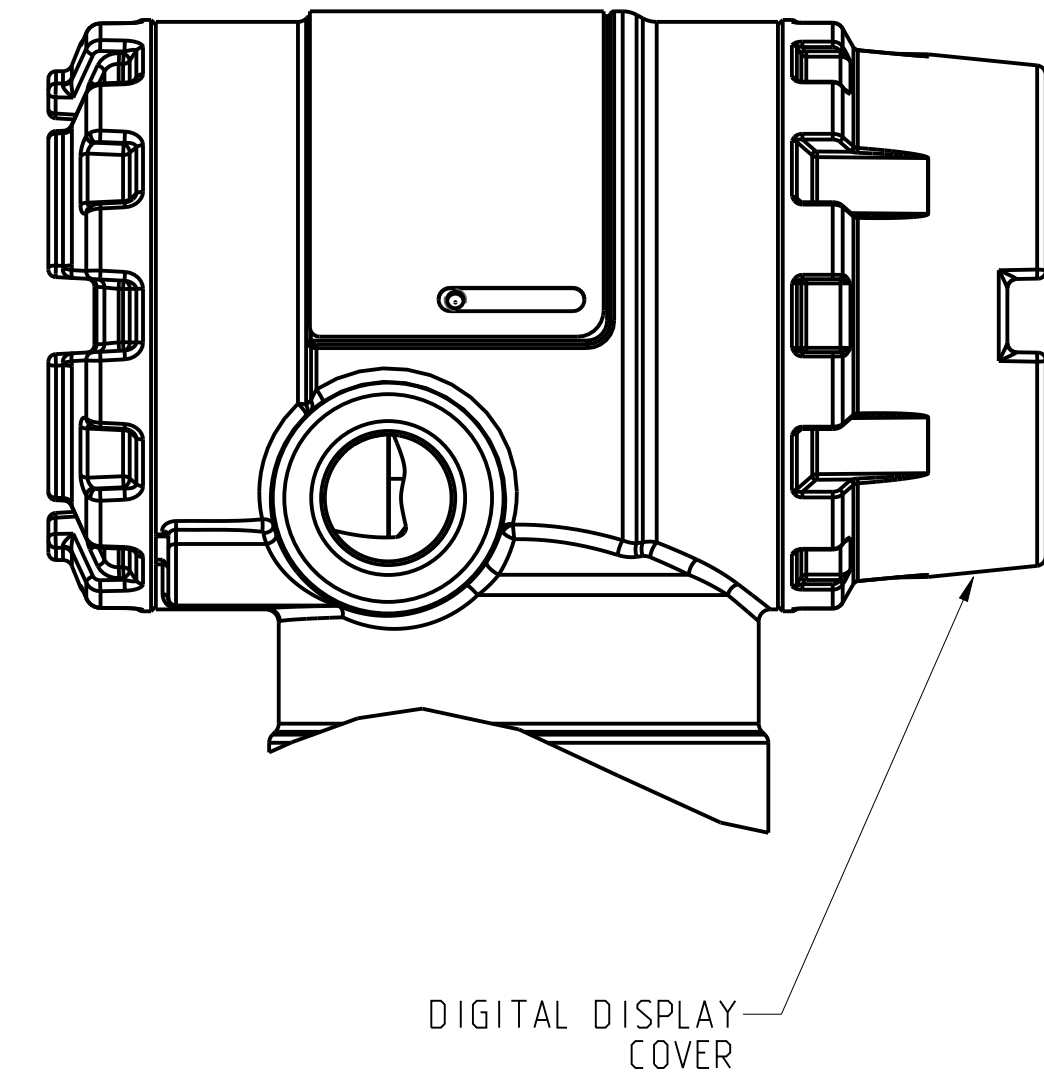
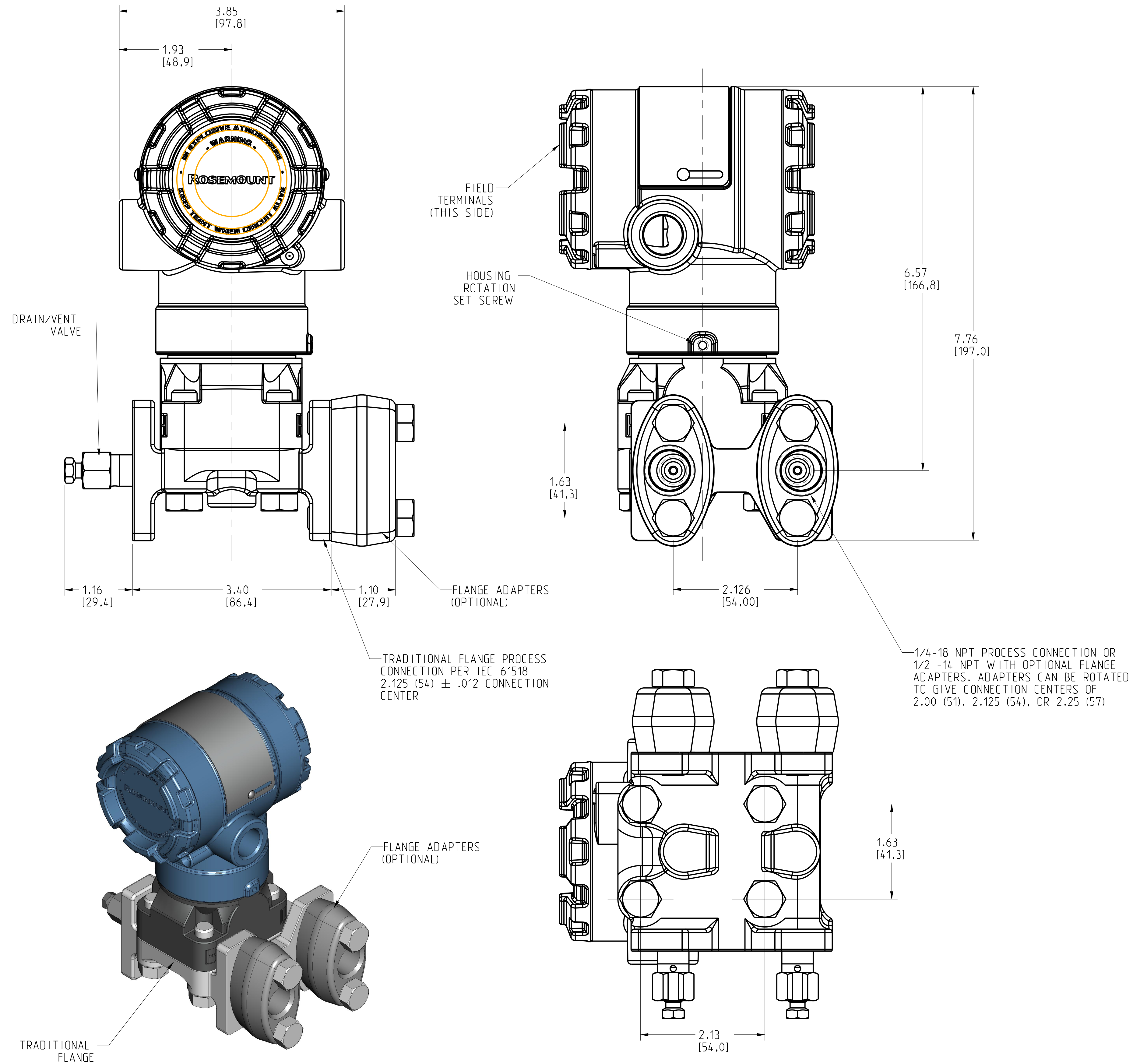
DR. J. ARMSTRONG	11/30/16	DRAWING NO.	02051-7710
APP'D N. MEIDL	11/30/16		

CAD MAINTAINED: (PRO/EI) SHEET 2 OF 10

ROSEMOUNT 2051C COPLANAR PRESSURE TRANSMITTER TRADITIONAL FLANGE PROCESS CONNECTION

OUTPUT CODE (A) AND (M) AND (F)
ALUMINUM/SST HOUSING

SHOWN WITH OPTIONAL DIGITAL DISPLAY



©2015 ROSEMOUNT, INC.
ROSEMOUNT AND ALL OTHER
TRADEMARKS ARE REGISTERED IN
THE U.S. PATENT AND TRADEMARK
OFFICE AND IN OTHER COUNTRIES.
ROSEMOUNT ENGINEERING
SPECIFICATIONS.
UNIT NOTES IN INCHES (mm).

REFERENCE ROSEMOUNT
PRODUCT SPECIFICATIONS.
CLICK HERE

3RD ANGLE

EMERSON

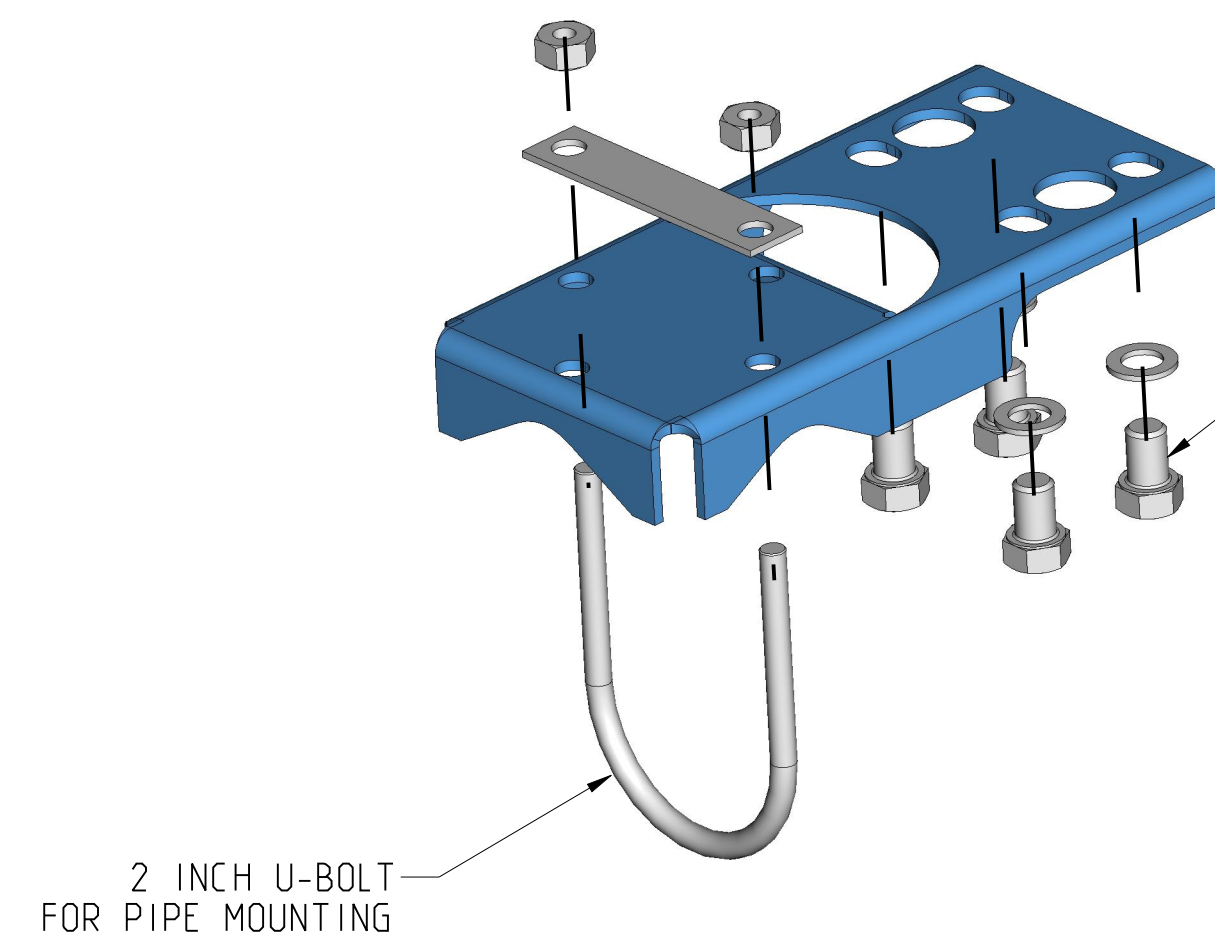
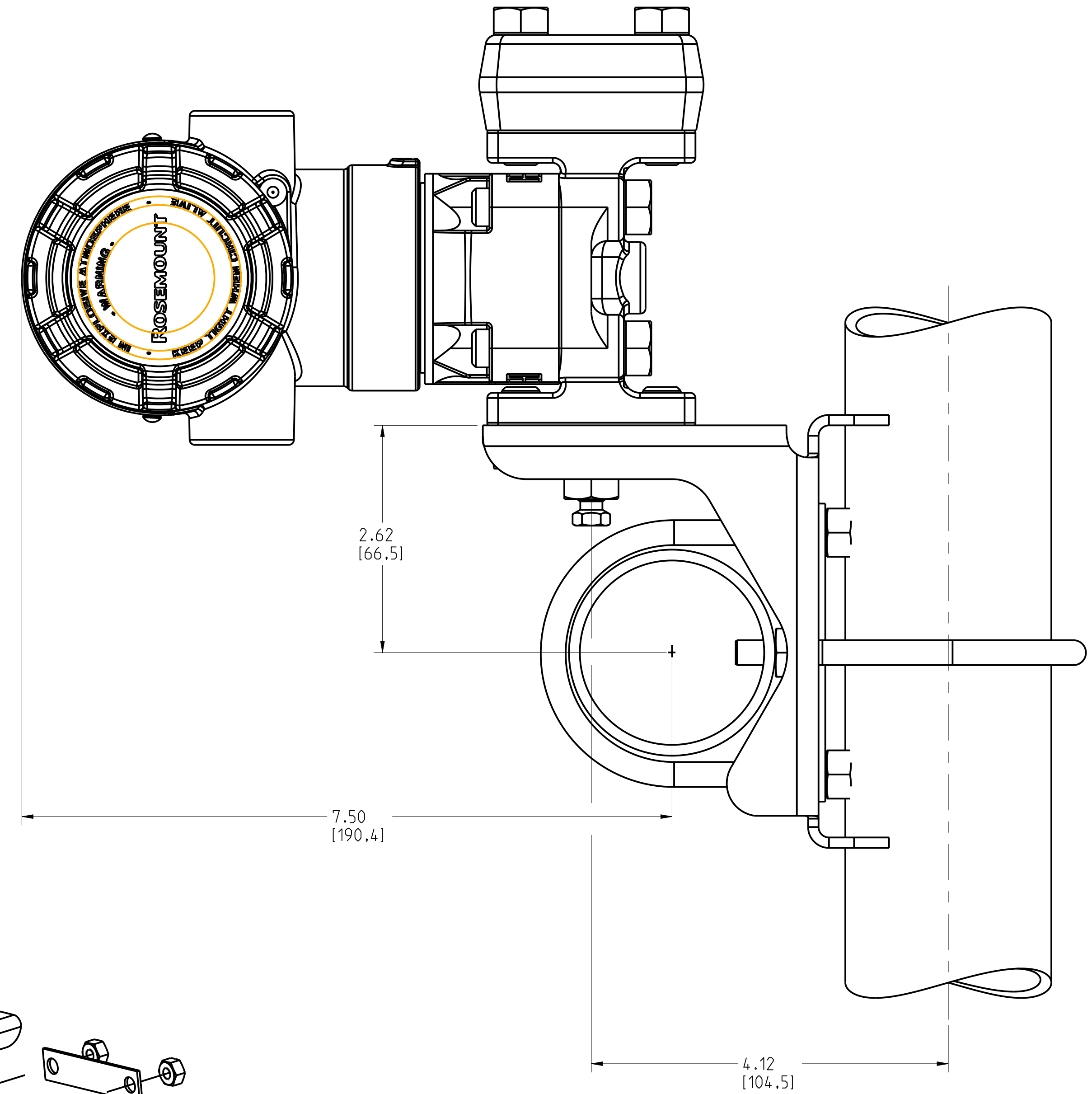
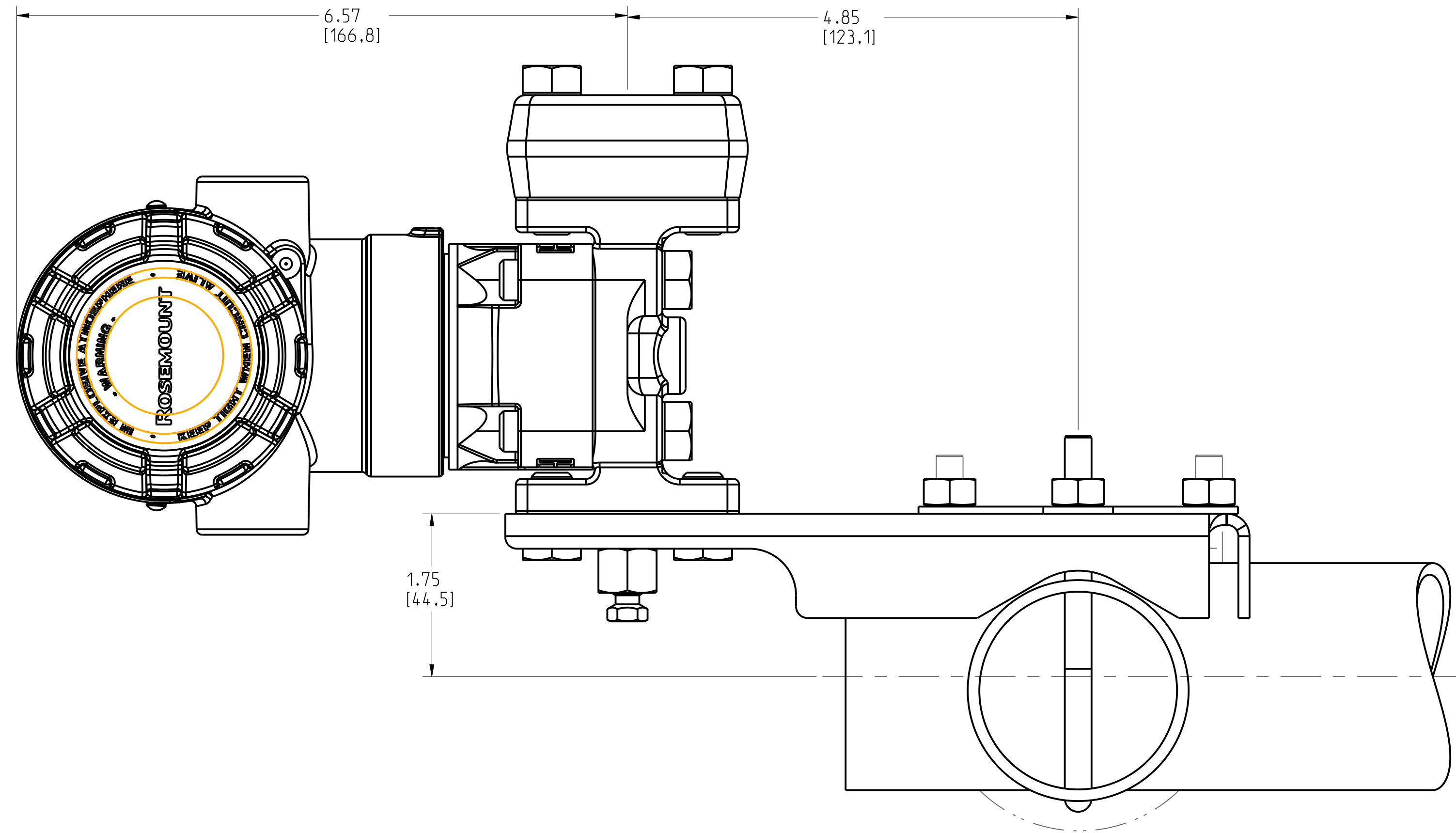
TITLE ROSEMOUNT 2051C COPLANAR
TYPE I DRAWING

DR. J. ARMSTRONG	11/30/16	DRAWING NO.	02051-7710
APP'D N. MEIDL	11/30/16		

CAD MAINTAINED (PRO/EI) SHEET 3 OF 10

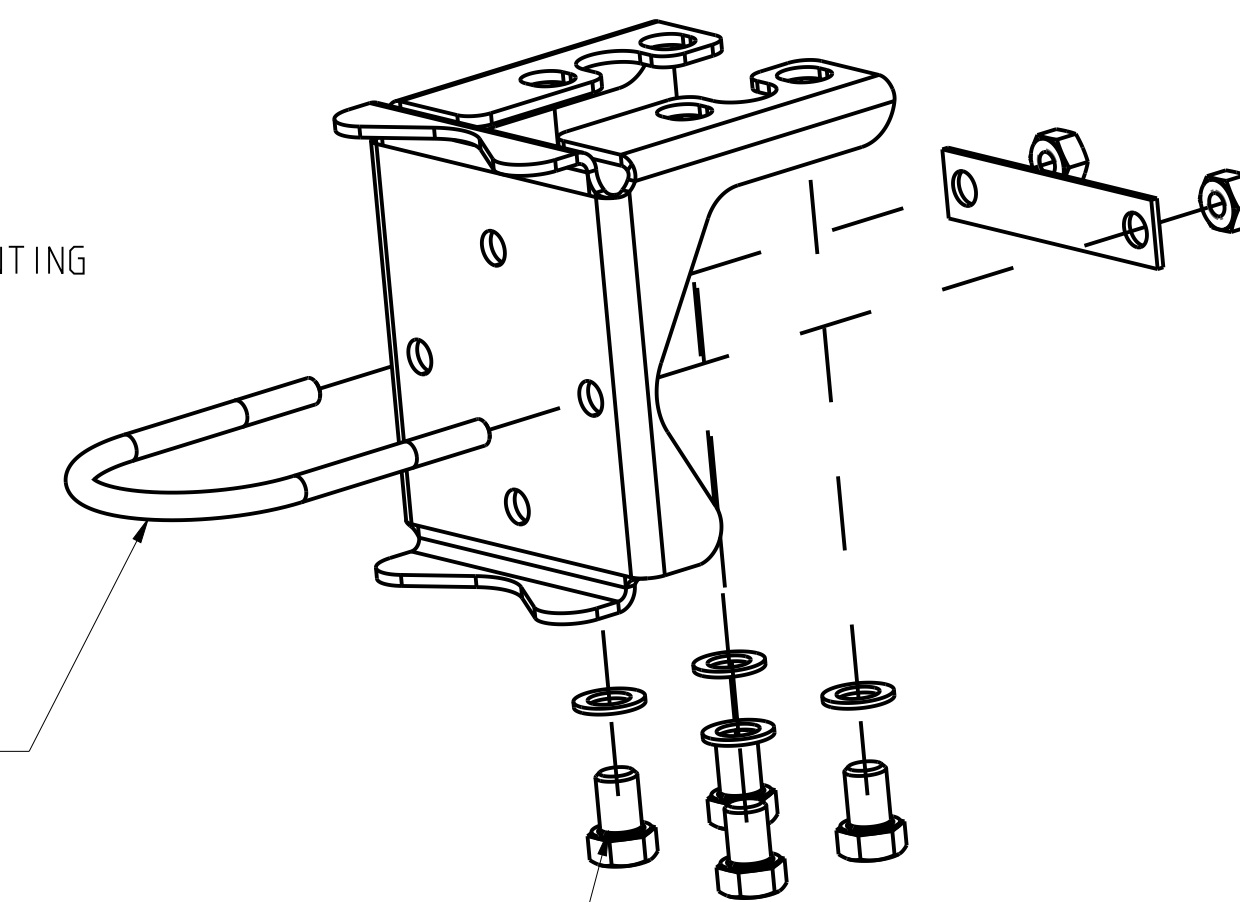
ROSEMOUNT 2051C COPLANAR PRESSURE TRANSMITTER
TRADITIONAL FLANGE MOUNTING CONFIGURATIONS

PIPE MOUNTING



7/16-20 x 5/8 BOLTS
FOR TRANSMITTER MOUNTING

2 INCH U-BOLT
FOR PIPE MOUNTING



7/16-20 x 5/8 BOLTS
FOR TRANSMITTER MOUNTING

©2015 ROSEMOUNT, INC.
ROSEMOUNT AND LOGO ARE TRADEMARKS OF ROSEMOUNT ENGINEERING SPECIFICATIONS.
UNIT NOTES IN INCHES (mm).

REFERENCE ROSEMOUNT PRODUCT SPECIFICATIONS.
[CLICK HERE](#)

3RD ANGLE

EMERSON

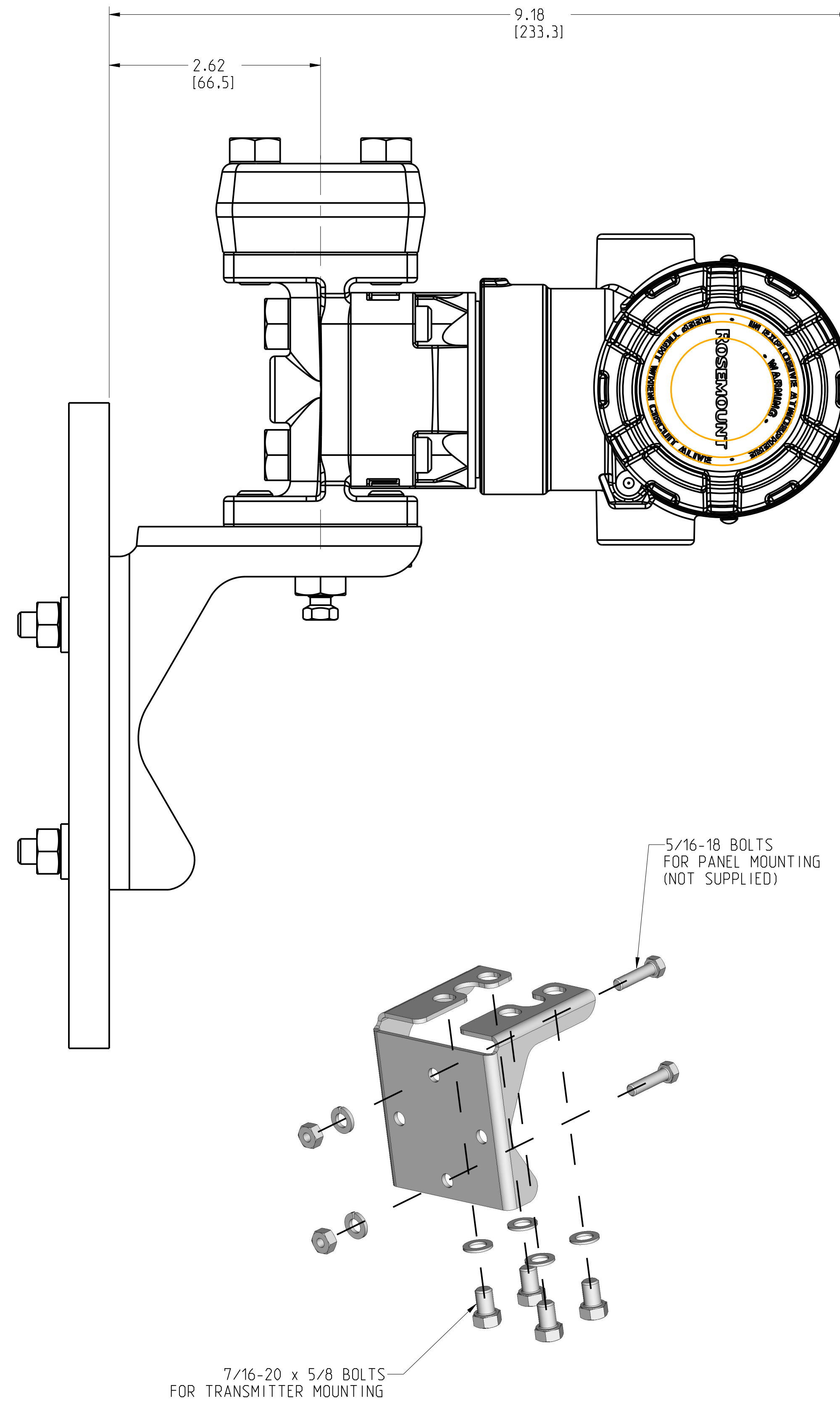
TITLE ROSEMOUNT 2051C COPLANAR
TYPE I DRAWING

DR. J. ARMSTRONG	11/30/16	DRAWING NO.	02051-7710
APP'D N. MEIDL	11/30/16		

CAD MAINTAINED. (PRO/E) SHEET 4 OF 10

ROSEMOUNT 2051C COPLANAR PRESSURE TRANSMITTER
TRADITIONAL FLANGE MOUNTING CONFIGURATIONS

PANEL MOUNTING



©2015 ROSEMOUNT, INC.
ROSEMOUNT AND ALL OTHER
TRADEMARKS ARE THE PROPERTY OF
ROSEMOUNT ENGINEERING
SPECIFICATIONS.
UNIT NOTES IN INCHES (mm).

REFERENCE ROSEMOUNT
PRODUCT SPECIFICATIONS.
[CLICK HERE](#)

3RD ANGLE

EMERSON

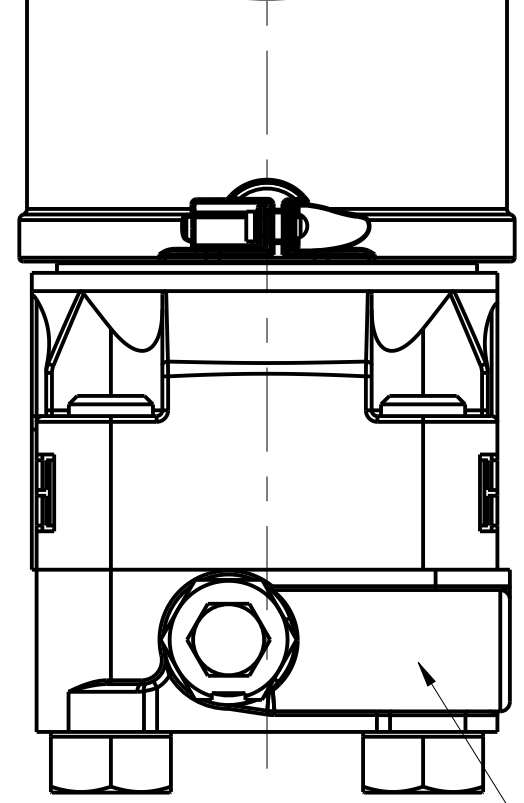
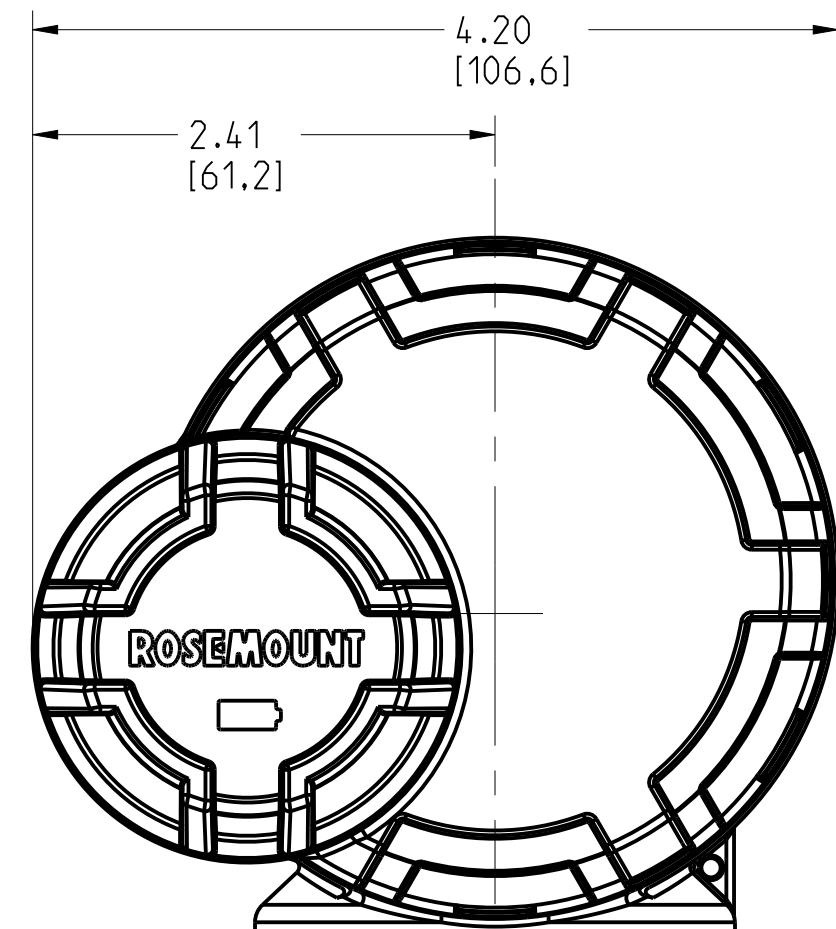
TITLE ROSEMOUNT 2051C COPLANAR
TYPE I DRAWING

DR. J. ARMSTRONG	11/30/16	DRAWING NO.	02051-7710
APP'D N. MEIDL	11/30/16		
CAD MAINTAINED (PRO/E)			SHEET 5 OF 10

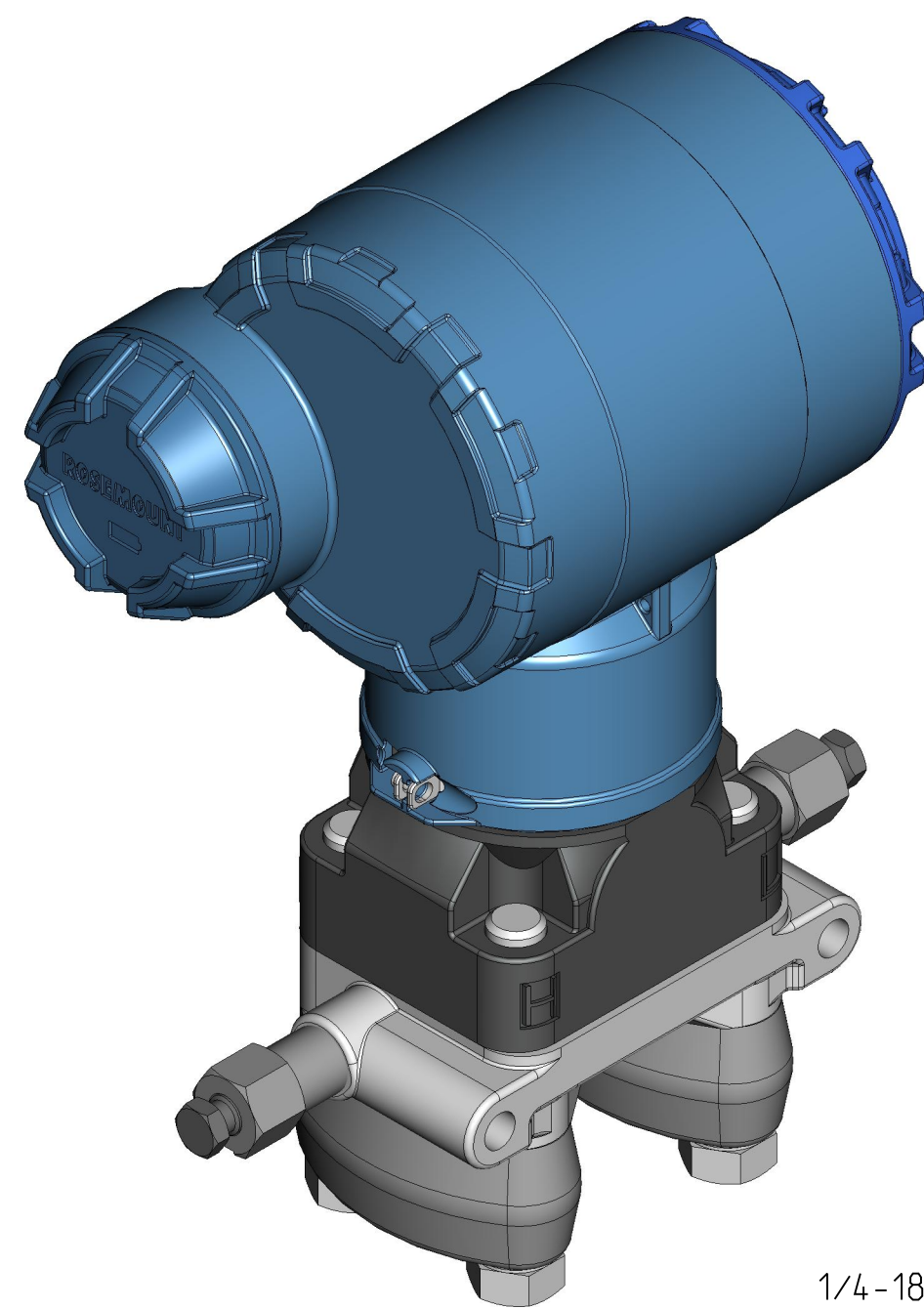
ROSEMOUNT 2051C WIRELESS COPLANAR PRESSURE TRANSMITTER COPLANAR FLANGE PROCESS CONNECTION

OUTPUT CODE X
POLYMER HOUSING

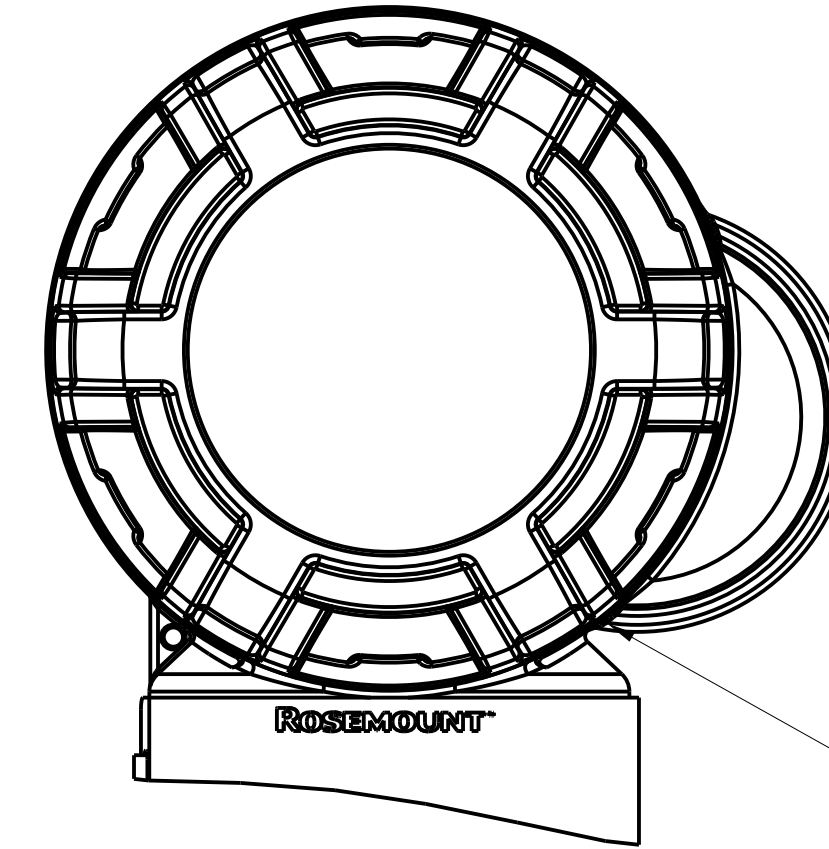
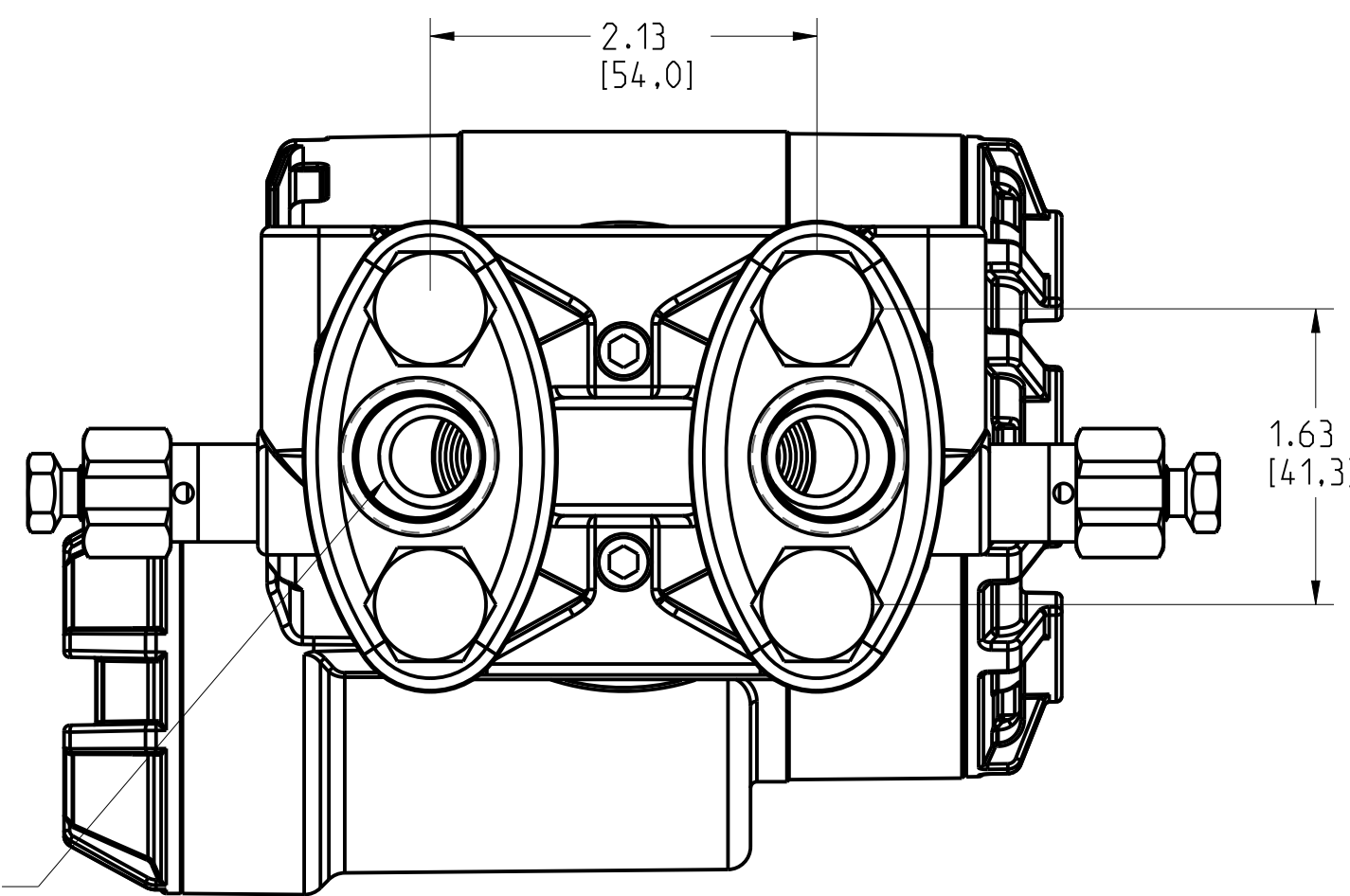
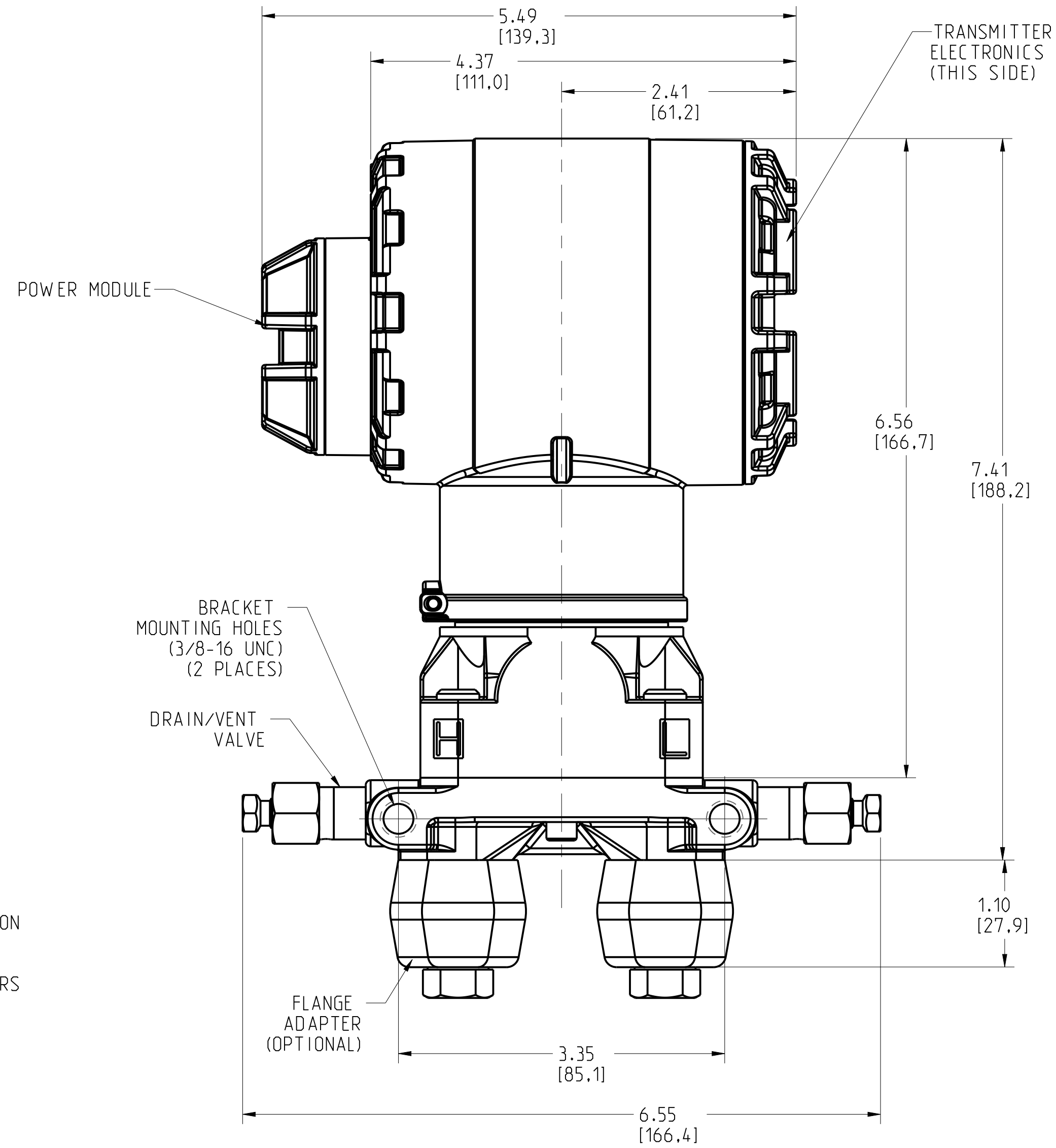
SHOWN WITH OPTIONAL DIGITAL DISPLAY



COPLANAR FLANGE
PROCESS CONNECTION
PER IEC 61518
2.125 (54)
CONNECTION CENTERS



1/4-18 NPT PROCESS CONNECTION OR
1/2-14 NPT WITH OPTIONAL FLANGE
ADAPTERS. ADAPTERS CAN BE ROTATED
TO GIVE CONNECTIONS CENTERS OF
2.00 (51), 2.125 (54), OR 2.25 (57)



DIGITAL DISPLAY
COVER

©2015 ROSEMOUNT, INC. ALL RIGHTS RESERVED. THIS DRAWING IS THE PROPERTY OF ROSEMOUNT ENGINEERING SPECIFICATIONS. UNIT NOTES IN INCHES (mm).

REFERENCE ROSEMOUNT PRODUCT SPECIFICATIONS. [CLICK HERE](#)

CAD MAINTAINED: (PRO/E)

3RD ANGLE

EMERSON

TITLE ROSEMOUNT 2051C COPLANAR
TYPE I DRAWING

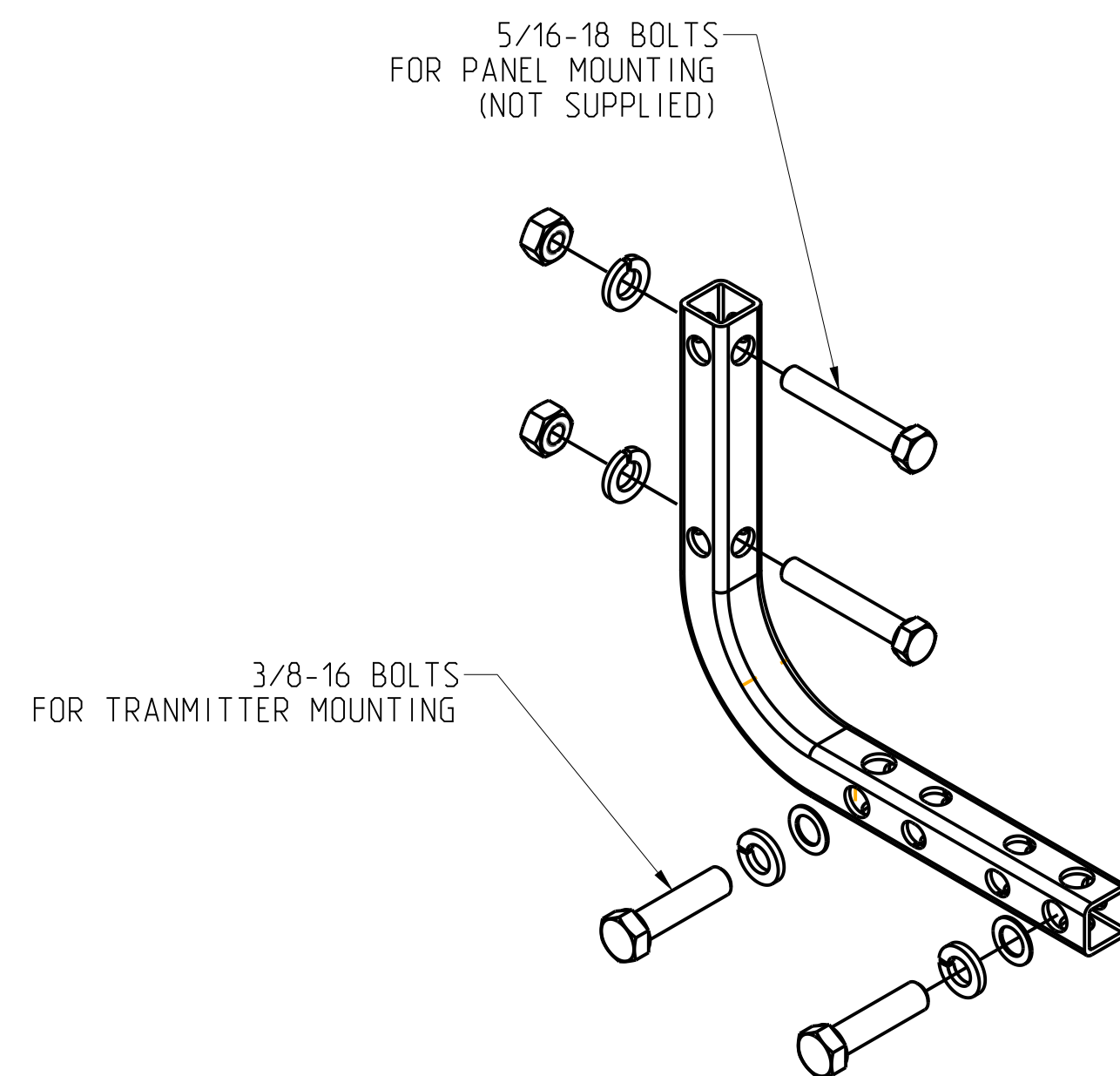
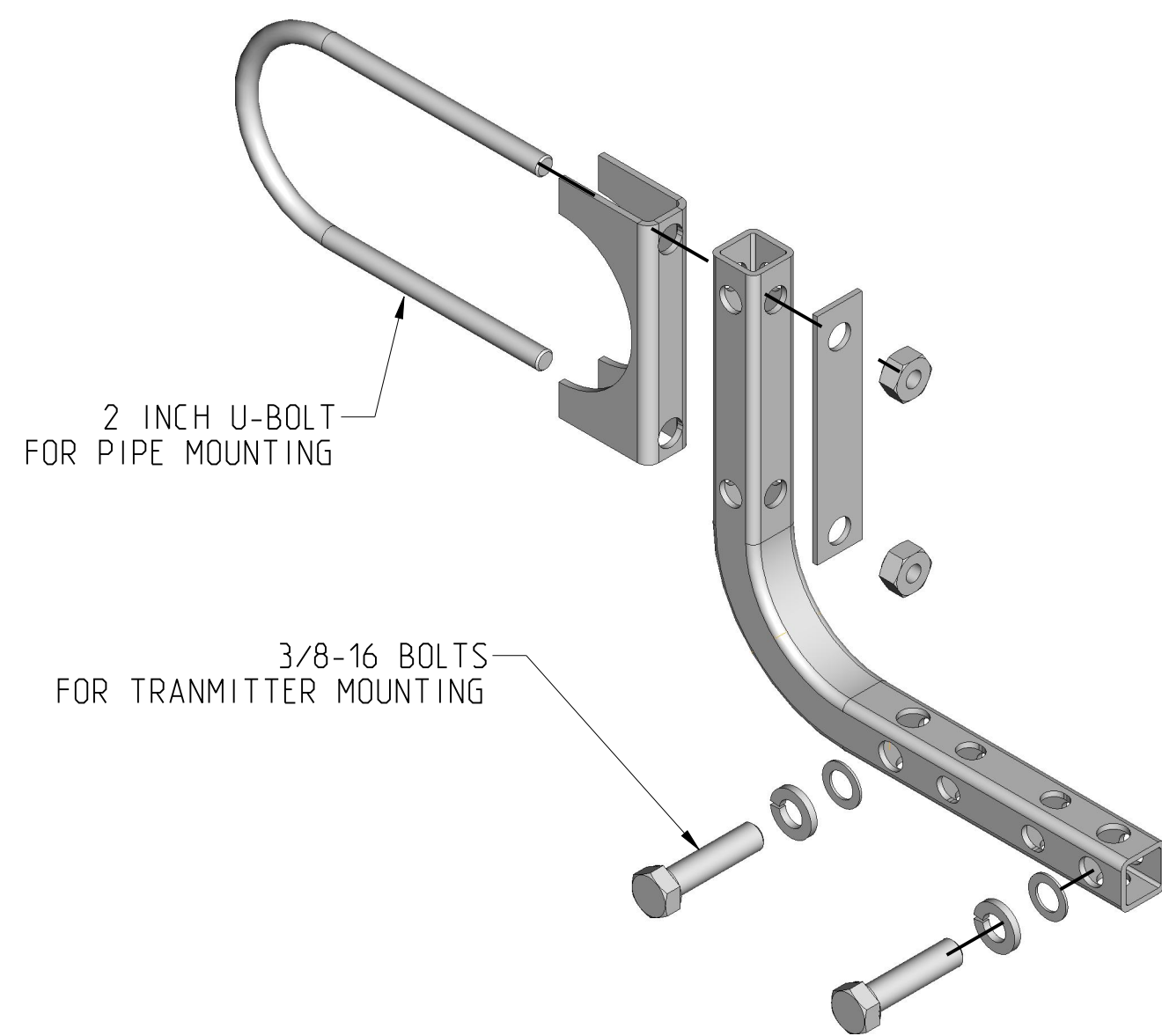
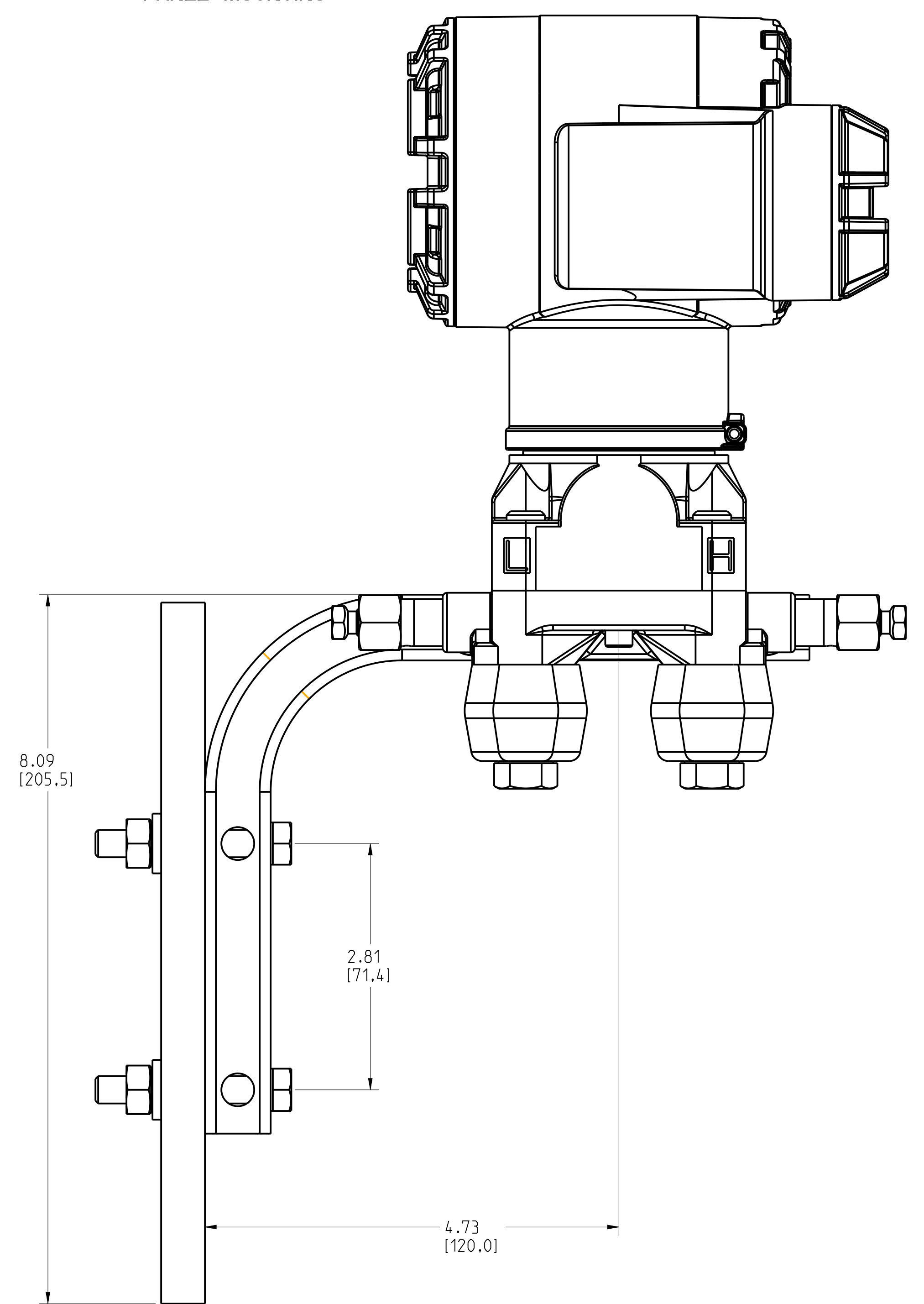
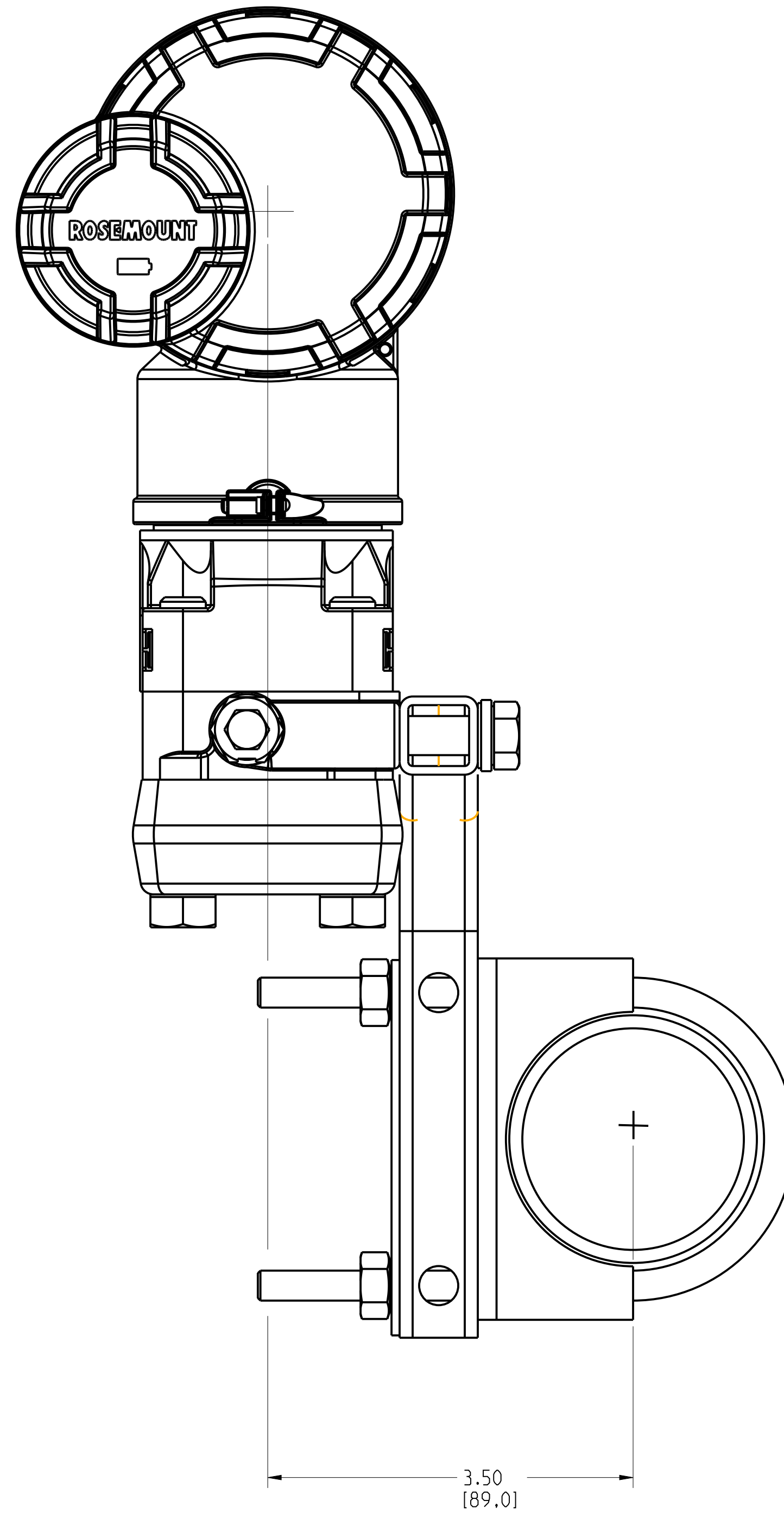
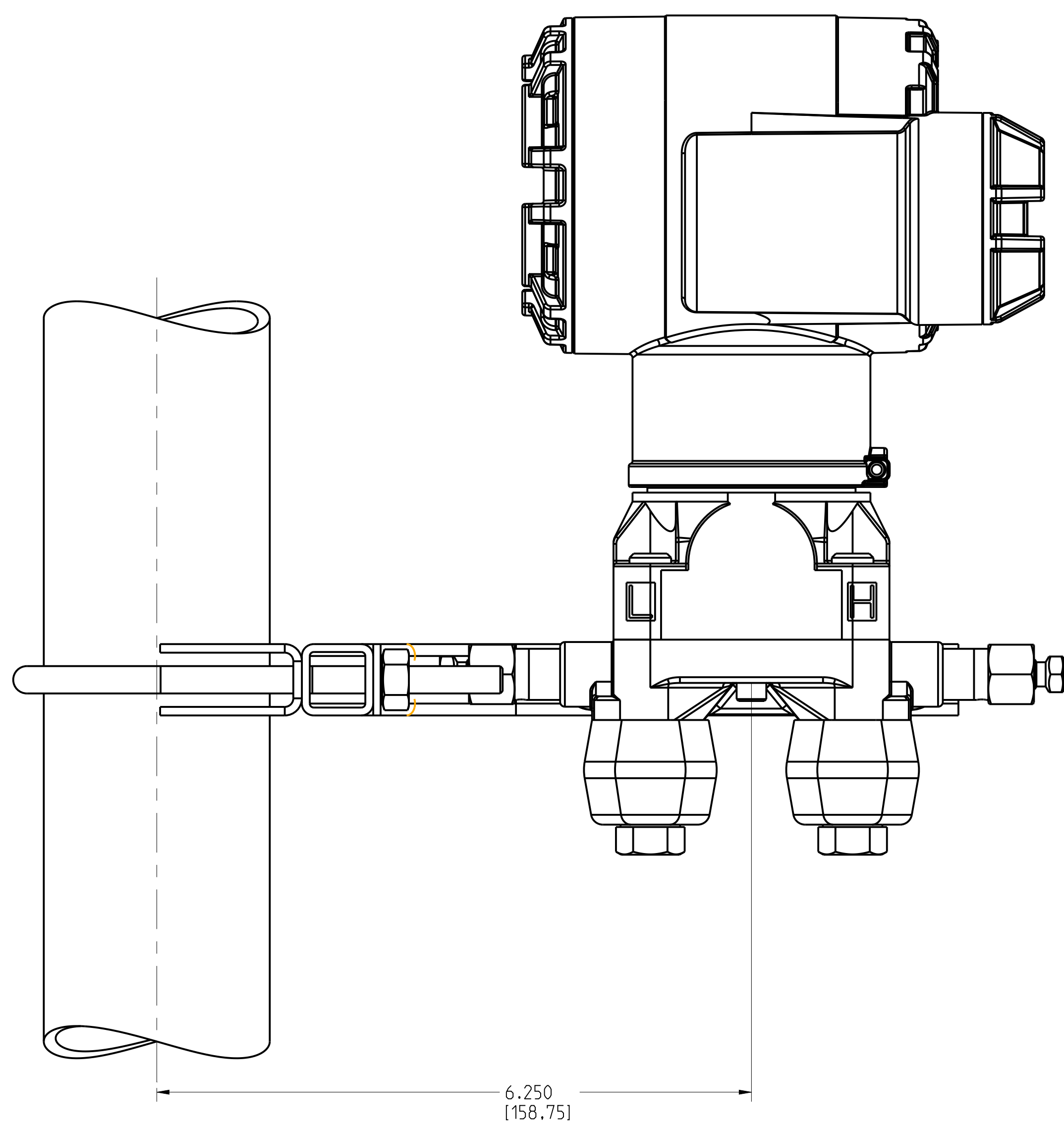
DR. J. ARMSTRONG	11/30/16	DRAWING NO.	02051-7710
APP'D N. MEIDL	11/30/16		

SHEET 6 OF 10

ROSEMOUNT 2051C WIRELESS COPLANAR PRESSURE TRANSMITTER
 COPLANAR FLANGE MOUNTING CONFIGURATIONS

PIPE MOUNTING

PANEL MOUNTING



©2015 ROSEMOUNT, INC. ALL RIGHTS RESERVED. THIS DRAWING IS THE PROPERTY OF ROSEMOUNT ENGINEERING SPECIFICATIONS. UNIT NOTES IN INCHES (mm).

REFERENCE ROSEMOUNT PRODUCT SPECIFICATIONS. [CLICK HERE](#)

3RD ANGLE

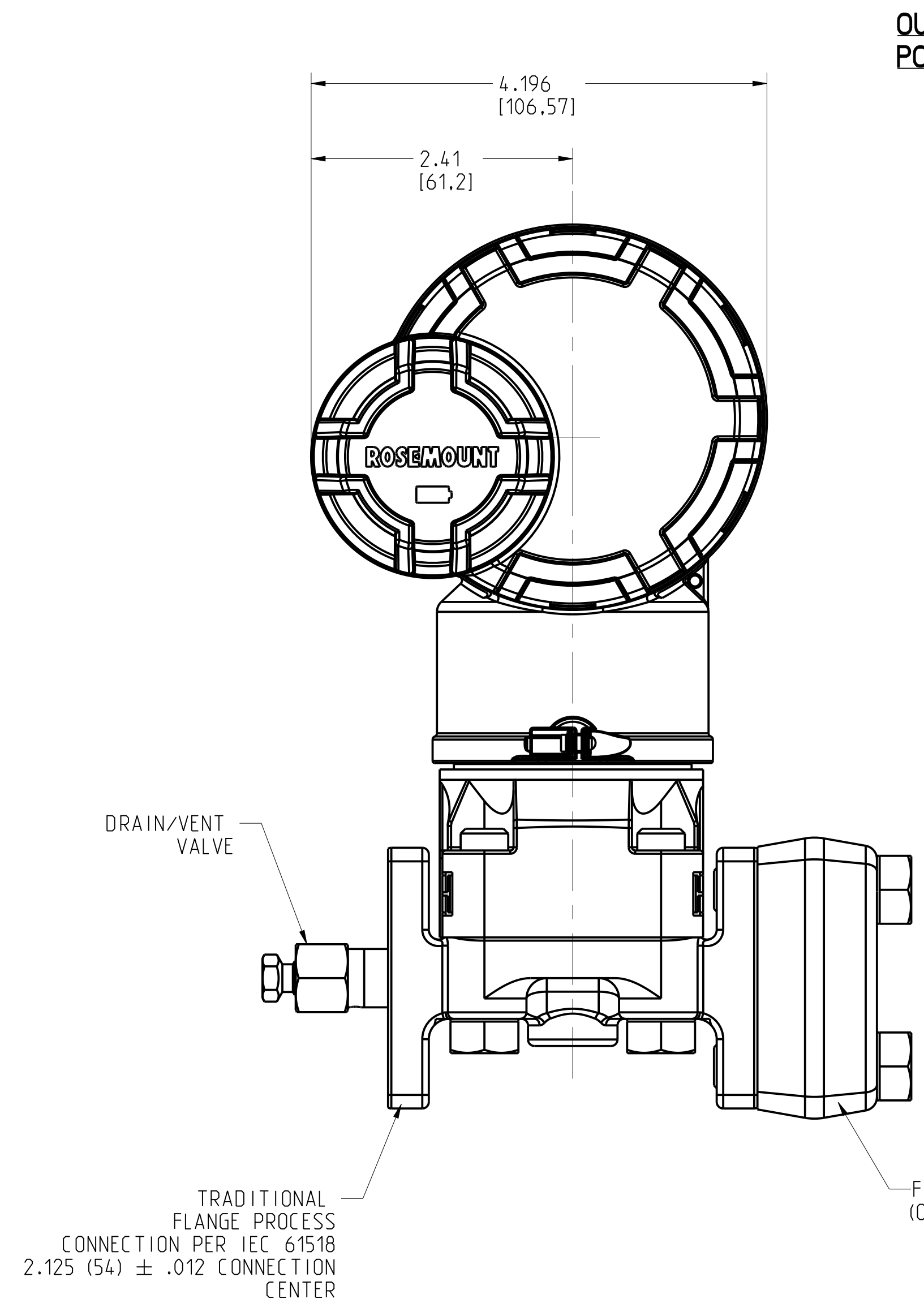
EMERSON

TITLE ROSEMOUNT 2051C COPLANAR TYPE I DRAWING

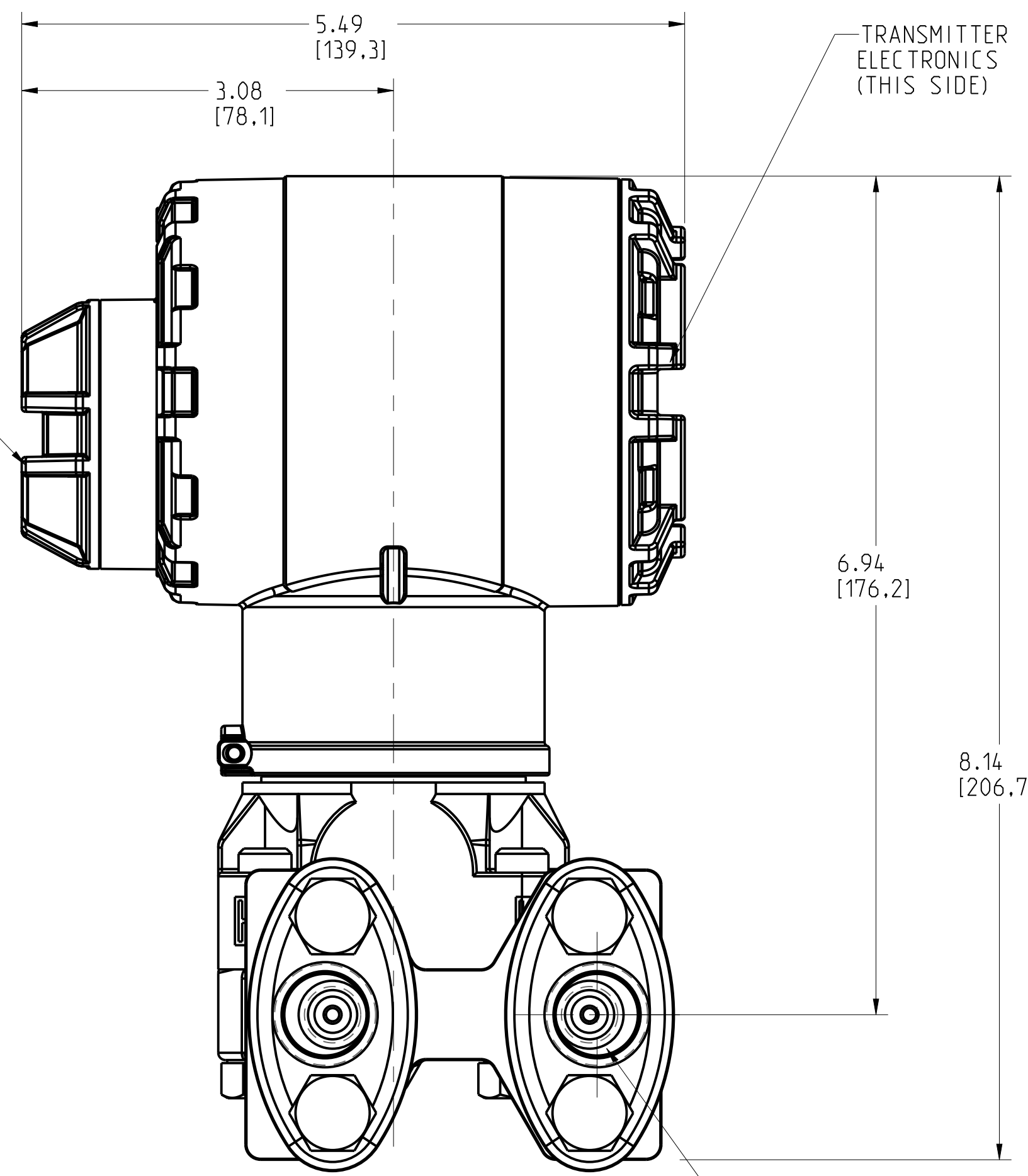
DR. J. ARMSTRONG	11/30/16	DRAWING NO.	02051-7710
APP'D N. MEIDL	11/30/16		

CAD MAINTAINED (PRO/E) SHEET 7 OF 10

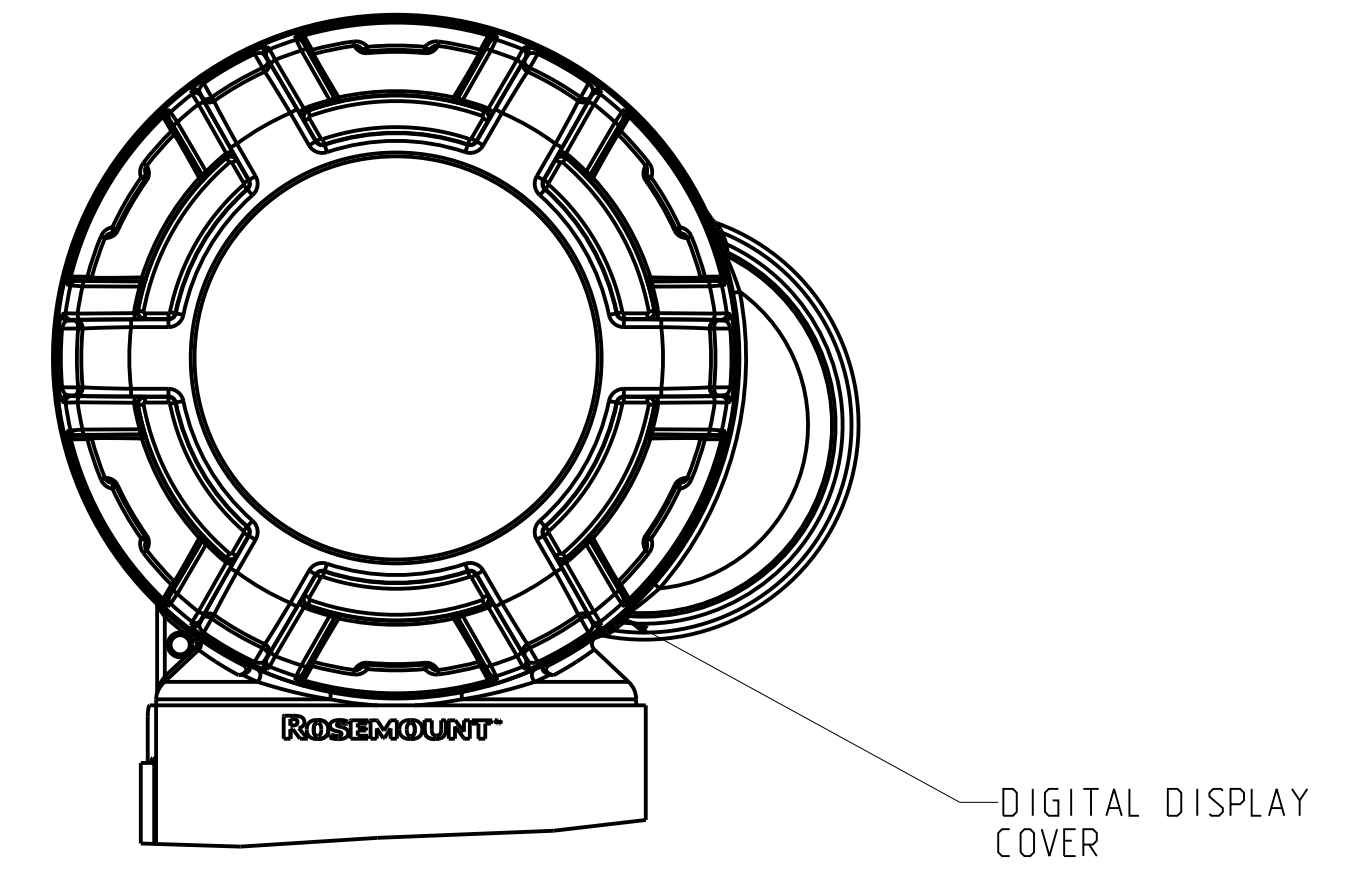
ROSEMOUNT 2051C WIRELESS COPLANAR PRESSURE TRANSMITTER TRADITIONAL FLANGE MOUNTING CONFIGURATIONS



OUTPUT CODE X
POLYMER HOUSING

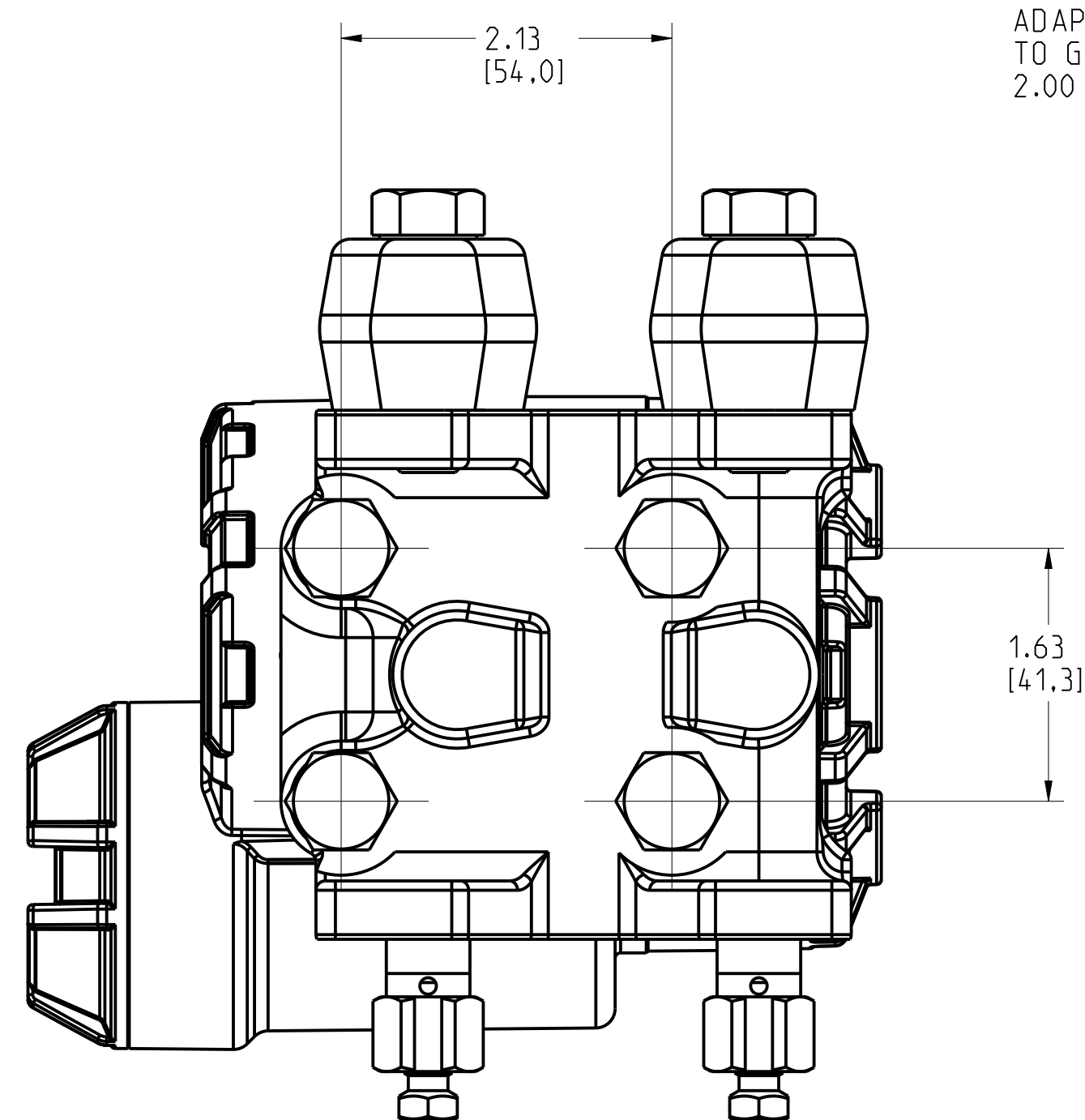
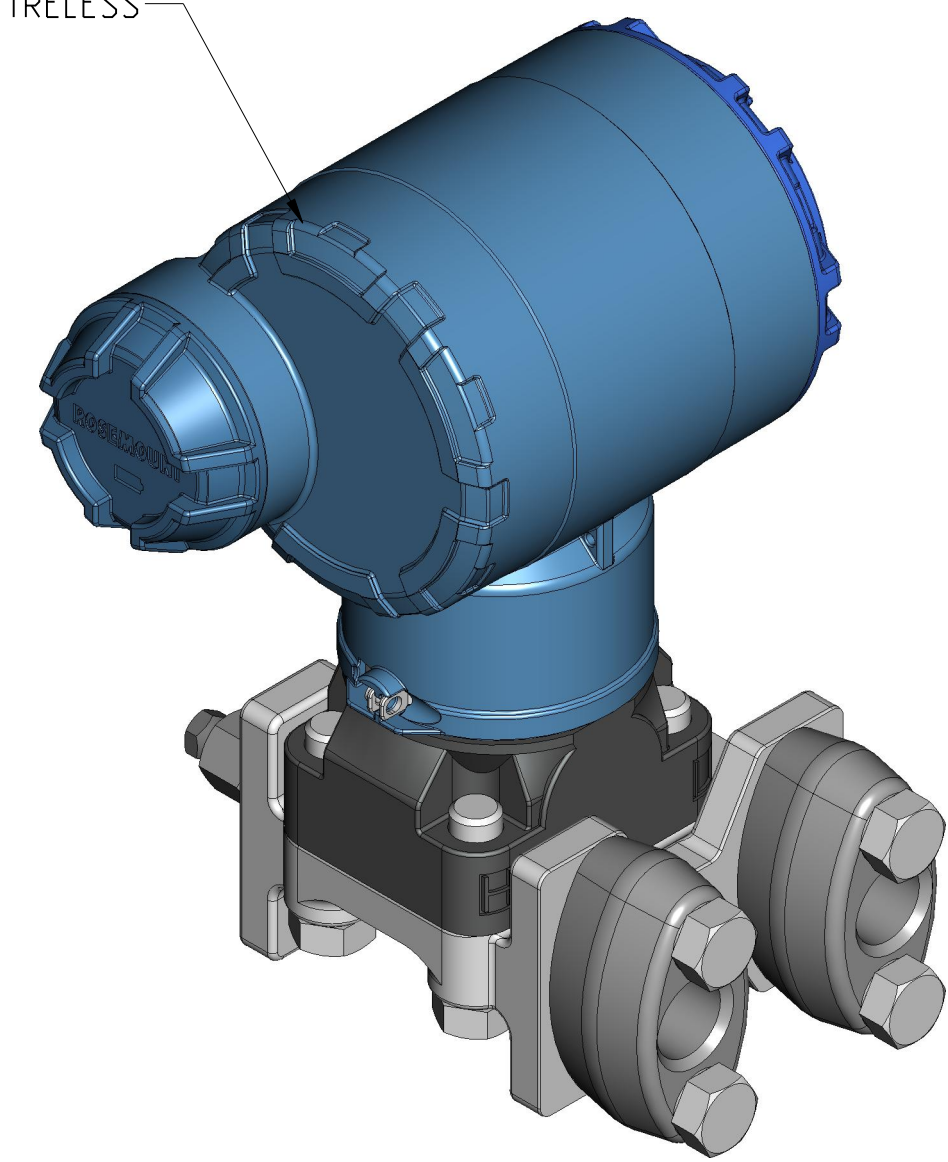


SHOWN WITH OPTIONAL DIGITAL DISPLAY



1/4-18 NPT PROCESS CONNECTION OR
1/2-14 NPT WITH OPTIONAL FLANGE
ADAPTERS. ADAPTERS CAN BE ROTATED
TO GIVE CONNECTION CENTERS OF
2.00 (51), 2.125 (54), OR 2.25 (57)

2051C WIRELESS



©2015 ROSEMOUNT, INC.
ROSEMOUNT AND ALL OTHER
TRADEMARKS ARE THE PROPERTY OF
ROSEMOUNT ENGINEERING
SPECIFICATIONS.
UNIT NOTES IN INCHES (mm).

REFERENCE ROSEMOUNT
PRODUCT SPECIFICATIONS.
[CLICK HERE](#)

3RD ANGLE

EMERSON

TITLE ROSEMOUNT 2051C COPLANAR
TYPE I DRAWING

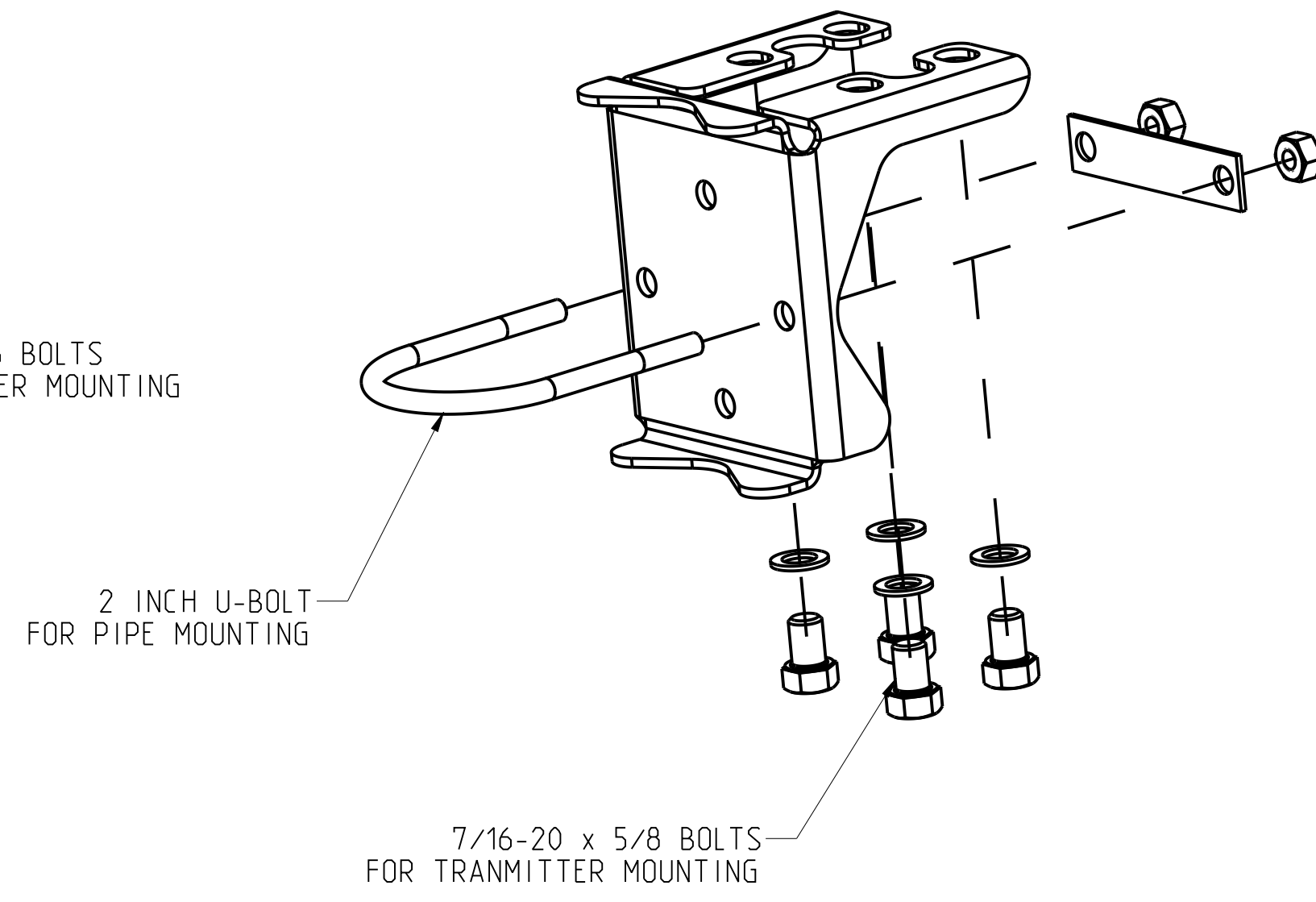
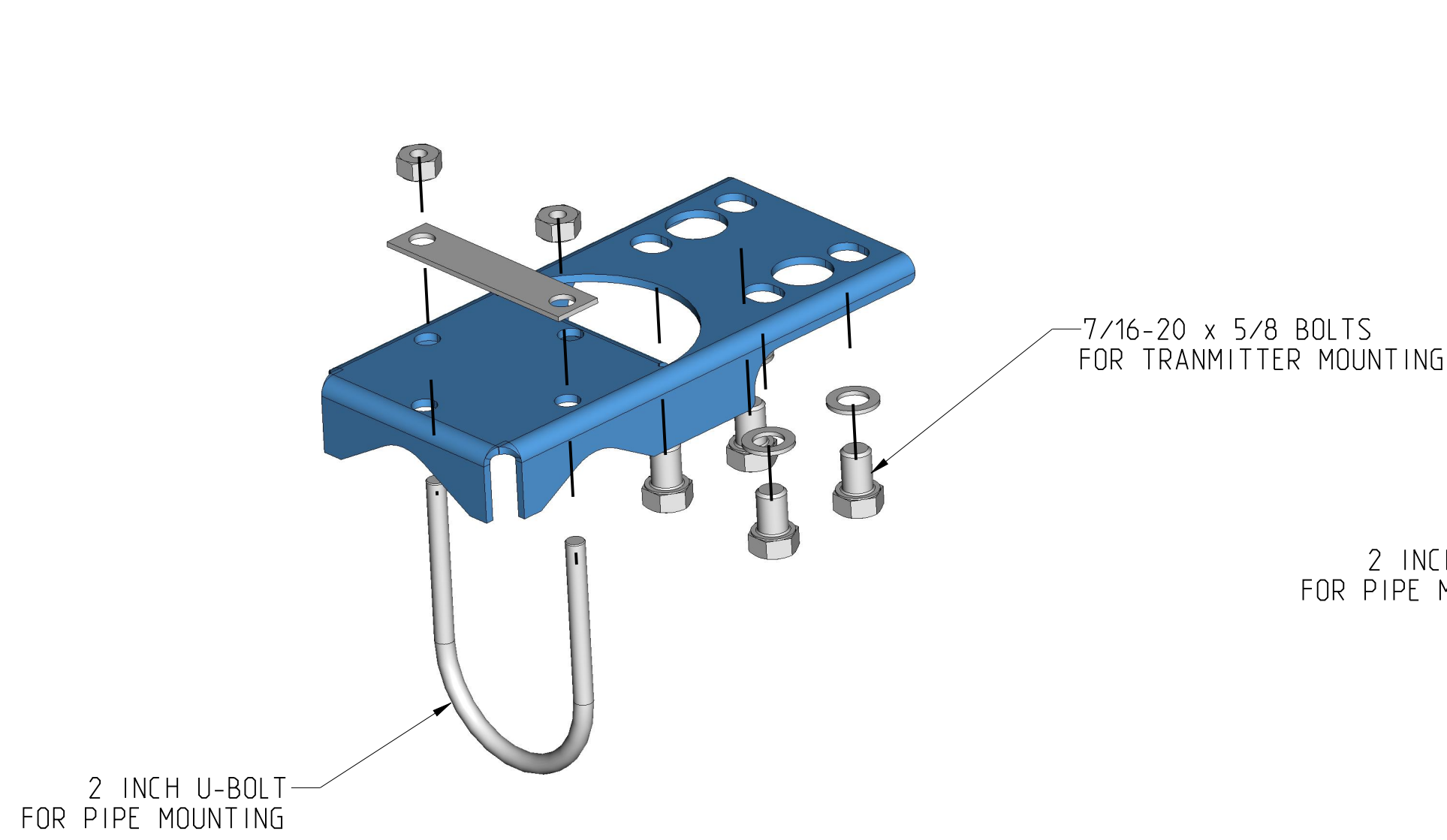
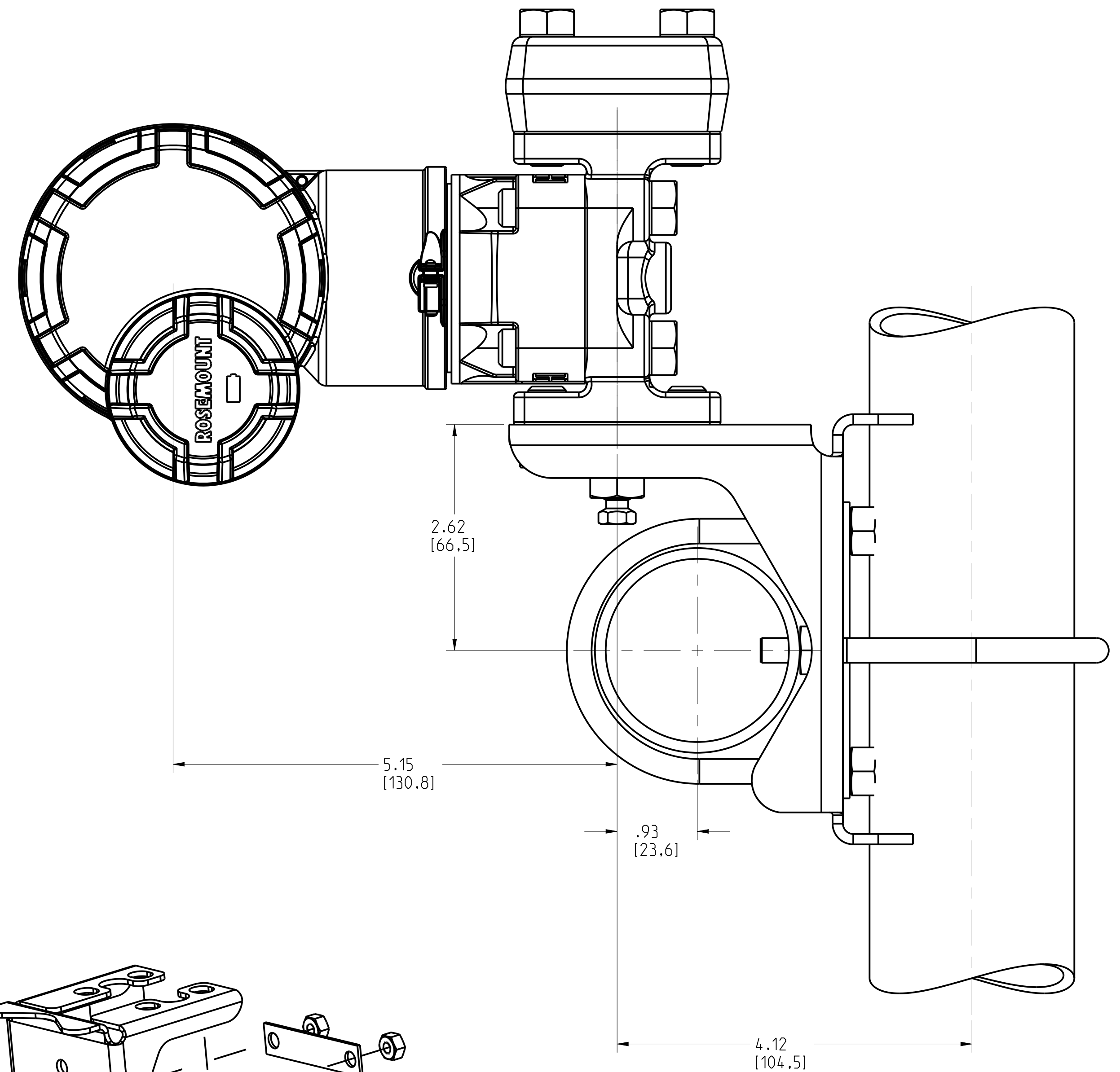
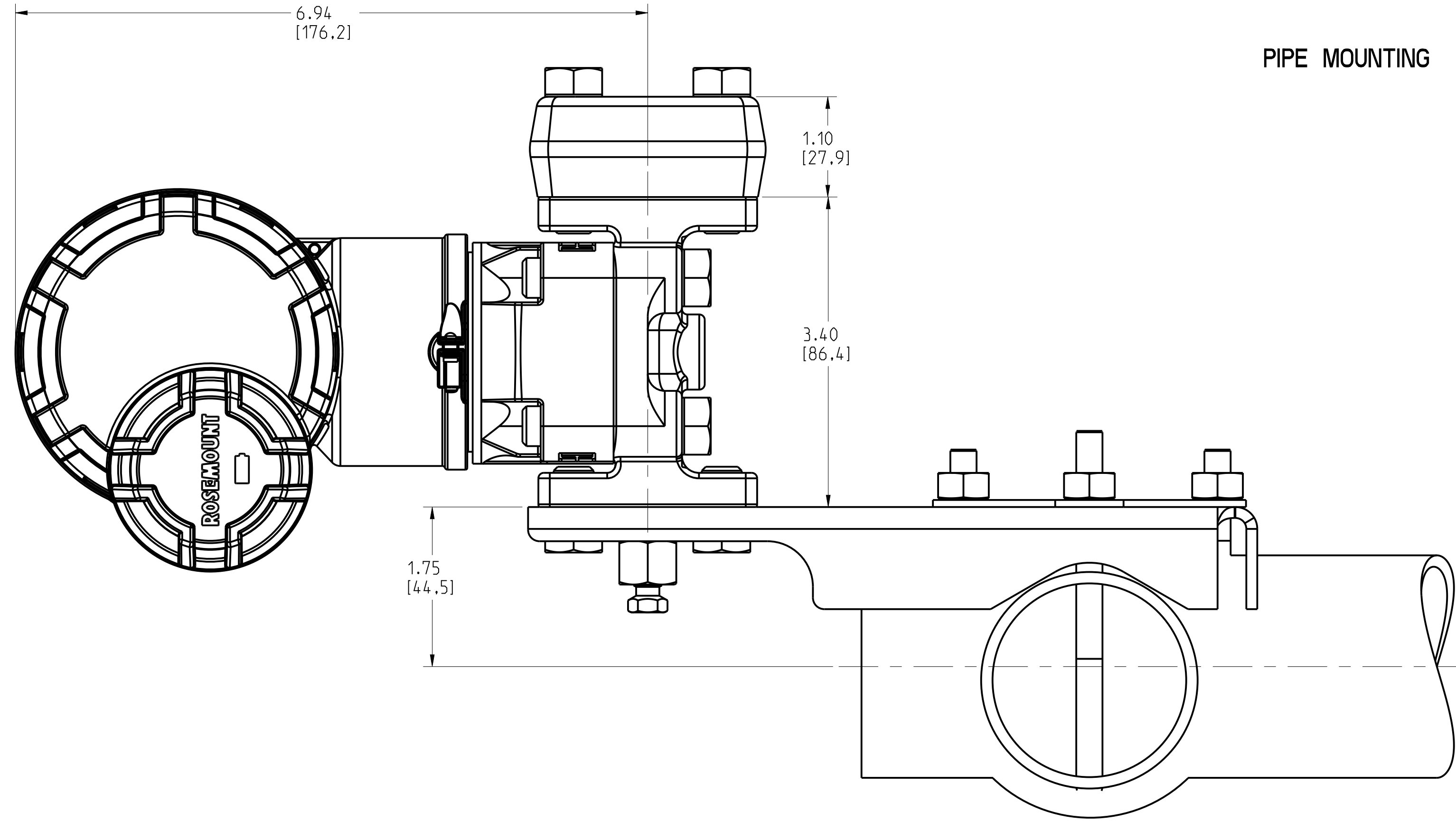
DR. J. ARMSTRONG 11/30/16 DRAWING NO. 02051-7710

APP'D N. MEIDL 11/30/16

CAD MAINTAINED (PRO/E) SHEET 8 OF 10

ROSEMOUNT 2051C WIRELESS COPLANAR PRESSURE TRANSMITTER
TRADITIONAL FLANGE MOUNTING CONFIGURATIONS

PIPE MOUNTING



©2015 ROSEMOUNT, INC. ROSEMOUNT AND CLEARVIEW ARE TRADEMARKS OF ROSEMOUNT ENGINEERING SPECIFICATIONS. UNIT NOTES IN INCHES (mm).

REFERENCE ROSEMOUNT PRODUCT SPECIFICATIONS. [CLICK HERE](#)

EMERSON

TITLE ROSEMOUNT 2051C COPLANAR TYPE I DRAWING

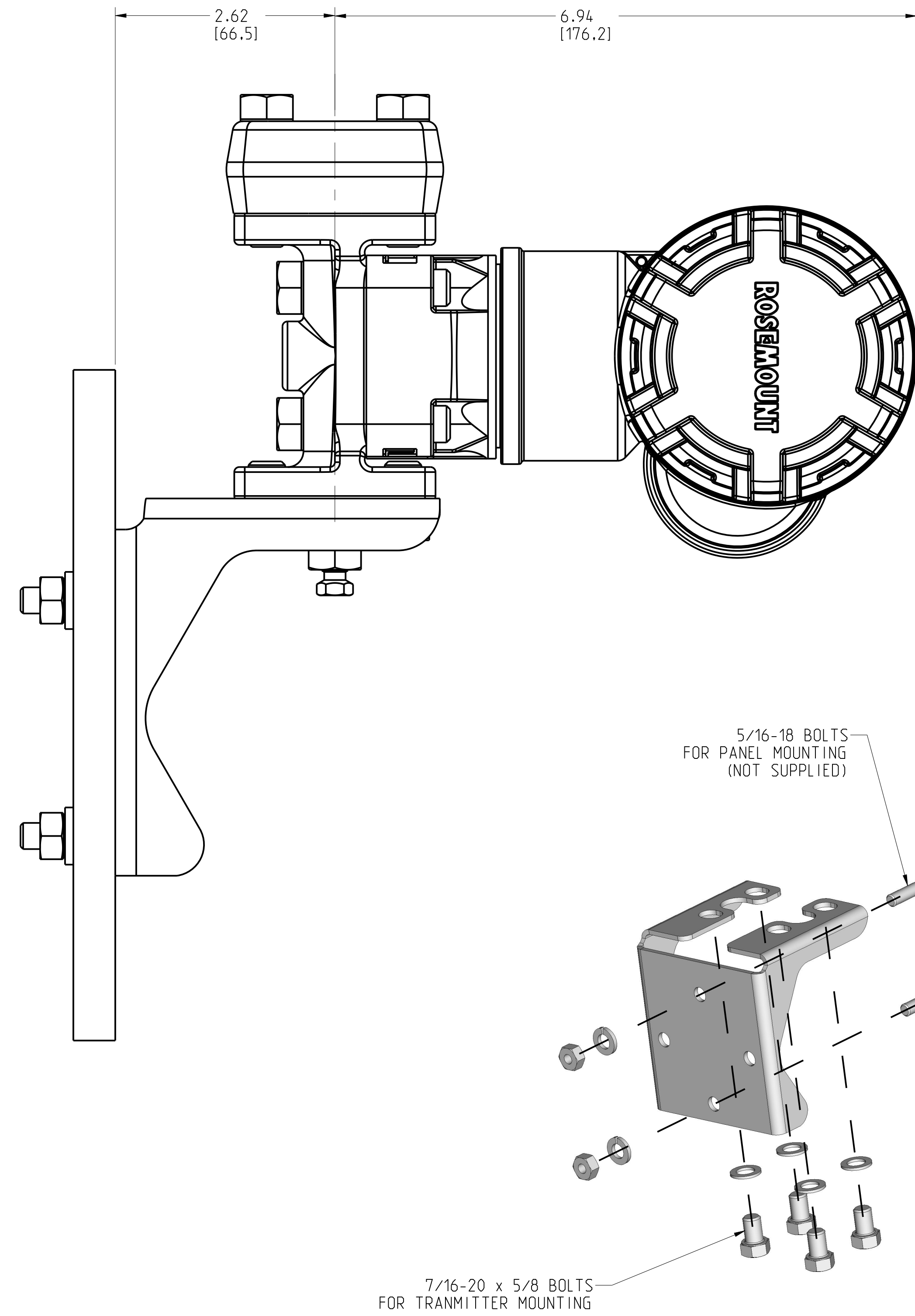
DR. J. ARMSTRONG 11/30/16 DRAWING NO. 02051-7710

APP'D N. MEIDL 11/30/16

CAD MAINTAINED (PRO/E) SHEET 9 OF 10

ROSEMOUNT 2051C WIRELESS COPLANAR PRESSURE TRANSMITTER
 TRADITIONAL FLANGE MOUNTING CONFIGURATIONS

PANEL MOUNTING



©2015 ROSEMOUNT, INC.
 ROSEMOUNT AND ALL OTHER TRADE NAMES
 ARE REGISTERED TRADEMARKS OF
 ROSEMOUNT ENGINEERING
 SPECIFICATIONS.
 UNIT NOTES IN INCHES (mm).

REFERENCE ROSEMOUNT FOR
 PRODUCT SPECIFICATIONS.
[CLICK HERE](#)

3RD ANGLE

EMERSON

TITLE ROSEMOUNT 2051C COPLANAR
 TYPE I DRAWING

DR. J. ARMSTRONG	11/30/16	DRAWING NO.	02051-7710
APP'D N. MEIDL	11/30/16		
CAD MAINTAINED (PRO/E)			SHEET 10 OF 10