

FEATURES & BENEFITS

STANDARDIZED PLATFORM

Offering a standardized line of water tempering solutions providing shorter lead times, advanced compliance, cost efficiencies, and customizable configuration options.

VISUAL PLACEMENT

High visibility safety green powder coating, internal illumination and an optional external booth illumination package announces to all in the immediate area there is safety equipment nearby.

BLENDING SYSTEM

Safe, fully engineered thermostatic mixing valve for mixing large volumes of hot and cold water guarded with anti-scald protection and full flow cold water bypass to provide tempered water in adverse situations.

TANK SYSTEM OPTIONS

Tanks available: 119 Gal non-ASME (450 L), 120 Gal (454 L) ASME, or 200 Gal (757 L) ASME that will store enough hot water to provide a single 15 minute shower and eye/face wash use. Also available in ASME is a 318 Gal (1203 L) or 400 Gal (1514 L) that stores enough hot water to provide two 15 minute shower and eye/face wash uses before tank recovery is required.

AXION TECHNOLOGY

AXION[®]MSR eye/facewash head uses an inverted directional laminar flow to sweep contaminants away from the vulnerable nasal cavity, and hydrodynamic shower head design for even flow throughout the flow pattern.

ELECTRICAL SYSTEM OPTIONS

Haws provides systems at various voltage options, including 480V 3ph, 600V 3ph, 208V 1ph, 208V 3ph, 240V 1ph, and 240V 3ph. Electrical area rating options include Type 4 Ordinary Location and Hazardous Location up to CL1 DIV 2 B, C, D, T3

MONITORING

Advanced Programmable Monitoring Control System provides real-time digital display with many features including alarm cycle history and fault history. Capabilities include automatic alarm silencing reset, customer control room synchronization, and more.

EXTREME WEATHER OPTIONS

Select from three Environmental packages including a Northern Package with protection to -20° F, an Arctic Package with protection to -50° F, and a Desert Package for extreme heat to +120° F



SPECIFICATIONS

Model 8710 heated enclosed shower and eye/face wash shall include a 5' x 10' (1.52 x 3.04 m) bright green, chemically resistant, water-proof coated booth made with an aluminum base, frame, and enclosure. This superior design provides optional operating temperature ranges of -50° to 120° F (-40° to 49° C), and shall include spring-loaded, self closing shower doors, equipment room door, and removable service panel. The use of an Advanced Programmable Monitoring Control System allows for real-time control of the operating system. The booth is trimmed with large directional arrows, large and small universal shower/eyewash signs, fiberglass floor grate, and 3" IPS inside caulk drain. Temperature extremes are protected by scald and freeze bleed valves. The internal booth temperature is maintained by a space heater. The standard alarm system is flow switch activated, and provides local audible and visible alarms. The tempered blending system will include an integral hot water supply, and will incorporate fail-safe features like anti-scald protection and full flow cold water bypass. There is the medically acclaimed AXION[®] 20 gpm (75.7L) showerhead and AXION[®] MSR 3.7gpm (14 L) eye/face wash head assembly (patent pending), along with a 3 gpm (11.4 L) side hanging drench hose.

APPLICATIONS

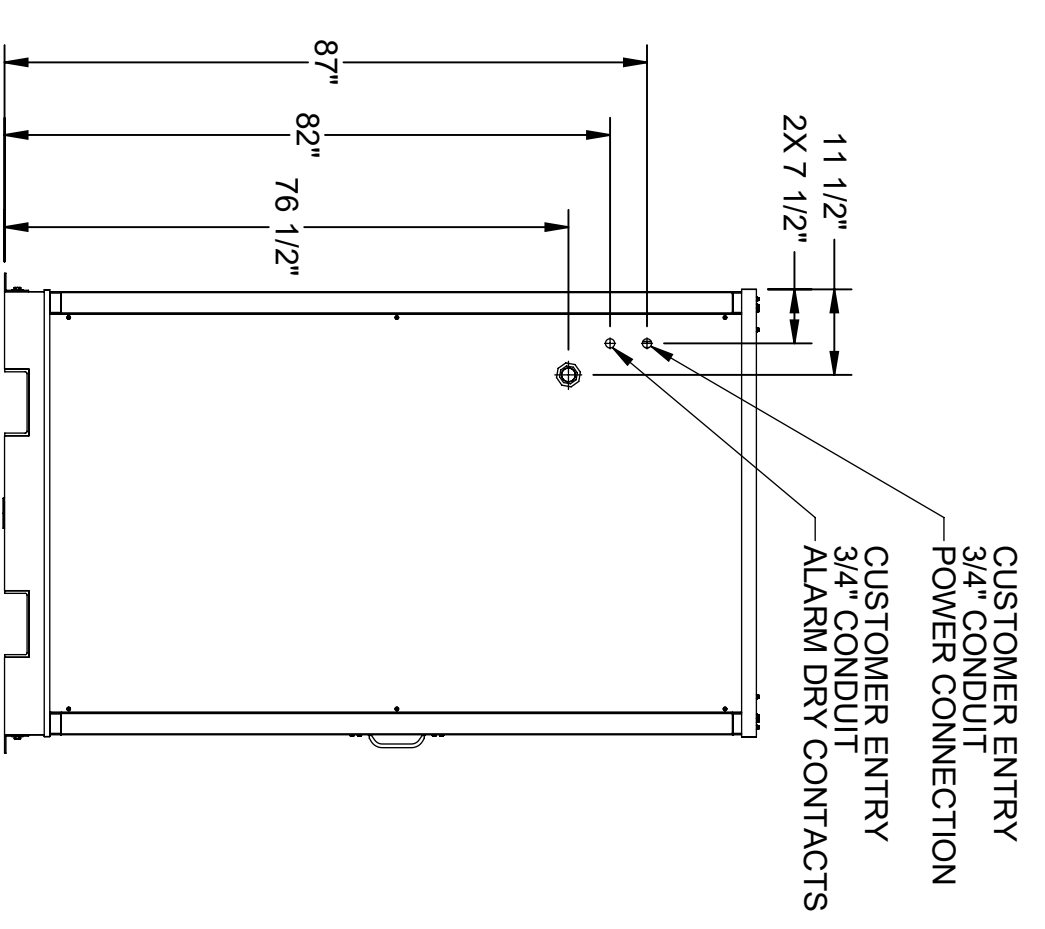
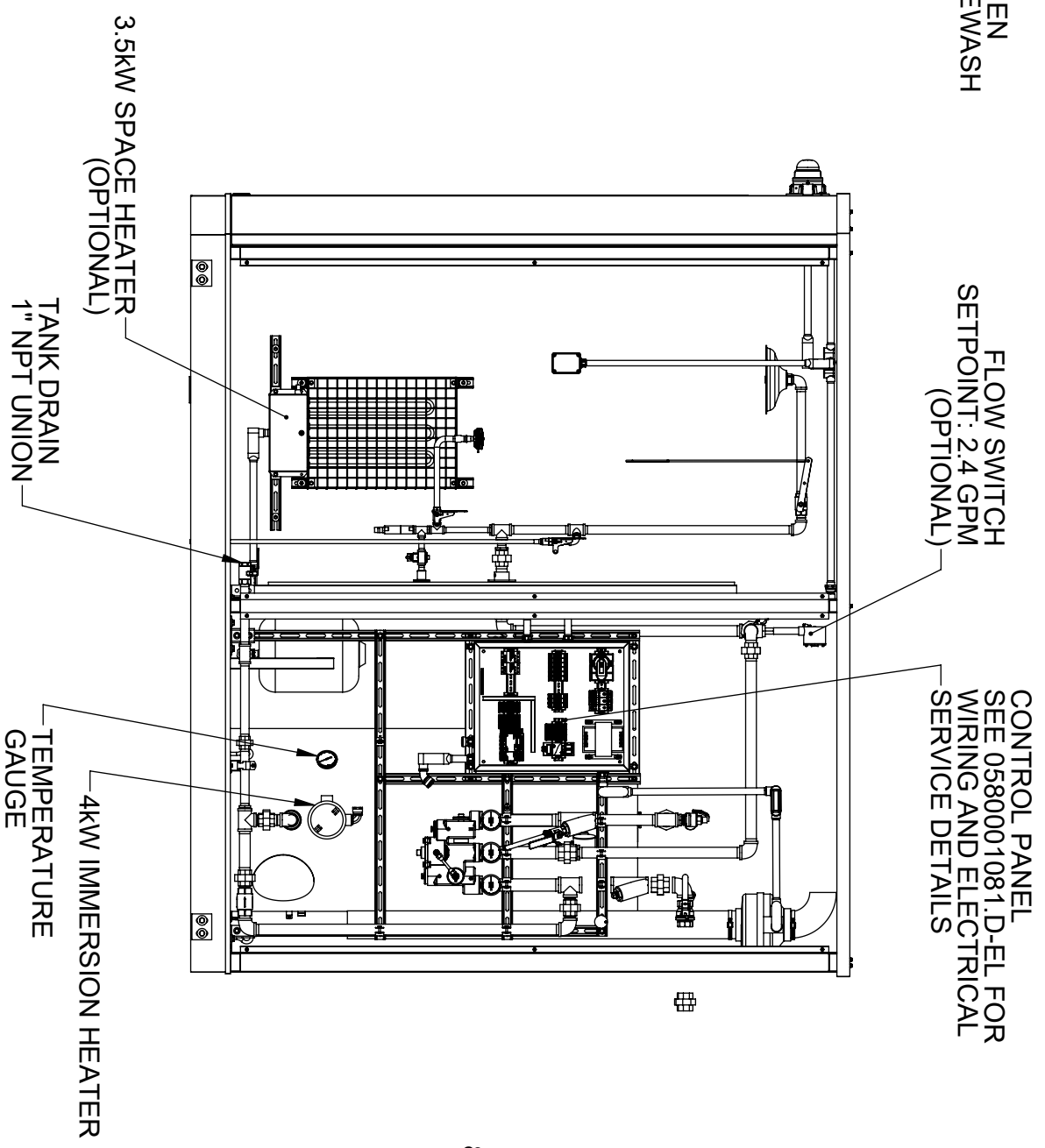
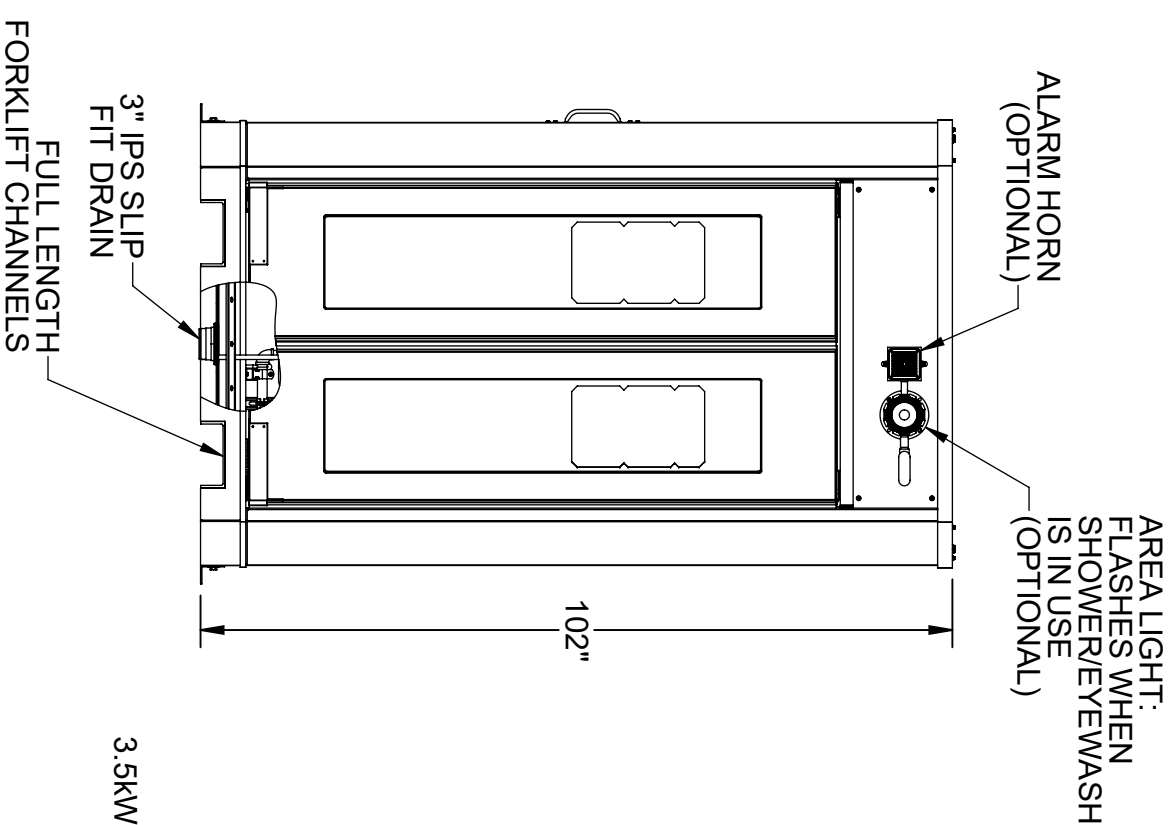
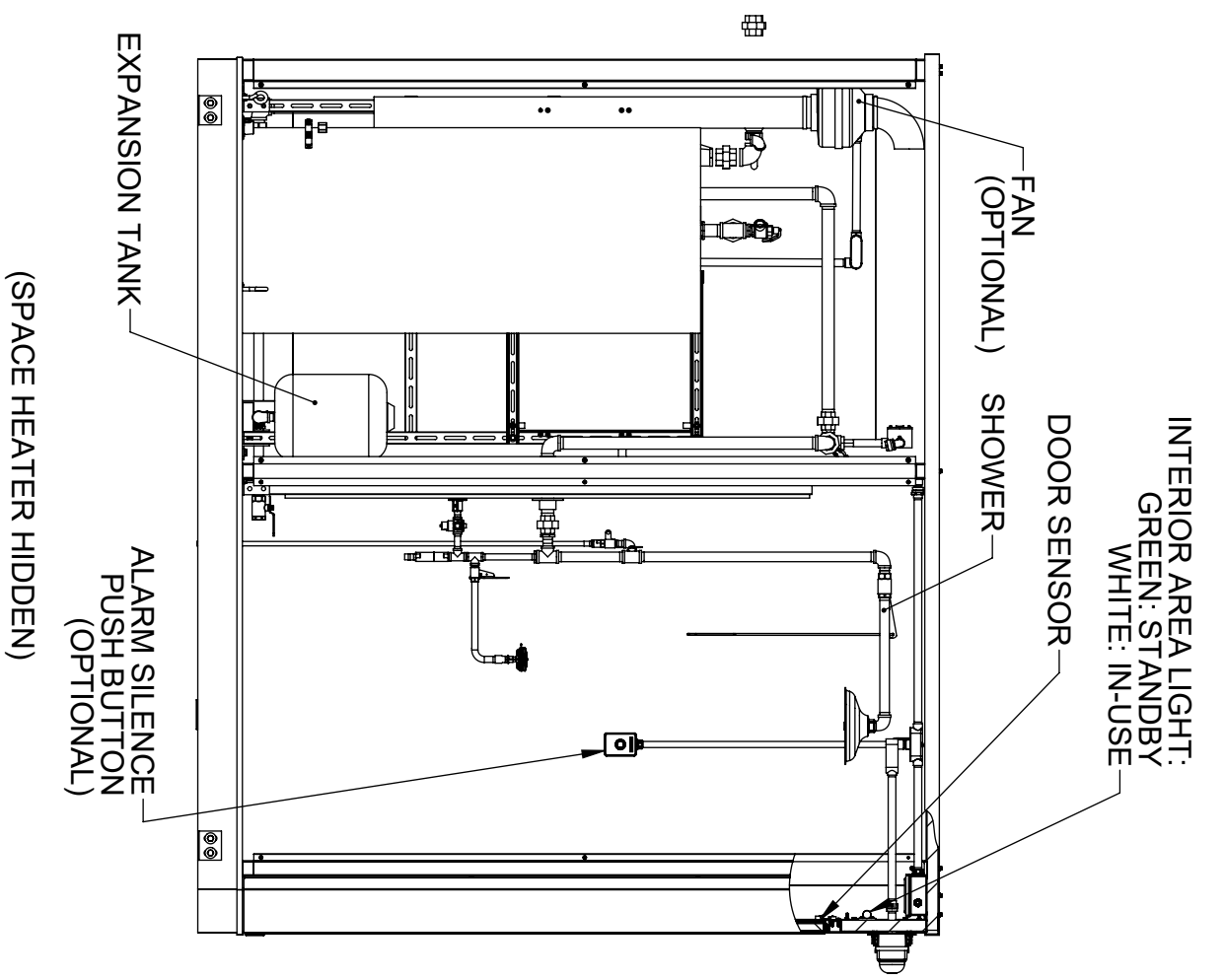
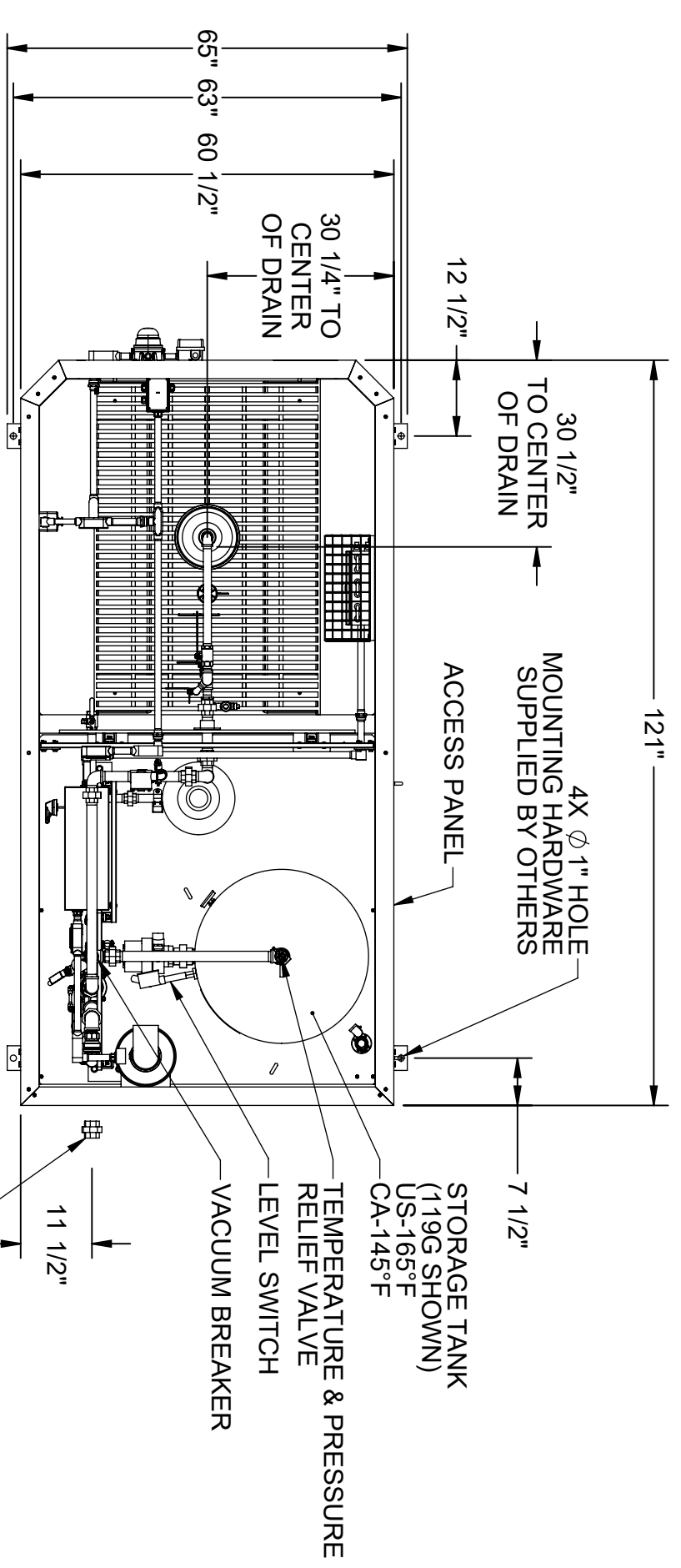
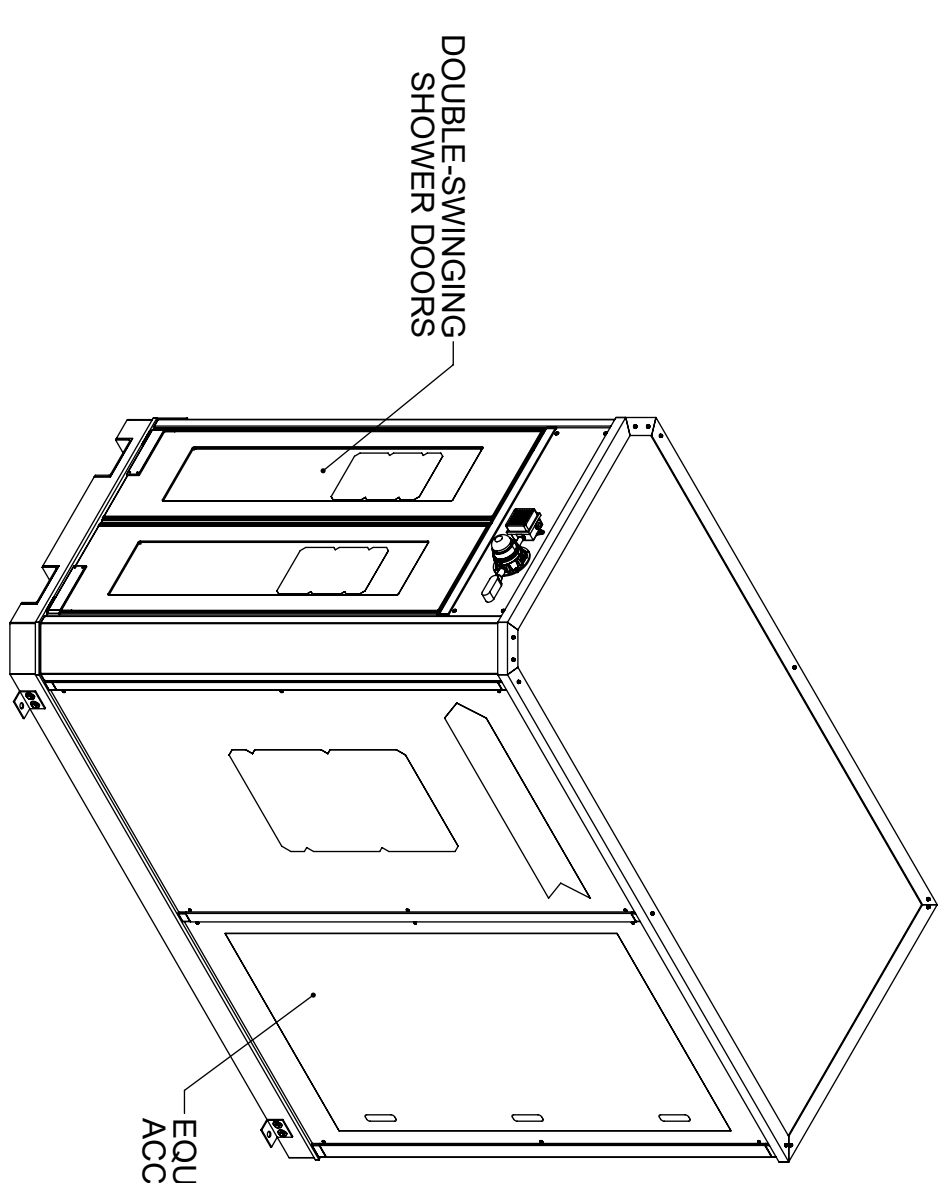
Perfect for Petro-chemical, bio-diesel, and ethanol processing facilities, and other remote outdoor locations where drench showers with very cold water would pose a health hazard to employees and a liability to employers, or in shower areas exposed to cold air and wind where showering with very cold water could discourage proper flushing time. Model is certified by CSA to meet the ANSI Z358.1 Emergency shower and eyewash equipment. For the electrical certification, the system is certified by accredited Certification Body.

For more information, visit www.hawsc.com or call (888) 640-4297.

REVISIONS			
REV	DESCRIPTION	ECON	DATE
1	INITIAL RELEASE	5589	9/16/20
2	PER ECO	5624	11/19/2021

NOTES:

1. DIMENSIONS IN INCHES
2. ALL TOLERANCES: ± 1/2"
3. ESTIMATED WEIGHT (119G TANK):
DRY: 3250 LBS
WET: 6700 LBS
4. AREA CLASSIFICATION: ORDINARY
5. AVAILABLE AMBIENT TEMPERATURE RANGES:
-50°F - 104°F, -30°F - 104°F, 32°F - 104°F, 32°F - 120°F
6. RATINGS: CONFIGURABLE WITH TYPE 4/4X JUNCTION BOX FOR INDOOR OR OUTDOOR LOCATION
7. NOT ALL FEATURES ARE STANDARD
- 8.



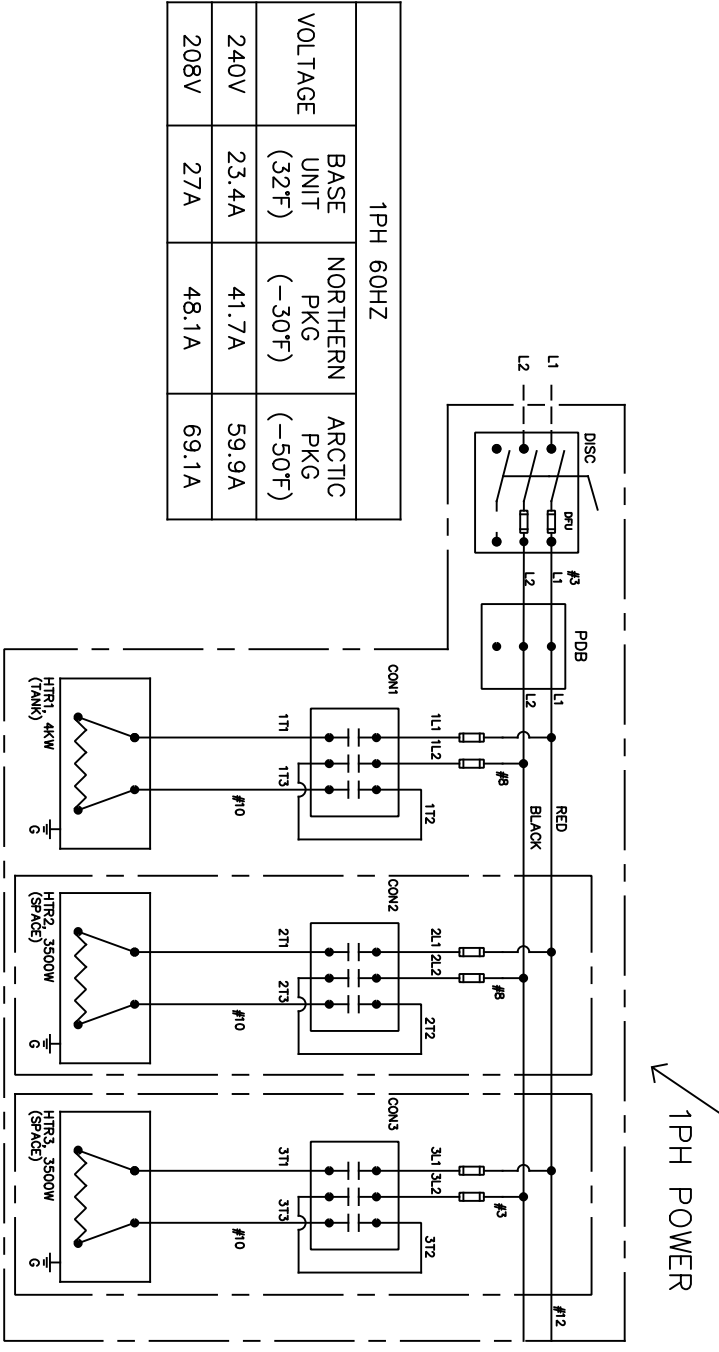
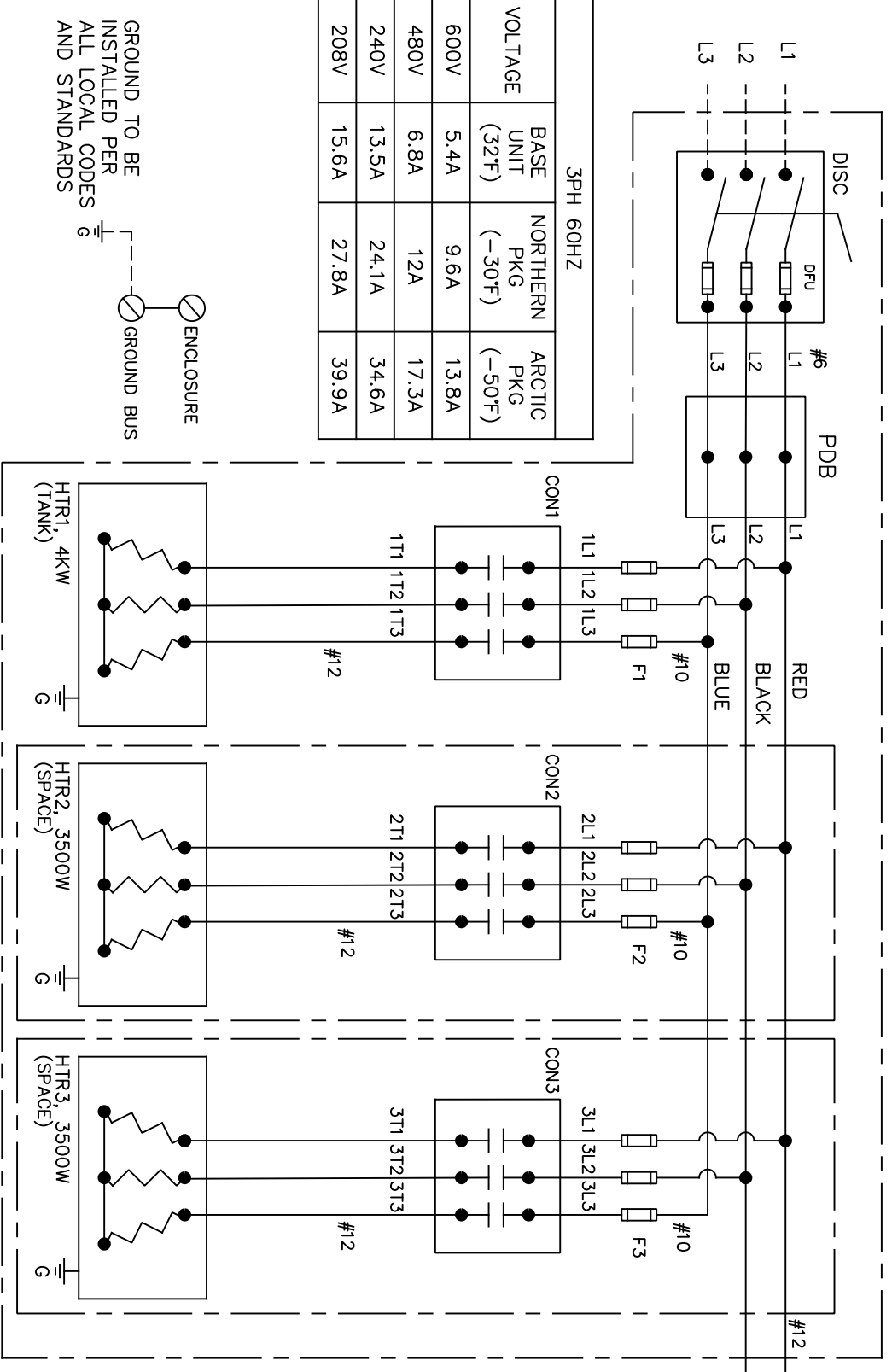
PANELS REMOVED FOR CLARITY

THE ATTACHED DESIGNS ARE CONSIDERED TRADE SECRETS AND POTENTIALLY PATENTABLE. IN ACCORDANCE WITH CONFIDENTIALITY AND NON-DISCLOSURE AGREEMENT, THESE DESIGNS IN ACTUAL OR CONCEPTUAL FORMS CANNOT BE DISCLOSED, REPRODUCED OR USED WITHOUT HAWS EXPRESS WRITTEN CONSENT.

CUSTOMER INFO/TAGS#		TITLE	
JOB NUMBER:	DP	OUTDOOR TEMPERED SHOWER AND EYEFACE WASH SYSTEM	
DRAWN BY:	07/14/21	NOTICE OF PROPRIETARY INFORMATION	
DRAWN DATE:	AM	INFORMATION CONTAINED HEREIN IS THE SOLE PROPERTY OF HAWWS CORPORATION. IT IS UNLAWFUL TO REPRODUCE, DISSEMINATE AND THE DATA DISCLOSED HEREIN OR FOR ANY OTHER PURPOSES WITHOUT THE WRITTEN PERMISSION OF HAWWS CORPORATION.	
CHECKED DATE:	11/23/21	THIRD ANGLE PROJECTION	
CHECKED BY:	IR	GA	
APPROVAL DATE:	11/30/21	SCALE SIZE	REV.
		1:32	C
		PART NO.	0580001081.D-GA
HAWWS		1455 ALPELLE LANE SPARKS, NEVADA 89431	

REV	DESCRIPTION	DATE	BY
2	PERECCO	5/24/20	IR
1			

FUSE CHART									
VOLTAGE	AMP	F1	F2	F3	PFU	CFU			
208V 1PH	60A	100A	25A	25A	6A	5.6A			
240V 1PH	60A	25A	20A	20A	5.6A	5.6A			
208V 3PH	30A	60A	15A	15A	6A	5.6A			
240V 3PH	30A	60A	12A	12A	5.6A	5.6A			
480V 3PH	30A	60A	6A	6A	2.8A	5.6A			
600V 3PH	30A	30A	5A	5A	2A	5.6A			
FUSE TYPE	JKS	JKS	KLKR	KLKR	KLDR	KLDR			

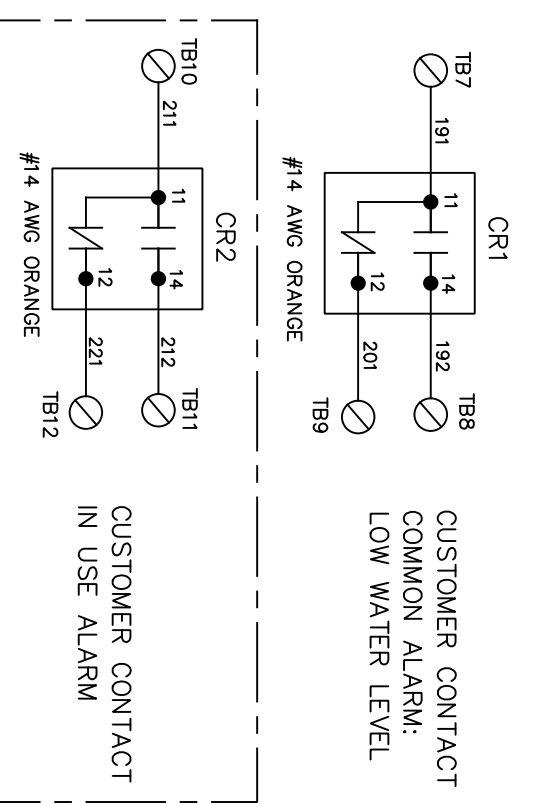


CONDUCTOR TERMINAL RATING			
DISCONNECT SIZE	CONDUCTOR SIZE (AWG)	TORQUE VALUE (IN-LBS)	TORQUE VALUE (IN-LBS)
100A	14-2/0	133-194	14-20
60A	14-4	30-35	PUSH-IN
30A	18-8	13-18	

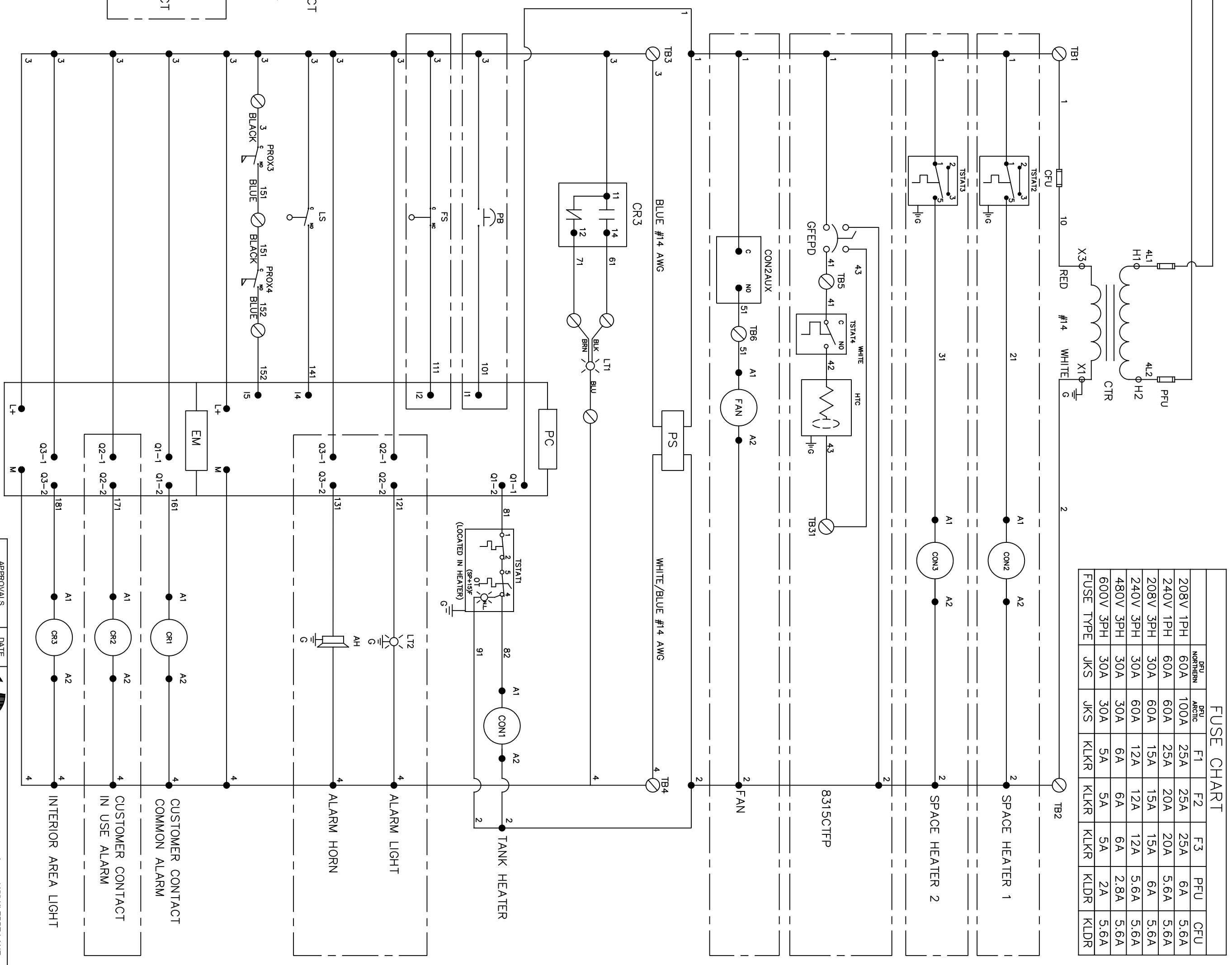
COMPONENT DESIGNATION

- AH - ALARM HORN
- CFU - TRANSFORMER CONTROL FUSE
- CONN1 - CONTACTOR 3 POLE, TANK HEATER
- CONN2 - CONTACTOR 3 POLE, SPACE HEATER
- CONN3 - CONTACTOR 3 POLE, SPACE HEATER
- CON2AUX - CONTACTOR AUXILIARY CONTACTS (FAN, INTERNAL)
- CR - CONTROL RELAY
- CTR - CONTROL POWER TRANSFORMER - 500VA @ 120V
- DISC - DISCONNECT SWITCH
- EM - EXPANSION MODULE
- F1 - TANK HEATER FUSE
- F2 - SPACE HEATER FUSE
- F3 - SPACE HEATER FUSE
- FAN - FAN (FACTORY CONFIGURABLE - INTERNAL OR VENT)
- FS - FLOW SWITCH
- GFPD - GROUND-FAULT ELECTRICAL PROTECTION DEVICE
- HTC - HEAT TRACE
- HTR1 - HEATER, TANK, 4KW
- HTR2 - HEATER, SPACE, 3.5KW
- HTR3 - HEATER, SPACE, 3.5KW
- L1 - LEVEL SWITCH
- L11 - INSIDE AREA LIGHT GREEN/WHITE
- L12 - OUTSIDE AREA LIGHT/ALARM LIGHT
- PC - PROGRAMMABLE CONTROLLER
- PDB - POWER DISTRIBUTION BLOCK
- PFU - TRANSFORMER PRIMARY FUSE
- PROX 3/4 - DOOR PROXIMITY SWITCH
- TB - TERMINAL BLOCK
- TSTAI1 - TANK HEATER THERMOSTAT
- TSTAI2 - SPACE HEATER THERMOSTAT
- TSTAI3 - SPACE HEATER THERMOSTAT
- TSTAI4 - HEAT TRACE THERMOSTAT

CONTROL RELAY CONTACT RATINGS:
6A @ 250 VAC/30VDC RESISTIVE
SWITCH POSITION SHOWN FOR ALARM CONDITION



- NOTES:
- AREA CLASSIFICATION: ORDINARY
 - AVAILABLE AMBIENT TEMPERATURE RANGES: -50°F - 104°F, -30°F - 32°F, 104°F, 32°F - 120°F
 - RATINGS: CONFIGURABLE WITH TYPE 4/4X JUNCTION BOX FOR INDOOR OR OUTDOOR LOCATION



THE ATTACHED DESIGNS ARE CONSIDERED TRADE SECRETS AND POTENTIALLY PATENTABLE. IN ACCORDANCE WITH CONFIDENTIALITY AND NON-DISCLOSURE AGREEMENT, THESE DESIGNS IN ACTUAL OR CONCEPTUAL FORMS CANNOT BE DISCLOSED, REPRODUCED OR USED WITHOUT HAWS' EXPRESS WRITTEN CONSENT.

APPROVALS	DATE	1455 KLEPPE LANE SPARKS, NEVADA, 89451
DRAWN	08/18/20	
CHECKED	11/23/21	
APPROVED		
JOB NUMBER	11/90/21	
CUSTOMER INFO TAG #:		
<p>THIRD ANGLE PROJECTION</p>		
<p>SCALE SIZE PART NUMBER 0580001081.D-EL</p>		

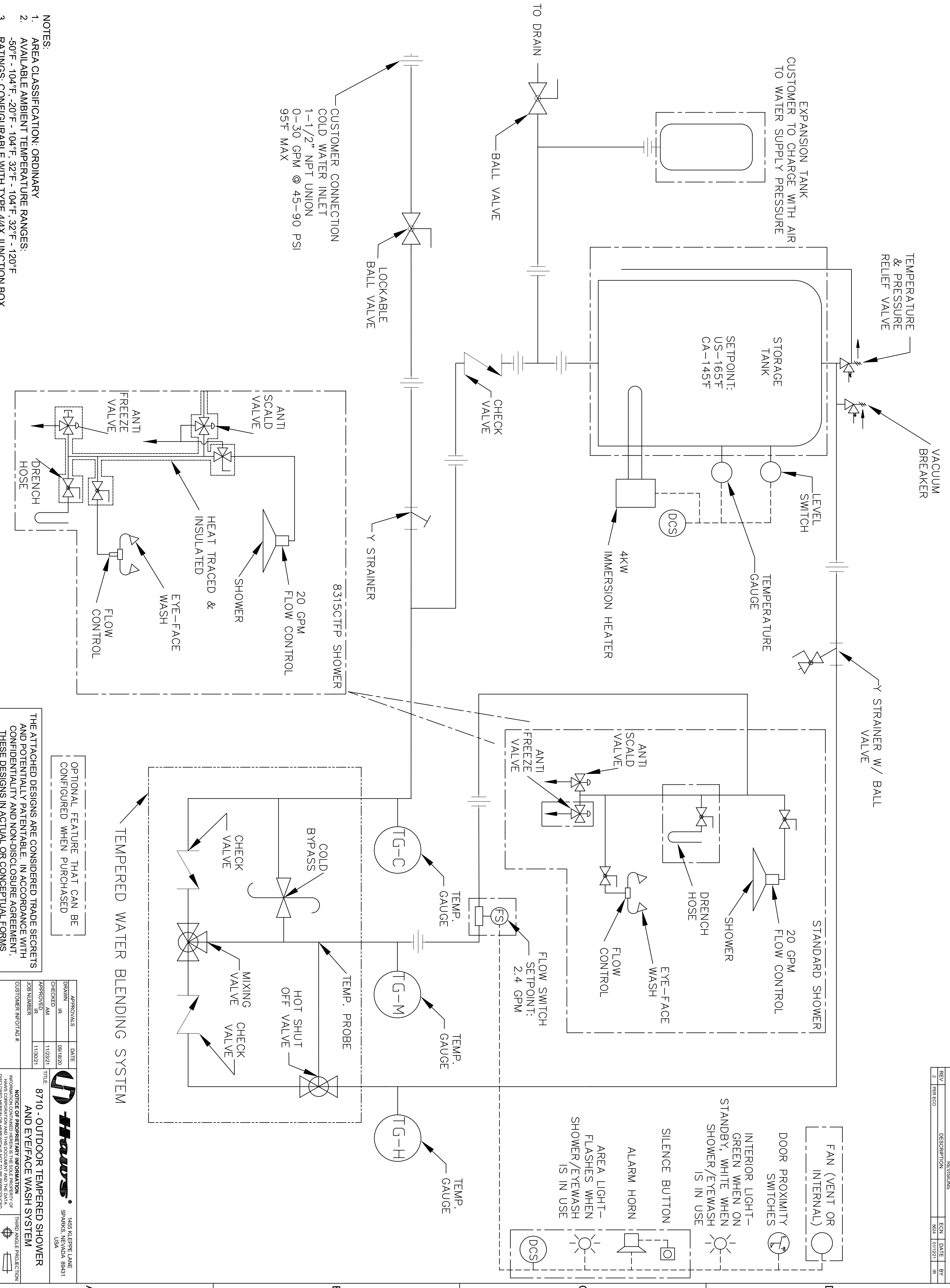
REV	DESCRIPTION	ENR	DATE	BY
2	PER ECO	5624	01/17/21	IR

4

3

2

1



CUSTOMER CONNECTION
COLD WATER INLET
1-1/2" NPT UNION
0-30 GPM @ 45-90 PSI
95°F MAX

SETPOINT:
US-165°F
CA-145°F

8315CTFP SHOWER

STANDARD SHOWER

TEMPERED WATER BLENDING SYSTEM

OPTIONAL FEATURE THAT CAN BE
CONFIGURED WHEN PURCHASED

- NOTES:
1. AREA CLASSIFICATION: ORDINARY
 2. AVAILABLE AMBIENT TEMPERATURE RANGES:
-50°F - 104°F, -20°F - 104°F, 32°F - 104°F, 32°F - 120°F
 3. RATINGS: CONFIGURABLE WITH TYPE 4/4X JUNCTION BOX
FOR INDOOR OR OUTDOOR LOCATION

THE ATTACHED DESIGNS ARE CONSIDERED TRADE SECRETS
AND POTENTIALLY PATENTABLE. IN ACCORDANCE WITH
CONFIDENTIALITY AND NON-DISCLOSURE AGREEMENT,
THESE DESIGNS IN ACTUAL OR CONCEPTUAL FORMS
CANNOT BE DISCLOSED, REPRODUCED OR USED WITHOUT
HAWS' EXPRESS WRITTEN CONSENT.

APPROVALS	DATE	TITLE	SCALE
DRAWN IR	08/18/20	8710 - OUTDOOR TEMPERED SHOWER AND EYE/FACE WASH SYSTEM	N/A
CHECKED AM	11/23/21		C
APPROVED AM	11/23/21		
CUSTOMER INFO TAG #:			
JOB NUMBER	11/23/21		
<p>NOTICE OF PROPRIETARY INFORMATION: THIS DOCUMENT IS THE PROPERTY OF HAWS CORPORATION AND THE DATA DISCLOSED HEREIN OR HEREWITH IS NOT TO BE REPRODUCED, USED, OR DISCLOSED IN WHOLE OR IN PART TO ANYONE WITHOUT THE WRITTEN PERMISSION OF HAWS CORPORATION.</p>			
1455 KLEPPE LANE SPARKS, NEVADA, 89431 USA		THIRD ANGLE PROJECTION	SH 1 ORV 2
PAID		0560001081.D-PID	

2021 Haws Corporation - All Rights Reserved. HAWS® and other trademarks used in these materials are the exclusive property of Haws Corporation.

4

3

2

1