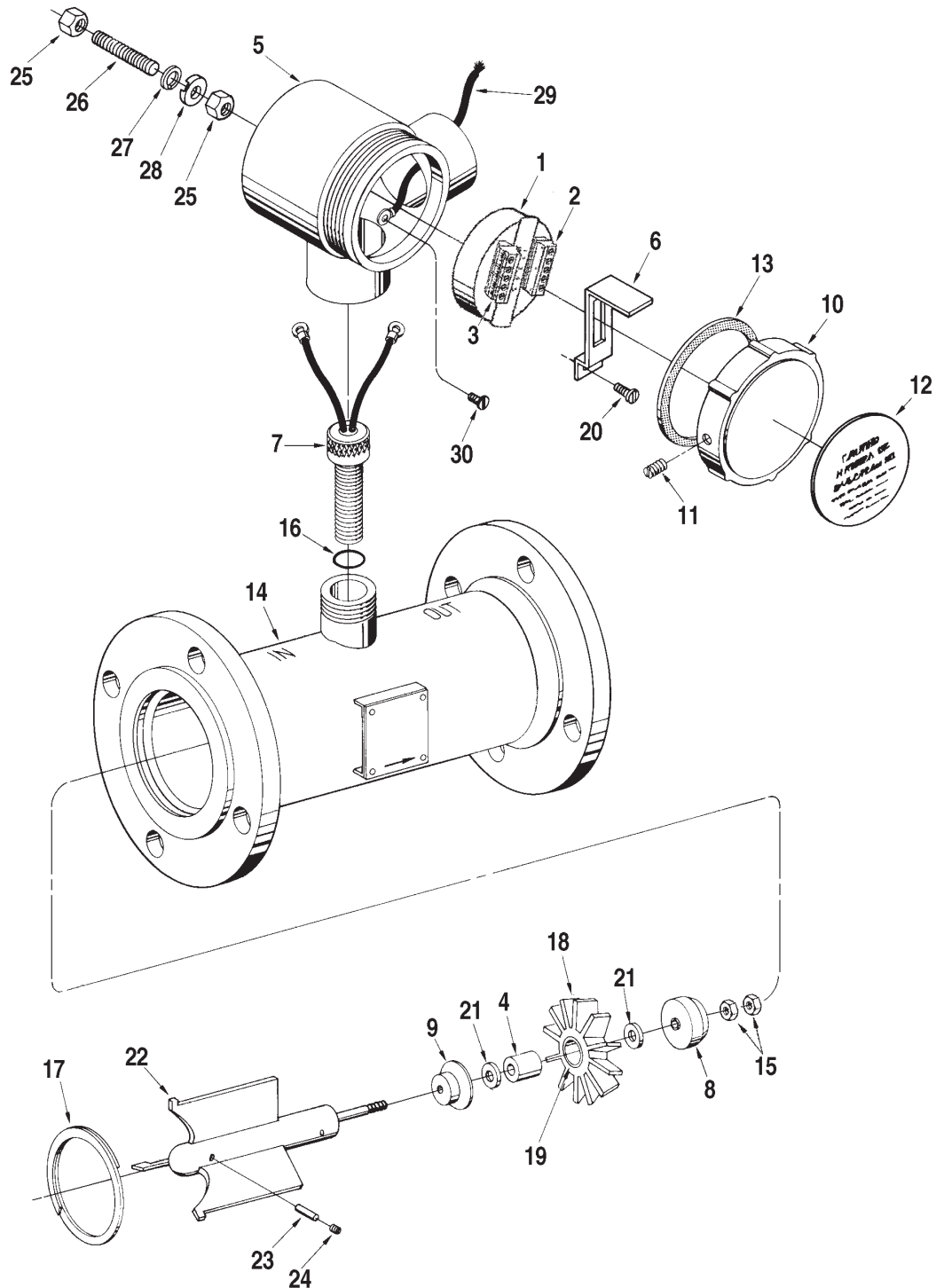


Meter, Turbine, 3 Inch, Guardsman™ LJ-H, Model K2ED and LJ-V Model K2PD Series

Bulletin PO02008 Issue/Rev. 0.0 (09/13)



Item	Description	Qty.	Part Number
1	+ Preamplifier:		
	PA-6, 12 to 24 Vdc.....	#	230663-101
2	Connector, (1-5).....	#	645030-452
3	Connector, (6-10).....	#	645030-453
4	Bearing, Journal:		
	Horizontal.....	1	540305-208
	Vertical.....	1	540305-218
5	Box, Conduit.....	#	543256-200
6	Clip, Retaining.....	#	543192-203
7	+ Coil, Pickup:		
	-100°F to 225°F.....	#	644327-401
	-100°F to 400°F (High Temperature Version).....	#	641512-401
	Mating Connector with Leads (High Temperature Version).....	#	540244-101
8	Cone, Downstream:		
	Horizontal.....	1	543340-210
	Vertical.....	1	544783-201
9	Cone, Upstream:		
	Horizontal.....	1	543339-201
	Vertical.....	1	544782-201
10	Cover, Conduit Box::		
	UL/CSA Approvals.....	#	543196-100
	ATEX – Manufactured in the U.S.A.....	#	544057-101
	ATEX – Manufactured in Germany.....	#	544057-102
11	@2 Screw, Set, #6-32 x 1/4".....	#	643243-403
12	Label:		
	UL/CSA Approvals.....	#	543195-200
	ATEX – Manufactured in the U.S.A.....	#	544056-201
	ATEX – Manufactured in Germany.....	#	544056-202
13	Gasket, Cover.....	#	013403-200
14	Housing.....	1	See Note 1
15	Nut, #10-32.....	2	640704-001
16	O-Ring, (Carbon Steel Housing Only).....	#	641069-474
17	+ Ring, Retaining.....	1	644420-401
18	+ Rotor Assembly, 430 Stainless Steel:		
	Horizontal.....	1	540292-190
	Vertical.....	1	544780-190
19	Rotor Bearing.....	1	540296-201
20	Screw, #10-32 x 1/4".....	#	009544-401
21	+ Washer, Thrust:		
	Horizontal.....	2	543643-202
	Vertical.....	2	543643-204
22	Stator Assembly.....	1	543856-103
23	Pin, Dowel, 1/8 x 3/8".....	1	644541-401
24	@2 Screw, #10-32 x 3/8", Set.....	1	645416-401
25	Nut, Hex, 1/4"-20 (ATEX version only).....	#	060060-001
26	Stud (ATEX version only).....	#	550773-001
27	Washer, 1/4" Lock (ATEX version only).....	#	006621-001
28	Washer, Inverted (ATEX version only).....	#	550770-001
29	Wire, Ground (UL/CSA version only).....	#	544058-101
30	Screw, #10-32 x 1/4" (UL/CSA version only).....	#	006110-002

Internal Parts Kit

@3	Unidirectional – (Standard Linearity) – Horizontal.....	543849-101
@3	Unidirectional – (Standard Linearity) – Vertical.....	544803-101
@3	Unidirectional – (Premium Linearity) – Horizontal.....	543849-201

Item	Description	Qty.	Part Number						
+	Recommended stock.								
#	Order quantity required.								
R	Indicates change since last revision.								
	Note 1: Consult Factory, 814 898-5000, providing model and serial numbers and advise:								
	<table> <tr> <td data-bbox="310 336 565 357">1. Uni or Bidirectional</td> <td data-bbox="610 336 927 357">4. Flange Class (Pressure)</td> </tr> <tr> <td data-bbox="310 365 540 386">2. Housing material</td> <td data-bbox="610 365 1000 386">5. Number of Pickup Coil Bosses</td> </tr> <tr> <td data-bbox="310 394 524 415">3. Flange Material</td> <td data-bbox="610 394 818 415">6. Type of Flange</td> </tr> </table>	1. Uni or Bidirectional	4. Flange Class (Pressure)	2. Housing material	5. Number of Pickup Coil Bosses	3. Flange Material	6. Type of Flange		
1. Uni or Bidirectional	4. Flange Class (Pressure)								
2. Housing material	5. Number of Pickup Coil Bosses								
3. Flange Material	6. Type of Flange								
@2	Note 2: Apply a small amount of Loctite (Part No. 643917-401) to set screw before installing.								
@3	Note 3: If meter is used with a Strate Plate, when ordering Internal Parts Kit, use the prefix of 'FC' to the part number for the Internal Parts Kit required.								

P0580.58X has been made obsolete and replaced by publication number PO02008 (September 2013).

The specifications contained herein are subject to change without notice and any user of said specifications should verify from the manufacturer that the specifications are currently in effect. Otherwise, the manufacturer assumes no responsibility for the use of specifications which may have been changed and are no longer in effect.

TechnipFMC.com

© TechnipFMC plc. 2020 All rights reserved. PO02008 Issue/Rev. 0.0 (09/13)

TechnipFMC
13460 Lockwood Road
Building S01
Houston, Texas 77044 USA
P:+1 281.591.4000

USA Operation
1602 Wagner Avenue
Erie, Pennsylvania 16510 USA
P:+1 814.898.5000

Germany Operation
Smith Meter GmbH
Regentstrasse 1
25474 Ellerbek, Germany
P:+49 4101 304.0