

FEATURES

- For gas pilot and gas burner control on industrial atmospheric and forced draught burners, also used in kilns and furnaces in process industries
- All valves have been type tested to EN 161 and satisfy the Regulation (EU) 2016/426 on gas appliances
Certificate of conformity BSI: No. CE 688365
- All valves are for class A group 2 service and cover gas family 1, 2 and 3
- All valves are suitable to withstand 150 mbar back pressure
- Direct lift valves with resilient soft seating for tight shut-off

GENERAL

Differential pressure See «SPECIFICATIONS» [1 bar =100 kPa]
Response time 1 s max.

fluids (*)	temperature range (TS)	seal materials (*)
combustible gas	0°C to +60°C	NBR (nitrile)



GENERAL

MATERIALS IN CONTACT WITH FLUID

(*) Ensure that the compatibility of the fluids in contact with the materials is verified

Body	Brass
Shading coil	Copper
Core tube	Stainless steel, AISI 305
Core and plugnut	Stainless steel, AISI 430F
Springs	Stainless steel, AISI 302
Seal	NBR
Disc	NBR

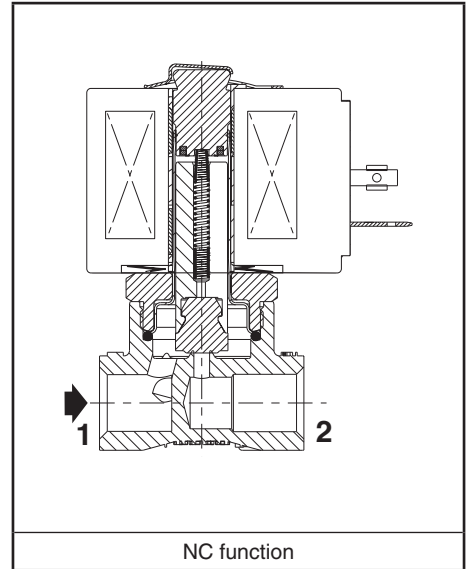
ELECTRICAL CHARACTERISTICS

Coil insulation class	F
Connector	Spade plug (cable Ø 6-10 mm)
Connector specification	ISO 4400 / EN 175301-803, form A
Electrical safety	IEC 335
Electrical enclosure protection	Moulded IP65 (EN 60529)
Standard voltages	AC (~) : 24V - 48V - 115V - 230V/50 Hz
(Other voltages and 60 Hz on request)	

operator ambient temperature range (TS)	power ratings			replacement coil
	inrush	holding	-	
(°C)	(VA)	(VA)	(W)	-
0 to +60	24	16	8,1	-
				230 V/50 Hz
				515488-059

OPTIONS

Connector with visual indication and peak voltage suppression or with cable length of 2 m (www.asco.com)



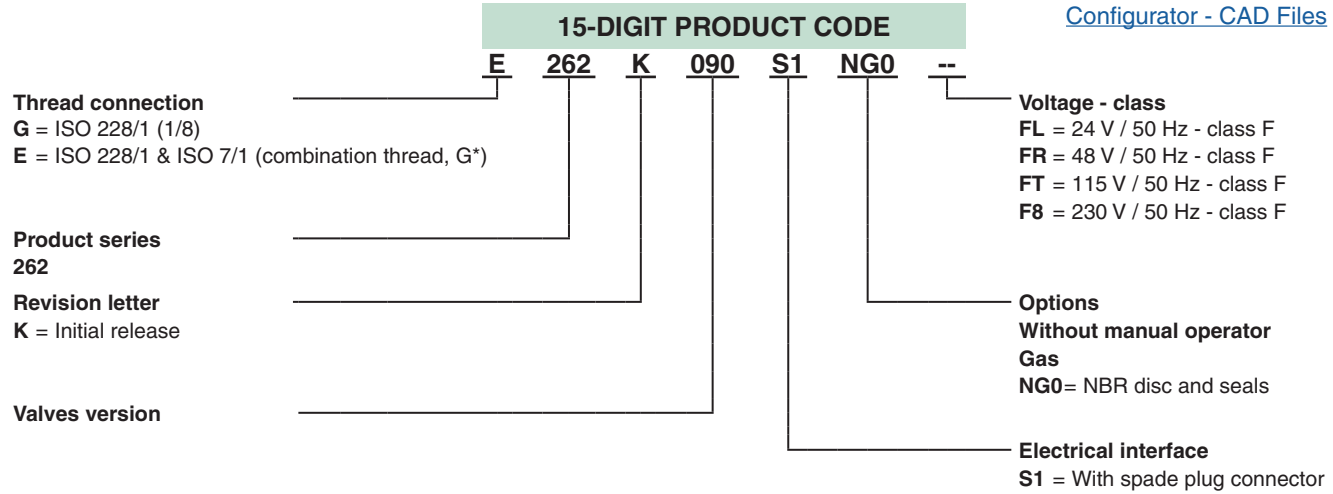
NC function

SPECIFICATIONS

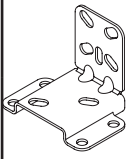
										15-DIGIT PRODUCT CODE						
pipe size	orifice size (mm)	flow (m³/h)(l/min)			operating pressure differential (bar)		power coil (W)	thread type	dimensions / type (1)	brass	voltage code					
					max. (PS)	gas (*)					24 V/50 Hz	48 V/50 Hz	115 V/50 Hz	230 V/50 Hz		
					min.						~	~				
WITHOUT MANUAL OPERATOR																
NC - Normally closed																
1/8	3,2	0,3	5	0	2,76	8,1	G	01	G262K002S1NG0		FL	FR	FT	F8	-	-
1/4	7,1	0,76	12,7	0	2,1	8,1	G*	01	E262K090S1NG0							

(1) For dimensions, see drawing(s) for each construction type on the following page(s).

(*) Ensure that the compatibility of the fluids in contact with the materials is verified.



		SPARE PARTS KITS CODE (*)	
		AC (~)	
			NBR
	G262K002S1NG0	M200001	
	E262K090S1NG0		NG0

		ACCESSORIES CODE
	Mounting bracket Steel version (AISI 1010 / 1.1121)	M200094A00
	Mounting bracket Stainless steel version (AISI 304 / 1.4301)	M200095A00

INSTALLATION

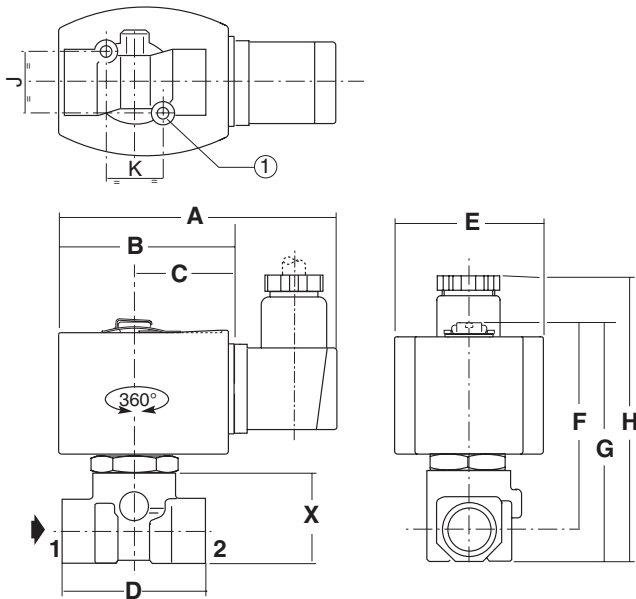
- The solenoid valves can be mounted in any position without affecting operation
- Solenoid valves have 2 mounting holes in body
- Thread connection “E” applicable for 1/4 have standard thread according to ISO 228/1 and ISO 7/1. Thread connection “G” applicable for 1/8, have standard thread according to ISO 228/1
- Installation/maintenance instructions are included with each valve

DIMENSIONS (mm), WEIGHT (kg)

[Configurator - CAD Files](#)



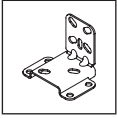
TYPE 01
 Electrical interface “S1”
 Epoxy moulded
 IEC 335 / ISO 4400
 IP65



type	pipe size	A	B	C	D	E	F	G	H	X	weight ⁽¹⁾
01	1/8	88	51	30	30	43	62	71	88	26	0,30
	1/4	88	51	30	40	43	65	75	92	30	0,42

- ① 2 mounting holes:
 M5 dia., depth 6,5 mm (1/8)
 M5 dia., depth 7,5 mm (1/4)

⁽¹⁾ Incl. coil(s) and connector(s).



Mounting bracket
Steel or stainless steel

M200094A00 / M200095A00

