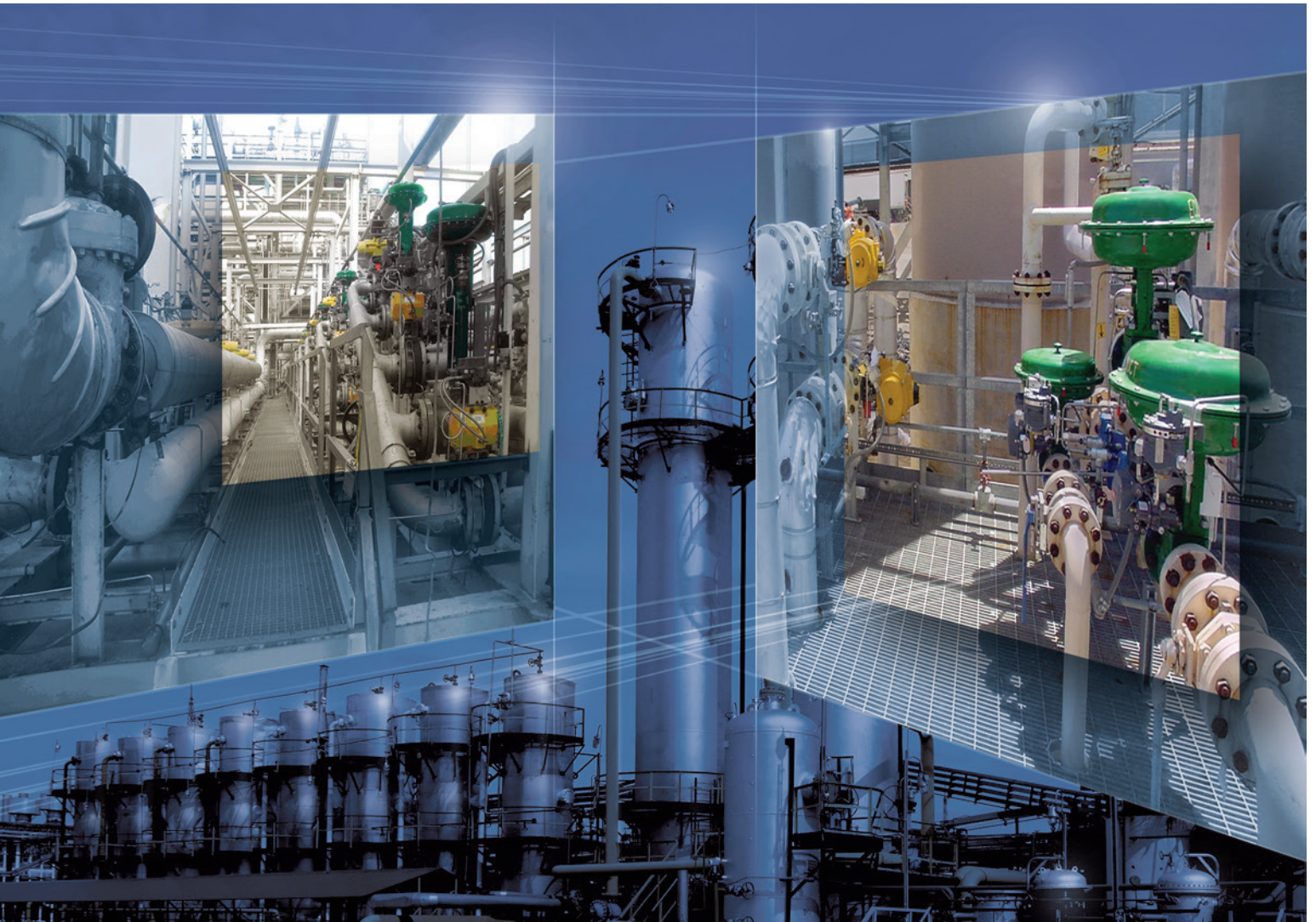


For Nonstop Operation of High-Cycle Applications

Use Fisher® Control Valve Assemblies





For Nonstop Operation of High-Cycle Operations, Use Fisher Control Valve Assemblies

High-cycle applications such as pressure swing adsorption and molecular sieve adsorption are very abusive on control valve assemblies. Stroking frequency exceeds 60,000 cycles per year and tight shutoff to Class V or Class VI is required to maintain industrial gas purity and efficiency.

Proper selection of control valve assemblies is imperative. Fisher® control valve assemblies typically consist of the control valve, an actuator, and a digital valve controller.

Incorporating Fisher control valve assemblies from Emerson into your high-cycle applications can have significant benefits.

Improve Reliability – End users have increased turnaround schedules to five years using Fisher control valve assemblies. Their long-term reliability is demonstrated by rigorous testing to more than 1,000,000 cycles and they are licenser accepted.

Improve Uptime – When you use Fisher control valve assemblies you can expect to see improvements in uptime, as they are engineered to meet high-cycle application requirements. The durability of their mechanical moving parts and soft parts is the key to long periods of operation.

Improve Purity – Higher quantities of on-specification industrial gas can be produced using Fisher control valve assemblies that maintain tight shutoff throughout their lifetime.

In addition to providing top quality, expertly engineered control valve assemblies, Emerson offers application assistance, responsive replacement parts service, and training.



Revamping Control Valves and Adding FIELDVUE Instruments Saved a Refinery and its PSA Unit \$2,000,000 Per Year

Control Valve Maintenance Requirements Reduced in PSA Units by Using Fisher Valves

Read how Emerson's Fisher control valve assemblies have helped customers with their high-cycle applications. These proven results flyers provide solid, quantifiable results from real customers.

Revamping Valves, Adding FIELDVUE® Instruments Saves a Refinery and its PSA Unit \$2M Per Year

RESULTS

- Fisher® valves provide tight shutoff, high-cycle stroking, and diagnostic capabilities.
- PSA unit increases its hydrogen recovery rate by ~20%.

APPLICATION
Pressure Swing Adsorption (PSA) skid for hydrogen purification.

CUSTOMER
Refinery in Texas

CHALLENGE
Many industrial processes require high-quality hydrogen as a feed stream. Plants can either produce their own H₂ using steam reforming or molecular-sieving processes, or they can recover hydrogen from "waste" process streams. This refinery chose the latter for hydrogen purification. The unit provides enhanced vapor processing and product recovery of a feed for other parts of the refinery.

The PSA process involves the adsorption of impurities from a hydrogen stream. The PSA process involves the adsorption of impurities from the PSA feed gas into a bed of adsorbent material. The PSA process involves the adsorption of impurities from the PSA feed gas into a bed of adsorbent material. The PSA process involves the adsorption of impurities from the PSA feed gas into a bed of adsorbent material.

Valve Maintenance Requirements Reduced in PSA Units by Using Fisher® Valves

RESULTS

- Scheduled valve maintenance was extended from 13 months to more than 24 months with the Fisher valves, saving over \$1,000,000.
- Throttling valve actuator repair was reduced from three to four times per year for less than once every two years with the Fisher valves.

APPLICATION
Control of hydrogen within a PSA unit.

CUSTOMER
Major oil and gas producer and refiner.

CHALLENGE
Refiners use PSA processes using adsorbent units primarily to deliver high-purity hydrogen to the refinery. The PSA units are controlled by high-cycle stroking valves. PSA stroking valves cycle about every 10 to 15 minutes with an annual stroking rate of 100,000 to 200,000 cycles. Beyond flow condition valves, tight shutoff is important to maintain PSA unit efficiency. Valves need to be accurate and reliable over their entire life cycle.

The OEM control valve manufacturer recommended inspection and maintenance every 100,000 cycles or approximately 13 months of operation (one year for the valves). The number of change-outs and repairs was high. The customer used Fisher valves and a PSA skid with 30 valves. The customer replaced 10 valves in approximately 100,000 cycles. The customer replaced 10 valves in approximately 100,000 cycles. The customer replaced 10 valves in approximately 100,000 cycles.

Additionally, the main throttling valve needed repair three to four times per year to replace the O-ring in its actuator piston and sliding block assembly. The valve operated every two months and cycled with high frequency.

The highest cost of maintenance for valves is personnel to work a header all day long.

A post-back analysis indicated that a control valve capable of 100,000 cycles per year without a maintenance visit would have a payback of 3.2 years. This helped to determine to use 2" Fisher valves.

Applications Discussion

Pressure Swing Adsorption (PSA)

PSA is a process that involves separating impurities from a feedgas mixture to produce a single product gas such as hydrogen, oxygen, or nitrogen.

Feedgas cycles through fixed-bed adsorbers, which are surrounded by control valves that use forward and reverse flow to rapidly switch gases between parallel vessels. Within the fixed-bed adsorber, impurities are removed from the product gas at high pressure and then rejected as the system pressure “swings” to a lower pressure. The ability to completely adsorb impurities allows the production of high purity (99.99%) end product.

The challenge of PSA is that control valve assemblies are expected to cycle as often as every thirty seconds and provide tight, bi-directional shutoff. Common failures of control valve assemblies in PSA units include:

- Stem or shaft breakage due to deficient pinning design
- Poor valve-actuator-positioner linkages leading to multiple mechanical failures in a high-cycle environment
- Loss of shutoff

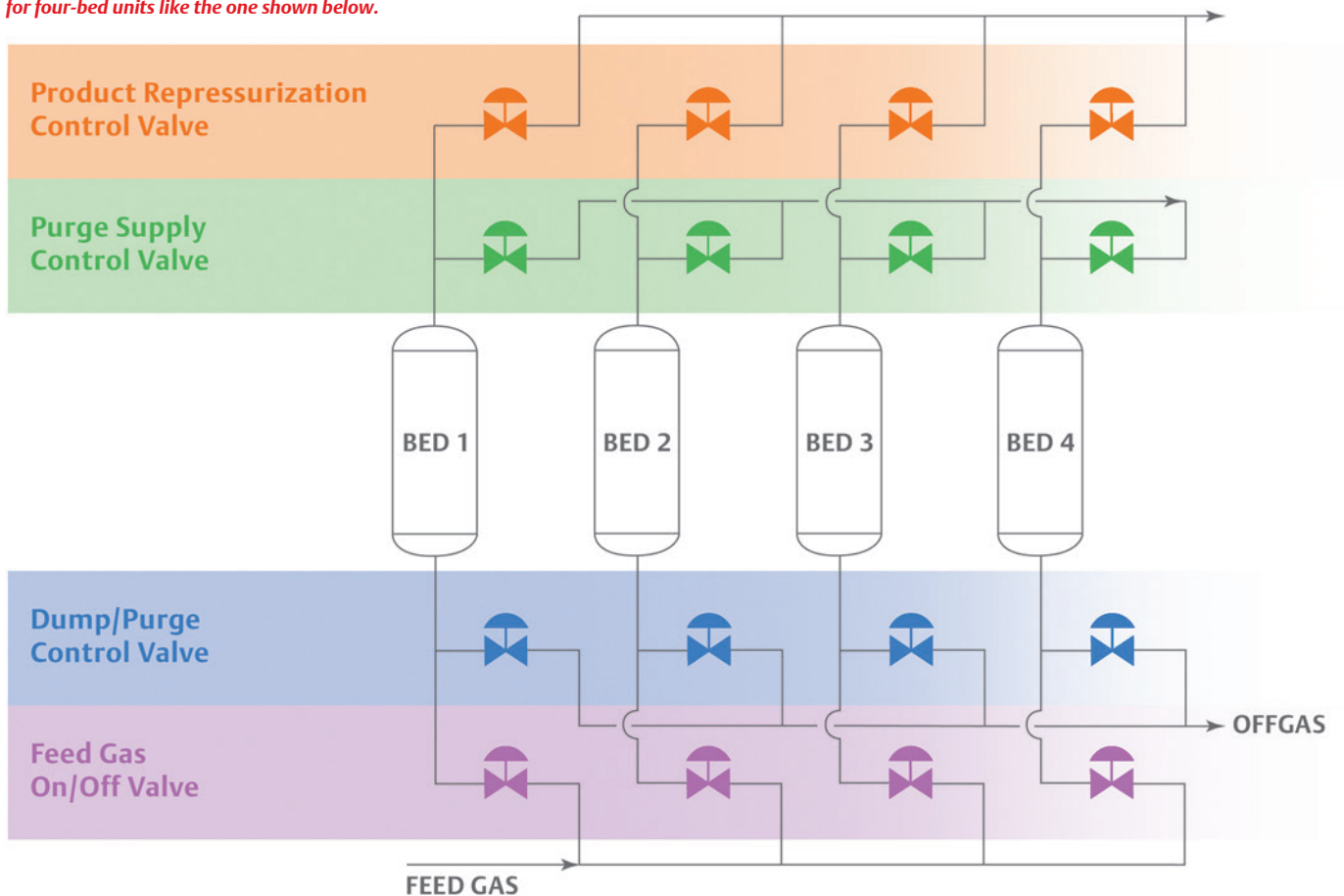
Your PSA units can achieve longer lifecycles with Fisher control valve assemblies. Fisher control valve assemblies for PSA applications are tested to one million cycles to meet Emerson’s high-cycle quality standard.

The high-performance, linkage-less feedback system in FIELDVUE™ digital valve controllers has no wearing parts so cycle life is maximized. The feedback system eliminates physical contact between the valve stem and the digital valve controller. It is completely non-contact and does not rely on linkages, eliminating the most common control valve failure mode. Scan the QR code to learn more about the linkage-less feedback system in the DVC6200 instrument.



PSA Unit

The PSA unit is a severe service application for control valve assemblies. High cycling action and tight shutoff is required. Annual cycle service exceeds 60,000 cycles for four-bed units like the one shown below.



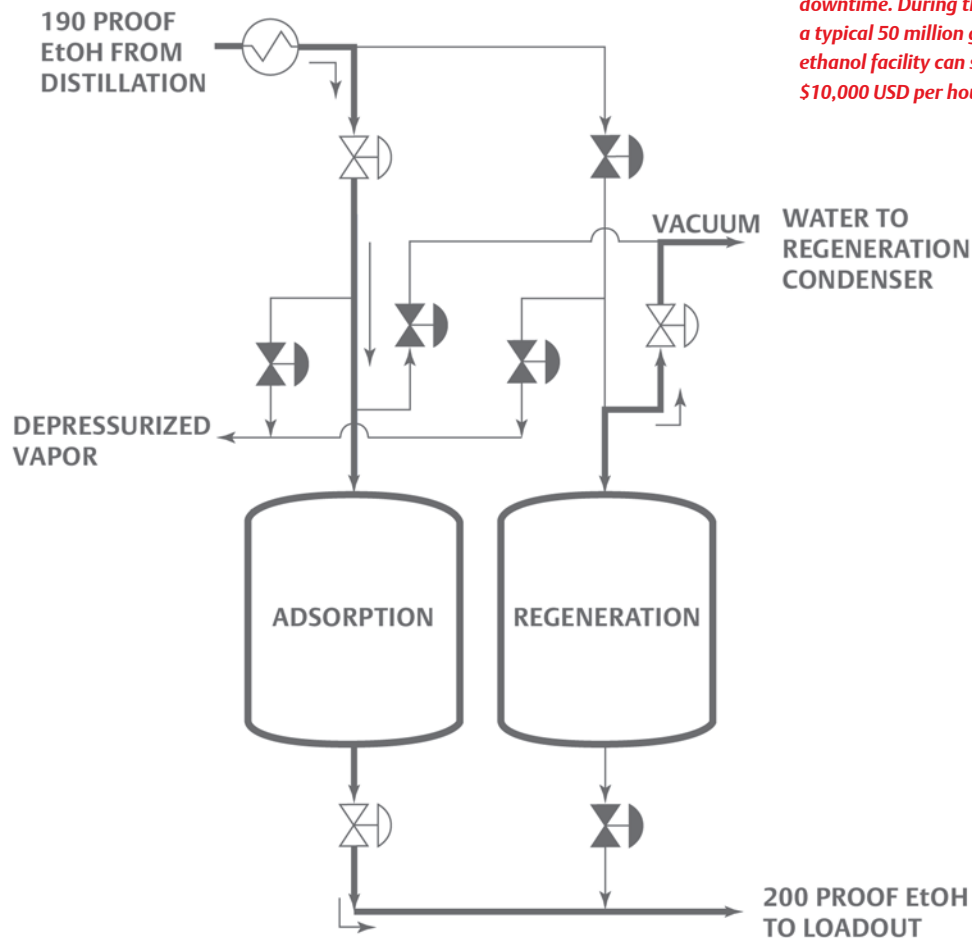
Molecular Sieve Adsorption

With the competitive environment in the ethanol industry constantly increasing, now is the time to focus on improving overall plant efficiency and reliability. Regardless of plant scale, the molecular sieve adsorption application presents a significant opportunity for such improvements.

In surveying ethanol producers from around the world, some of the most commonly reported maintenance problems related to the molecular sieve adsorption unit include:

- Selection of oversized butterfly valves leading to poor control and reduced cycle life
- Accelerated bearing wear, often seen after only a few months
- Poor valve-actuator-positioner linkages leading to multiple mechanical failures in a high-cycle environment
- Poor performance from low-quality valve positioners in both the adsorption and regeneration cycles

Continued enhancement of this essential component of the ethanol process is critical to achieving plant output and revenue targets. Fisher control valve assemblies for molecular sieve adsorption applications are tested to one million cycles to meet Emerson's high-cycle quality standard.



Molecular Sieve Adsorption

Improper selection of control valve assemblies can lead to unscheduled downtime. During this downtime, a typical 50 million gallon-per-year ethanol facility can suffer over \$10,000 USD per hour in lost revenue.

Improve Reliability

Licensors Accepted

Emerson offers a breadth of tested and proven-reliable Fisher control valve assemblies to help extend the lifecycle of high-cycle applications and maintain purity. Fisher control valve assemblies are accepted by several of the world's leading licensors for use in their high-cycle applications because they were validated through lab testing and field trials.

Fisher GX Control Valve Assembly

- Testing Minimum: 1,000,000 Cycles
- Fisher GX actuator
- Valve Body Size Range:
NPS ½, ¾, 1, 1½, 2, 3, 4, and 6
DN 15, 20, 25, 40, 50, 80, 100, and 150
- Pressure Rating:
CL150, 300 per ASME B16.34
PN 10, 16, 25, 40 per EN 1092-1
- Explosion-proof, intrinsically safe, non-incendive applications with integral 4–20 mA position feedback: FIELDVUE DVC6200 instrument
- Intrinsically safe, non-incendive applications with integral 4–20 mA position feedback: FIELDVUE DVC2000 instrument



Fisher easy-e™ Control Valve Assembly

- Testing Minimum: 1,000,000 Cycles
- Fisher 657 or 667 actuator
- Valve Body Size Range:
NPS ½–36
DN 25 to 300x200
- Pressure Rating:
To ANSI Class 900
To DIN PN 160
- Explosion-proof, intrinsically safe, non-incendive applications with integral 4–20 mA position feedback: FIELDVUE DVC6200 instrument
- Intrinsically safe, non-incendive applications with integral 4–20 mA position feedback: FIELDVUE DVC2000 instrument



Fisher 8580 Control Valve with 2052 Actuator

- Testing Minimum: 1,000,000 Cycles
- Valve Body Size Range:
NPS 2, 3, 4, 6, 8, 10, and 12
DN 50, 80, 100, 150, 200, 250, and 300
- Pressure Rating:
CL150, 300 per ASME B16.34
- Explosion-proof, intrinsically safe, non-incendive applications with integral 4–20 mA position feedback: FIELDVUE DVC6200 instrument
- Intrinsically safe, non-incendive applications with integral 4–20 mA position feedback: FIELDVUE DVC2000 instrument



Fisher 8580 Control Valve with FieldQ™ Actuator

- Testing Minimum: 1,000,000 Cycles
- Valve Body Size Range:
NPS 2, 3, 4, 6, 8, 10, and 12
DN 50, 80, 100, 150, 200, 250, and 300
- Pressure Rating:
CL150, 300 per ASME B16.34
- Explosion-proof applications with integral 4–20 mA position feedback: TopWorx™ DXP valve controller
- Explosion-proof, intrinsically safe, non-incendive applications with integral 4–20 mA position feedback: FIELDVUE DVC6200 instrument
- Intrinsically safe, non-incendive applications with integral 4–20 mA position feedback: FIELDVUE DVC2000 instrument



Validated Through Testing

The Emerson PSA testing facility was designed to represent the PSA process as accurately as possible. A large volume tank (see ①) provides process pressure in high capacity to all of the control valve assemblies currently being tested. Instrument air is filtered and dried using desiccant, and is then regulated to the appropriate pressure for each control valve assembly.

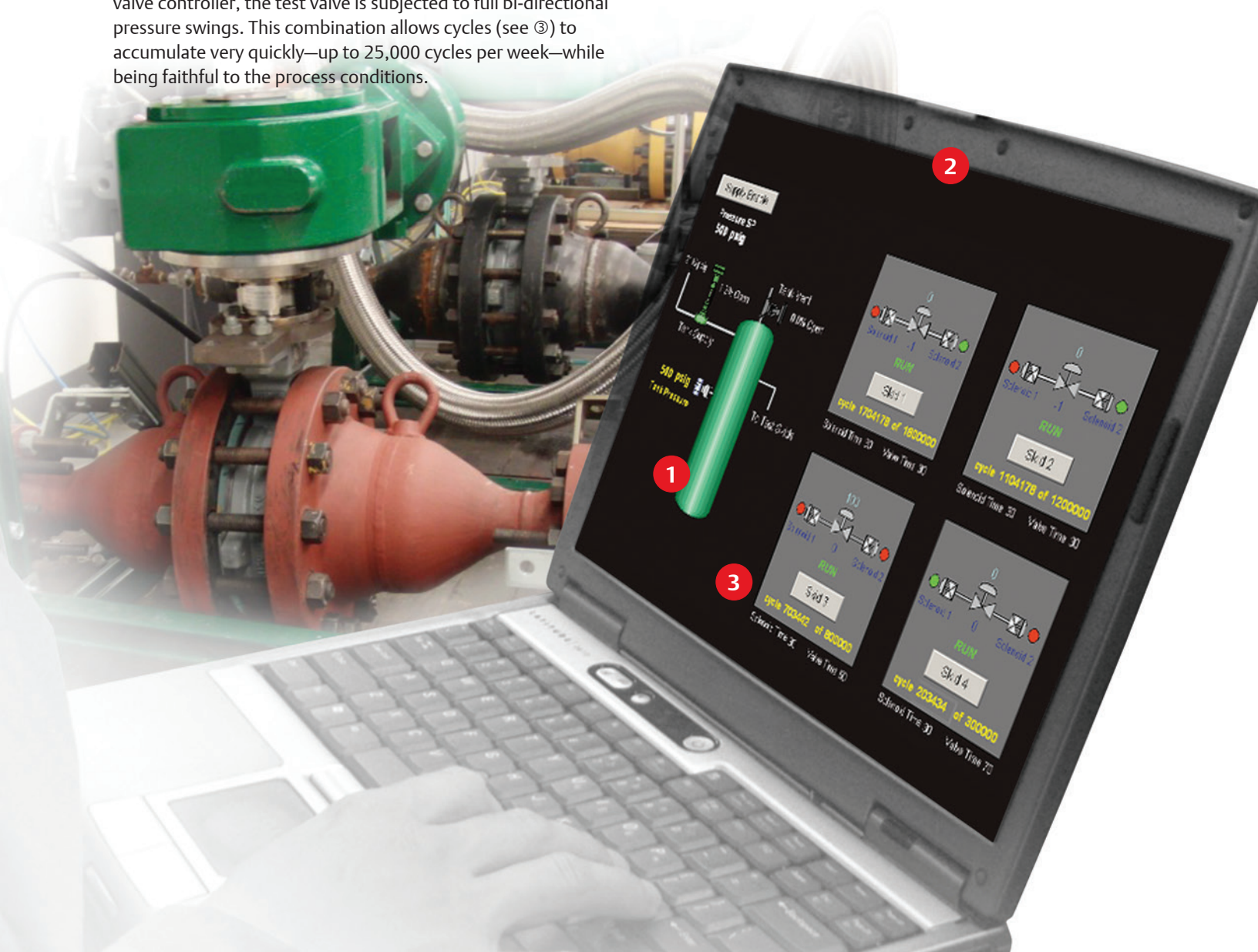
Each control valve assembly being tested is comprised of standard option parts, including valve seats, packing, actuator springs, and diaphragms. Each control valve assembly is controlled with a Fisher FIELDVUE digital valve controller. During the course of testing, no parts are changed—all data is gathered with the original seats, springs, and diaphragms as received from the factory.

Using Emerson's DeltaV™ workstation (see ②) and switching solenoids, in conjunction with the Fisher FIELDVUE digital valve controller, the test valve is subjected to full bi-directional pressure swings. This combination allows cycles (see ③) to accumulate very quickly—up to 25,000 cycles per week—while being faithful to the process conditions.

The valve plug is pressurized to 350 psi then stroked from 0–100–0% travel, subjecting the valve to a 350 psi pressure drop as the air vents to atmosphere. Actuator stroke time is controlled so that the 0–100% and 100–0% strokes occur in under two seconds. In addition to counting cycles, pressure taps have been installed allowing for seat leak testing as cycles accumulate.

Each control valve assembly is inspected several times per week for general operation. This checklist includes things like smooth operation, evidence of wear, and any audible changes.

The use of Fisher FIELDVUE digital valve controllers allows for monitoring of diagnostic and performance data such as friction, spring rate, and bench set. This information gives a detailed picture of what is happening inside the valve as cycle counts reach and exceed 1,000,000.



Improve Purity

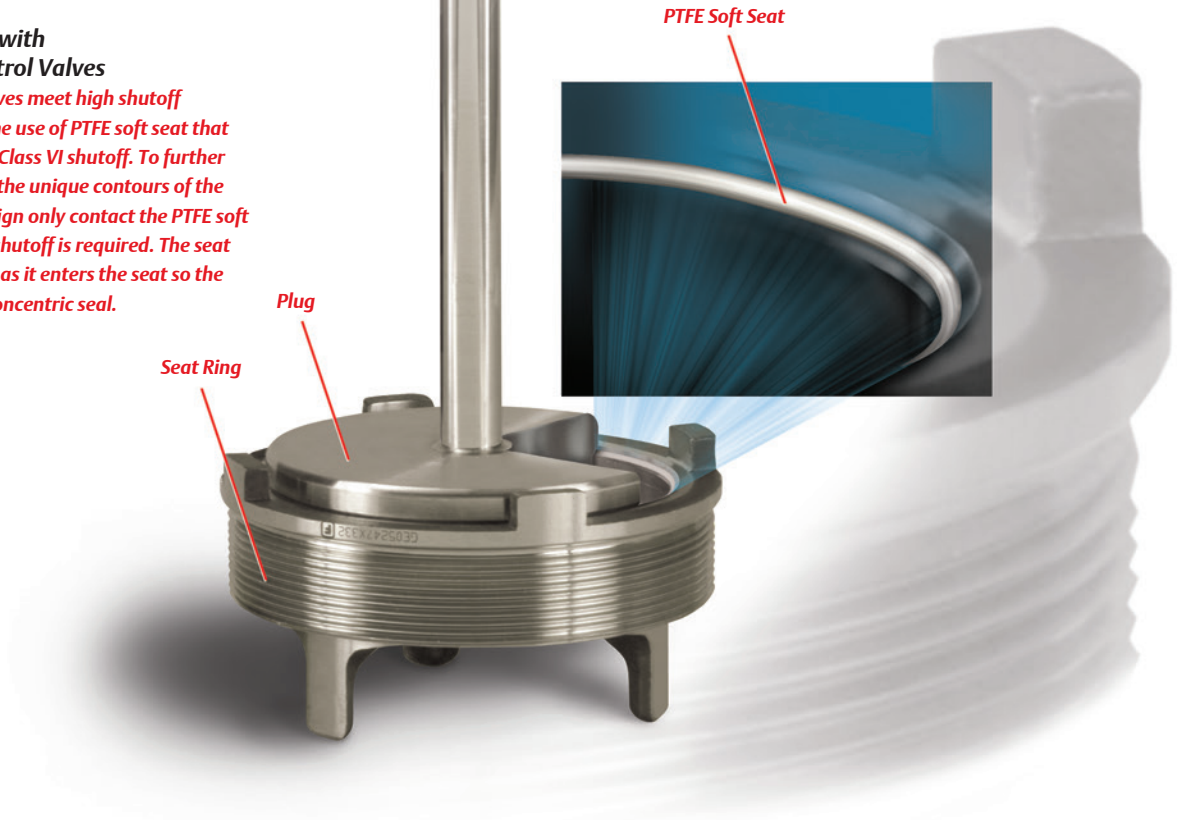
Engineered for Tight Shutoff

Control valve shutoff is a major concern because it affects purity. If control valve leakage causes contamination from one PSA bed to another, industrial gas purity can be compromised. Fisher sliding-stem and rotary control valves are premier performers in achieving tight shutoff in high-cycle applications.

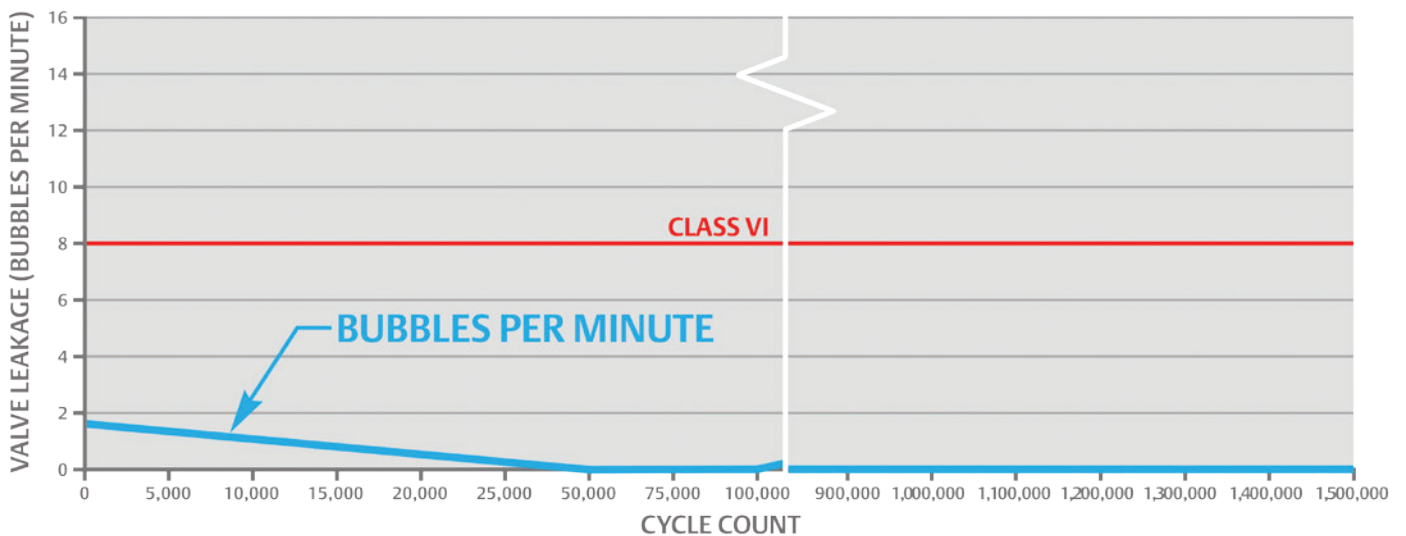
Excellent Shutoff with Sliding-Stem Control Valves

Fisher GX control valves meet high shutoff requirements with the use of PTFE soft seat that enables long-lasting Class VI shutoff. To further assure tight shutoff, the unique contours of the unbalanced plug design only contact the PTFE soft seat at the moment shutoff is required. The seat ring centers the plug as it enters the seat so the valve establishes a concentric seal.

Valve diagnostics in Fisher FIELDVUE digital valve controllers can detect performance changes by monitoring seat load and friction. When coupled with ValveLink™ software, FIELDVUE instruments alert the user of shutoff integrity deterioration. Predictive diagnostics allow scheduling of service before quality suffers.



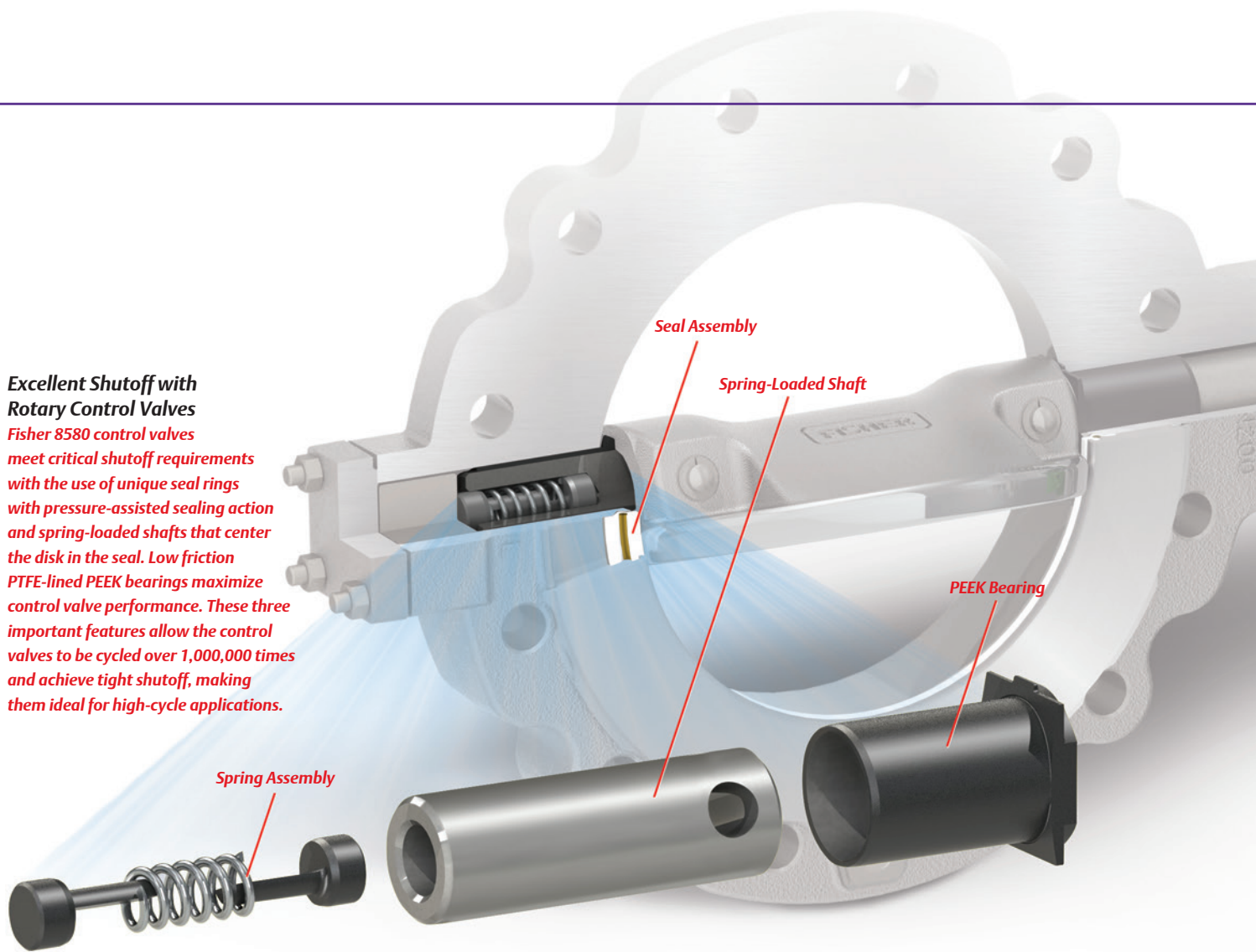
SLIDING-STEM HIGH-CYCLE SHUTOFF PERFORMANCE



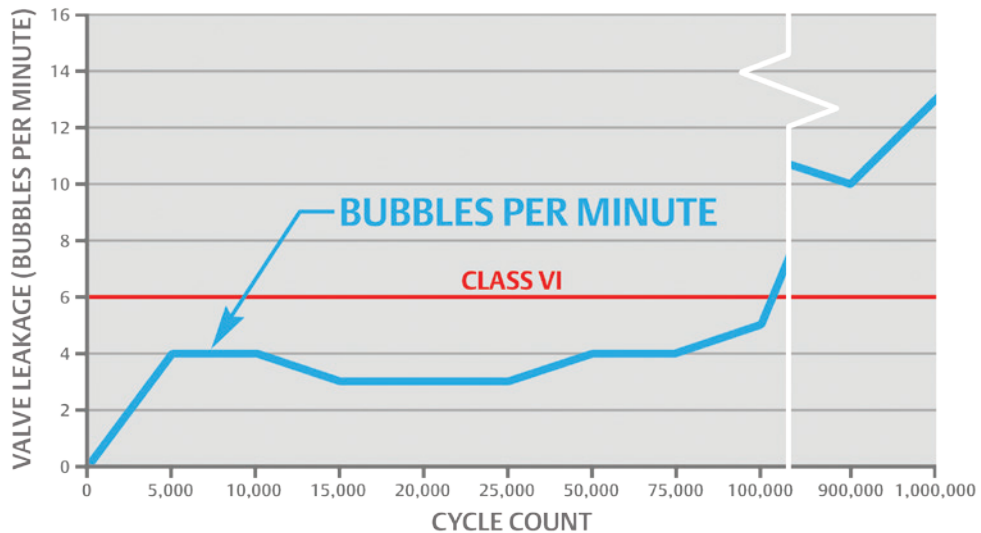
The Fisher sliding-stem control valve achieves acceptable Class VI shutoff throughout the life of the testing.

Excellent Shutoff with Rotary Control Valves

Fisher 8580 control valves meet critical shutoff requirements with the use of unique seal rings with pressure-assisted sealing action and spring-loaded shafts that center the disk in the seal. Low friction PTFE-lined PEEK bearings maximize control valve performance. These three important features allow the control valves to be cycled over 1,000,000 times and achieve tight shutoff, making them ideal for high-cycle applications.



ROTARY HIGH-CYCLE SHUTOFF PERFORMANCE



The Fisher rotary control valve achieves acceptable Class VI shutoff throughout the life of the testing.

Improve Uptime with Sliding-Stem Control Valve Assemblies

- **Reliable Actuator Performance** - Special GX actuator diaphragm material helps reduce common problems such as air oxidation, thermal aging, low temperature embrittlement, and loss of retention. Unlike a piston actuator, the GX spring-and-diaphragm actuator does not have a large diameter sliding seal that is subject to wear. The double-sided diaphragm within the actuator helps eliminate mechanical wear-induced failure.
- **Fast Stroking Speed** - When your high-cycle applications require adjustable cycle times, Fisher control valve assemblies deliver with fast actuator stroking speeds and tight process control.
- **Precise Valve Positioning** - Linkage-less, non-contact FIELDVUE digital valve controllers are paired with Fisher control valves to achieve precise positioning accuracy and fast response to process changes. FIELDVUE digital valve controllers offer integral 4-20 mA position feedback for explosion-proof or non-explosion-proof applications.



On-Line, In-Service Diagnostics

When coupled with ValveLink software, FIELDVUE digital valve controllers give advanced notice of performance issues and provide recommended actions.

Pushbutton Calibration and Versatility

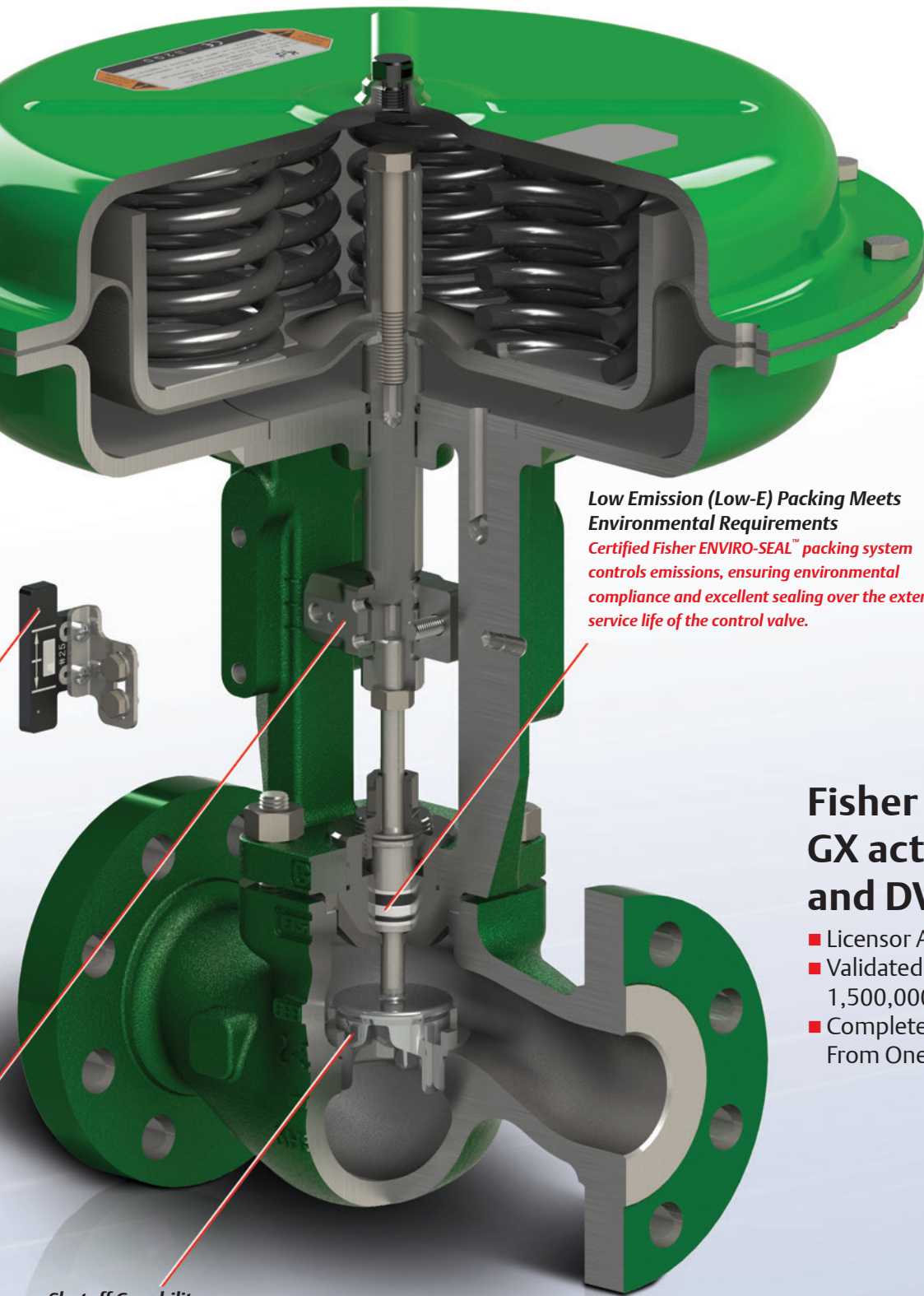
Configure, calibrate, and tune the FIELDVUE DVC2000 digital valve controller using its local user interface with four pushbuttons. Users can select their language of choice, which allows for global standardization.

Zero Lost Motion

With no linkage to wear, loosen, corrode, or vibrate, FIELDVUE digital valve controllers can handle harsh environments and nonstop cycling. A magnet array and Hall Effect sensor are used to detect valve position.

Enhanced Stem Alignment

The stem connector eliminates axial load on the packing system, improves the stem seal, and increases packing life.



Low Emission (Low-E) Packing Meets Environmental Requirements
Certified Fisher ENVIRO-SEAL™ packing system controls emissions, ensuring environmental compliance and excellent sealing over the extended service life of the control valve.

Fisher GX control valve, GX actuator, and DVC2000 instrument

- Licensor Approved
- Validated Through Testing to 1,500,000 Cycles
- Complete, Integrated Solution From One Supplier

Shutoff Capability

The PTFE soft seat provides Class VI shutoff and the ion-nitrided plug has a hard, wear resistance guiding surface for increased cycle life.

Improve Uptime with Rotary Control Valve Assemblies

- **Reliable Actuator Performance** - The 2052 spring-and-diaphragm actuator was designed for long service life under load conditions. It has no O-rings to wear, an inherent position on air failure, low actuator pressures for operation, and double-sided diaphragms. Designed for 1,000,000 cycles under load conditions, you can forget about leakage, failure, and poor control.
- **Fast Stroking Speed** - When your high-cycle applications require adjustable cycle times, Fisher control valve assemblies deliver with fast actuator stroking speeds and tight process control.
- **Precise valve positioning** - Linkage-less, non-contact FIELDVUE digital valve controllers are paired with Fisher control valves to achieve precise positioning accuracy and fast response to process changes. With no linkage to wear, loosen, corrode, or vibrate, FIELDVUE digital valve controllers can handle harsh environments and nonstop cycling. FIELDVUE digital valve controllers offer integral 4-20 mA position feedback for explosion-proof or non-explosion-proof applications.

Long Seal Life

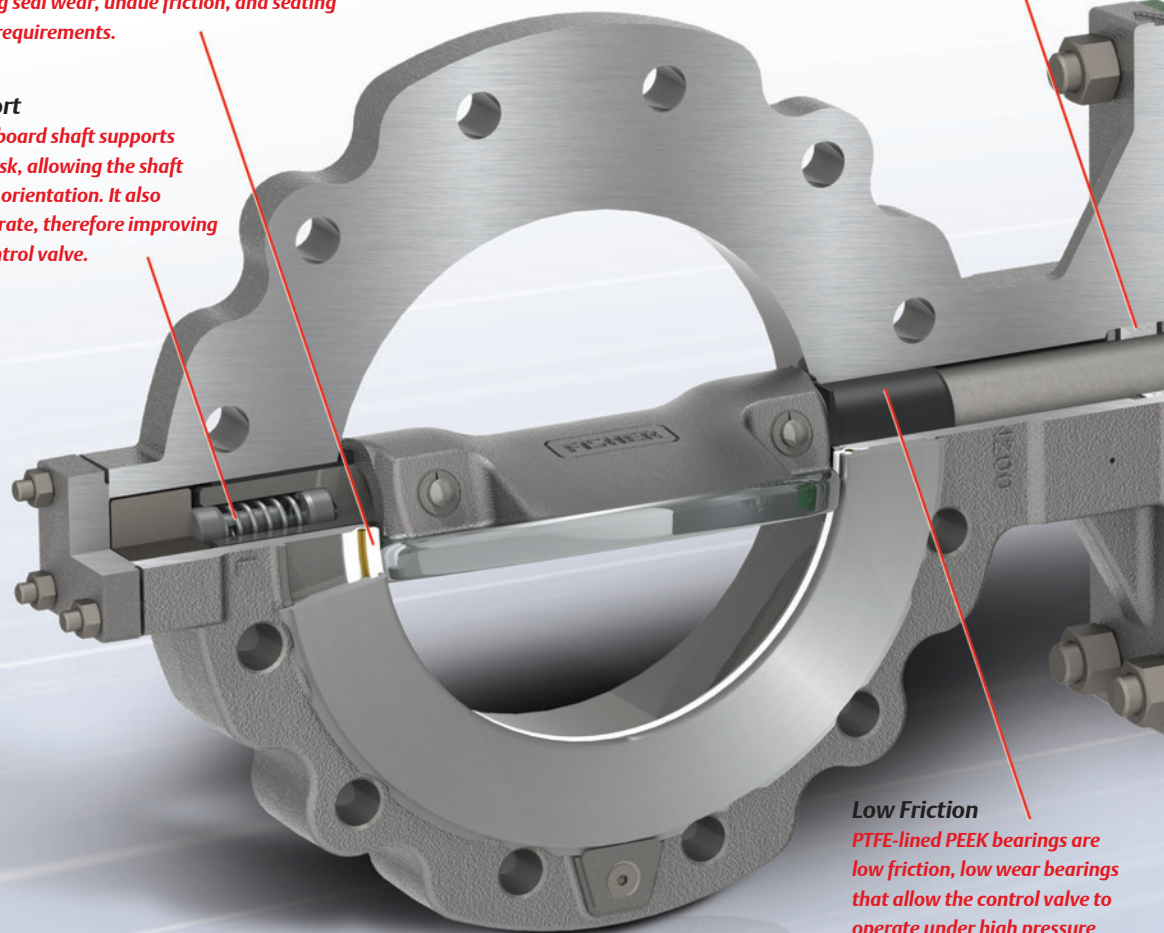
The seal ring has pressure-assisted sealing action, ensuring tight shutoff regardless of pressure drop. The opening and closing path of the eccentric disk minimizes disk contact with the seal ring, thereby reducing seal wear, undue friction, and seating torque requirements.

Drive Train Support

The spring in the outboard shaft supports the drive train and disk, allowing the shaft to be installed in any orientation. It also minimizes seal wear rate, therefore improving the uptime of the control valve.

Low Emission (Low-E) Packing Meets Environmental Requirements

Certified Fisher ENVIRO-SEAL packing system controls emissions, ensuring environmental compliance and excellent sealing over the extended service life of the control valve.



Low Friction

PTFE-lined PEEK bearings are low friction, low wear bearings that allow the control valve to operate under high pressure drops for a high cycle life while maintaining low torque.

Fisher 8580 control valve, 2052 actuator, and DVC6200 instrument

- Licenser Approved
- Validated Through Testing to 1,000,000 Cycles
- Complete, Integrated Solution From One Supplier

On-Line, In-Service Diagnostics

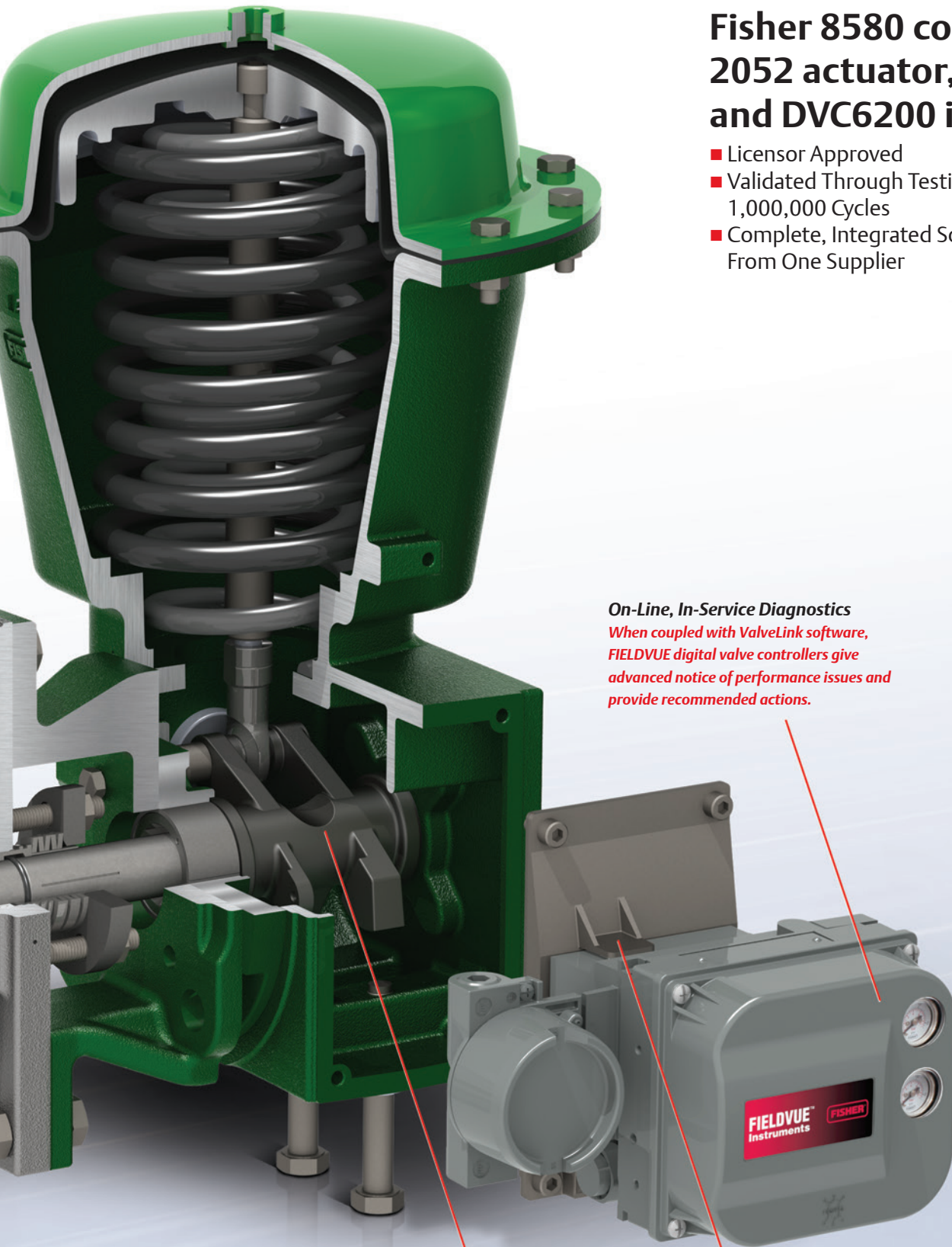
When coupled with ValveLink software, FIELDVUE digital valve controllers give advanced notice of performance issues and provide recommended actions.

Minimal Lost Motion

The clamping of the lever onto the splined valve shaft, coupled with the single pivot linkage, reduces lost motion between the actuator and the control valve.

Zero Lost Motion

With no linkage to wear, loosen, corrode, or vibrate, FIELDVUE digital valve controllers can handle harsh environments and nonstop cycling. A magnet array and Hall Effect sensor are used to detect valve position.



Lifecycle Services for Fisher Products

The way you manage key production assets like control valves directly affects your plant's efficiency, reliability, and profitability. Emerson provides trusted expertise for reliability-centered control valve maintenance and repair.

Whether you're starting or commissioning a process, scheduling diagnostics and repair, or planning a turnaround with upgrades to optimize and extend your plant's lifecycle, our network of owned and authorized service centers around the world provide effective maintenance through a network of experienced, highly skilled technicians when and where you need them.



Plant Lifecycle Events and Demands

To help you maintain your plant's efficiency and reliability, Emerson uses only certified OEM parts and assemblies sourced through local inventories, regional parts distribution centers, and Quick Ship facilities to deliver unmatched response to customer needs.

With Emerson as your trusted partner, you can realize the true potential of your Fisher and non-Fisher control valves throughout their lifecycle.

Plant Lifecycle Events	Value of Lifecycle Services	Solutions
Startup and Commissioning	<ul style="list-style-type: none"> ■ Reduced startup time ■ Safe and effective startup to full capacity ■ Comprehensive as-built documentation 	<ul style="list-style-type: none"> ■ Implementation of startup and commissioning plan ■ Experienced, local, certified technicians ■ Installation of “sacrificial” trim for hydro and flush ■ Skilled valve installation, calibration, and configuration ■ Provide QMS-based “as-left” documentation
Operate and Maintain	<ul style="list-style-type: none"> ■ Reduced downtime with optimal process availability ■ Improved process control quality, on-spec product ■ Maintain regulatory compliance, safety, and certifications 	<ul style="list-style-type: none"> ■ Availability of local emergency service support ■ Certified OEM parts, repairs, and technicians ■ Quick Ship parts and assemblies ■ Implement plant survey and application review ■ Perform predictive diagnostic maintenance ■ Spare parts management services
Turnaround/Outage	<ul style="list-style-type: none"> ■ Complete turnaround/outage on time and within budget ■ Improved reliability reduces risk and unplanned upsets ■ Increased safety during operation 	<ul style="list-style-type: none"> ■ Turnaround/outage management with six-step process ■ Experienced, local, certified technicians ■ Prioritize control valve repair ■ Increase visibility to long lead-time parts ■ Provide final report and documentation ■ Perform efficient startup
Technology Upgrade	<ul style="list-style-type: none"> ■ Reduce operational costs ■ Provide adaptability to process evolution ■ Improved maintenance efficiency and safety 	<ul style="list-style-type: none"> ■ Provide application and technology reviews ■ Implement FIELDVUE digital valve controllers and PlantWeb™ predictive intelligence ■ Upgrade control valve technology ■ Provide technology and service training
Optimization	<ul style="list-style-type: none"> ■ Enhance process performance with reduced variability ■ Maintenance practices become more proactive ■ Improved work practices and safety ■ Focus on competencies of your business 	<ul style="list-style-type: none"> ■ Provide reliability-based maintenance programs with on-site specialists ■ Provide certified valve and instrument technicians ■ Conduct Fisher product and service training ■ Implement Emerson innovative technologies



You're Never Alone
 Our extensive network of Service Center locations spans every continent. We're there for you day or night, when and where you need us, 24/7/365. To learn more, scan the QR code or visit www.Fisher.com/LifecycleServices.





 <http://www.Facebook.com/FisherValves>

 <http://www.Twitter.com/FisherValves>

 <http://www.YouTube.com/user/FisherControlValve>

 <http://www.Linkedin.com/groups/Fisher-3941826>

To find the Fisher sales contact in your area, scan the QR code.



© 2006, 2015 Fisher Controls International LLC. All rights reserved.

Fisher, easy-e, FieldQ, TopWorx, FIELDVUE, DeltaV, ValveLink, ENVIRO-SEAL, FlowScanner, and PlantWeb are marks owned by one of the companies in the Emerson Process Management business unit of Emerson Electric Co. Emerson Process Management, Emerson, and the Emerson logo are trademarks and service marks of Emerson Electric Co. All other marks are the property of their respective owners.

The contents of this publication are presented for informational purposes only, and while every effort has been made to ensure their accuracy, nothing herein is to be construed as a warranty or guarantee, express or implied, regarding the products or services described herein or their use, performance, merchantability or fitness for a particular purpose. Individual results may vary. All sales are governed by our terms and conditions, which are available upon request. We reserve the right to modify or improve the designs or specifications of our products at any time without notice. Responsibility for proper selection, use and maintenance of any product or service remains solely with the purchaser and end user.

Emerson Process Management
Marshalltown, Iowa 50158 USA
Sorocaba, 18087 Brazil
Chatham, Kent ME4 4QZ UK
Dubai, United Arab Emirates
Singapore 128461 Singapore
www.Fisher.com

