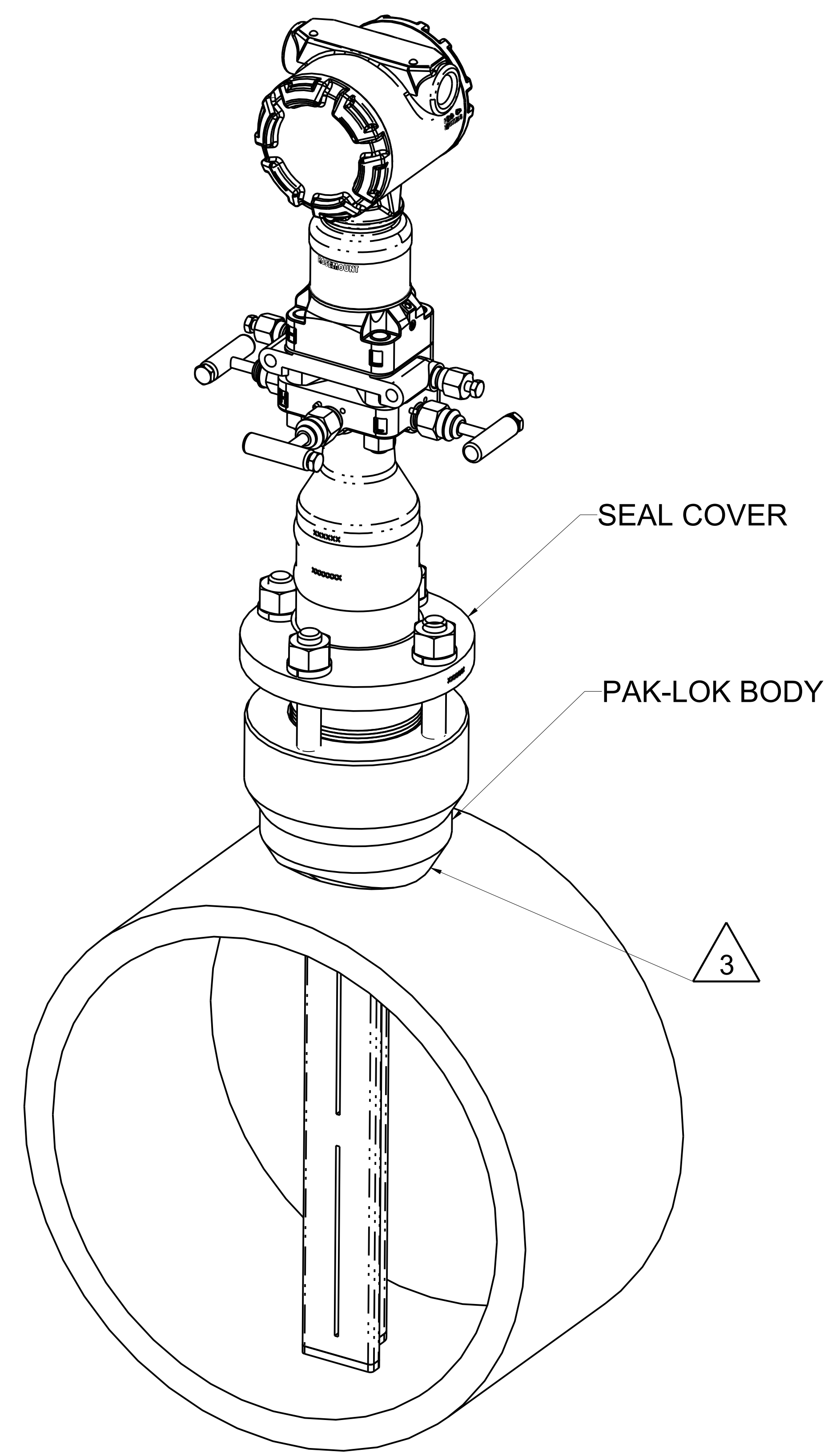


REVISION TABLE			
REVISION	ECO NO.	APP'D	DATE
AD	DSI1055475	JS	6/12/19
DESCRIPTION			
UPDATED SHEET 10 AND 12; DELETED SHEET 11, 13 AND 14			



NOTES:

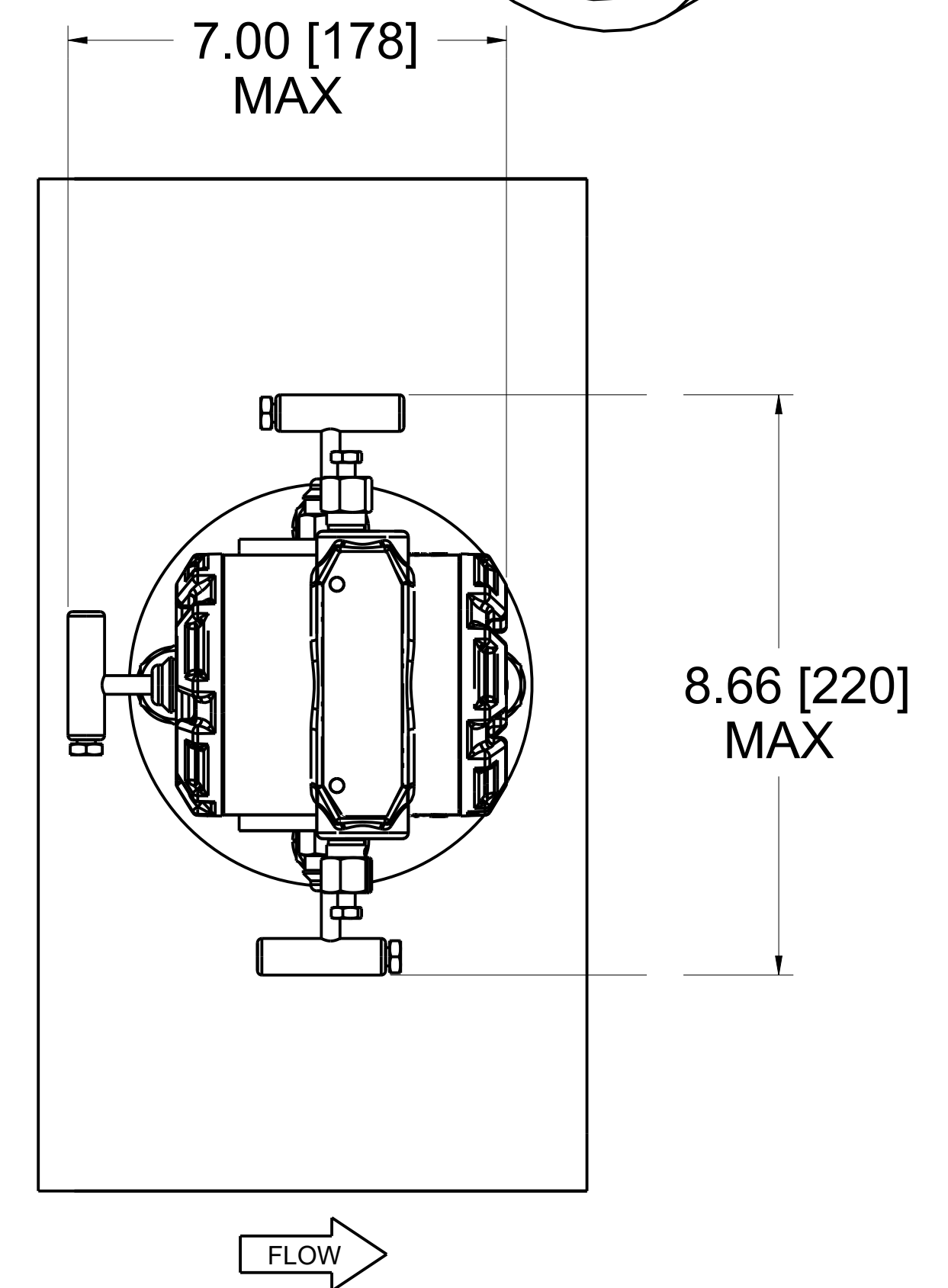
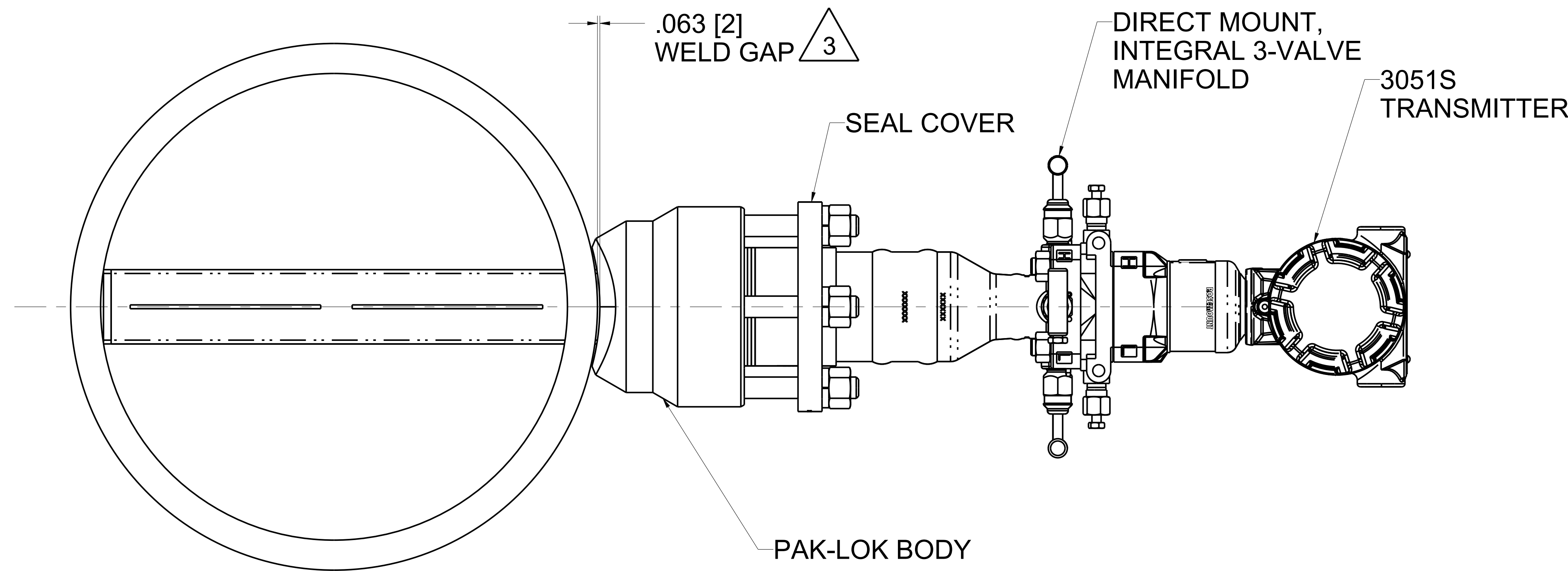
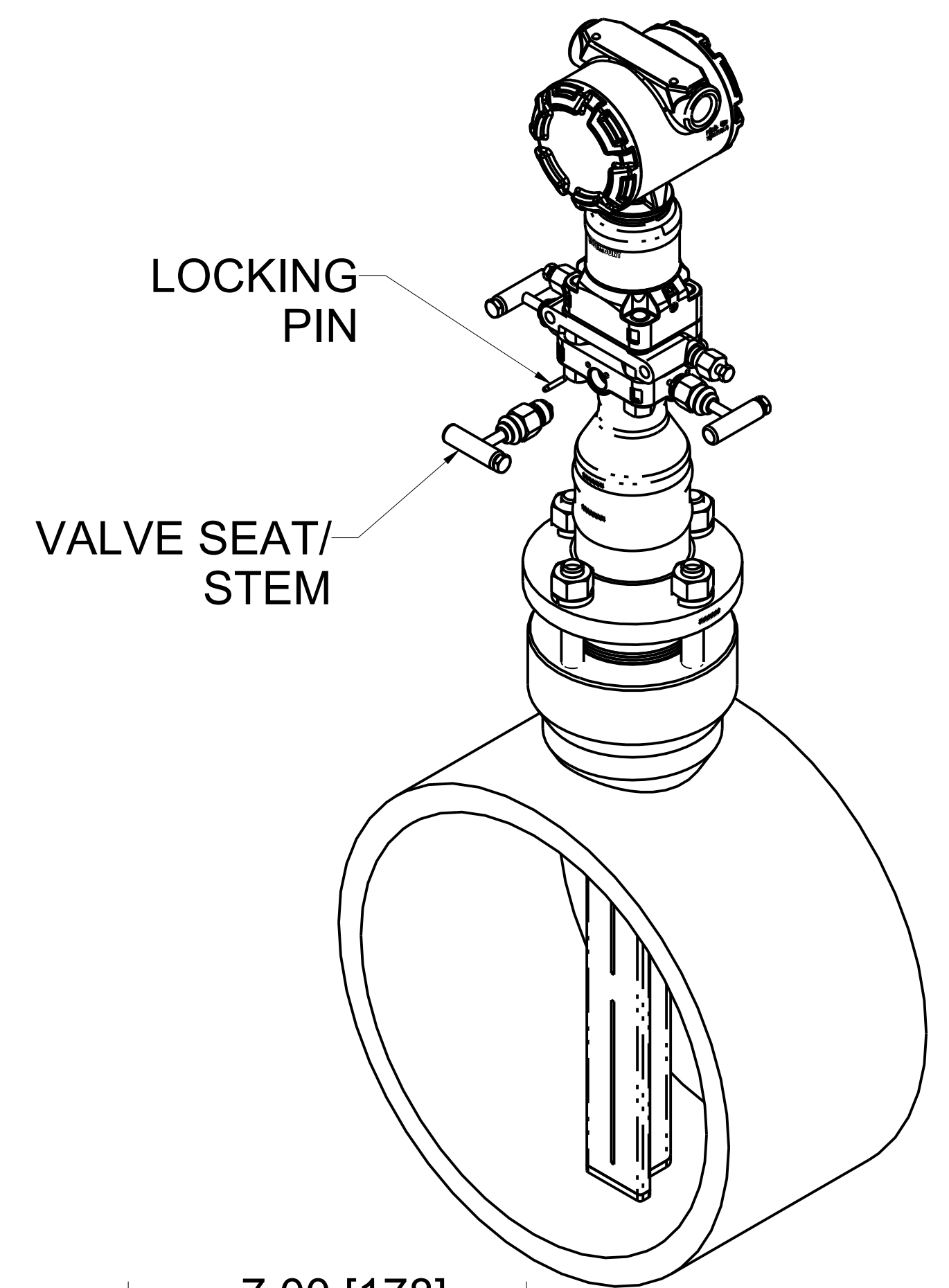
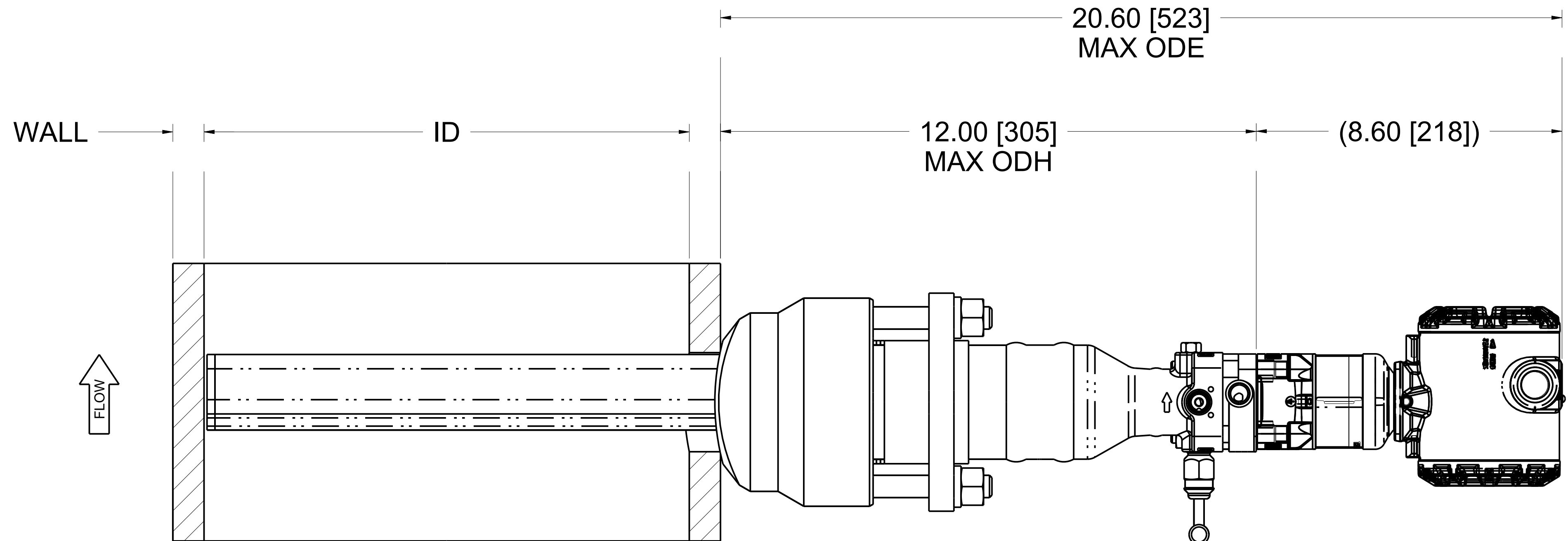
- ROSEMOUNT INC. CERTIFIES THIS DRAWING IS IN ACCORDANCE WITH ROSEMOUNT ENGINEERING SPECIFICATIONS AND ACCURATELY REPRESENTS THE EQUIPMENT FURNISHED.
- SENSOR ORIENTATION SHOWN FOR DETAIL ONLY. FOR ACTUAL RECOMMENDED LOCATION AND ORIENTATION REFER TO INSTALLATION INSTRUCTION MANUAL 00809-0100-4809, QUICK INSTALLATION GUIDE (QIG) 00810-0300-4809 AND SHEETS 17 & 18 OF THIS DOCUMENT.
- FIELD WELD. REFER TO INSTALLATION INSTRUCTIONS FOR WELD REQUIREMENTS.
- MAXIMUM PRESSURE: 600 ANSI EQUIVALENT (1440 PSIG AT 100° F) FOR 316SS;  
MAX TEMPERATURE: 500° F FOR INTEGRAL TRANSMITTER MOUNTING  
850° F FOR STAINLESS STEEL REMOTE MOUNTING OF TRANSMITTER  
1250° F FOR HASTELLOY REMOTE MOUNTING OF TRANSMITTER
- FOR MODEL SELECTIONS, REFER TO ROSEMOUNT PRODUCT DATA SHEET 00813-0100-4809.
- FOR REMOTE MOUNT INSTRUMENT CONNECTIONS, ORIENTATION OF INSTRUMENT CONNECTION ASSEMBLY IS FOR REFERENCE ONLY, UNLESS OTHERWISE NOTED. FOR COMPLETE INSTRUCTIONS, REFER TO INSTALLATION INSTRUCTION MANUAL 00809-0100-4809, QUICK INSTALLATION GUIDE (QIG) 00810-0300-4809.
- FOR REMOTE MOUNT INTEGRAL ORIENTATION, ASSEMBLY IS THE SAME ON HORIZONTAL OR VERTICAL LINE.

Electronic Master - Printed Copies Uncontrolled - Rosemount Proprietary

<small>©2015 ROSEMOUNT INC. ROSEMOUNT INC. CERTIFIES THIS DRAWING IS IN ACCORDANCE WITH ROSEMOUNT ENGINEERING SPECIFICATIONS. UNIT NOTES IN INCHES (mm). REFERENCE ROSEMOUNT PRODUCT SPECIFICATIONS FOR COMPLETE INSTALLATION INSTRUCTIONS. CLICK HERE</small>			<small>3RD ANGLE</small> 	<small>SIZE</small> D	<small>SCALE</small> NTS	
	<small>TITLE</small> ROSEMOUNT DIMENSIONAL DRAWING FOR MODEL 3051SFA PAK-LOK MOUNTING TYPE SENSOR SIZE 3					
	<small>DR.</small> SGE	<small>DATE</small> 06/10/15	<small>DRAWING NO.</small>	00485-1006		
	<small>APP'D</small> JR	<small>DATE</small> 06/10/15	<small>SHEET 1 OF 15</small>			

1 2 3 4 5 6 7 8 9 10 11 12 13 14 15 16

A  
B  
C  
D  
E  
F  
G  
H  
J  
K  
L  
M



**ELECTRONICS CONNECTION PLATFORM  
DIRECT MOUNT, INTEGRAL 3-VALVE MANIFOLD**

©2015 ROSEMOUNT INC.  
ROSEMOUNT INC. CERTIFIES  
THIS DRAWING IS MADE  
IN ACCORDANCE WITH  
ROSEMOUNT ENGINEERING  
SPECIFICATIONS.  
UNIT NOTES IN INCHES (mm).

EMERSON

TITLE: ROSEMOUNT DIMENSIONAL DRAWING FOR MODEL  
3051SFA PAK-LOK MOUNTING TYPE SENSOR SIZE 3

DR: SGE 06/10/15 DRAWING NO. 00485-1006  
APPD: JR 06/10/15  
CAD MAINTAINED, (PRO/E) SHEET 2 OF 15

3RD ANGLE

SIZE D

SCALE NTS

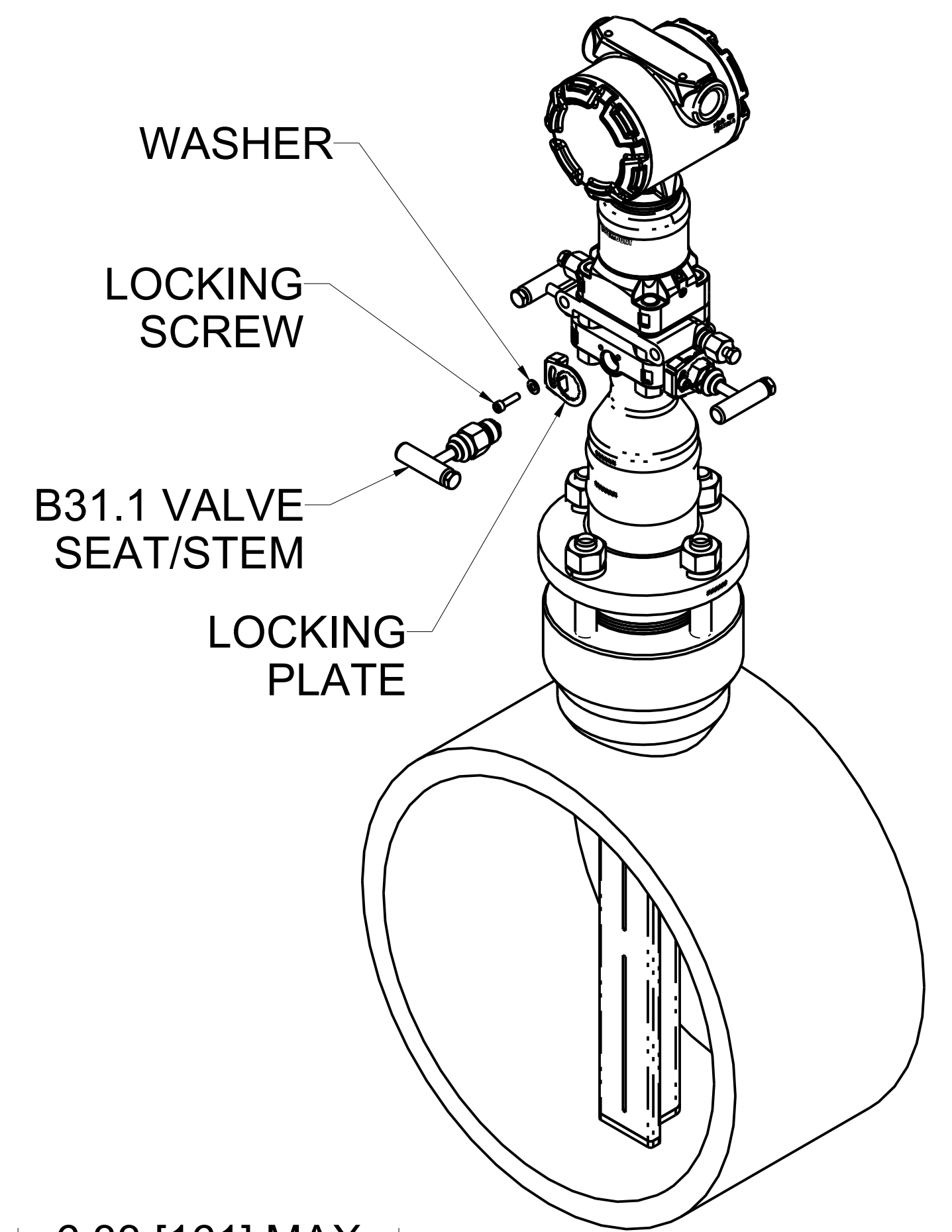
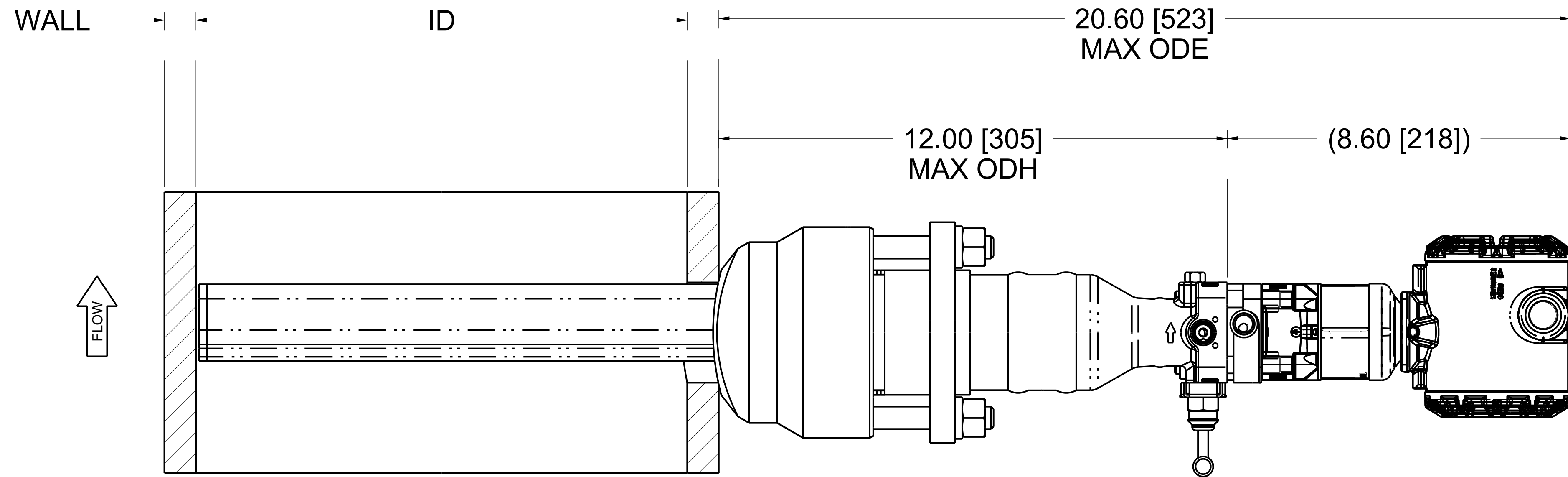
CLICK HERE

REFERENCE ROSEMOUNT  
PRODUCT SPECIFICATIONS.

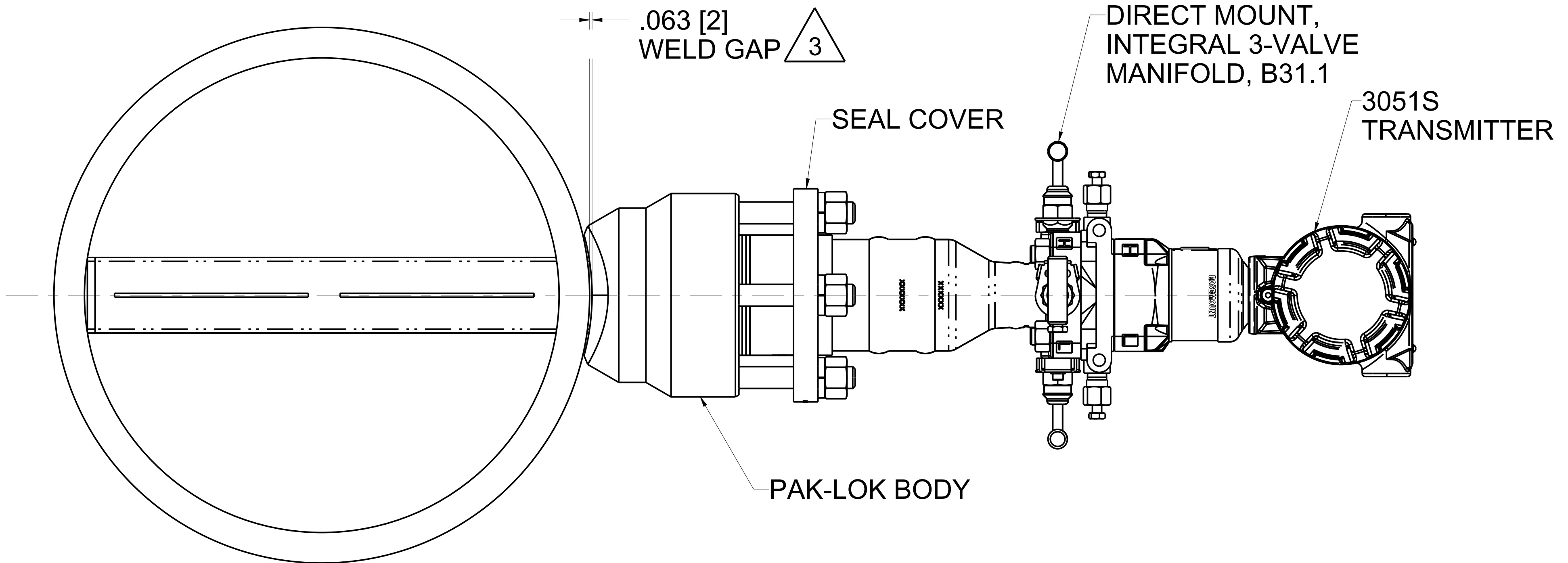
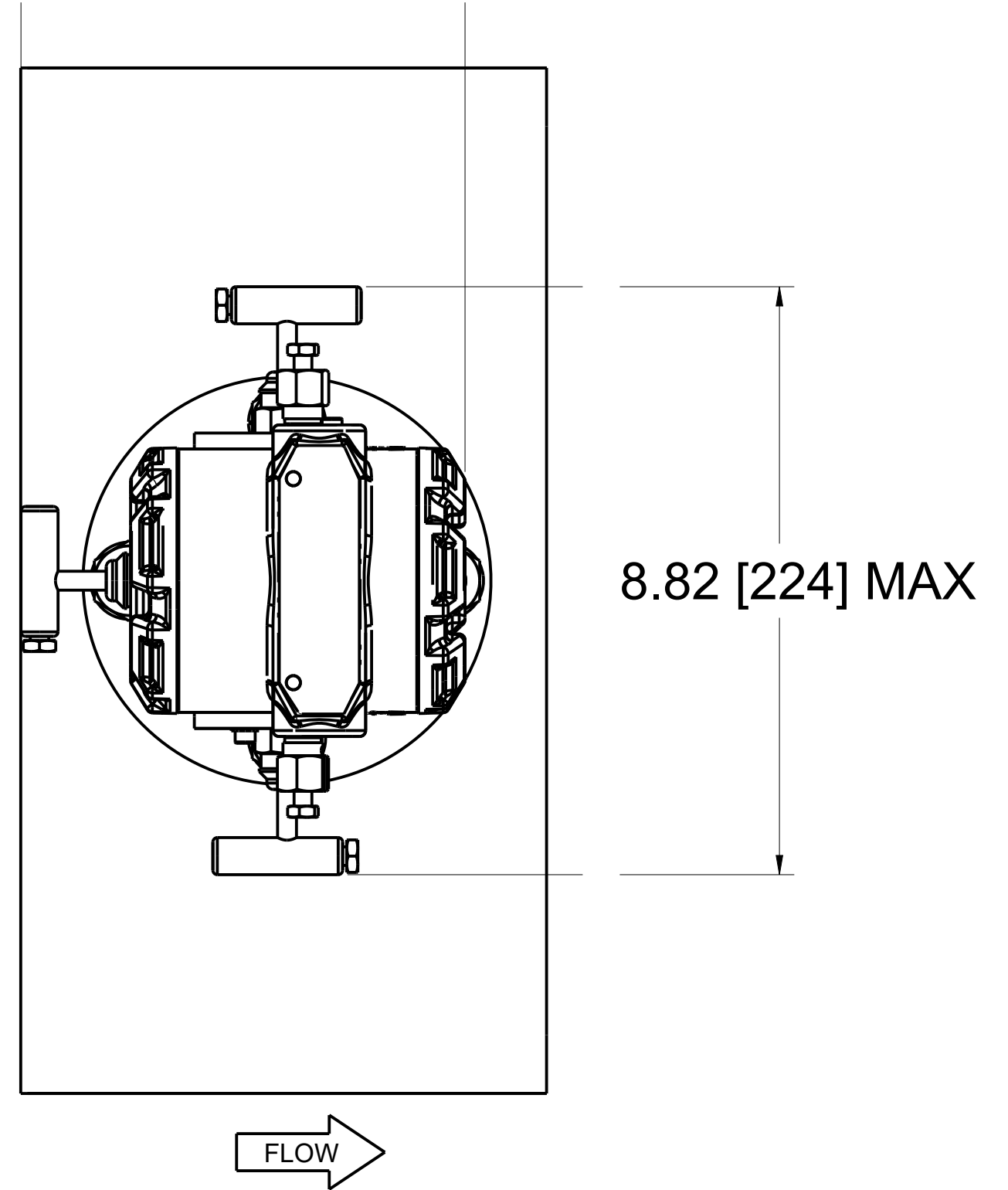
Electronic Master - Printed Copies Uncontrolled - Rosemount Proprietary

1 2 3 4 5 6 7 8 9 10 11 12 13 14 15 16

A B C D E F G H J K L M



6.33 [161] MAX



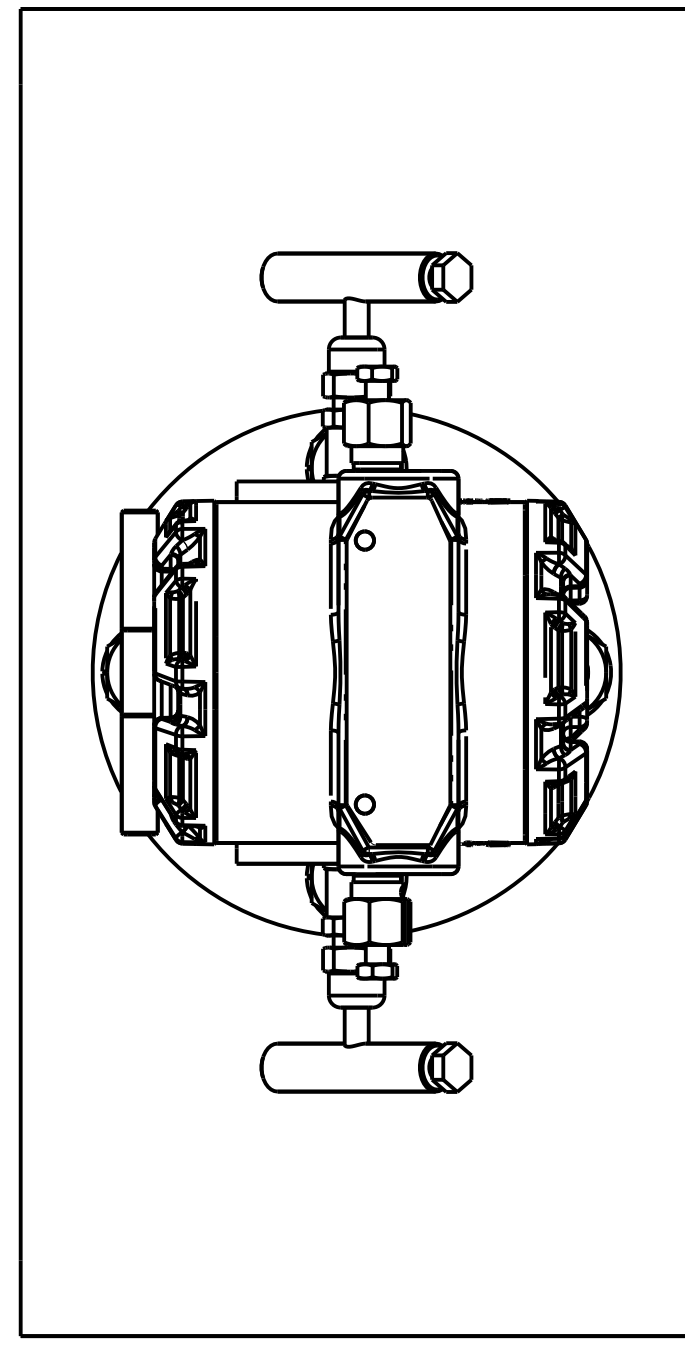
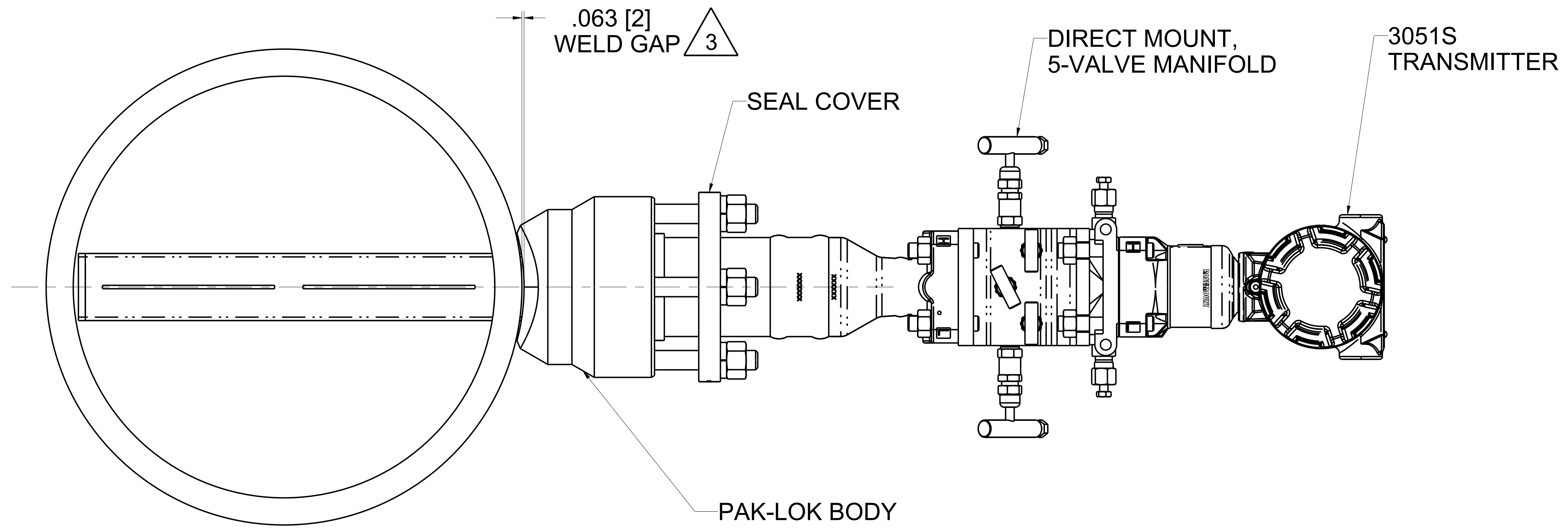
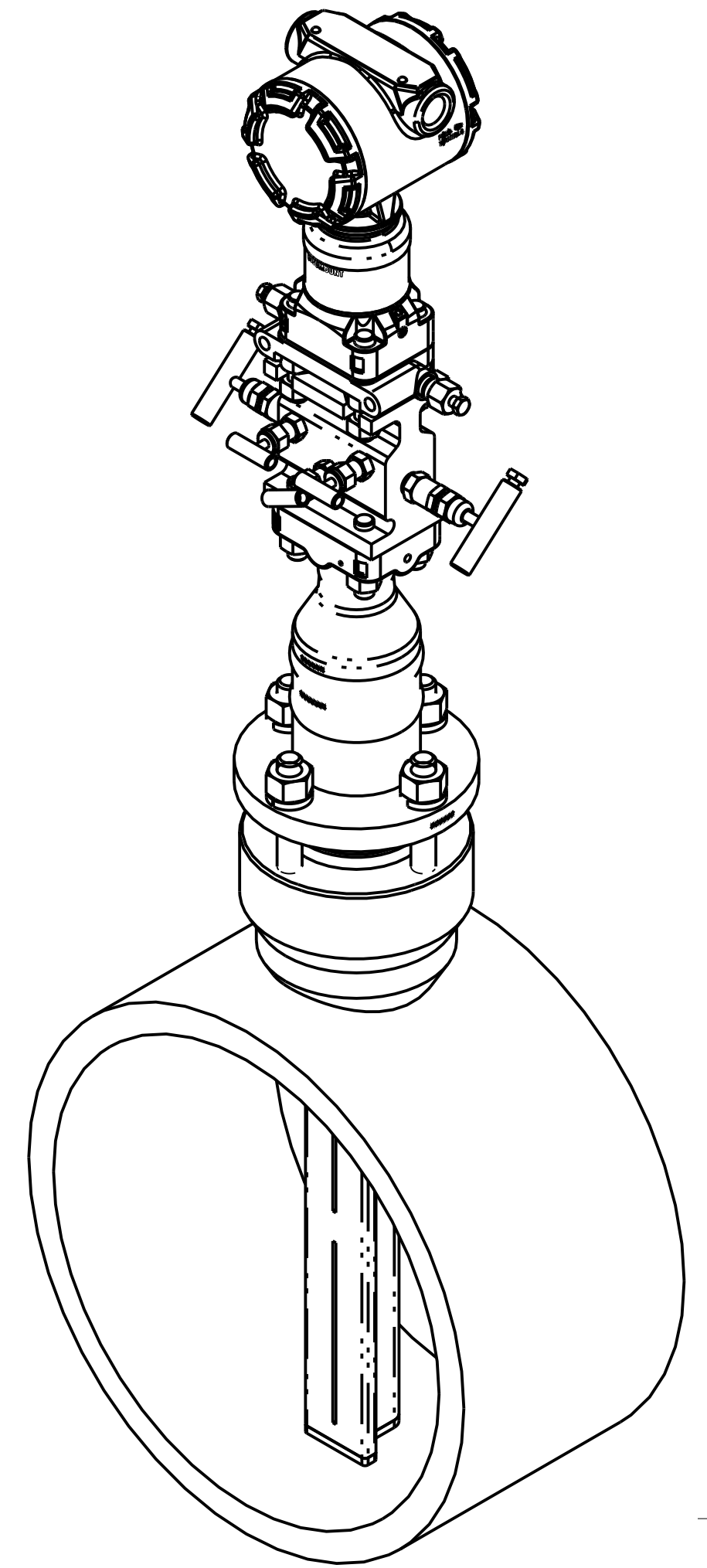
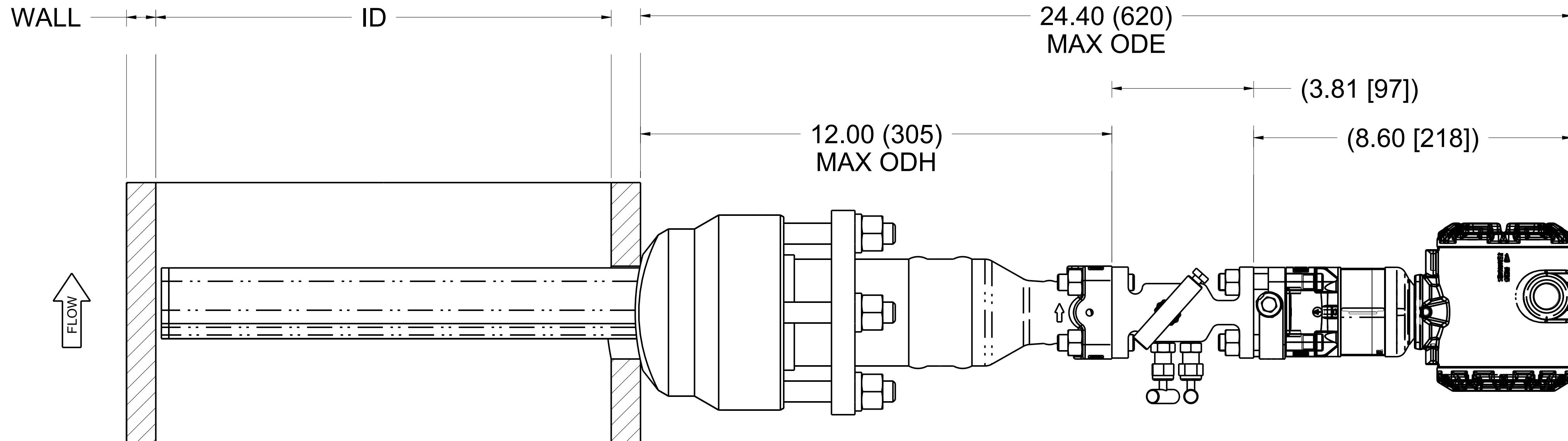
**ELECTRONICS CONNECTION PLATFORM  
DIRECT MOUNT, INTEGRAL 3-VALVE  
MANIFOLD, B31.1**

©2015 ROSEMOUNT INC. ROSEMOUNT INC. CERTIFIES THIS DIMENSIONAL DRAWING IN ACCORDANCE WITH ROSEMOUNT ENGINEERING SPECIFICATIONS. UNIT NOTES IN INCHES (mm). REFERENCE ROSEMOUNT PRODUCT SPECIFICATIONS. CLICK HERE	3RD ANGLE		SIZE D	SCALE NTS
	<b>EMERSON</b>			
	TITLE: ROSEMOUNT DIMENSIONAL DRAWING FOR MODEL 3051SFA PAK-LOK MOUNTING TYPE SENSOR SIZE 3			
	DR. SGE 06/10/15	APPD. JR 06/10/15	DRAWING NO.	00485-1006
CAD MAINTAINED, (PROE)			SHEET 3 OF 15	

Electronic Master - Printed Copies Uncontrolled - Rosemount Proprietary

1 2 3 4 5 6 7 8 9 10 11 12 13 14 15 16

A B C D E F G H J K L M



FLOW

**ELECTRONICS CONNECTION PLATFORM  
DIRECT MOUNT, 5-VALVE MANIFOLD**

©2015 ROSEMOUNT INC.  
ROSEMOUNT INC. CERTIFIES  
THIS DRAWING TO BE IN  
ACCORDANCE WITH  
ROSEMOUNT ENGINEERING  
SPECIFICATIONS.  
UNIT NOTES IN INCHES (mm).

EMERSON

TITLE: ROSEMOUNT DIMENSIONAL DRAWING FOR MODEL  
3051SFA PAK-LOK MOUNTING TYPE SENSOR SIZE 3

DR: SGE 06/10/15 DRAWING NO. 00485-1006

APPD: JR 06/10/15

CAD MAINTAINED, (PROE) SHEET 4 OF 15

3RD ANGLE

SIZE D

SCALE NTS

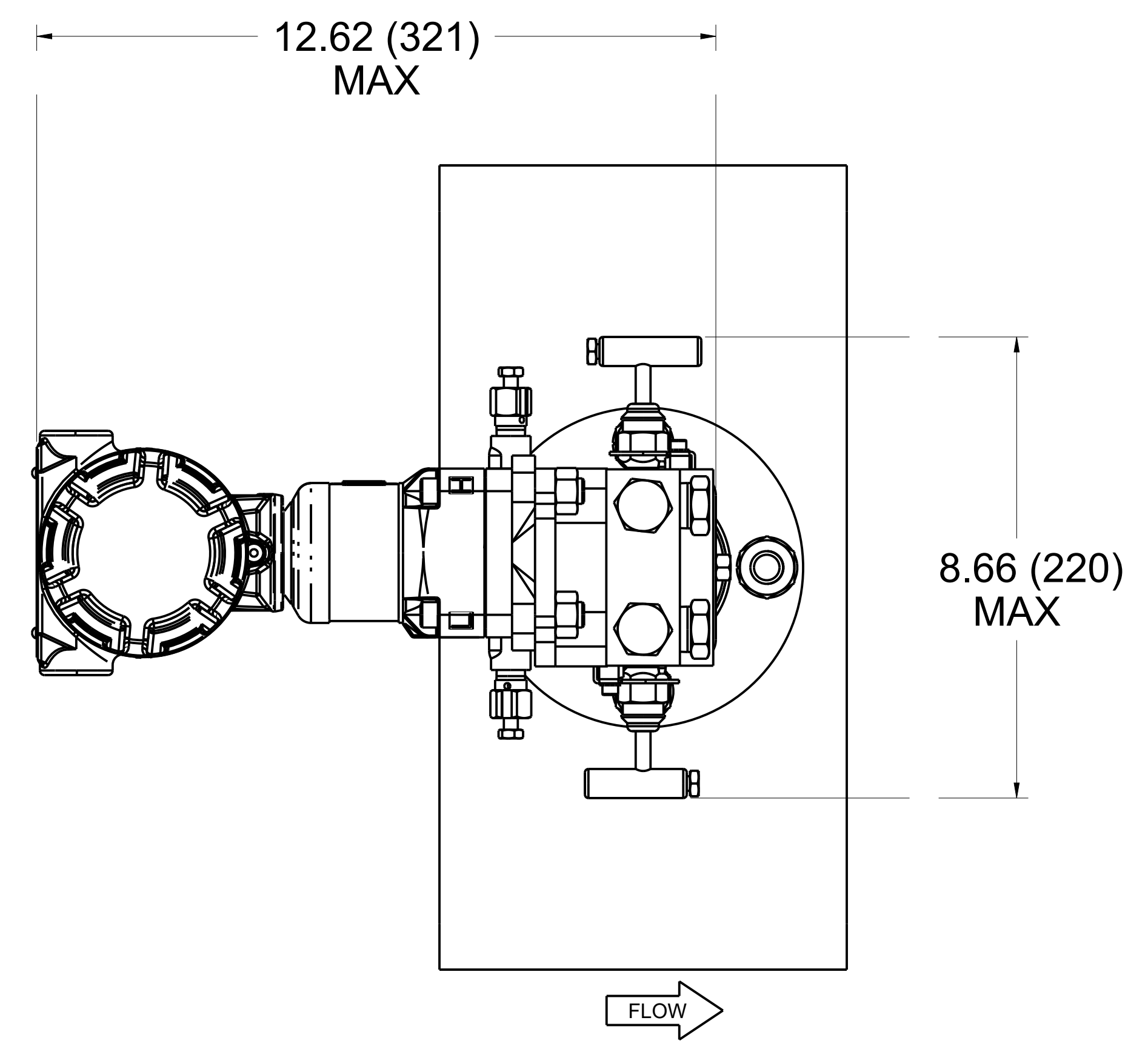
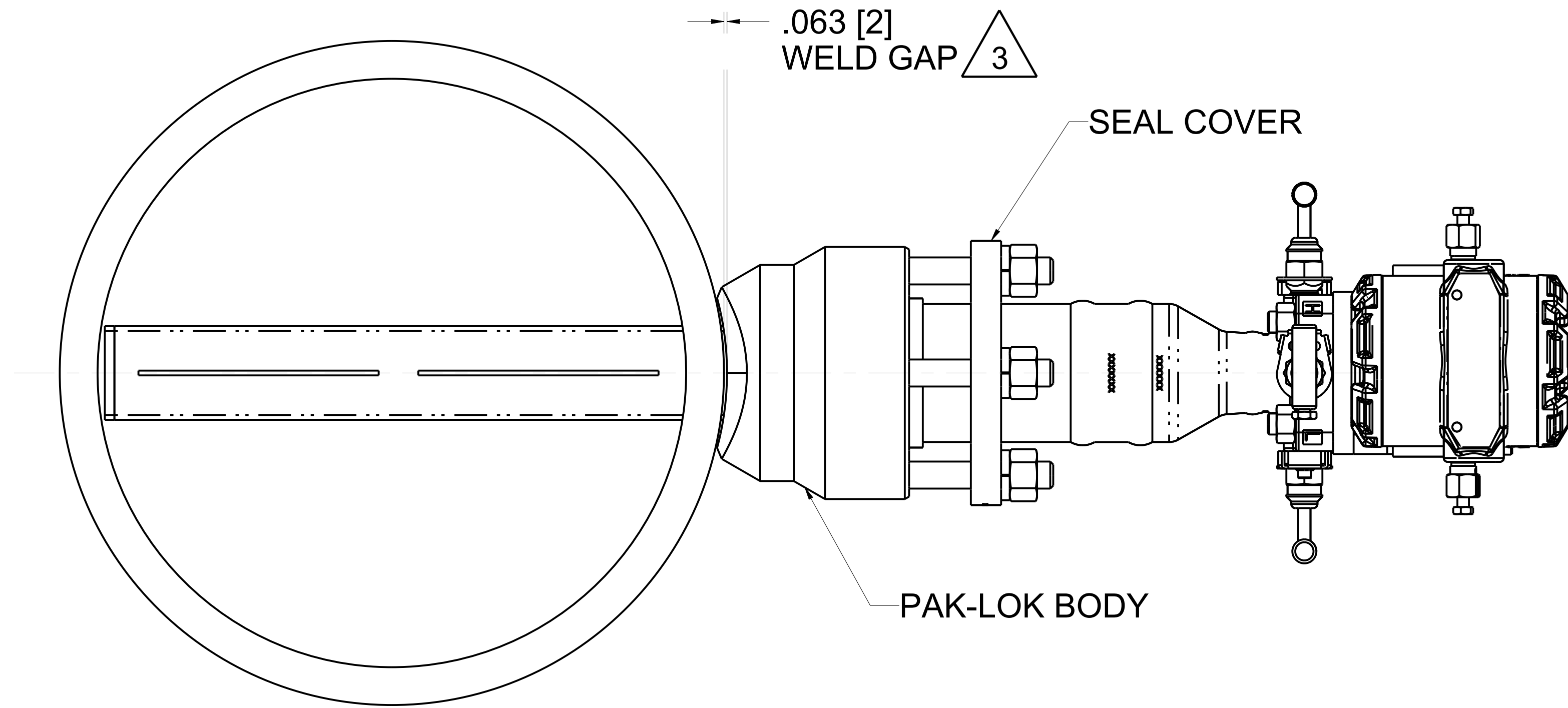
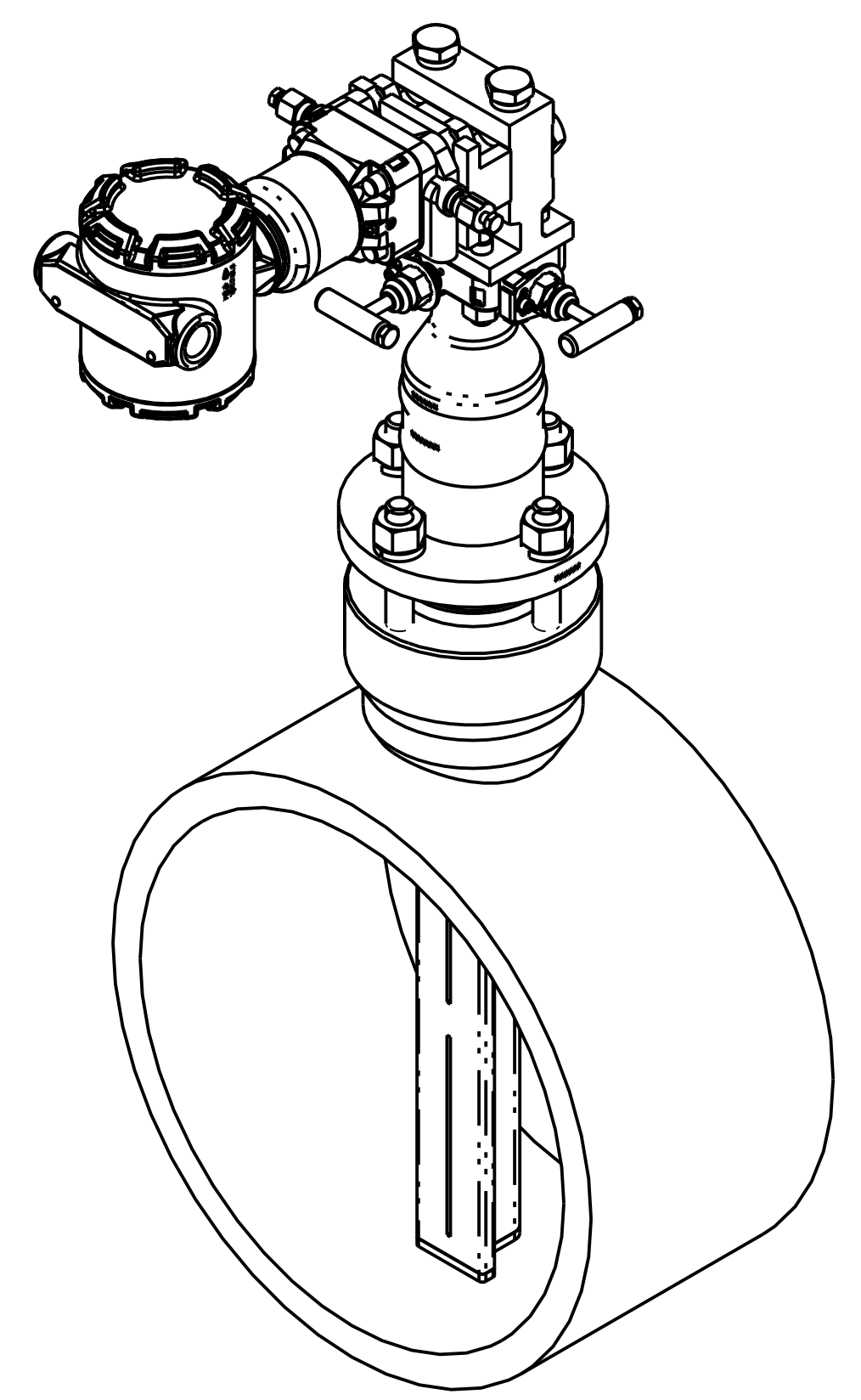
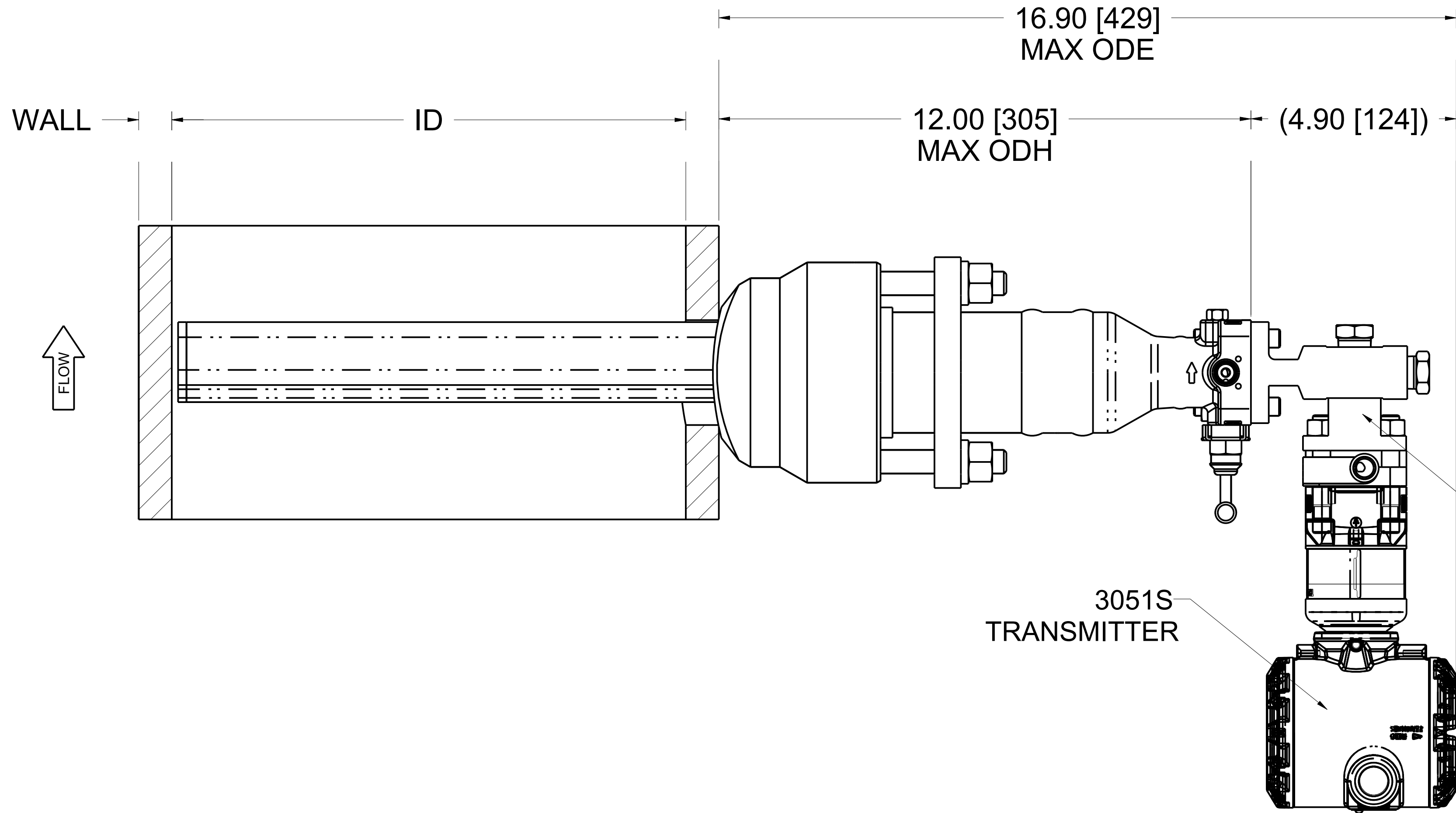
CLICK HERE

REFERENCE ROSEMOUNT PRODUCT SPECIFICATIONS.

Electronic Master - Printed Copies Uncontrolled - Rosemount Proprietary

1 2 3 4 5 6 7 8 9 10 11 12 13 14 15 16

A B C D E F G H J K L M



ELECTRONICS CONNECTION PLATFORM  
DIRECT MOUNT, 90 DEGREE SPACER,  
VERTICAL

©2015 ROSEMOUNT INC.  
ROSEMOUNT INC. CERTIFIES  
THIS DIMENSIONAL DRAWING IN  
ACCORDANCE WITH THE  
ROSEMOUNT ENGINEERING  
SPECIFICATIONS.  
UNIT NOTES IN INCHES (mm).

EMERSON

TITLE: ROSEMOUNT DIMENSIONAL DRAWING FOR MODEL  
3051SFA PAK-LOK MOUNTING TYPE SENSOR SIZE 3

DR: SGE 06/10/15 DRAWING NO. 00485-1006

APPD: JR 06/10/15

CAD MAINTAINED, (PROE)

SHEET 5 OF 15

3RD ANGLE

SIZE D

SCALE NTS

CLICK HERE

REFERENCE ROSEMOUNT  
PRODUCT SPECIFICATIONS.

Electronic Master - Printed Copies Uncontrolled - Rosemount Proprietary

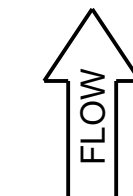
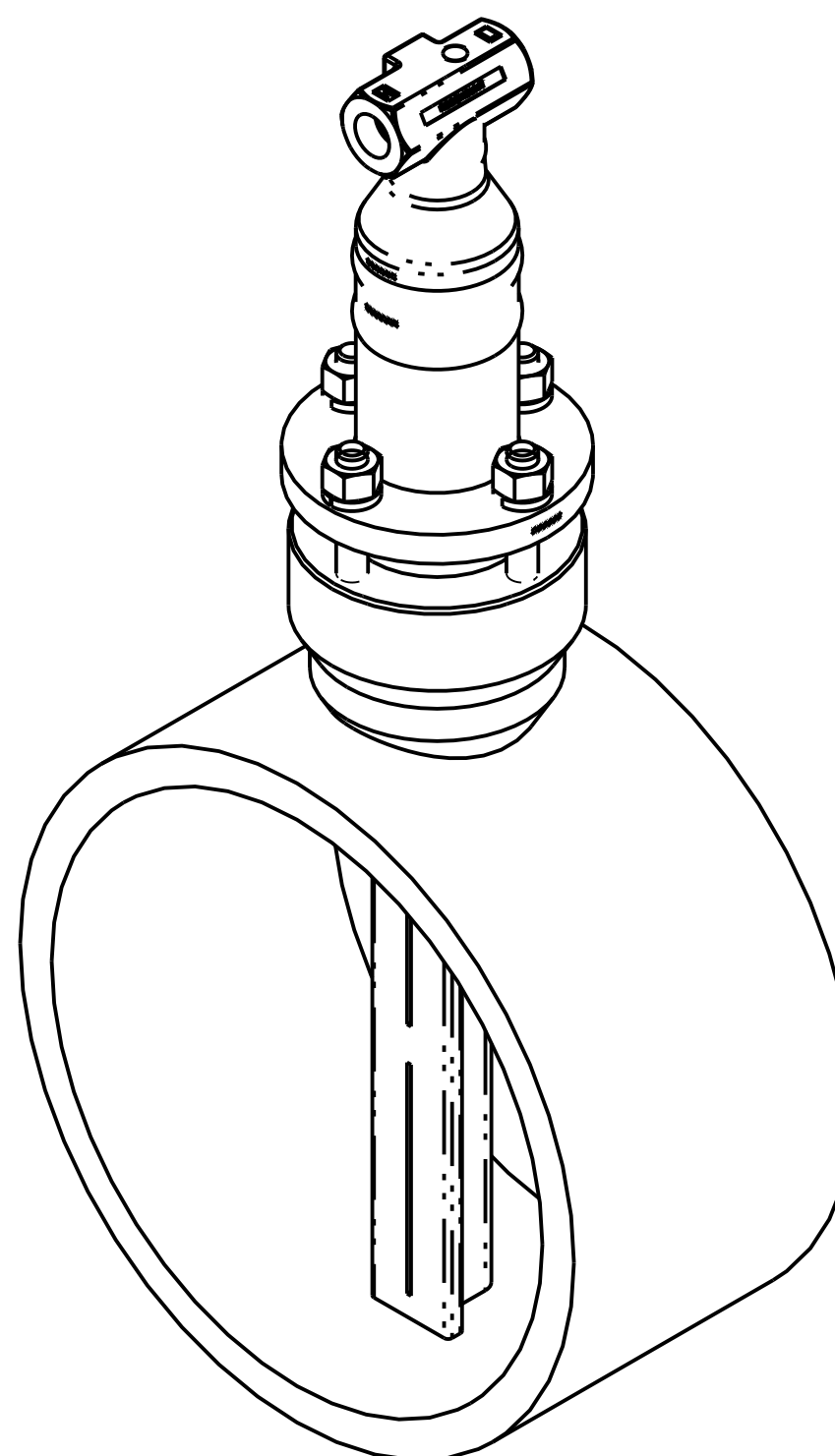
WALL

ID

12.00 [305]  
MAX ODH

1/2" NPT OR SW  
LO PRESSURE  
CONNECTION

1/2" NPT OR SW  
HI PRESSURE  
CONNECTION



.063 [2]  
WELD GAP 

SEAL COVER

REMOTE MOUNT  
HEAD

PAK-LOK BODY

3.25 [83]

1.75  
[44]



ELECTRONICS CONNECTION PLATFORM  
REMOTE MOUNT, 1/2" CONNECTIONS,  
HORIZONTAL


©2015 ROSEMOUNT INC.  
ROSEMOUNT INC. CERTIFIES  
THIS DIMENSIONAL DRAWING IN  
ACCORDANCE WITH  
ROSEMOUNT ENGINEERING  
SPECIFICATIONS.  
UNIT NOTES IN INCHES (mm).

REFERENCE ROSEMOUNT  
PRODUCT SPECIFICATIONS  
FOR  
PRODUCT SPECIFICATIONS.  
CLICK HERE

**EMERSON**

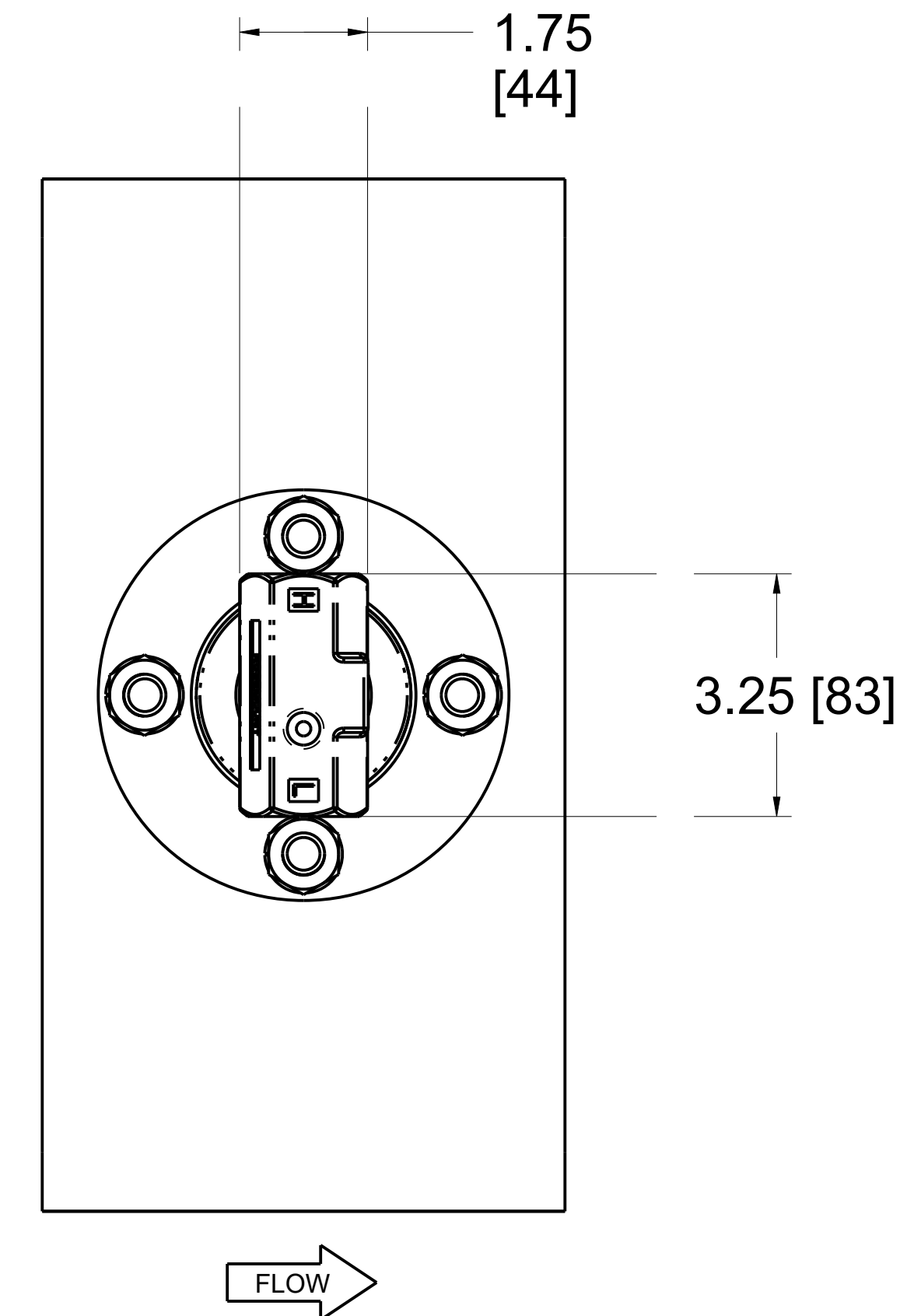
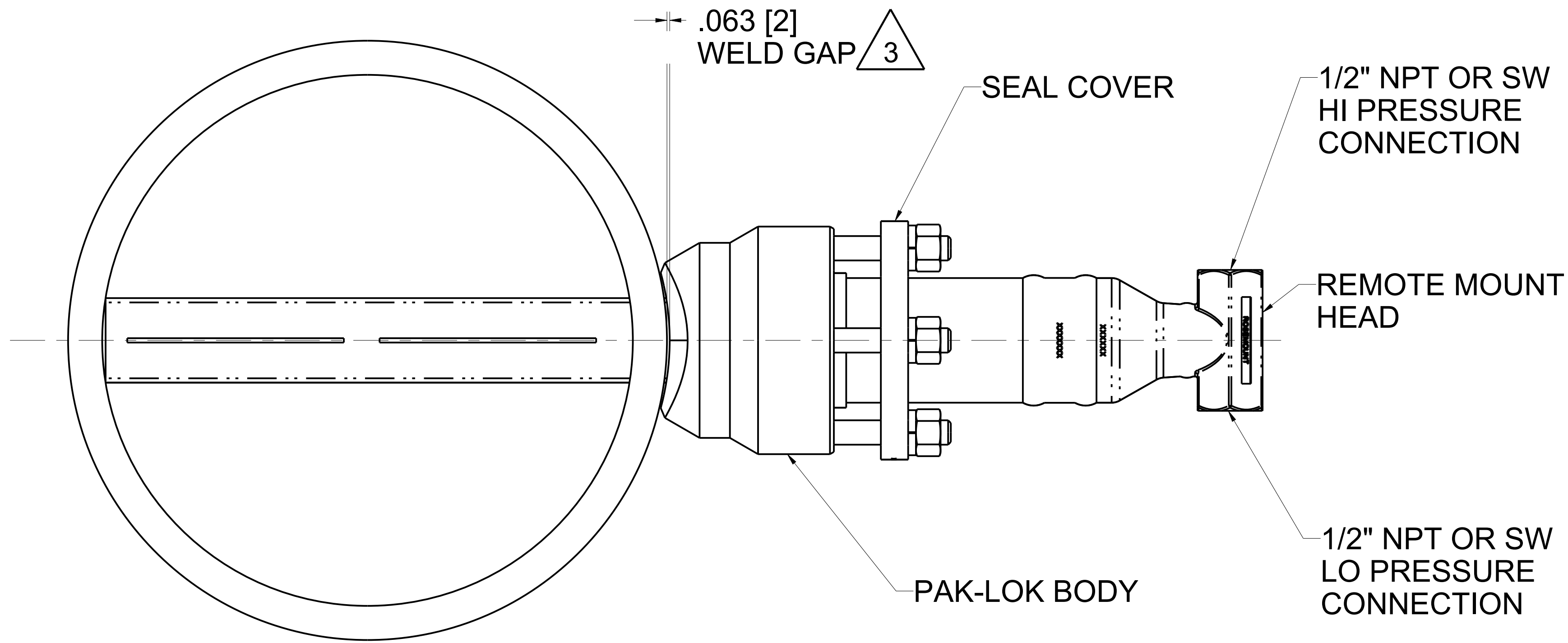
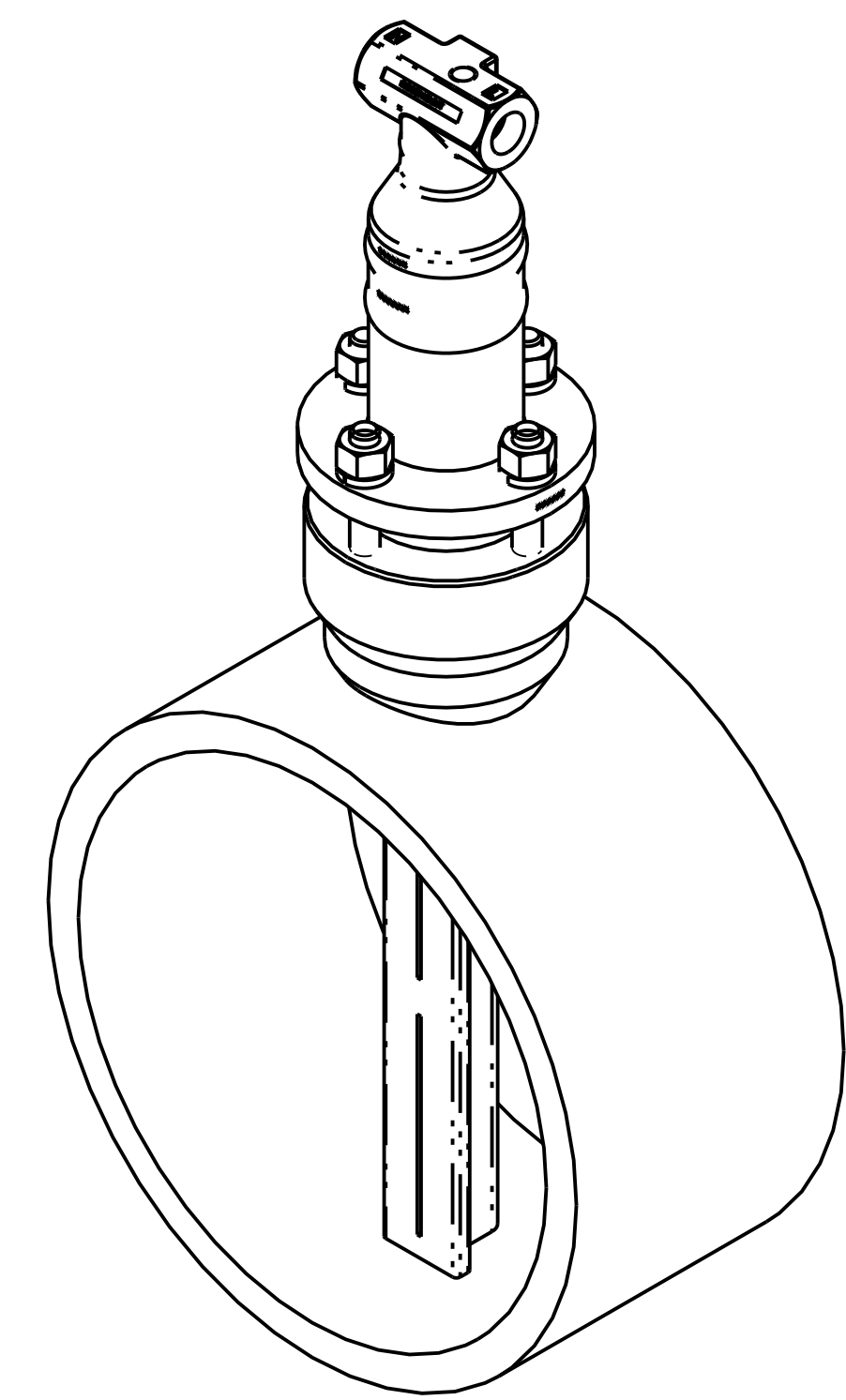
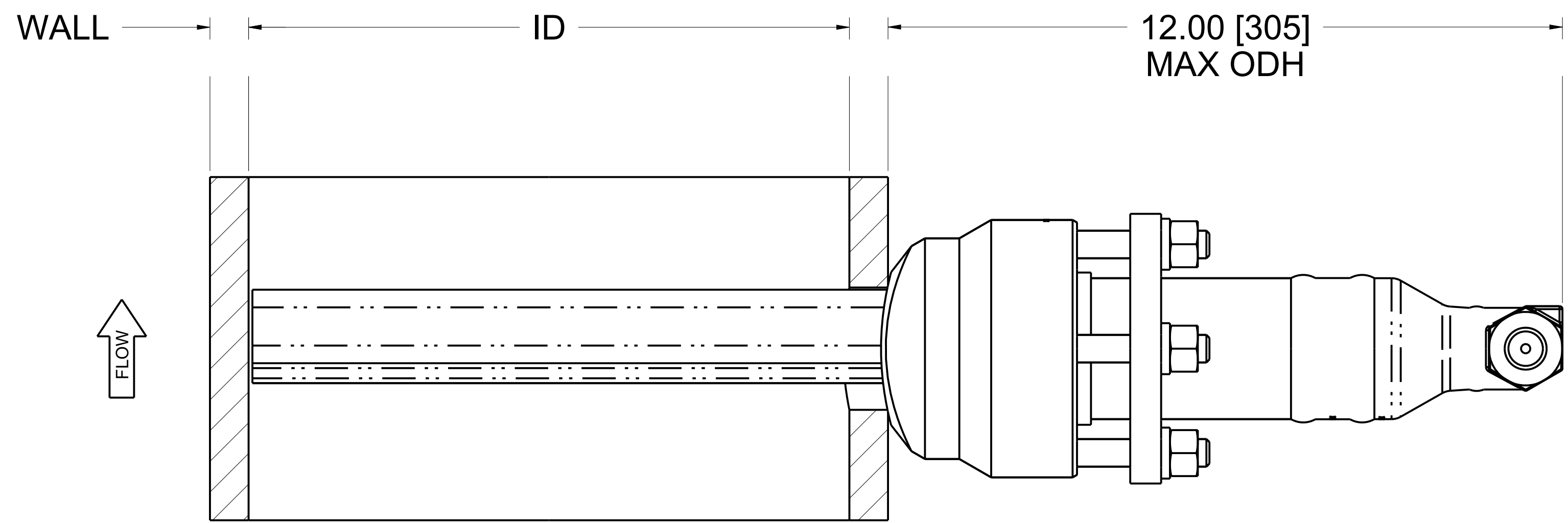
TITLE: ROSEMOUNT DIMENSIONAL DRAWING FOR MODEL  
3051SFA PAK-LOK MOUNTING TYPE SENSOR SIZE 3

DR.	SGE	06/10/15	DRAWING NO.	
APPD	JR	06/10/15		00485-1006
CAD MAINTAINED, (PROE)			SHEET 6 OF 15	

3RD ANGLE  SIZE D SCALE NTS

1 2 3 4 5 6 7 8 9 10 11 12 13 14 15 16

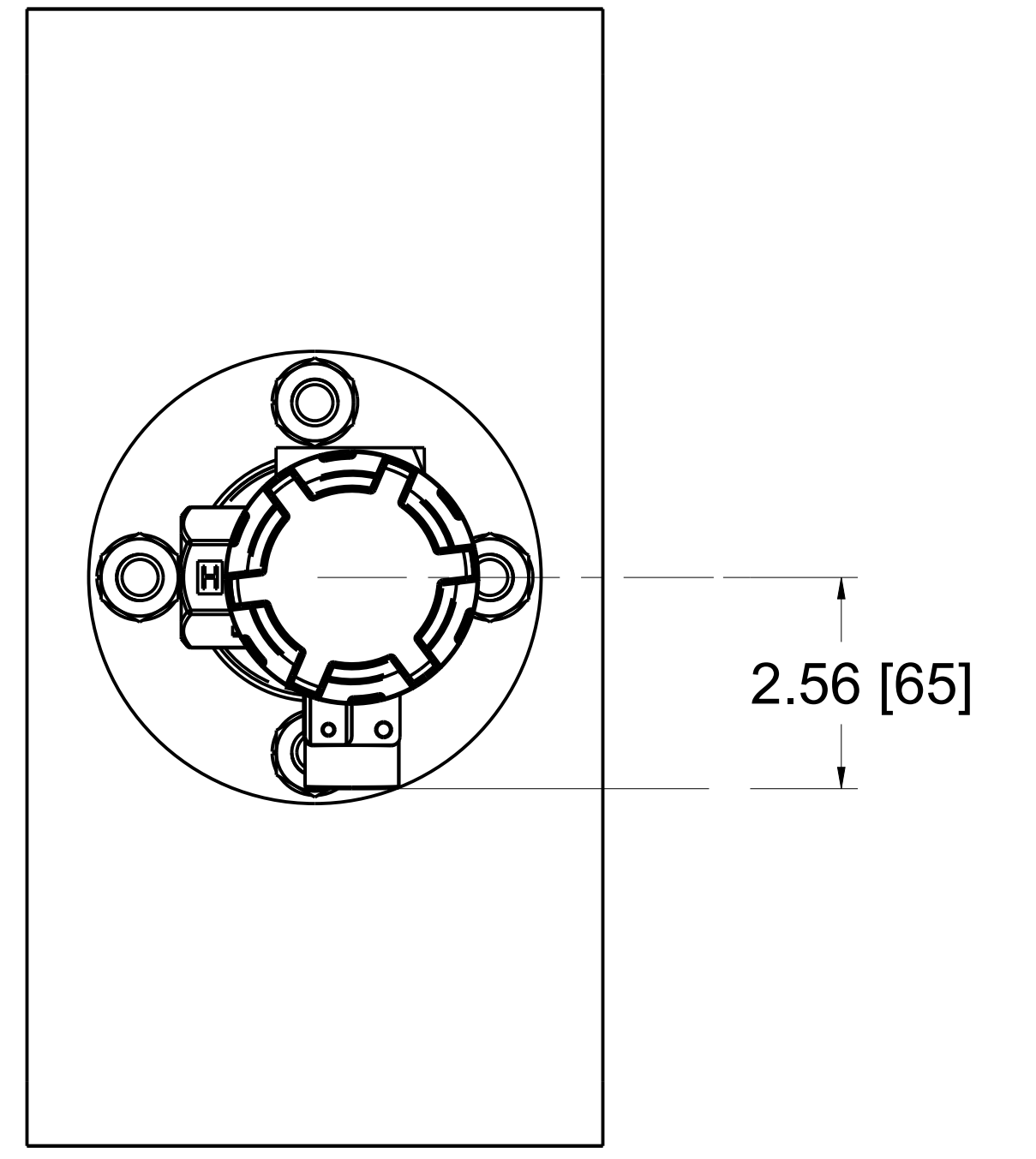
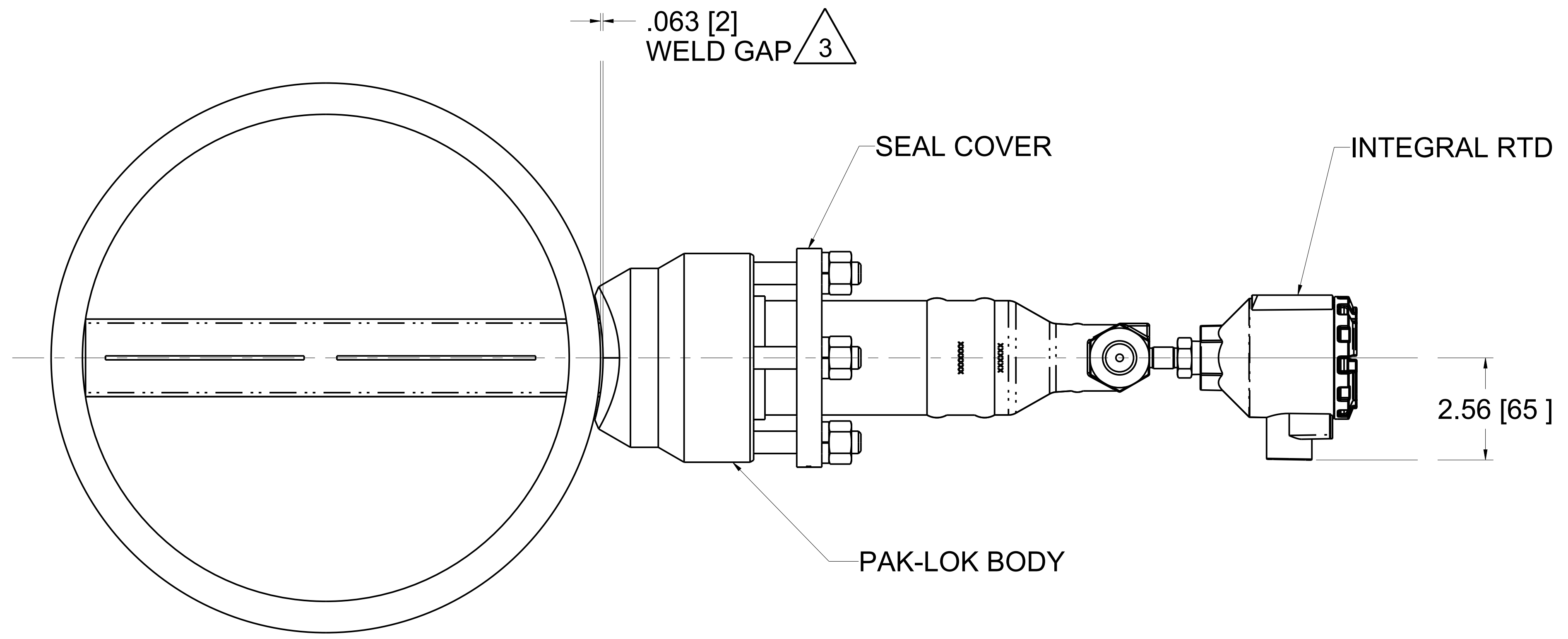
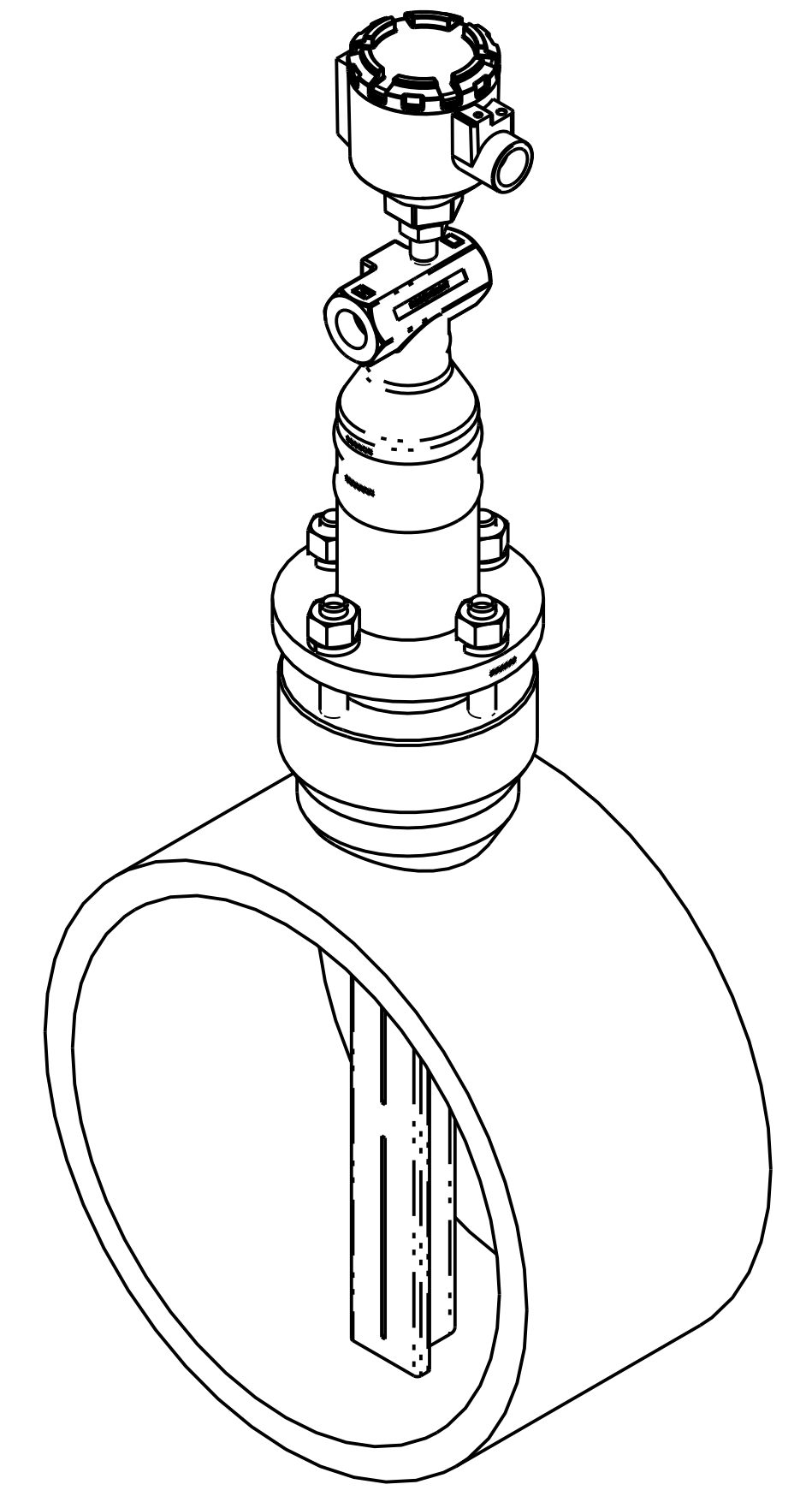
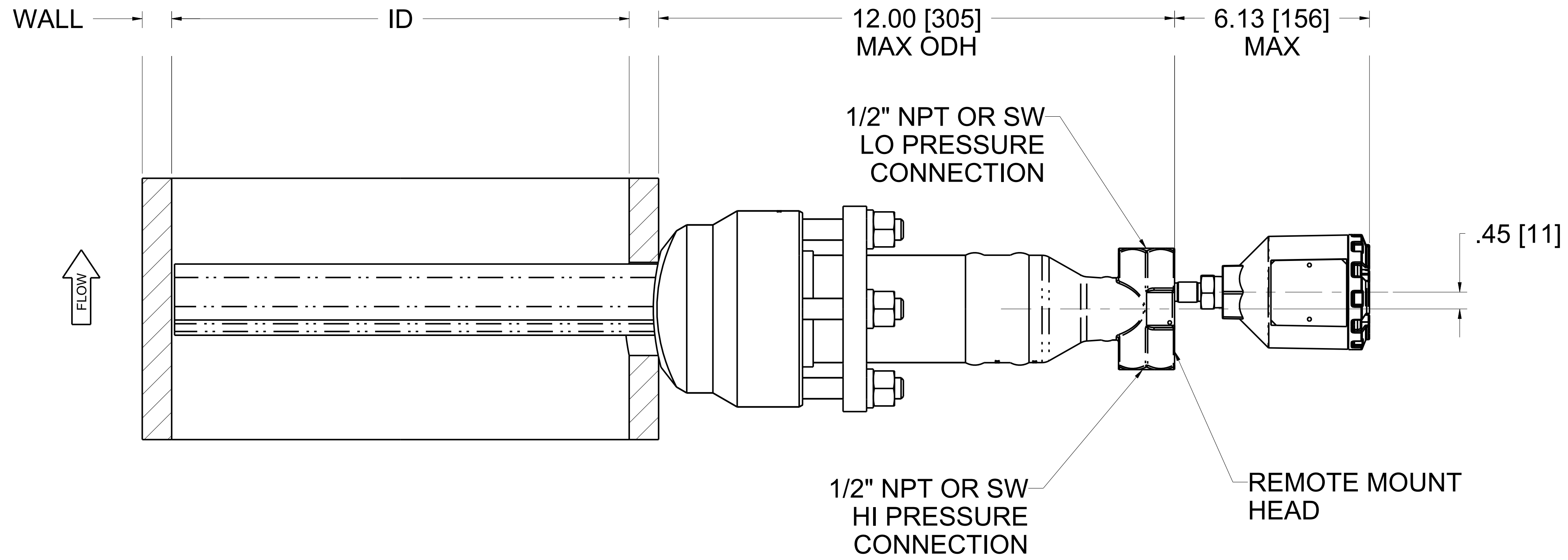
A B C D E F G H J K L M



**ELECTRONICS CONNECTION PLATFORM  
REMOTE MOUNT, 1/2" CONNECTIONS,  
VERTICAL**

<small>©2015 ROSEMOUNT INC. ROSEMOUNT INC. CERTIFIES THIS DIMENSIONAL DRAWING IN ACCORDANCE WITH ROSEMOUNT ENGINEERING SPECIFICATIONS. UNIT NOTES IN INCHES (mm). REFERENCE ROSEMOUNT PRODUCT SPECIFICATIONS. CLICK HERE</small>	<b>EMERSON</b>		3RD ANGLE	SIZE D	SCALE NTS
	<small>TITLE: ROSEMOUNT DIMENSIONAL DRAWING FOR MODEL 3051SFA PAK-LOK MOUNTING TYPE SENSOR SIZE 3</small>				
	DR.	SGE	06/10/15	DRAWING NO.	00485-1006
	APPD	JR	06/10/15		
<small>CAD MAINTAINED, (PRO/E)</small>				<small>SHEET 7 OF 15</small>	

Electronic Master - Printed Copies Uncontrolled - Rosemount Proprietary



ELECTRONICS CONNECTION PLATFORM  
 REMOTE MOUNT, 1/2" CONNECTIONS,  
 INTEGRAL RTD, HORIZONTAL

©2015 ROSEMOUNT INC.  
 ROSEMOUNT INC. CERTIFIES  
 THIS DRAWING IS MADE IN  
 ACCORDANCE WITH  
 ROSEMOUNT ENGINEERING  
 SPECIFICATIONS.  
 UNIT NOTES IN INCHES (mm).

REFERENCE ROSEMOUNT  
 PRODUCT SPECIFICATIONS.  
 CLICK HERE

EMERSON

TITLE: ROSEMOUNT DIMENSIONAL DRAWING FOR MODEL  
 3051SFA PAK-LOK MOUNTING TYPE SENSOR SIZE 3

DR: SGE 06/10/15 DRAWING NO. 00485-1006

APPD: JR 06/10/15

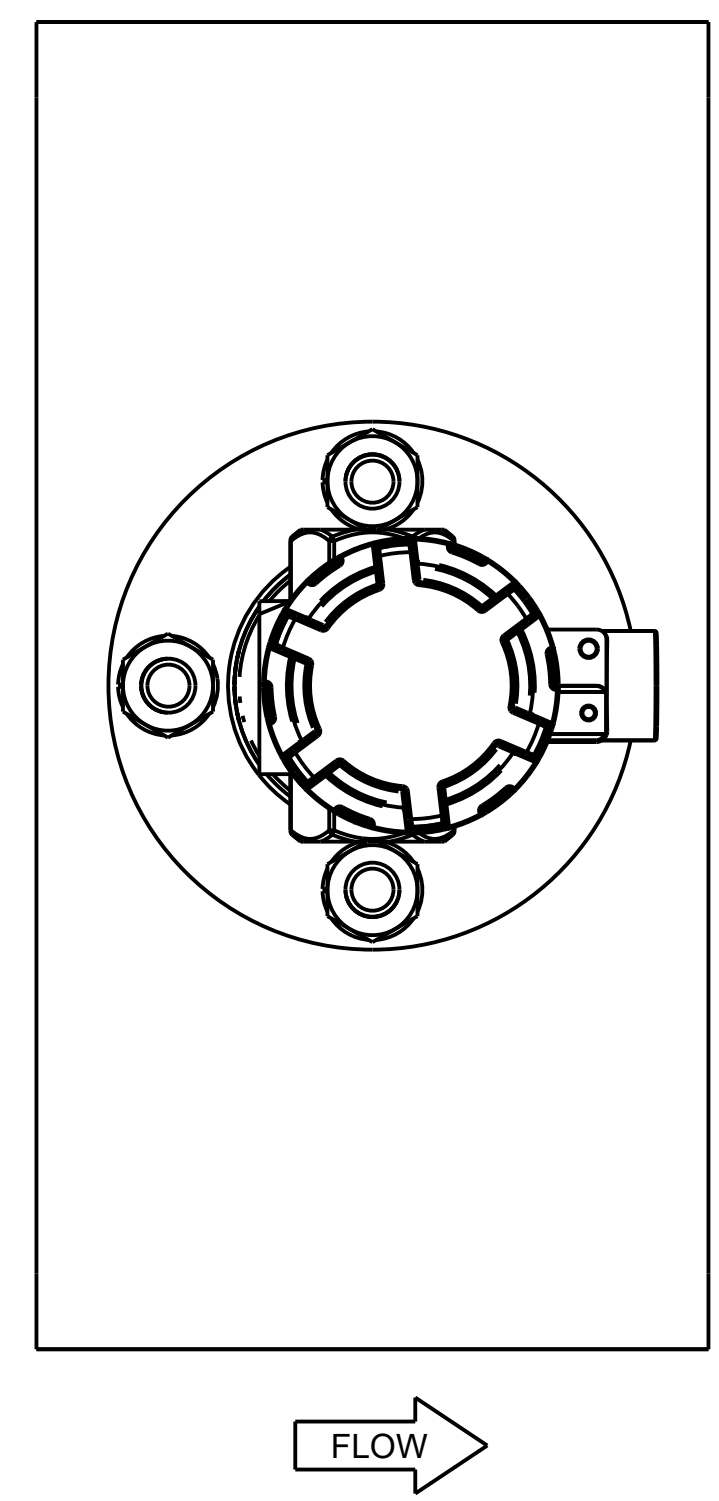
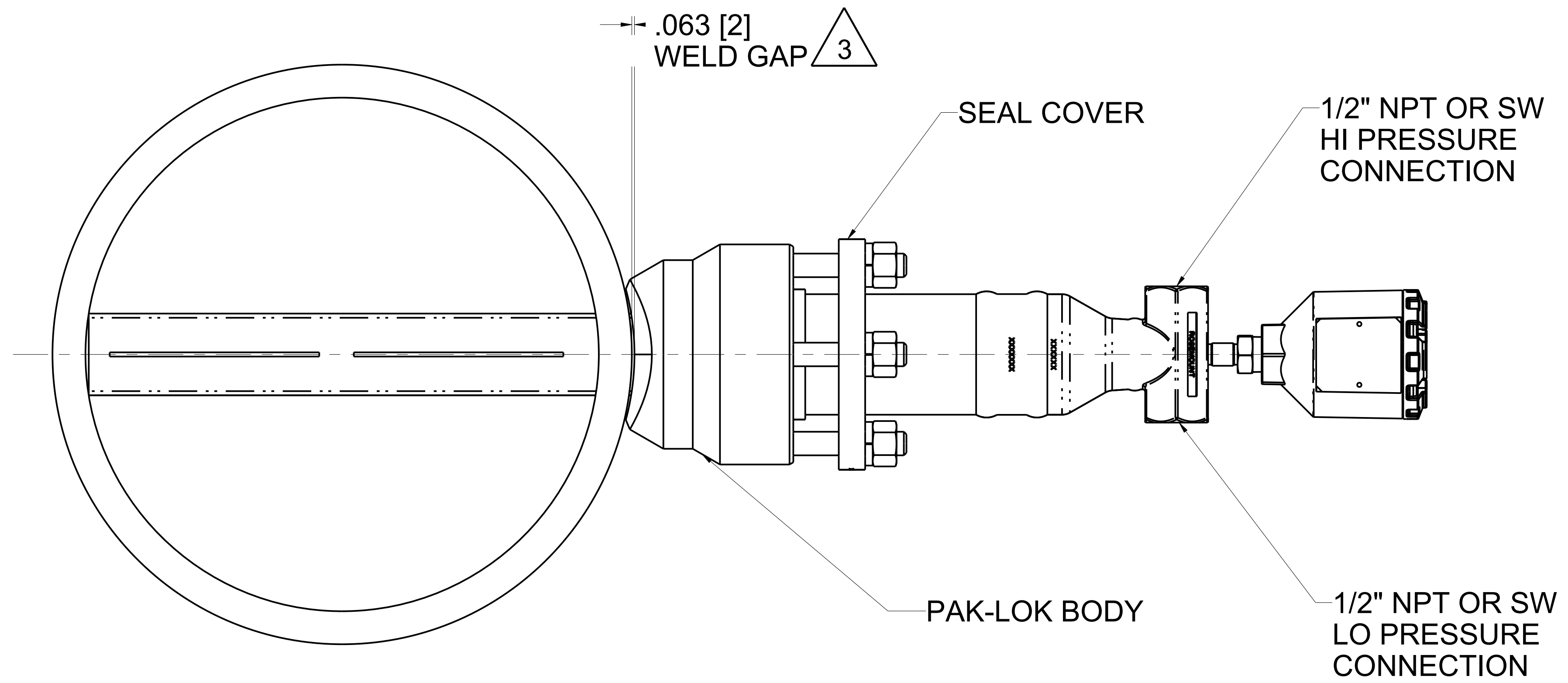
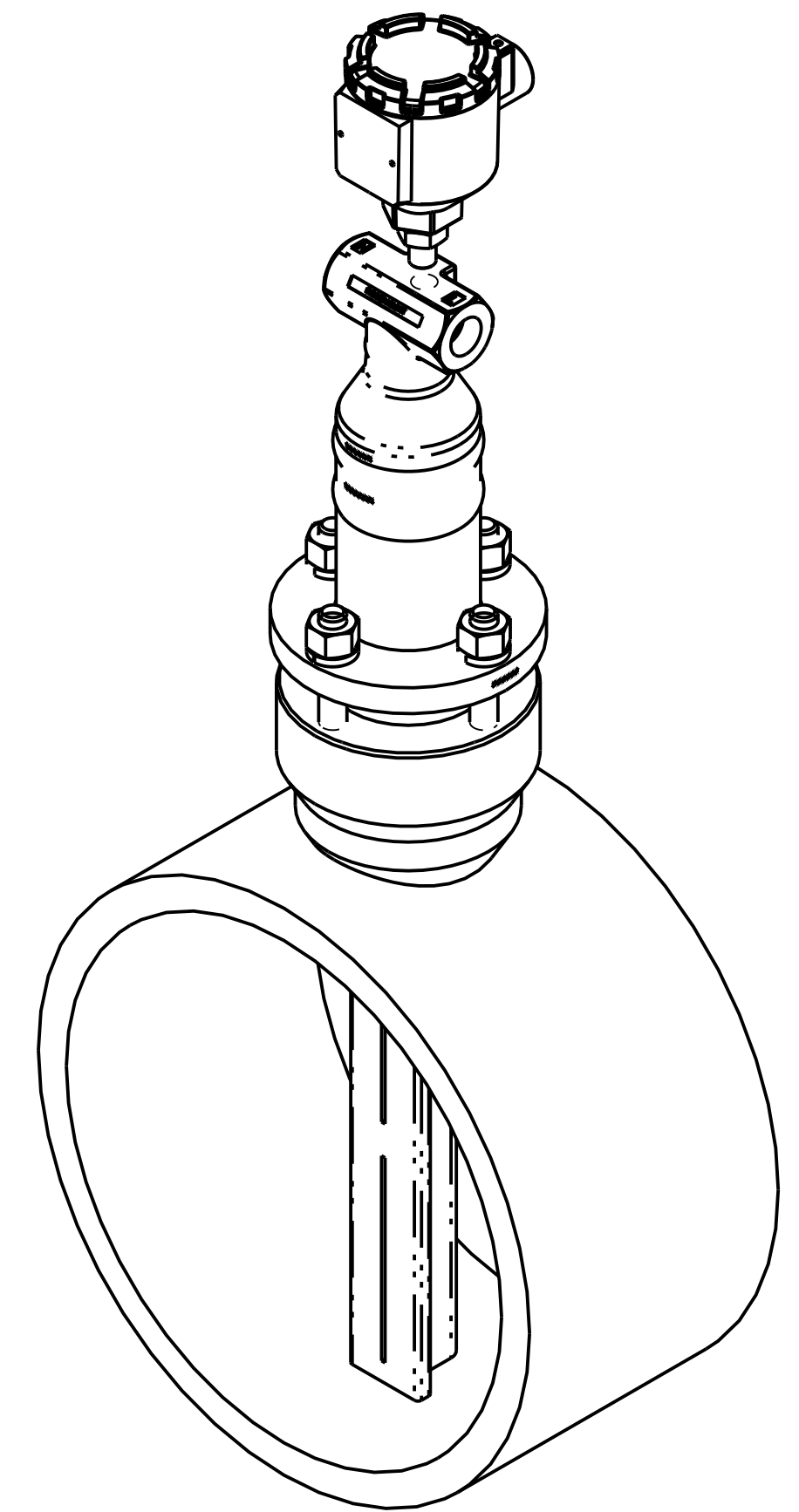
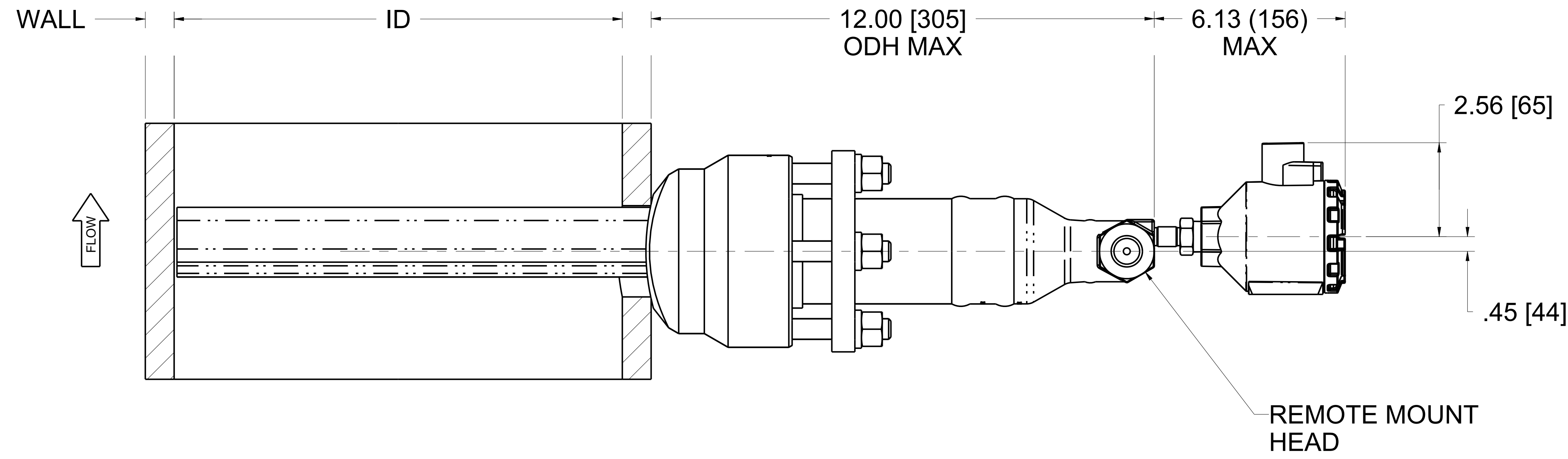
CAD MAINTAINED, (PROE) SHEET 8 OF 15

Electronic Master - Printed Copies Uncontrolled - Rosemount Proprietary



1 2 3 4 5 6 7 8 9 10 11 12 13 14 15 16

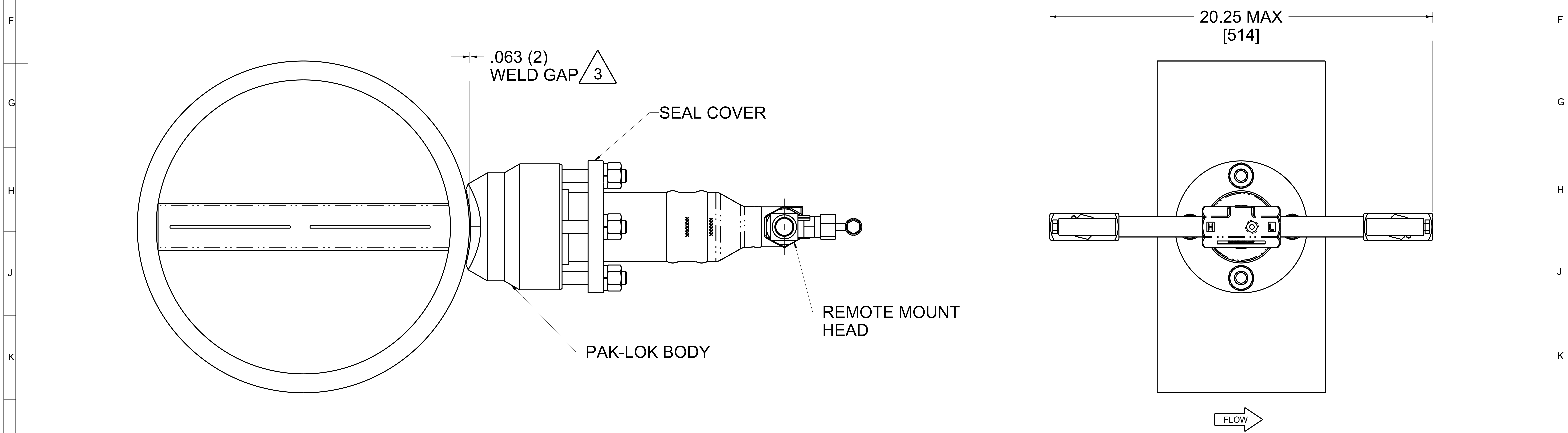
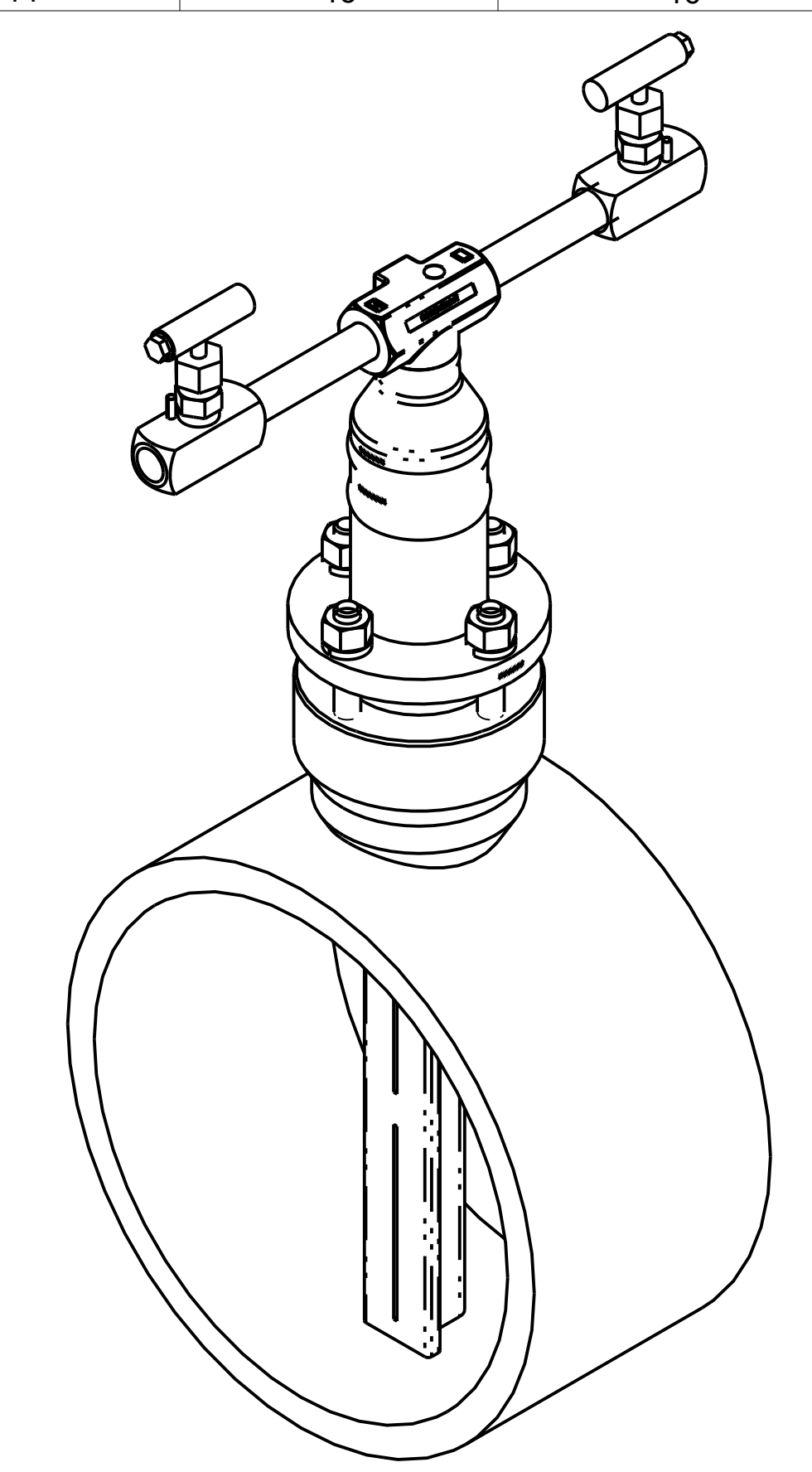
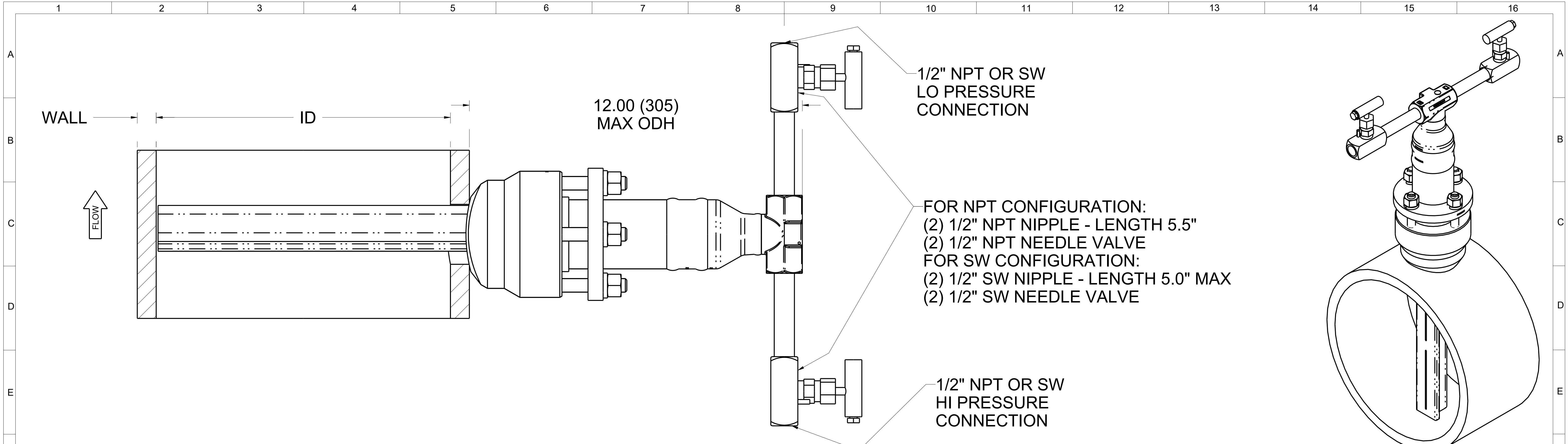
A B C D E F G H J K L M



**ELECTRONICS CONNECTION PLATFORM  
REMOTE MOUNT, 1/2" CONNECTIONS,  
INTEGRAL RTD, VERTICAL**

<small>©2015 ROSEMOUNT INC. ROSEMOUNT INC. CERTIFIES THIS DRAWING TO BE IN ACCORDANCE WITH ROSEMOUNT ENGINEERING SPECIFICATIONS. UNIT NOTES IN INCHES (mm). REFERENCE ROSEMOUNT PRODUCT SPECIFICATIONS. CLICK HERE</small>	<b>EMERSON</b>		3RD ANGLE	SIZE D	SCALE NTS	
	<small>TITLE: ROSEMOUNT DIMENSIONAL DRAWING FOR MODEL 3051SFA PAK-LOK MOUNTING TYPE SENSOR SIZE 3</small>					
	DR.	SGE	06/10/15	DRAWING NO.	00485-1006	
	APPD	JR	06/10/15	CAD MAINTAINED, (PROE) SHEET 9 OF 15		

Electronic Master - Printed Copies Uncontrolled - Rosemount Proprietary



NOTE: THIS SHEET ONLY

1. MODEL SHOWN IS FOR HORIZONTAL APPLICATIONS. FOR VERTICAL FLOW, THE REMOTE MOUNT HEAD IS ROTATED 90 DEGREES.
2. NIPPLES AND INSTRUMENT VALVES ARE SHIPPED UNASSEMBLED.

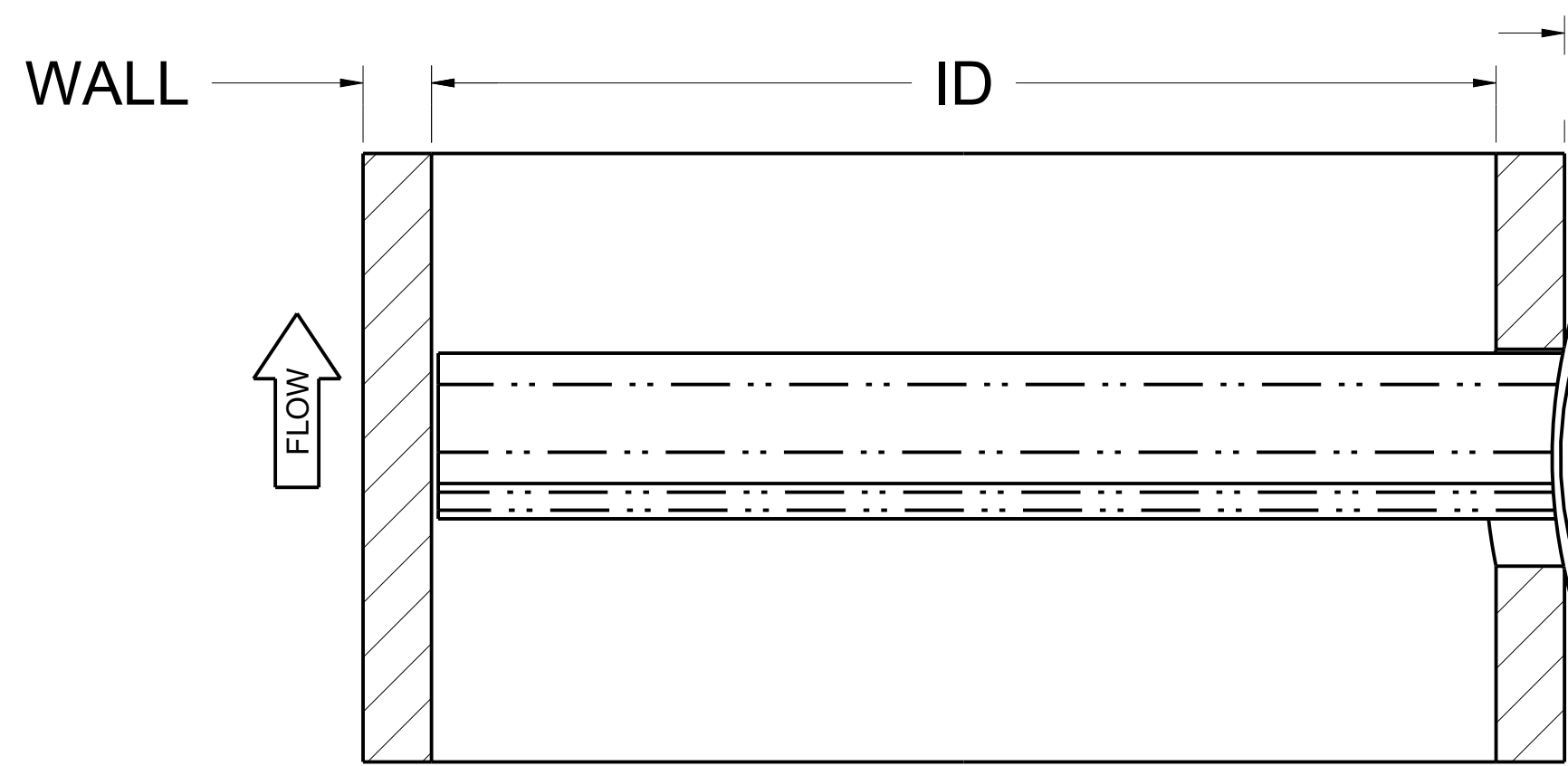
REMOTE MOUNT OPTION  
NEEDLE VALVE  
FOR GAS, LIQUID AND STEAM

<small>©2015 ROSEMOUNT INC. ROSEMOUNT INC. CERTIFIES THIS DRAWING AS BEING IN ACCORDANCE WITH ROSEMOUNT ENGINEERING SPECIFICATIONS. UNIT NOTES IN INCHES (mm). REFERENCE ROSEMOUNT PRODUCT SPECIFICATIONS. CLICK HERE</small>	3RD ANGLE		D	SCALE NTS
	<b>EMERSON</b>			
	TITLE: ROSEMOUNT DIMENSIONAL DRAWING FOR MODEL 3051SFA PAK-LOK MOUNTING TYPE SENSOR SIZE 3			
	DR. SGE	06/10/15	DRAWING NO.	00485-1006
APPD. JR	06/10/15			SHEET 10 OF 15
CAD MAINTAINED, (PRO/E)				

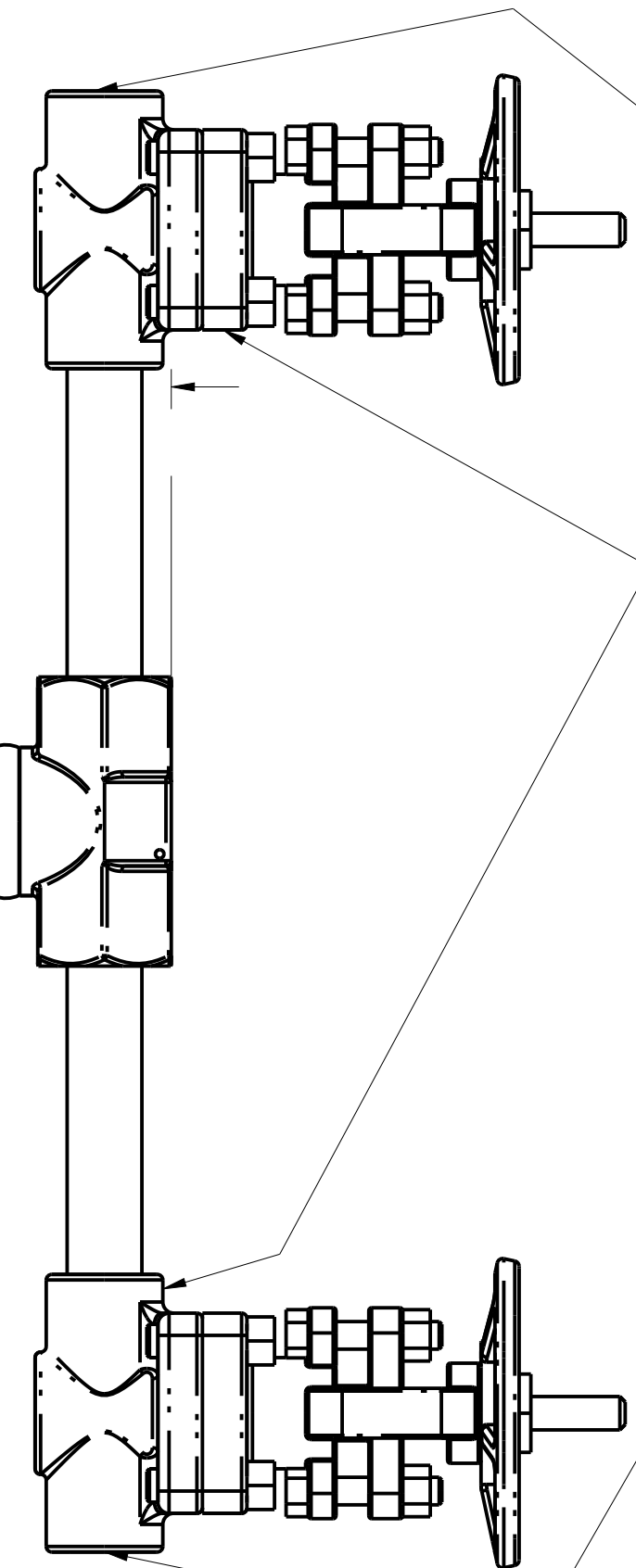
Electronic Master - Printed Copies Uncontrolled - Rosemount Proprietary

1 2 3 4 5 6 7 8 9 10 11 12 13 14 15 16

A B C D E F G H J K L M



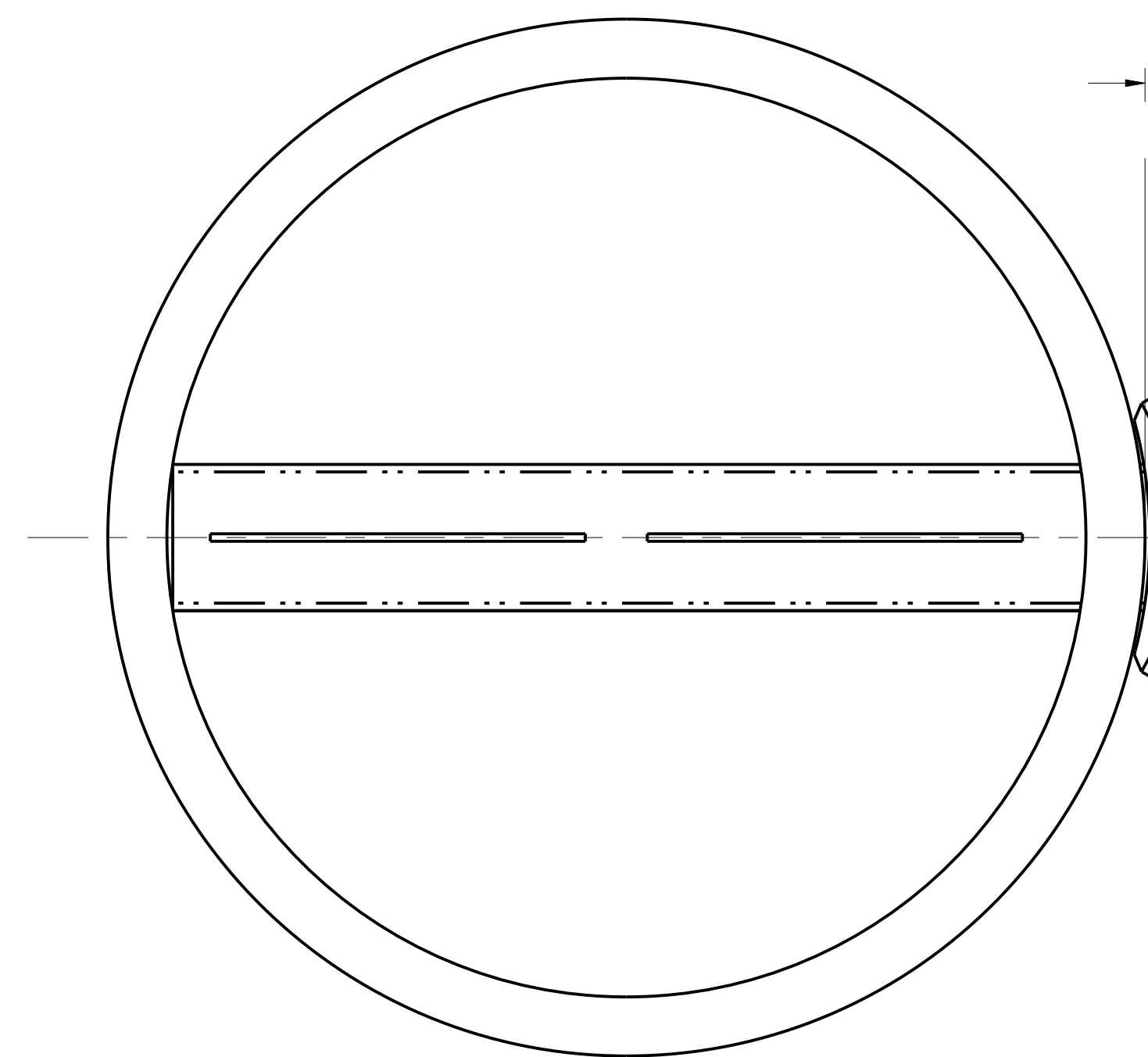
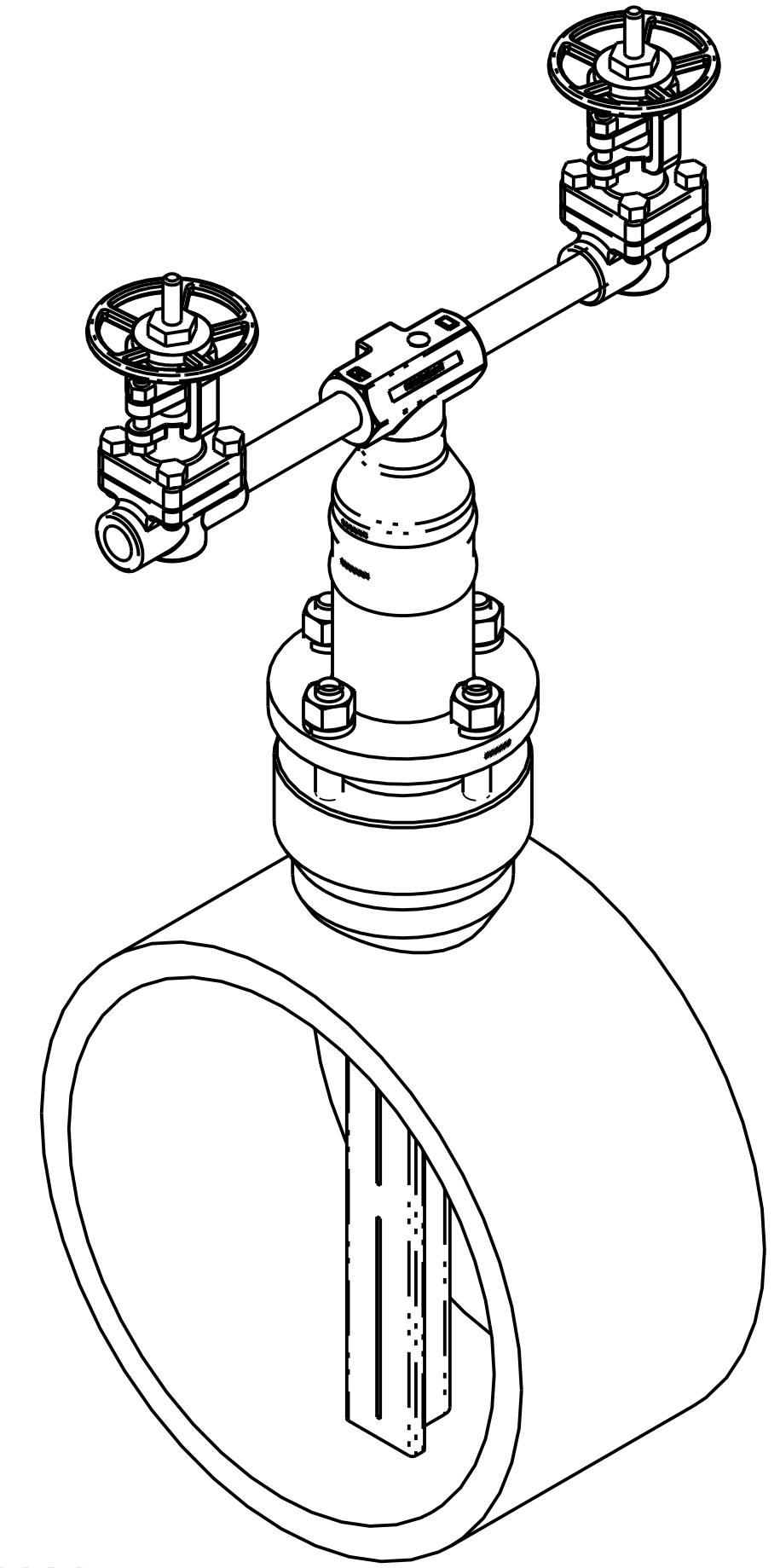
12.00 (305)  
MAX ODH



1/2" NPT OR SW  
LO PRESSURE  
CONNECTION

FOR NPT CONFIGURATION:  
(2) 1/2" NPT NIPPLE - LENGTH 5.5"  
(2) 1/2" NPT OS&Y GATE VALVE  
FOR SW CONFIGURATION:  
(2) 1/2" SW NIPPLE - LENGTH 5.0" MAX  
(2) 1/2" SW OS&Y GATE VALVE

1/2" NPT OR SW  
HI PRESSURE  
CONNECTION



.063 (2)  
WELD GAP  $\triangle$  3

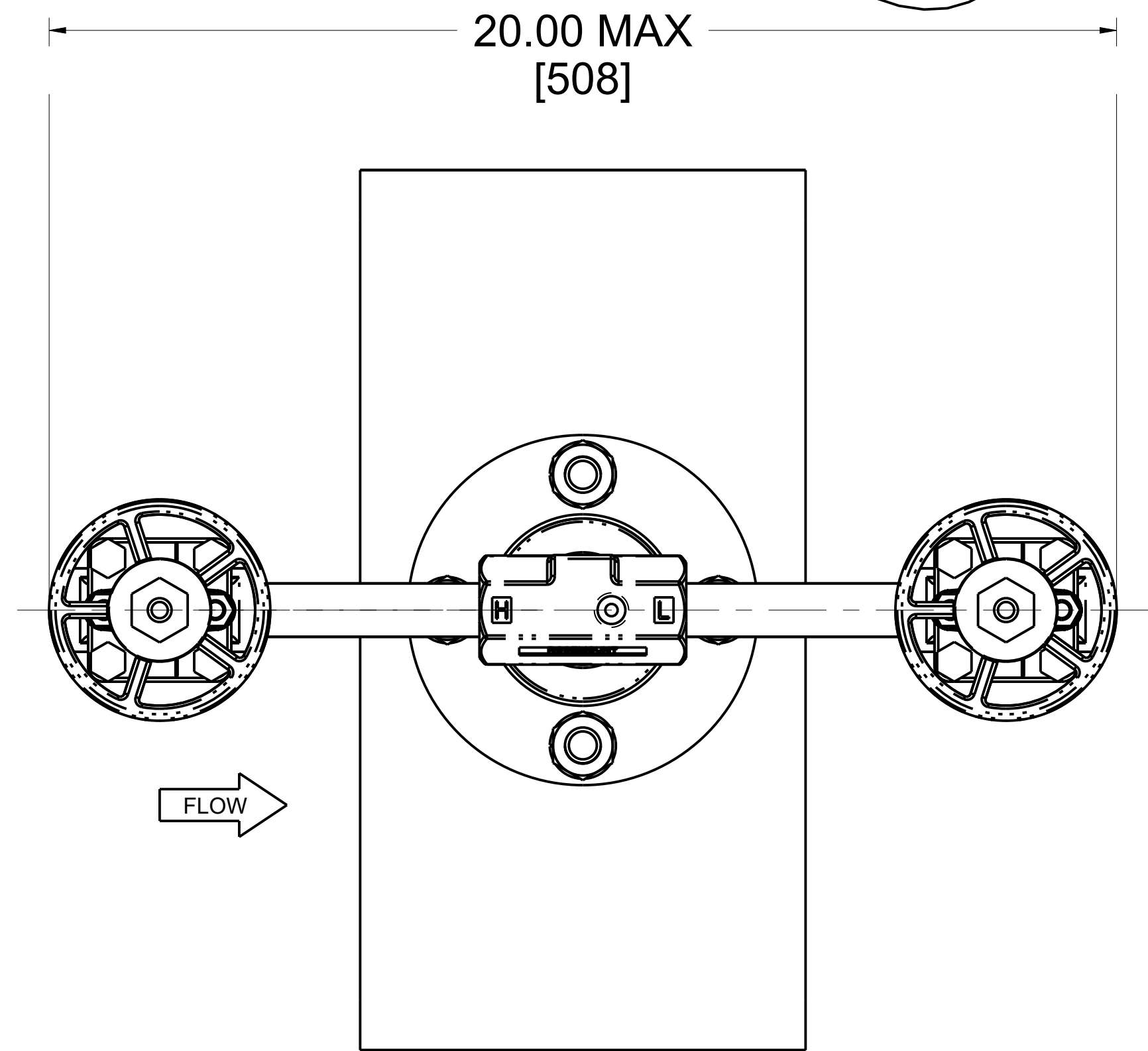
SEAL COVER

6.38 [162]  
MAX

2.00 [51]

PAK-LOK BODY

REMOTE MOUNT  
HEAD



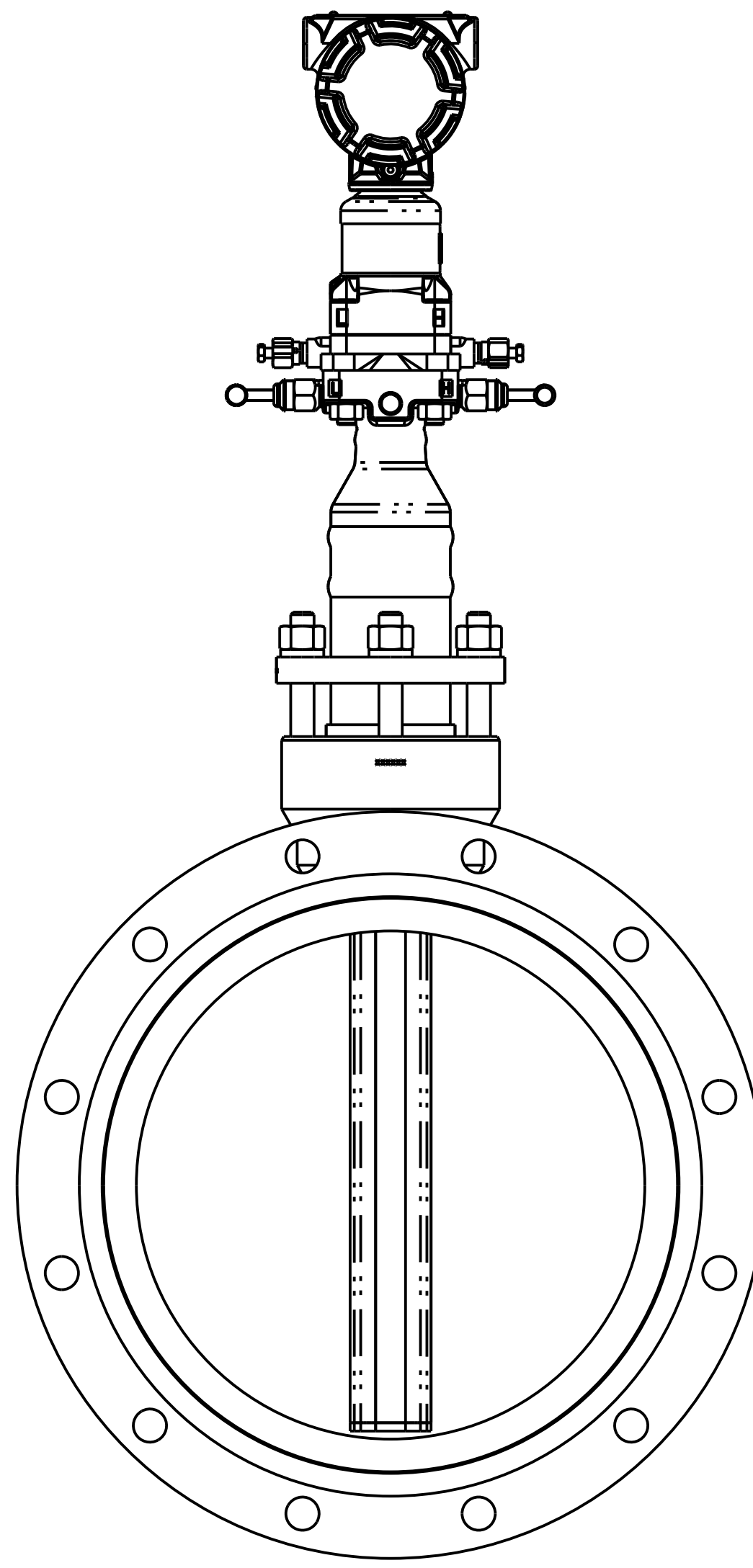
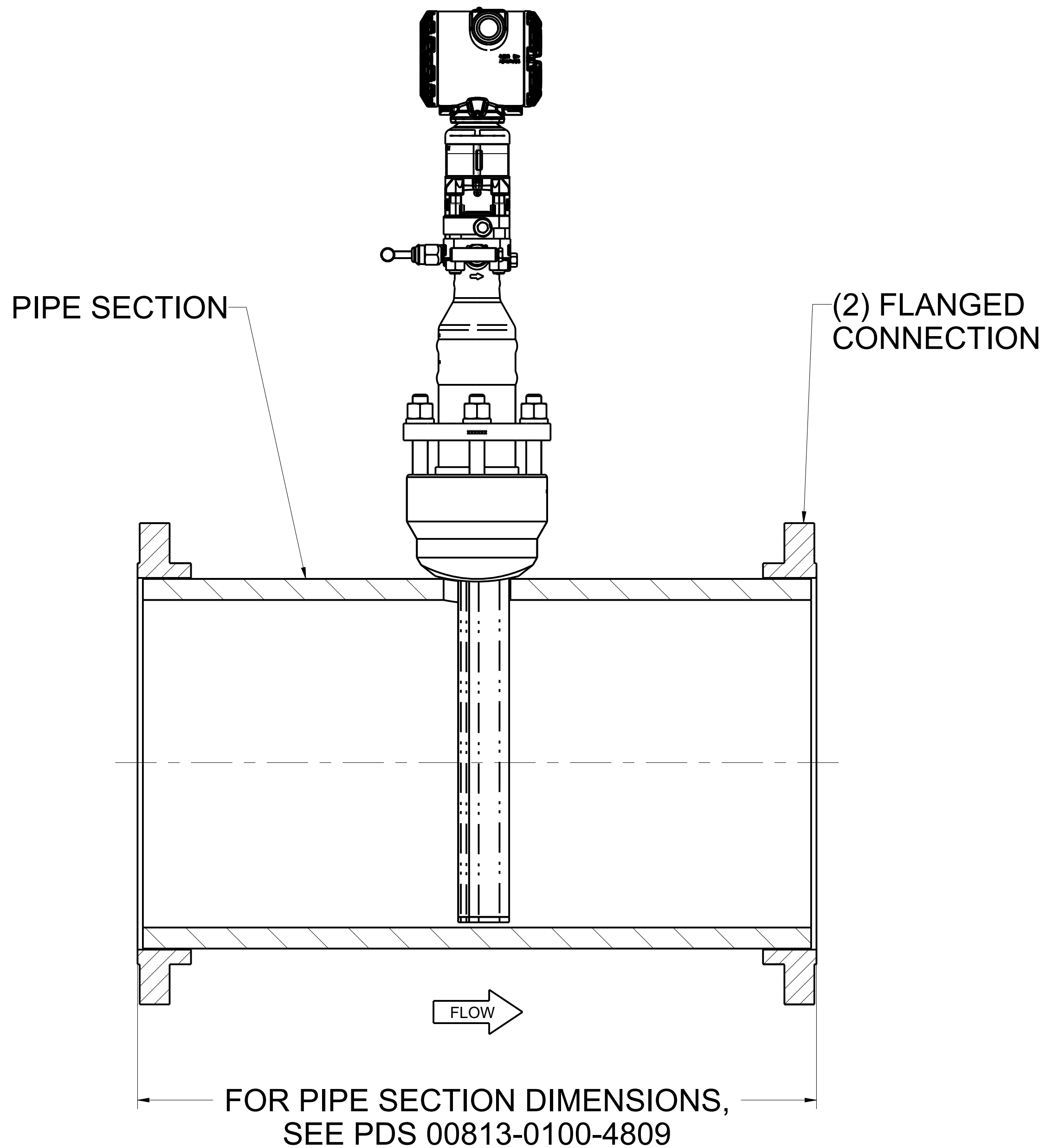
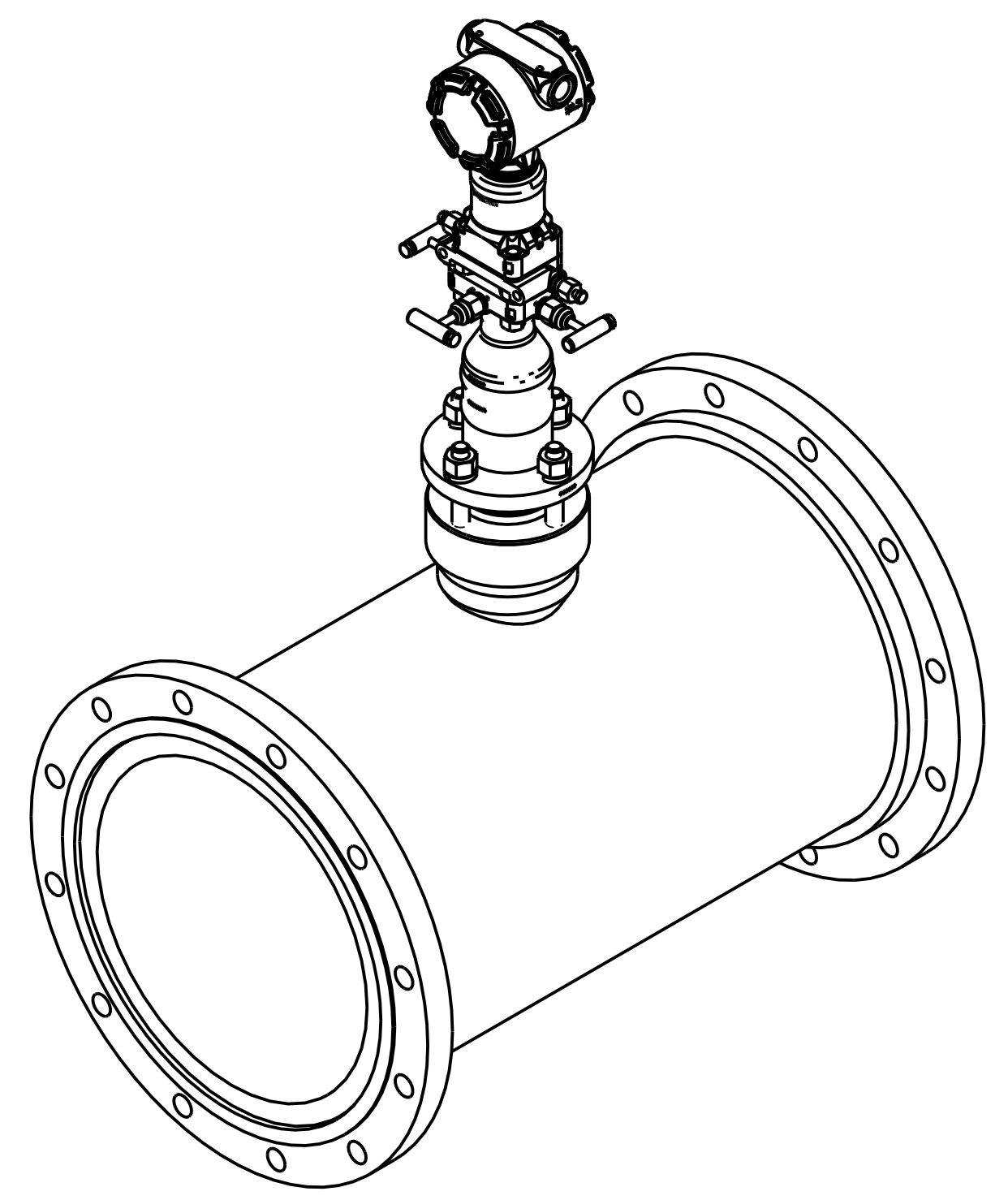
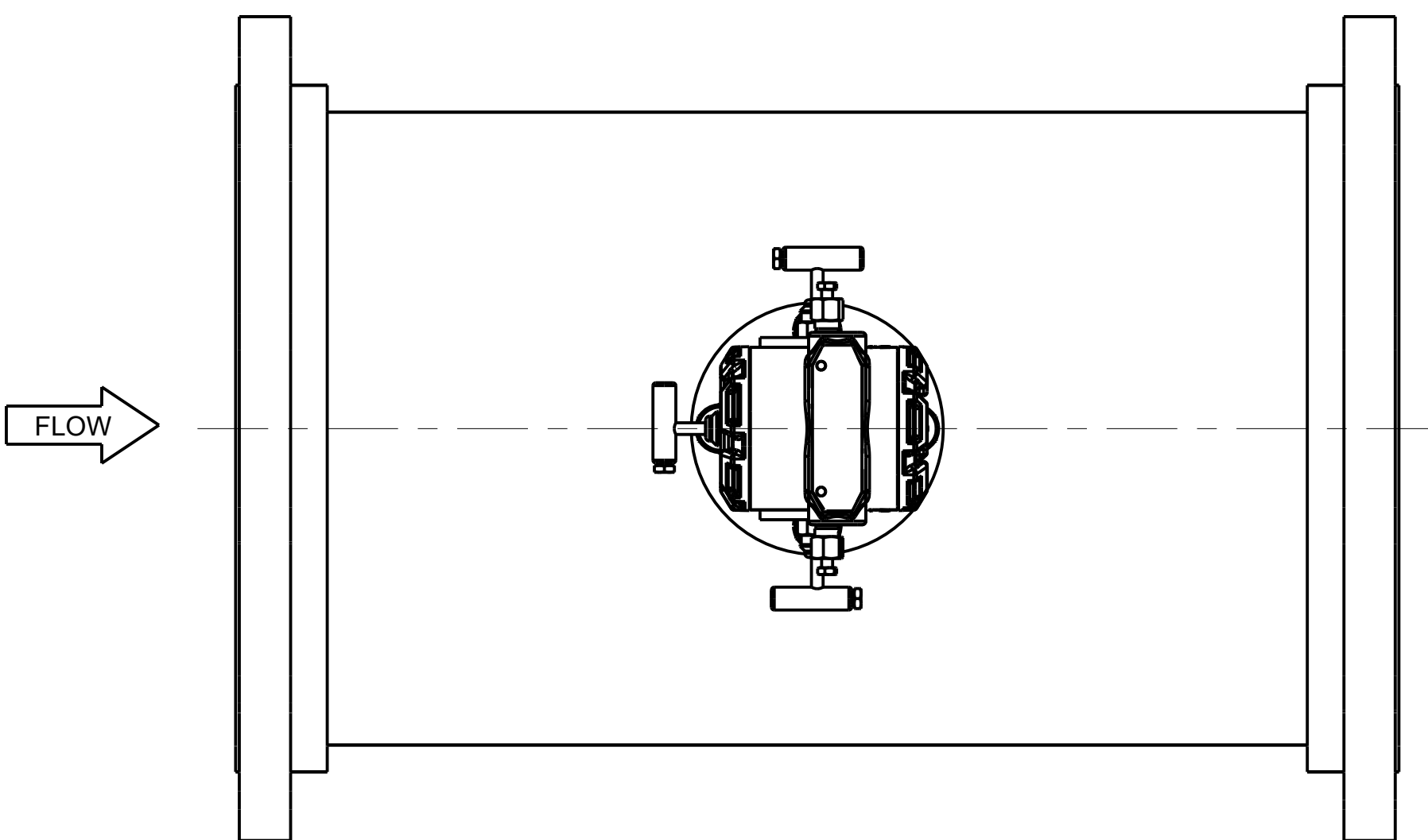
NOTE: THIS SHEET ONLY

1. MODEL SHOWN IS FOR HORIZONTAL APPLICATIONS. FOR VERTICAL FLOW, THE REMOTE MOUNT HEAD IS ROTATED 90 DEGREES.
2. NIPPLES AND INSTRUMENT VALVES ARE SHIPPED UNASSEMBLED.

REMOTE MOUNT OPTION  
OS&Y GATE VALVE  
FOR GAS, LIQUID OR STEAM

<small>©2015 ROSEMOUNT INC. ROSEMOUNT INC. CERTIFIES THIS DRAWING TO BE IN ACCORDANCE WITH ROSEMOUNT ENGINEERING SPECIFICATIONS. UNIT NOTES IN INCHES (mm). REFERENCE ROSEMOUNT PRODUCT SPECIFICATIONS. CLICK HERE</small>			<small>3RD ANGLE</small> 	<small>SIZE</small> D	<small>SCALE</small> NTS	
	<small>TITLE</small> ROSEMOUNT DIMENSIONAL DRAWING FOR MODEL 3051SFA PAK-LOK MOUNTING TYPE SENSOR SIZE 3					
	<small>DR.</small> SGE	<small>DATE</small> 06/10/15	<small>DRAWING NO.</small>	<small>00485-1006</small>		
	<small>APPD</small> JR	<small>DATE</small> 06/10/15	<small>CAD MAINTAINED, (PROE)</small>			<small>SHEET 11 OF 15</small>

Electronic Master - Printed Copies Uncontrolled - Rosemount Proprietary

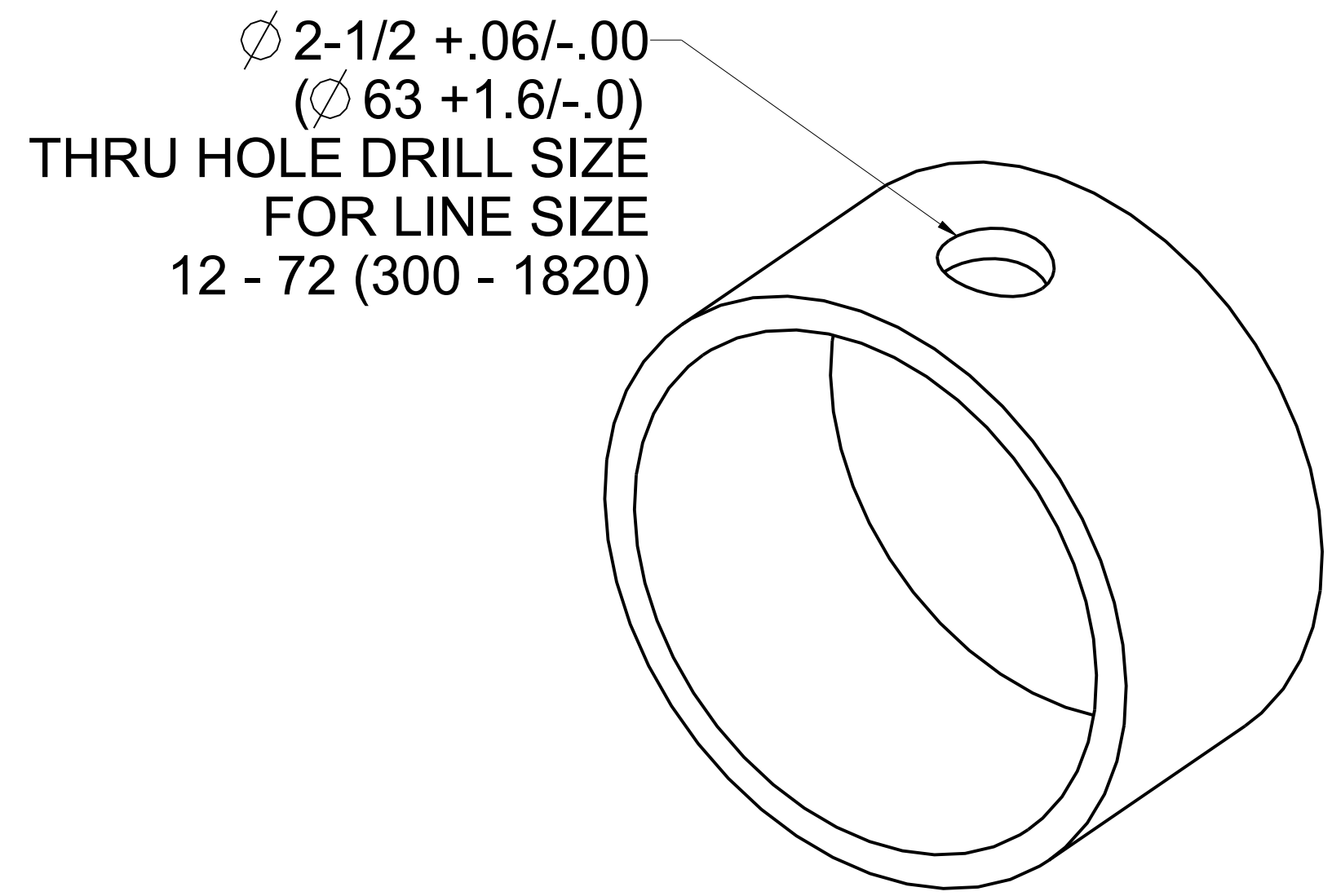
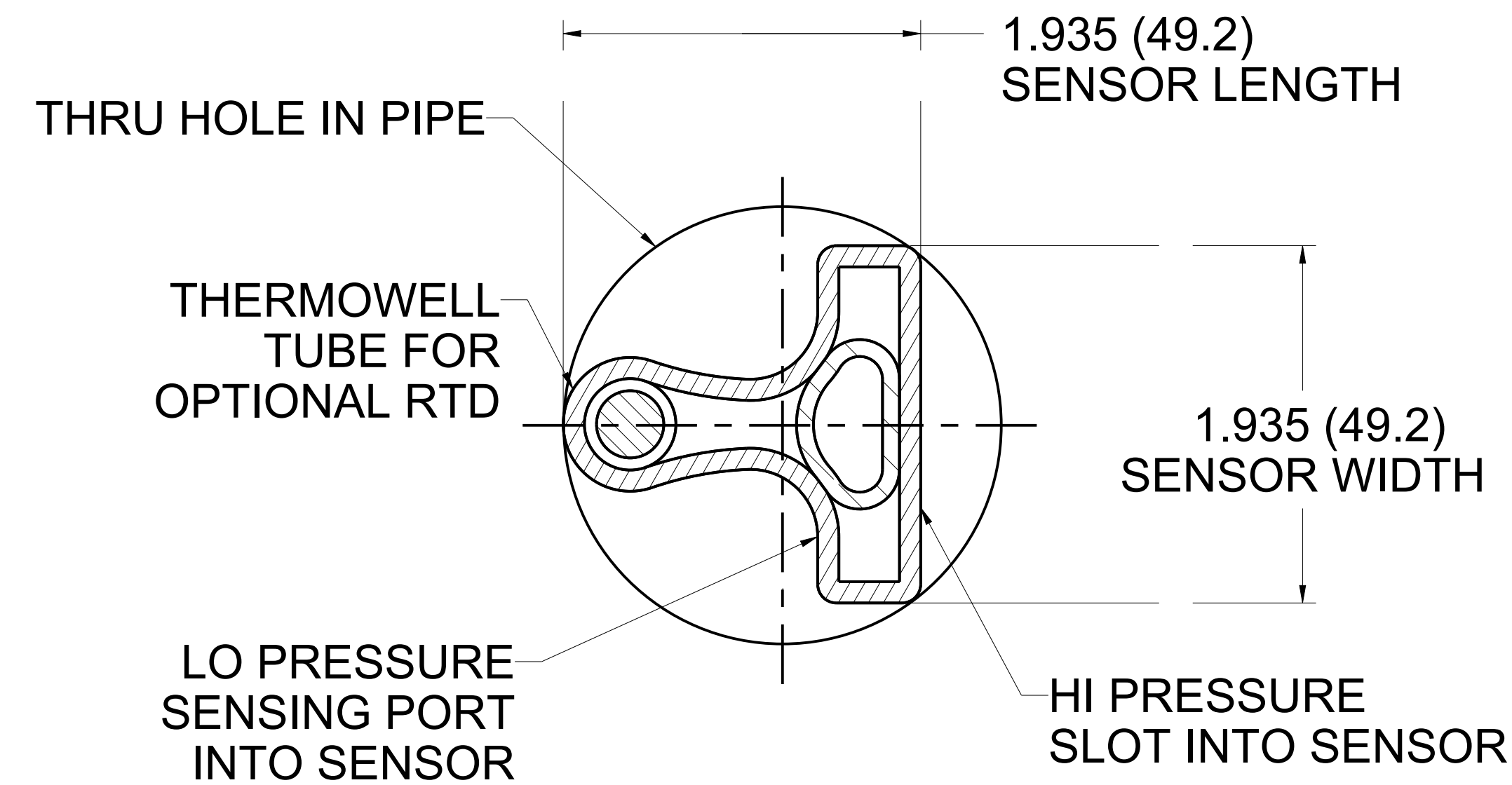
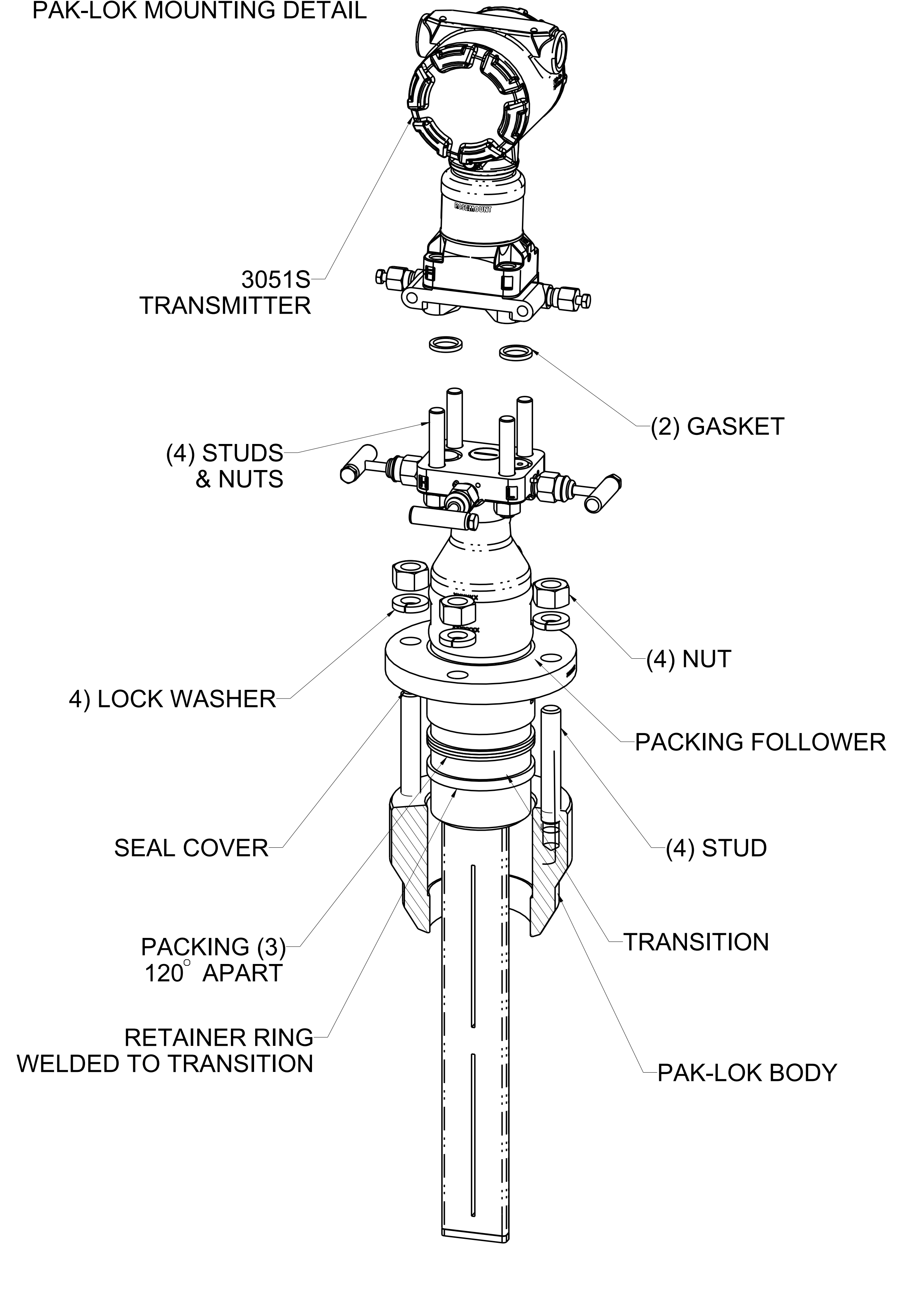


INSTALLED IN FLANGED PIPE SPOOL SECTION

©2015 ROSEMOUNT INC. ROSEMOUNT INC. CERTIFIES THIS DIMENSIONAL DRAWING IS IN ACCORDANCE WITH ROSEMOUNT ENGINEERING SPECIFICATIONS. UNIT NOTES IN INCHES (mm). REFERENCE ROSEMOUNT PRODUCT SPECIFICATIONS. CLICK HERE	3RD ANGLE	SIZE D	SCALE NTS
	TITLE ROSEMOUNT DIMENSIONAL DRAWING FOR MODEL 3051SFA PAK-LOK MOUNTING TYPE SENSOR SIZE 3		
	DR. SGE 06/10/15 APPD. JR 06/10/15	DRAWING NO. 00485-1006	
CAD MAINTAINED, (PROE)		SHEET 12 OF 15	

Electronic Master - Printed Copies Uncontrolled - Rosemount Proprietary

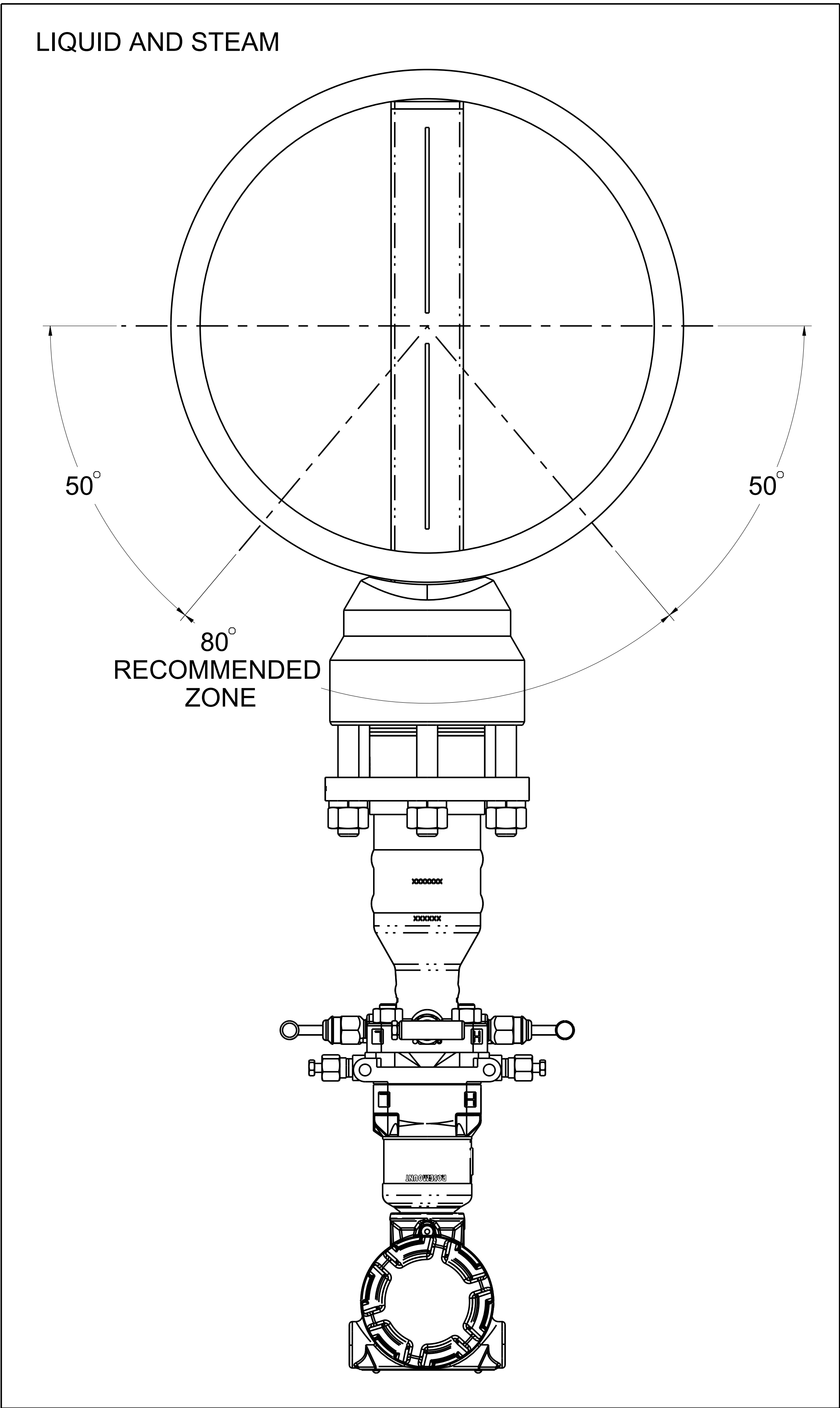
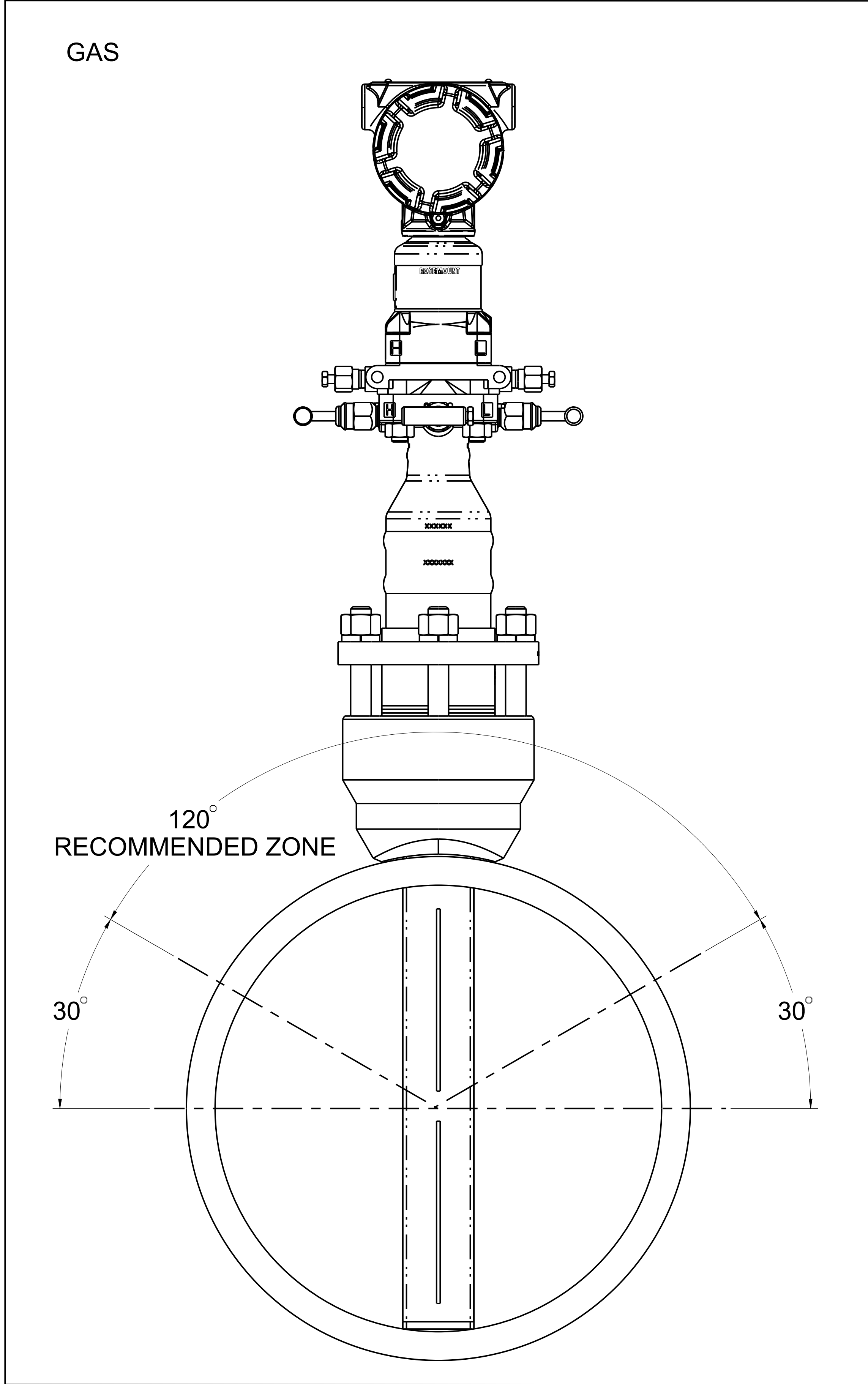
PAK-LOK MOUNTING DETAIL



FOR ACCURATE FLOW MEASUREMENT DETERMINE THE DIAMETER OF THE HOLE TO BE DRILLED ACCORDING TO THE SPECIFICATIONS IN THE SENSOR SIZE HOLE CHART TABLE 4. DRILL THE MOUNTING HOLE INTO THE PIPE WITH A HOLE SAW OR DRILL. DO NOT TORCH CUT THE HOLE

THRU HOLE DRILL DETAIL

©2015 ROSEMOUNT INC. ROSEMOUNT INC. CERTIFIES THIS DIMENSIONAL DRAWING IN ACCORDANCE WITH THE ROSEMOUNT ENGINEERING SPECIFICATIONS. UNIT NOTES IN INCHES (mm). REFERENCE ROSEMOUNT PRODUCT SPECIFICATIONS. CLICK HERE	3RD ANGLE		SIZE D	SCALE NTS
	TITLE: ROSEMOUNT DIMENSIONAL DRAWING FOR MODEL 3051SFA PAK-LOK MOUNTING TYPE SENSOR SIZE 3			
	DR: SGE 06/10/15	DRAWING NO.:	00485-1006	
APPD: JR 06/10/15	CAD MAINTAINED, (PRO/E)			SHEET 13 OF 15



**HORIZONTAL ORIENTATION**

©2015 ROSEMOUNT INC.  
 ROSEMOUNT INC. CERTIFIES  
 THIS DRAWING IS CORRECT  
 IN ACCORDANCE WITH  
 ROSEMOUNT ENGINEERING  
 SPECIFICATIONS.  
 UNIT NOTES IN INCHES (mm).  
 REFERENCE ROSEMOUNT  
 PRODUCT SPECIFICATIONS.  
 CLICK HERE

3RD ANGLE

SIZE D SCALE NTS

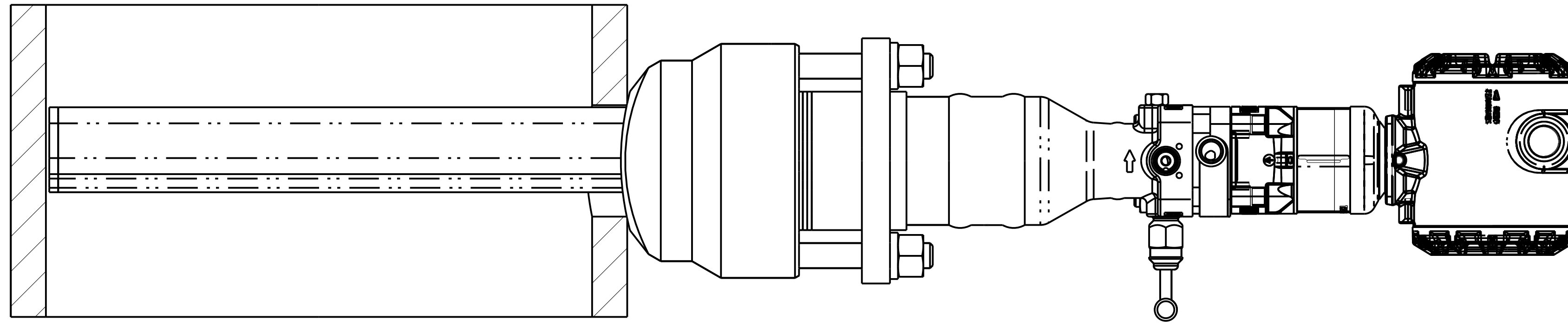
**EMERSON**

TITLE: ROSEMOUNT DIMENSIONAL DRAWING FOR MODEL  
 3051SFA PAK-LOK MOUNTING TYPE SENSOR SIZE 3

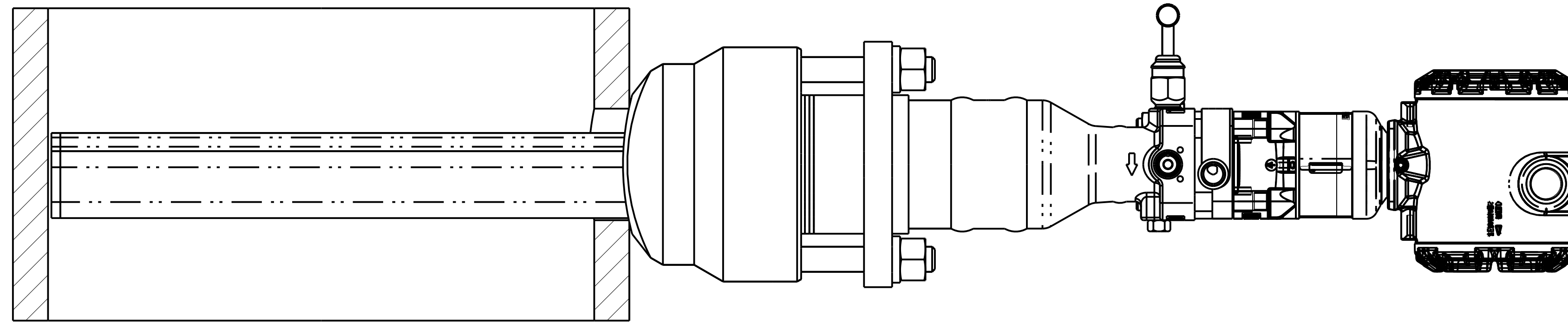
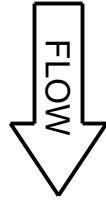
DR.	SGE	06/10/15	DRAWING NO.	
APPD	JR	06/10/15		00485-1006

CAD MAINTAINED, (PROE) SHEET 14 OF 15

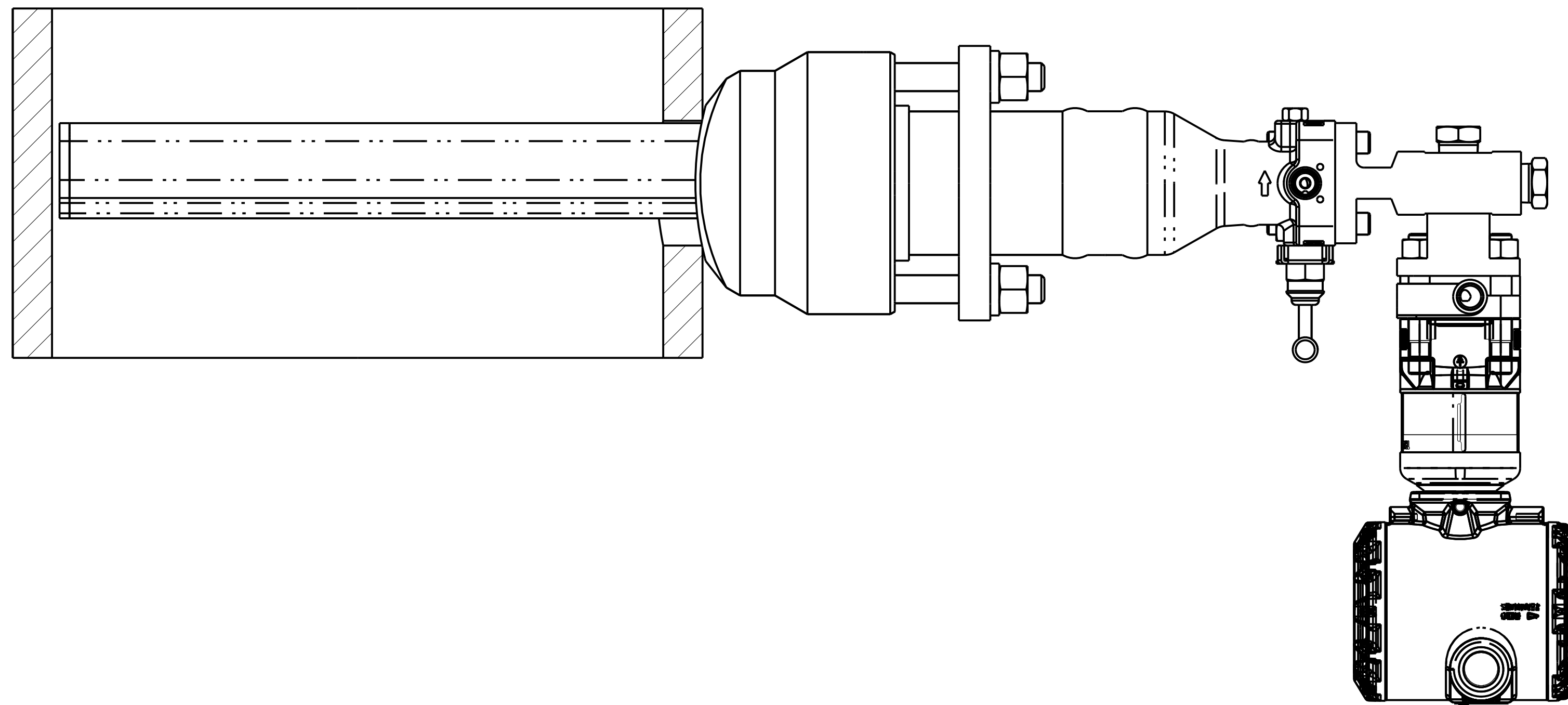
LIQUID AND GAS



GAS



STEAM



VERTICAL ORIENTATION

©2015 ROSEMOUNT INC.  
ROSEMOUNT INC. CERTIFIES  
THIS DRAWING IS MADE  
IN ACCORDANCE WITH  
ROSEMOUNT ENGINEERING  
SPECIFICATIONS.  
UNIT NOTES IN INCHES (mm).  
REFERENCE ROSEMOUNT  
PRODUCT SPECIFICATIONS.  
CLICK HERE

3RD ANGLE

SIZE D SCALE NTS

**EMERSON**

TITLE ROSEMOUNT DIMENSIONAL DRAWING FOR MODEL  
3051SFA PAK-LOK MOUNTING TYPE SENSOR SIZE 3

DR.	SGE	06/10/15	DRAWING NO.	
APPD	JR	06/10/15		00485-1006
CAD MAINTAINED, (PROE)				SHEET 15 OF 15