

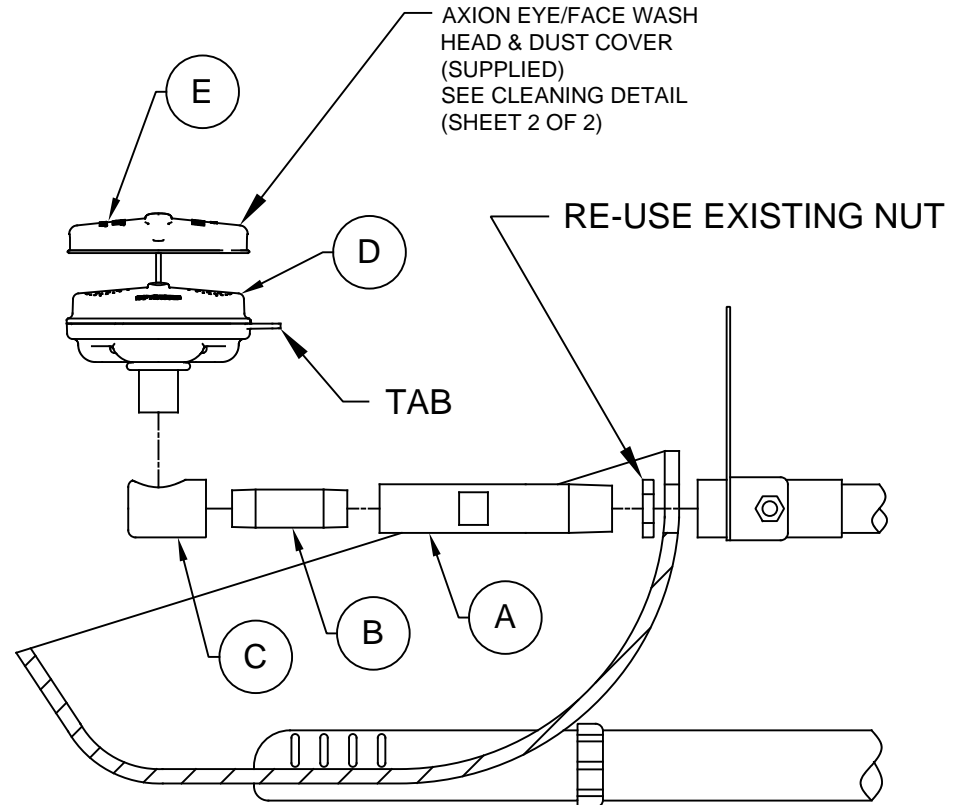
## TO UPGRADE BRADLEY HALO UNITS

### NOTES:

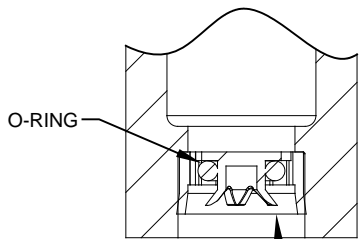
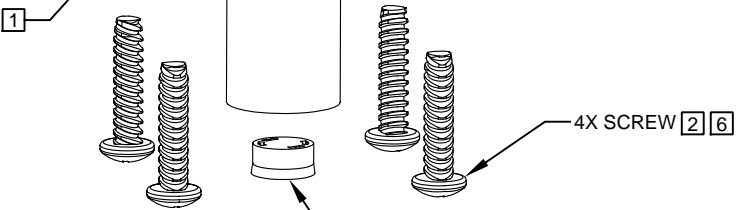
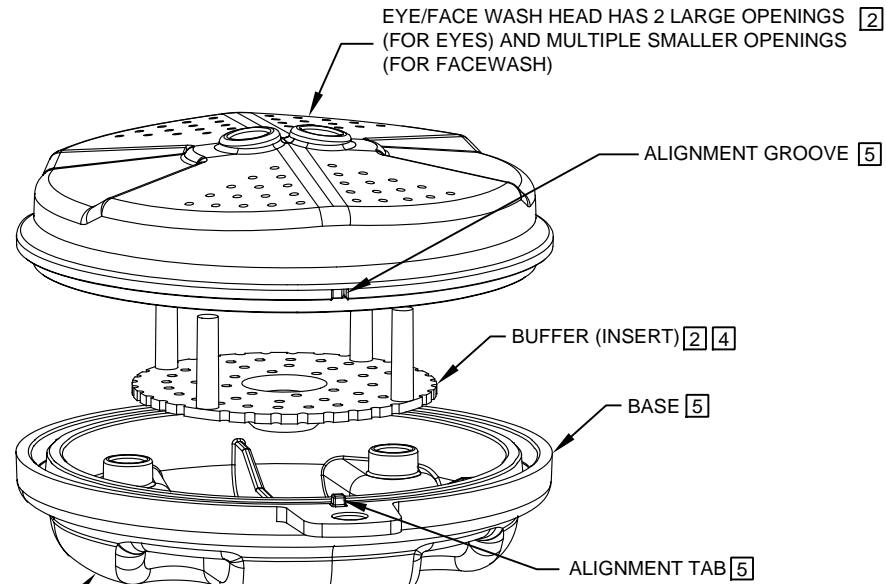
NOT FOR USE ON ANY FREEZE RESISTANT UNITS.  
NOTE CORRESPONDING LETTERS ON PARTS BREAKDOWN DRAWING.  
IF EXISTING UNIT INCLUDES HALO DUST COVER, THE DUST COVER SHOULD BE REMOVED FROM THE ACTUATOR PADDLE (4 SCREWS AND NUTS WITH 7/16" FLATS) PRIOR TO INSTALLATION OF HAWS AX15 RETROFIT KIT.

### INSTALLATION INSTRUCTIONS:

- REMOVE EXISTING BRADLEY HALO EYE/FACE-WASH HEAD.
  - USE 5/16" HEX WRENCH TO REMOVE PLUG FROM END OF HEAD.
  - REMOVE HEAD BY PULLING GENTLY OUTWARD.
  - LOOSEN LOCK NUT AT THE BASIN WITH A 1" OR ADJUSTABLE WRENCH.
  - REMOVE FEED TUBE FROM VALVE WITH ADJUSTABLE WRENCH.
  - RETAIN LOCK NUT FOR USE WITH HAWS AX15 KIT.
- FLUSH SYSTEM TO REMOVE LINE DEBRIS PRIOR TO INSTALLING AX15 COMPONENTS.
- INSTALL EXISTING LOCK NUT ON FEED TUBE ADAPTER (ITEM A).
- INSERT FEED TUBE ADAPTER (ITEM A) THROUGH HOLE IN BASIN AND THREAD INTO VALVE HAND TIGHT ONLY.
- THREAD NIPPLE (ITEM B) INTO THE FEED TUBE ADAPTER (ITEM A) HAND TIGHT ONLY.
- THREAD ELBOW (ITEM C) ONTO THE NIPPLE (ITEM B). TIGHTEN AS REQUIRED TO GET ELBOW OUTLET FACING VERTICALLY UPWARD. ADJUSTABLE WRENCH MAY BE USED ON ELBOW AND/OR FLATS ON FEED TUBE.
- PLACE LOOP OF DUST COVER (ITEM E) OVER SHANK OF AXION EYE/FACE-WASH HEAD (ITEM D) AND THREAD AXION EYE/FACE-WASH HEAD INTO ELBOW (ITEM C) AS SHOWN.
- ORIENT TAB (SEE SHEET 2 OF 2) ON AXION EYE/FACE WASH TOWARDS THE BACK (AWAY FROM USER). DO NOT OVER-TIGHTEN.
- GENTLY TIGHTEN LOCK NUT ON FEED TUBE ADAPTER AGAINST BASIN.
- FULLY TEST UNIT AND CHECK FOR ANSI COMPLIANCE USING ENCLOSED CHECKLIST AFTER UPGRADING THE INSTALLATION.

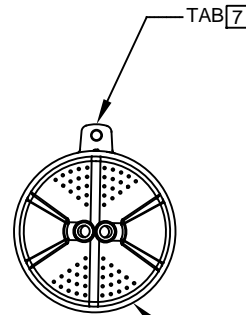


		1455 KLEPPE LANE SPARKS, NEVADA 89431 (775) 359-4712 FAX (775) 359-7424 E-MAIL: HAWS@HAWS.CO.COM WEBSITE: WWW.HAWS.CO.COM	
		ECN NO. 5507 REVISED PER: ECN: 5507 DATE: 11/02/2020 BY: FV	MODEL(S) AX15
DRAWN: DP APPROVED: JL	DATE: 01/20/20	CHK'D: FV	REVISION 1
SCALE: 1:1	DRAWING TYPE: INSTALLATION	SIZE: A	SHEET 1 OF 2



FLOW CONTROL SHOWN IN PLACE  
NOTE: PRESS FLOW CONTROL IN UNTIL IT BOTTOMS OUT

[3] **DETAIL A**

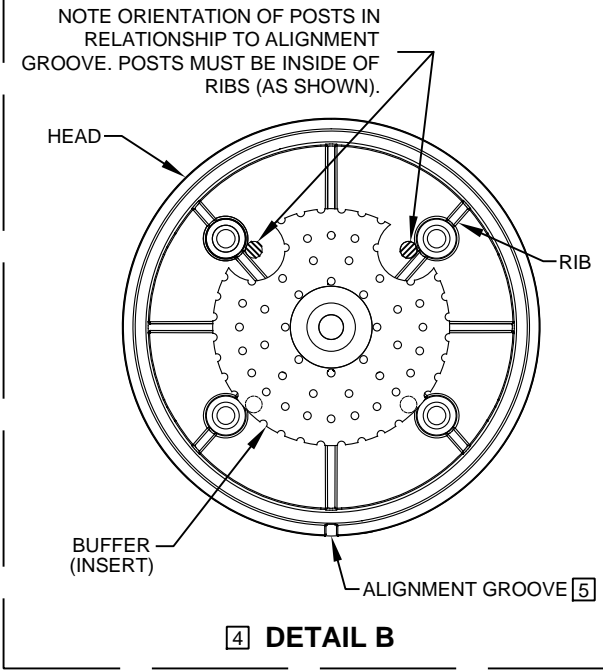


EYE/FACE WASH SHOWN WITHOUT DUST COVER [8]

## AXION EYE/FACE WASH CLEANING DETAIL

### FLOW CONTROL CLEANING STEPS:

- [1] UNSCREW EYE/FACE WASH ASSEMBLY FROM ADAPTER (NOT SHOWN).
- [2] REMOVE SCREWS (QTY. 4) FROM EYE/FACE WASH ASSEMBLY. REMOVE EYE/FACE WASH HEAD AND BUFFER (INSERT).
- [3] REMOVE EXISTING FLOW CONTROL FROM BASE BY PUSHING IT OUT FROM THE TOP, AND CAREFULLY REMOVE ANY DEBRIS LODGED BETWEEN O-RING AND HOUSING OR OPENINGS. ALSO, CHECK FOR ANY SEDIMENT OR MINERAL DEPOSITS BLOCKING OPENINGS. EXERCISE CAUTION NOT TO DAMAGE OR LOSE O-RING IN THE PROCESS. ALL OPENINGS ON FLOW CONTROL MUST BE FREE AND CLEAR OF ANY OBSTRUCTIONS FOR FLOW CONTROL TO FUNCTION PROPERLY. REINSTALL FLOW CONTROL. SEE **DETAIL A** FOR ORIENTATION.
- [4] INSERT BUFFER (INSERT) INTO EYE/FACE WASH HEAD NOTING ORIENTATION OF POST IN RELATIONSHIP TO ALIGNMENT GROOVE AS SHOWN ON **DETAIL B**.
- [5] REASSEMBLE EYE/FACE WASH HEAD, MAKING SURE THAT ALIGNMENT GROOVE ON EYE/FACE WASH HEAD LINES UP WITH ALIGNMENT TAB ON BASE.
- [6] REINSTALL SCREWS (QTY. 4) INTO THE EYE/FACE WASH ASSEMBLY. TIGHTEN SNUG TO ENSURE A WATERTIGHT SEAL. DO NOT OVER-TIGHTEN. TORQUE SPEC: 4 IN. LBS. MAX
- [7] REASSEMBLE EYE/FACE WASH ASSEMBLY ONTO ADAPTER (NOT SHOWN). ORIENT TAB TOWARDS THE BACK (AWAY FROM USER). DO NOT OVER-TIGHTEN.
- [8] PLACE DUST COVER (NOT SHOWN) ONTO EYE/FACE WASH.



		1455 KLEPPE LANE SPARKS, NEVADA 89431 (775) 359-4712 FAX (775) 359-7424 E-MAIL: HAWS@HAWS.CO.COM WEBSITE: WWW.HAWS.CO.COM	
		ECN NO. 5507 ECN: 5507 DRAWN: FV DATE: 01/09/20 CHK'D.: FV	MODEL(S)  AX15
APPROVED: JL DATE: 01/20/20	SCALE: N/A DRAWING TYPE: INSTALLATION	SIZE: A	SHEET 2 OF 2