

SS100-LED / SS100EXd-LED

Slick Sleuth® Oil Detection & Alarm



Ready-replacement of Parts/Sensors

Slick Sleuth® oil spill monitors remotely sense oil on water or ground with high sensitivity. Real-time alerts facilitate automated spill containment and early-warning response.

FEATURES AND BENEFITS

- Optical NON-CONTACT sensor technology
- Used worldwide for industrial & environmental applications
- Detects crude, diesel, transformer, jet, oils & fuels
- Weatherproof and explosion-proof
- Risk mitigation. Spill prevention. Peace of mind
- Sensor systems for sale, lease, or on subscription basis
- Payback with single event detection
- World's most widely used sensor for detection of leaks & spills



OMNI 24 SERVICE

All Inclusive:

- 24/7 Monitoring
- Real-time Alerts – Any Device
- Secure Web User Interface/Dashboard
- Same-day Tech Support
- Ready-replacement of Parts/Sensors
- Firmware/Software Updates



SlickSleuth®

www.InterOceanSystems.com | +1 858.565.8400

75^{plus}
InterOcean Systems, LLC

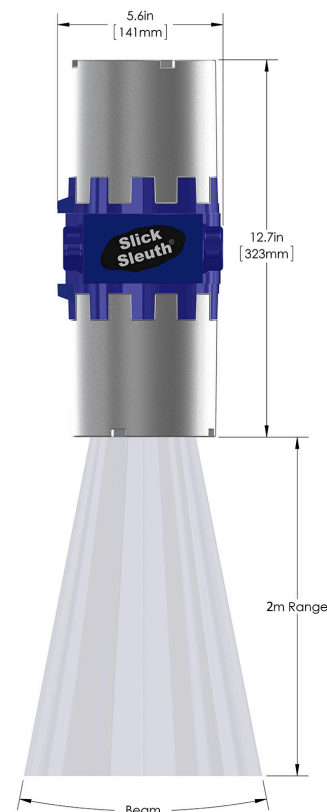
SS100-LED Type 5/6 PN: 47358620-0x
 SS100EXd-LED Type 5/6 PN: 47358620-2x

REFINERIES • TERMINALS • PLANTS • SUMPS • SEWERS • DIKES • DRAINS



SPECIFICATIONS

OPERATION	Automated, optical, non-contact sensor Continuous monitoring for presence of oil Patented technology - InterOcean proprietary UV fluorometer Detection of crude, diesel, transformer, jet, many oil/fuel types (contact factory specific to all product types detected)
SENSITIVITY	1-micron (typical), depending on oil type and distance to target Sensitivity is user adjustable for each application/location
DETECTION RANGE	0.4 to 2 meters over ground or water
UV LIGHT SOURCE	Pulsed LED, focused beam Type 5 - 7° beam 0.24 m (5.9") diameter detection area at 2m Type 6 - 20° beam 0.70 m (16.9") diameter detection area at 2m LED element is field replaceable and warranted for 5 years
ENCLOSURE	Cast aluminum with polyester powder coat Watertight - NEMA 4X, IP66 Dimensions - 16x16x33 cm (6x6x13") Weight - 5.4 kg (12 lbs.) Mounting boss for bracket, pole, or surface mount
CERTIFICATIONS	CE US EPA: EPA 530 / UST 90/900 IECEX: Ex db IIB+H2 T6 Gb IP66 (EXd models only) ATEX: II 2 G Ex db IIB+H2 T6 Gb IP66 (EXd models only)
TEMPERATURE	-15°C to +60°C operating; -25°C with optional heater & insulating cover -40°C to +75°C non-operating
CONTROLS	Magnetic switch - set configuration and operating point Multi-color LED - indicates power on and operating status
POWER SUPPLY	100 to 240 VAC, 50/60 HZ, single phase 20 to 28 VDC, from external battery, solar panel, or power supply
ELECTRICAL	Serial data - asynchronous RS485, proprietary format Analog 4-20mA current loop indicates detection and operating status Relay contact closure (SPST - NO) indicates oil spill detection Relay contact closure (SPST - NC) indicates normal operating status USB port - connection to laptop computer and utility software
REMOTE ACCESS	Optional external field radio or internet gateway Optional internet access via secure dashboard and web user interface Custom remote telemetry solutions are available - contact factory
WARRANTY	2-year factory warranty - parts and labor; extended warranty available 5-year warranty - UV light source, optical filters and lenses
SERVICE	A variety of plans are available for installation, operation, equipment maintenance, and global remote internet access



InterOcean Systems, LLC
 9201 Isaac Street, Santee, California 92071 USA
 sales@slicksleuth.com | www.InterOceanSystems.com | +1 858.565.8400
 InterOcean Systems, LLC is an affiliate of Delmar Systems, Inc.

