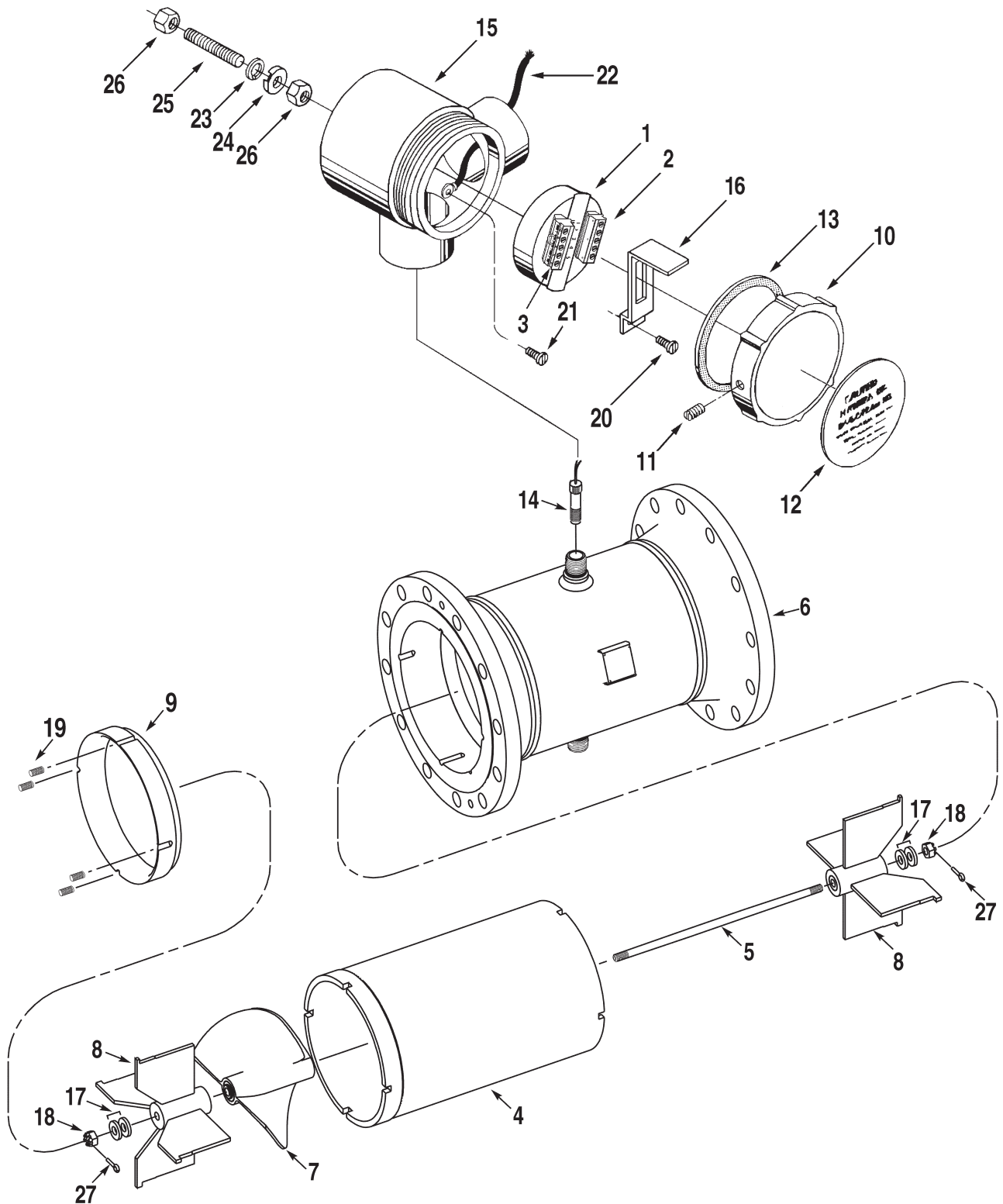


Meter, Turbine, 10 Inch, Multi-Viscosity



Item	Description	Qty.	Part Number
1	+ Preamplifier, PA-6, 12 to 24 vdc.....	#	230663-101
2	Connector, (1-5).....	#	645030-452
3	Connector, (6-10).....	#	645030-453
4	Tube, Measuring.....	1	544905-150
5	Shaft, Stator	1	544909-250
6	Housing	1	See Note 1
7	Rotor Assembly	1	See Note 2
8	Stator.....	2	544919-150
9	Retaining Ring.....	1	Consult Factory
10	Cover, Conduit Box:		
	UL/CSA.....	#	543196-100
	ATEX – Manufactured in U.S.A.....	#	544057-101
	ATEX – Manufactured in Germany.....	#	544057-102
11	Screw, Set, #6-32 X 1/4"	#	643243-403
12	Label		
	UL/CSA Approvals.....	#	543195-200
	ATEX Approvals – Manufactured in U.S.A.	#	544056-201
	ATEX Approvals – Manufactured in Germany	#	544056-202
13	Gasket, Conduit Box	#	013403-200
14	+ Pick-up Coil	#	646214-401
15	Box, Conduit.....	#	543256-200
16	Clip, Retaining	#	543192-203
17	Washer Set.....	2	646221-404
18	Castle Nut.....	2	643729-402
19	Screw	4	643731-403
20	Screw, #10-32 X 1/4".....	#	009544-401
21	Screw, #10-32 X 1/4", UL/CSA version only.....	#	006110-002
22	Wire, Ground, UL/CSA version only	#	544058-101
23	Washer, Lock, 1/4", ATEX only.....	#	006621-001
24	Washer, Inverted, ATEX only.....	#	550770-001
25	Stud, ATEX only	#	550773-001
26	Nut, Hex, 1/4"-20, UNC-2B, ATEX only.....	#	060060-001
27	Pin, Cotter	2	003421-401
	Internal Parts Kit Titanium Rotor		See Note 2
	Pick-up Coil Kit – UL/CSA		543852-140
	Pick-up Coil Kit – ATEX – Manufactured in U.S.A.....		543852-150
	Pick-up Coil Kit – ATEX – Manufactured in Germany		543852-151

+ Recommended Stock
As Required

Note 1. Consult Factory, (814) 898-5000, providing Model and Serial Numbers and advising:

1. Housing Material
2. Flange Material
3. Flange Class (Pressure)

Note 2. Consult Factory, (814) 898-5000, providing Model and Serial Numbers and advising:

1. Rotor Material
2. Application Data (Fluid Type, Viscosity Range, Temperature Range and Flow Rates)

P0597.02X has been made obsolete and replaced by publication number PO02026 (September 2013).

Headquarters:

500 North Sam Houston Parkway West,
Suite 100, Houston, TX 77067 USA
Phone: +1 (281) 260 2190
Fax: +1 (281) 260 2191

Operations:

Measurement Products and Equipment:
Ellerbek, Germany +49 (4101) 3040
Erie, PA USA +1 (814) 898 5000

Integrated Measurement Systems:

Corpus Christi, TX USA +1 (361) 289 3400
Kongsberg, Norway +47 (32) 286700

The specifications contained herein are subject to change without notice and any user of said specifications should verify from the manufacturer that the specifications are currently in effect. Otherwise, the manufacturer assumes no responsibility for the use of specifications which may have been changed and are no longer in effect.

Contact information is subject to change. For the most current contact information, visit our website at www.fmctechnologies.com/measurementsolutions and click on the "Contact Us" link in the left-hand column.

www.fmctechnologies.com/measurementsolutions