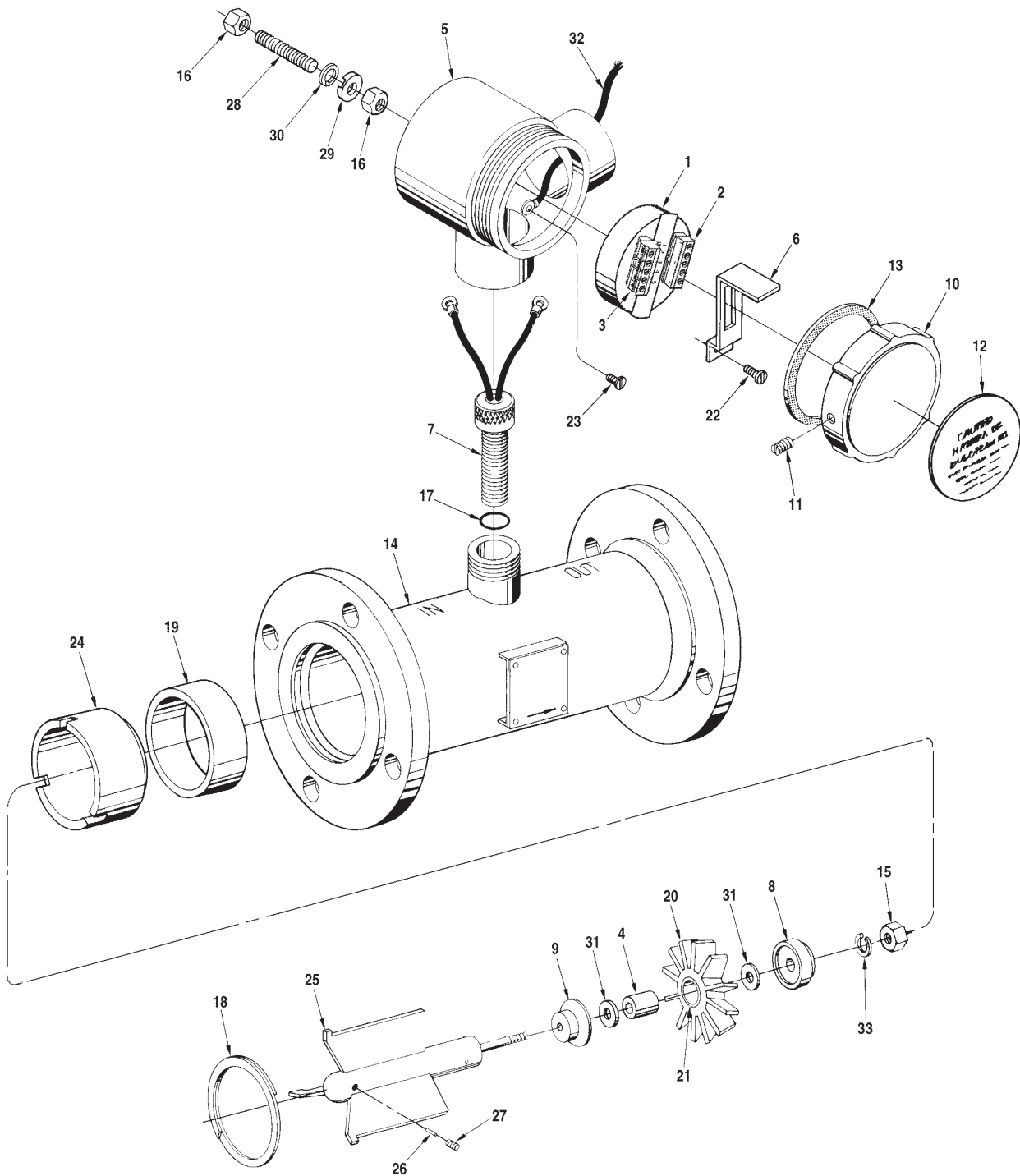


Meter, Turbine, 1-1/2 Inch, Guardsman™ G, Model K2BA and GLJ-H Model K2EA Series

Bulletin PO02001 Issue/Rev. 0.1 (07/14)



Item	Description	Qty.	Part Number
1	+ Preamplifier:		
	PA-6, 12 to 24 Vdc.....	#	230663-101
2	Connector, (1-5).....	1	645030-452
3	Connector, (6-10).....	1	645030-453
4	Bearing, Platform:		
	Smooth	1	540305-204
5	Box, Conduit	#	543256-200
6	Clip, Retaining	#	543192-203
7	Coil, Pickup		
	-100°F to 225°F	#	646655-401
	-100°F to 400°F (High Temperature Version)	#	Consult Factory
	Mating Connector with Leads (High Temperature Version)	#	Consult Factory
8	Cone, Downstream:		
	Unidirectional or Bidirectional.....	1	544367-201
9	Cone, Upstream:		
	Unidirectional or Bidirectional.....	1	544356-202
10	Cover, Conduit Box:		
	UL/CSA Approvals	#	543196-100
	ATEX Manufactured in U.S.A.....	#	544057-101
	ATEX Manufactured in Germany	#	544057-102
11	@3 Screw, Set, #6-32 x 1/4"	#	643243-403
12	Label:		
	UL/CSA Approvals	1	543195-200
	ATEX Manufactured in U.S.A.....	1	544056-201
	ATEX Manufactured in Germany	1	544056-202
13	Gasket, Conduit Box.....	#	013403-200
14	Housing.....	1	See Note 2
15	+@3 Nut, Hex, #2-56.....	1	643747-405
16	Nut, Hex, 1/4"-20, ATEX version only	#	060060-001
17	O-Ring, (Carbon Steel Housing only).....	#	641069-474
18	+ Ring, Retaining:		
	302 Stainless Steel.....	1	644420-404
	316 Stainless Steel.....	1	644718-404
19	Ring, Stator Locking (Used on 900# Flange Meters only).....	1	544142-204
20	@1 Rotor Assembly:		
	Standard	1	544361-191
21	+ Bearing, Rotor.....	1	540296-204
22	Screw, #10-32 x 1/4".....	#	009544-401
23	Screw, #10-32 x 1/4", UL/CSA version only.....	#	006110-002
24	Spacer, Stator (Used on 900# Flange Meters only)	1	544324-212
25	Stator Assembly.....	1	544363-101
26	Pin, Dowel	1	644541-402
27	@3 Screw, Set, #8-32 x 3/16"	1	645416-402
28	R Stud, ATEX Version only.....	#	550773-001
29	Washer, Inverted, ATEX version only	#	550770-001
30	Washer, Lock, 1/4", ATEX version only.....	#	006621-001
31	+ Washer, Thrust.....	2	543522-203
32	Wire, Ground, UL/CSA versions only	#	544058-101
33	Washer, Lock	#	643164-413

Description	Part Number
-------------	-------------

Internal Parts Kit

Unidirectional, (STD Linearity).....	544362-101
Bidirectional, (STD Linearity).....	544362-102
Unidirectional, (Premium Linearity)	544362-201
Bidirectional, (Premium Linearity).....	544362-202

- + Recommended stock.
- # Order quantity required.
- R Indicates revision since last issued.

@1 Due to a change in the design of this meter in September of 1989, it is necessary to determine whether your meter is of current or previous design. Standard serial numbers up to and including 6252, and special serial numbers up to and including 200995 are considered previous design. Numbers higher than those are considered current design. Should either an upstream or downstream cone require replacement on a previous design meter, it will be necessary to replace both at the same time. Cones on current design meters can be replaced individually.

@2 Consult Factory, 814 898-5000, providing model and serial numbers and advising:

1. Uni or Bidirectional
2. Housing Material
3. Flange Material
4. Flange Class (Pressure)
5. Number of Pickup Coil Bosses
6. Type of Flange

@3 Thread-locking adhesive (Part No. 642917401) should be used to lock nut on stator shaft, #27, and to secure set screw #11.

The specifications contained herein are subject to change without notice and any user of said specifications should verify from the manufacturer that the specifications are currently in effect. Otherwise, the manufacturer assumes no responsibility for the use of specifications which may have been changed and are no longer in effect.

USA Operation
1602 Wagner Avenue
Erie, Pennsylvania 16510 USA
P:+1 814.898.5000

Germany Operation
Smith Meter GmbH
Regentstrasse 1
25474 Ellerbek, Germany
P:+49 4101 304.0

TechnipFMC
13460 Lockwood Road
Building S01
Houston, Texas 77044 USA
P:+1 281.591.4000

TechnipFMC.com

© TechnipFMC plc. 2020 All rights reserved. PO02001 Issue/Rev. 0.1 (07/14)