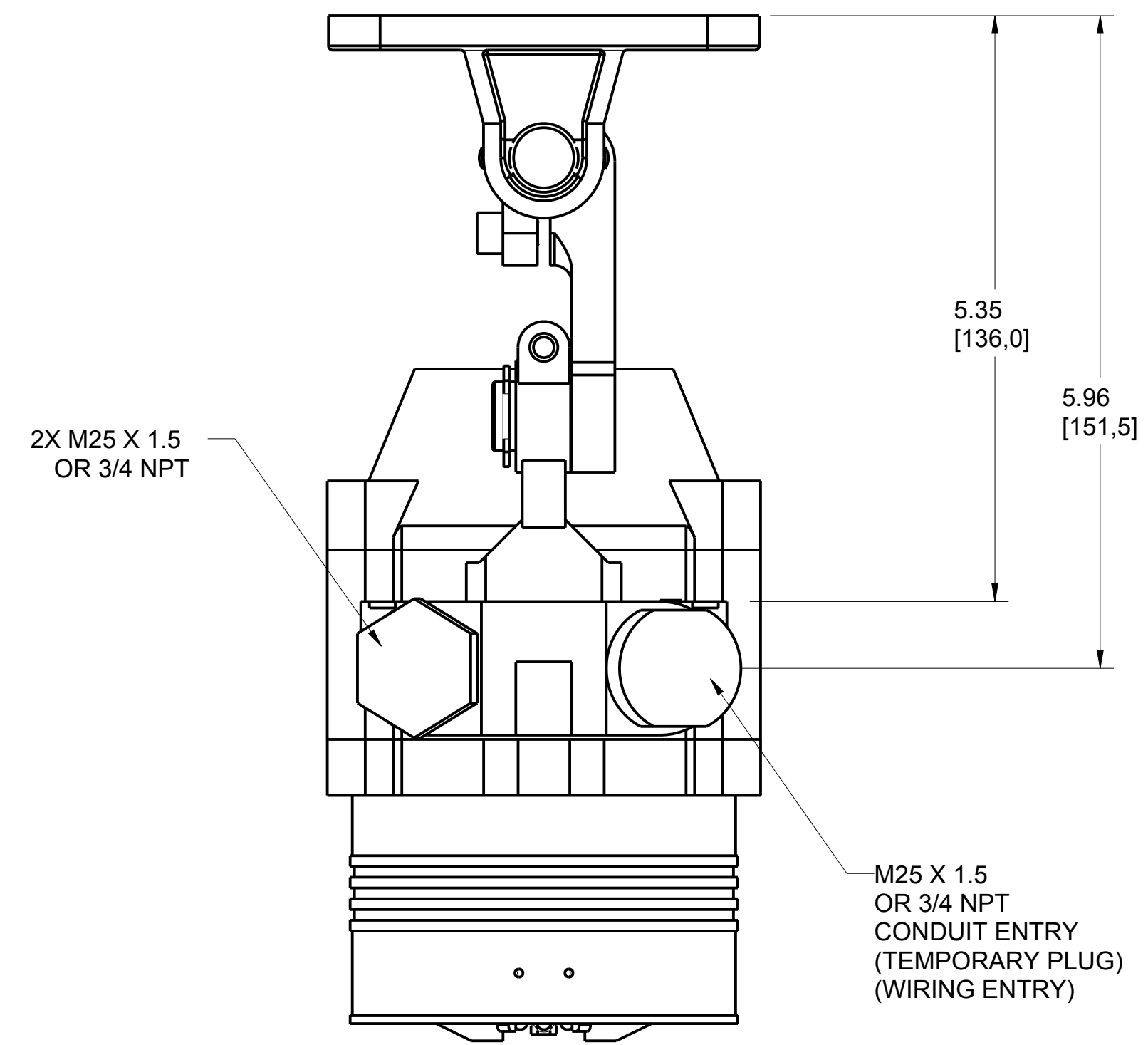
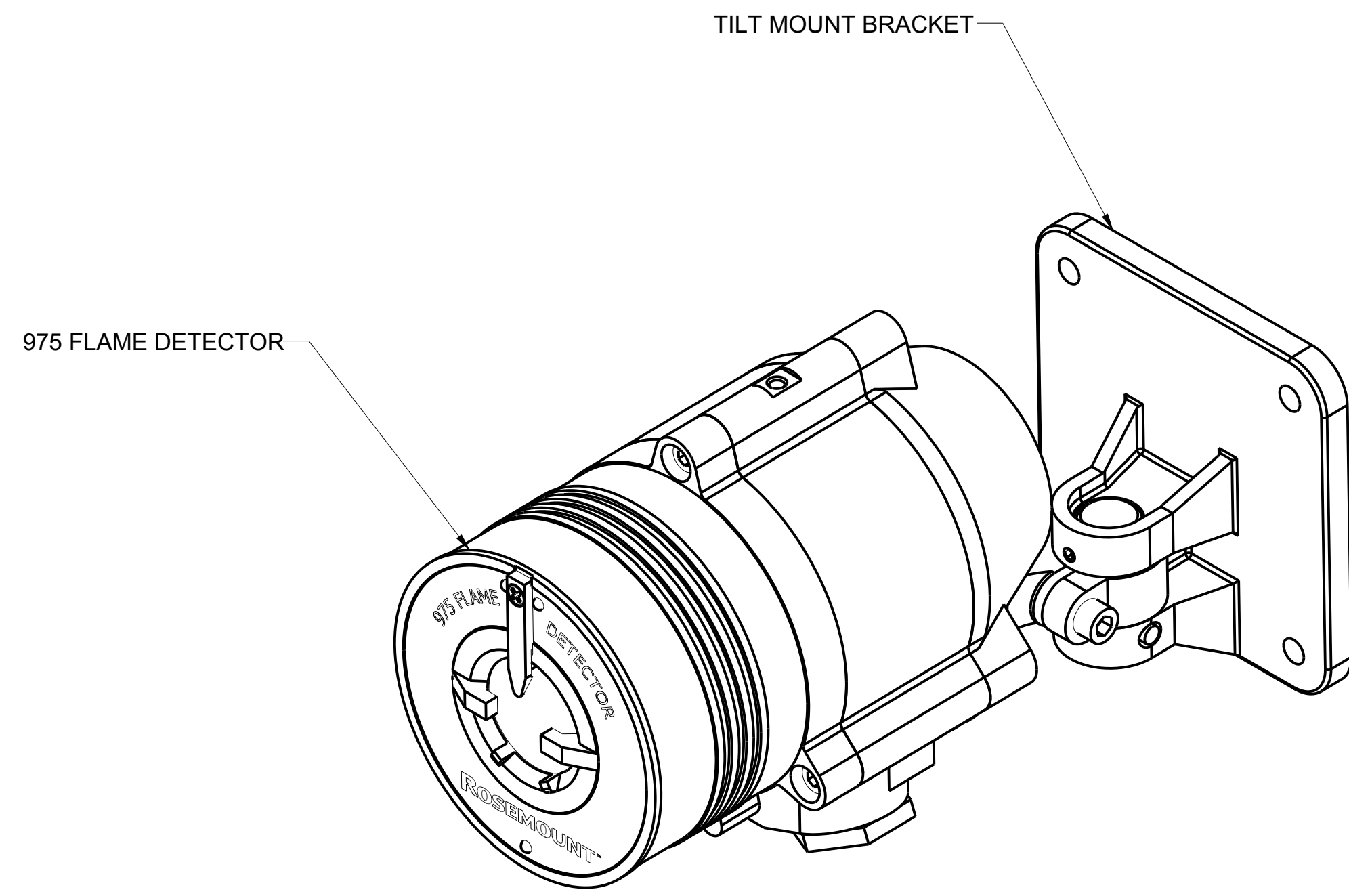
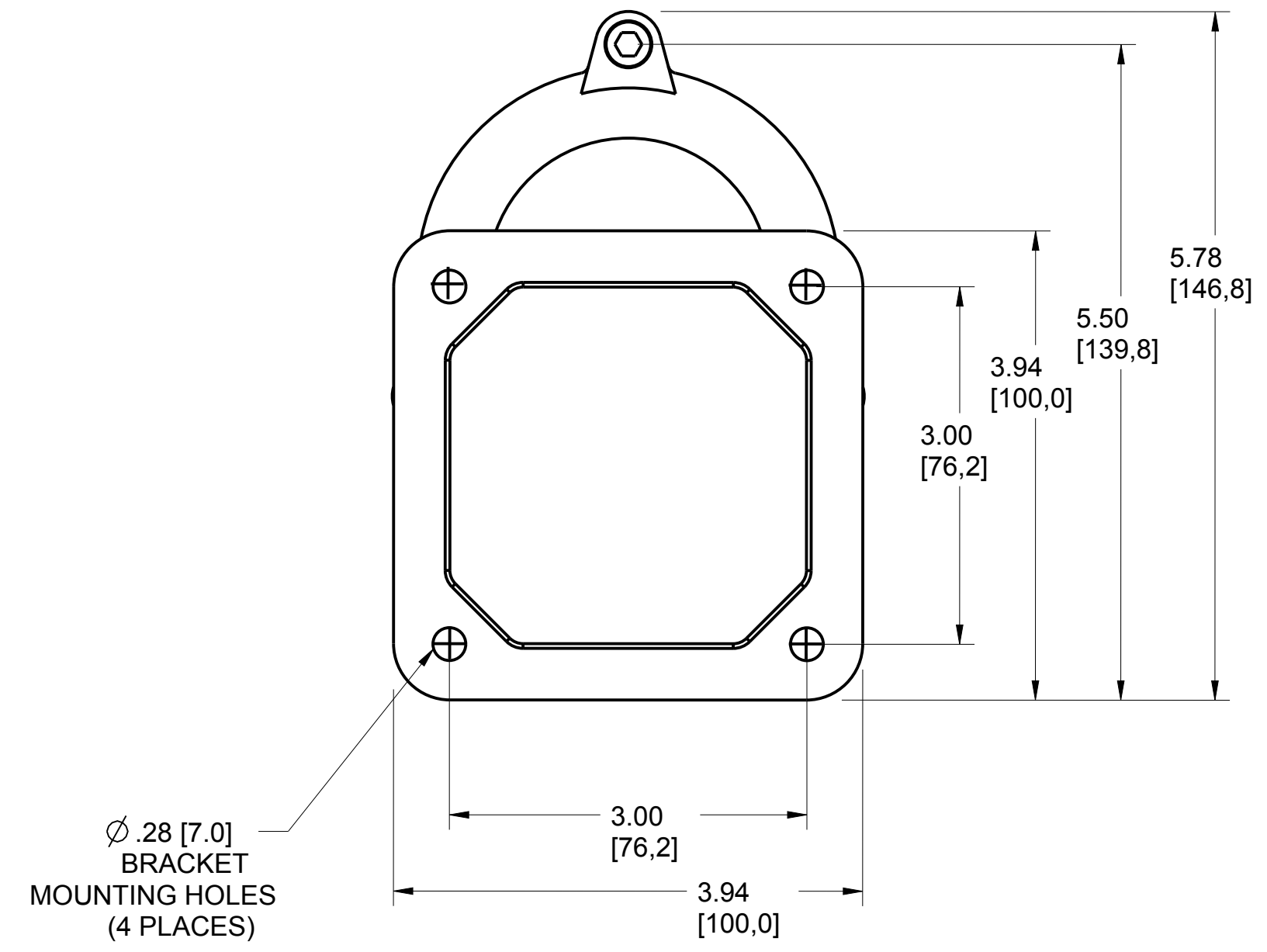
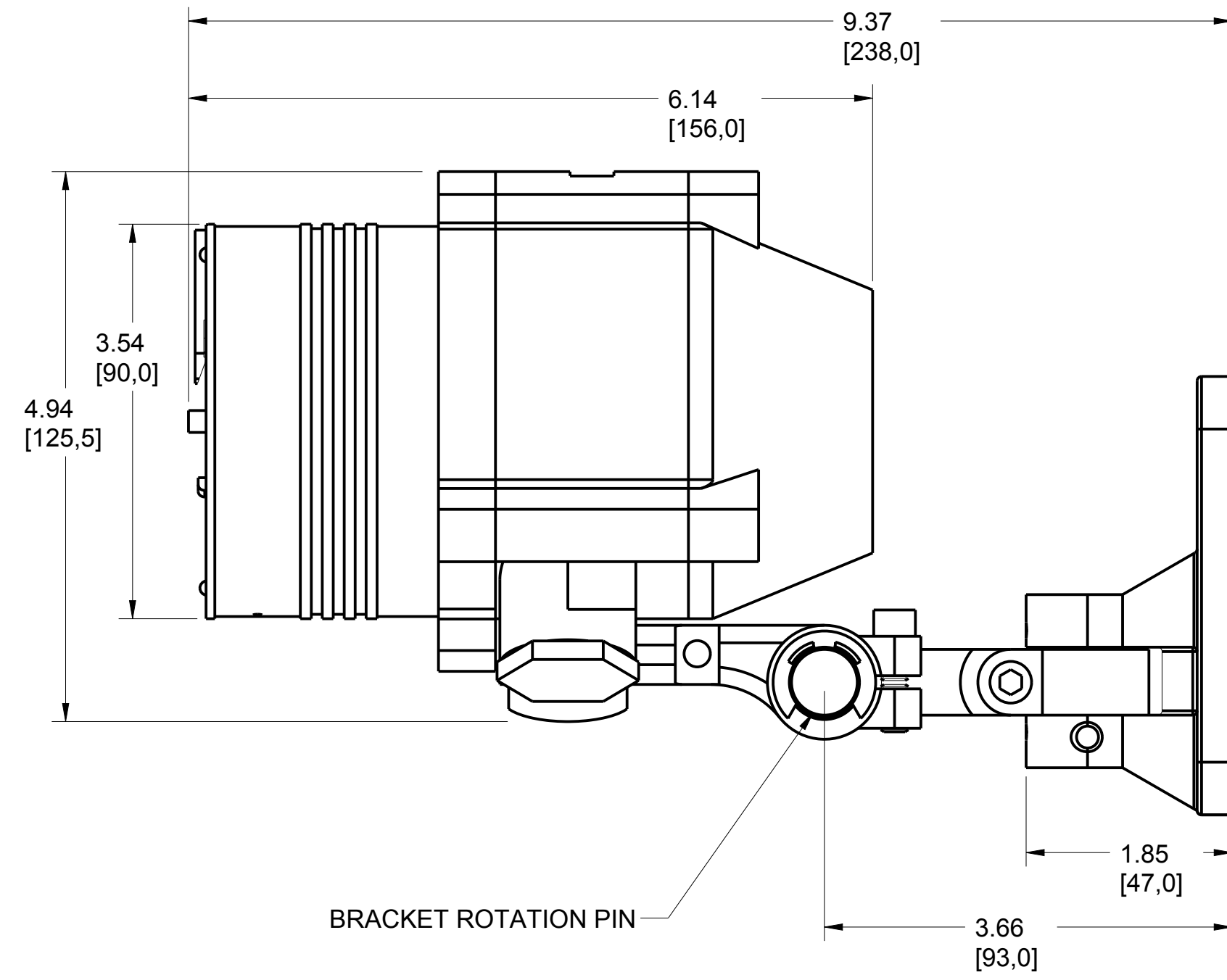


MODEL 975 FLAME DETECTOR AND TILT MOUNT BRACKET ASSEMBLY

REVISION TABLE			
REVISION	ECO NO.	APP'D	DATE
AA	RTCXXXXXX	M. NYLAND	12/8/16
DESCRIPTION			
NEW RELEASE			



©2015 ROSEMOUNT INC.
ROSEMOUNT INC. CERTIFIES
THIS DRAWING TO BE IN
ACCORDANCE WITH
ROSEMOUNT ENGINEERING
SPECIFICATIONS.
UNIT NOTES IN INCHES (mm).
REFERENCE ROSEMOUNT
PRODUCT SPECIFICATIONS.
CLICK HERE

3RD ANGLE

EMERSON

ROSEMOUNT 975 FLAME DETECTOR
and TILT MOUNT BRACKET

DR. J. ARMSTRONG 10/21/16 DRAWING NO. 00975-7000
APP'D M. NYLAND 10/21/16

CAD MAINTAINED, (PROE) SHEET 1 OF 1