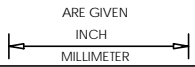
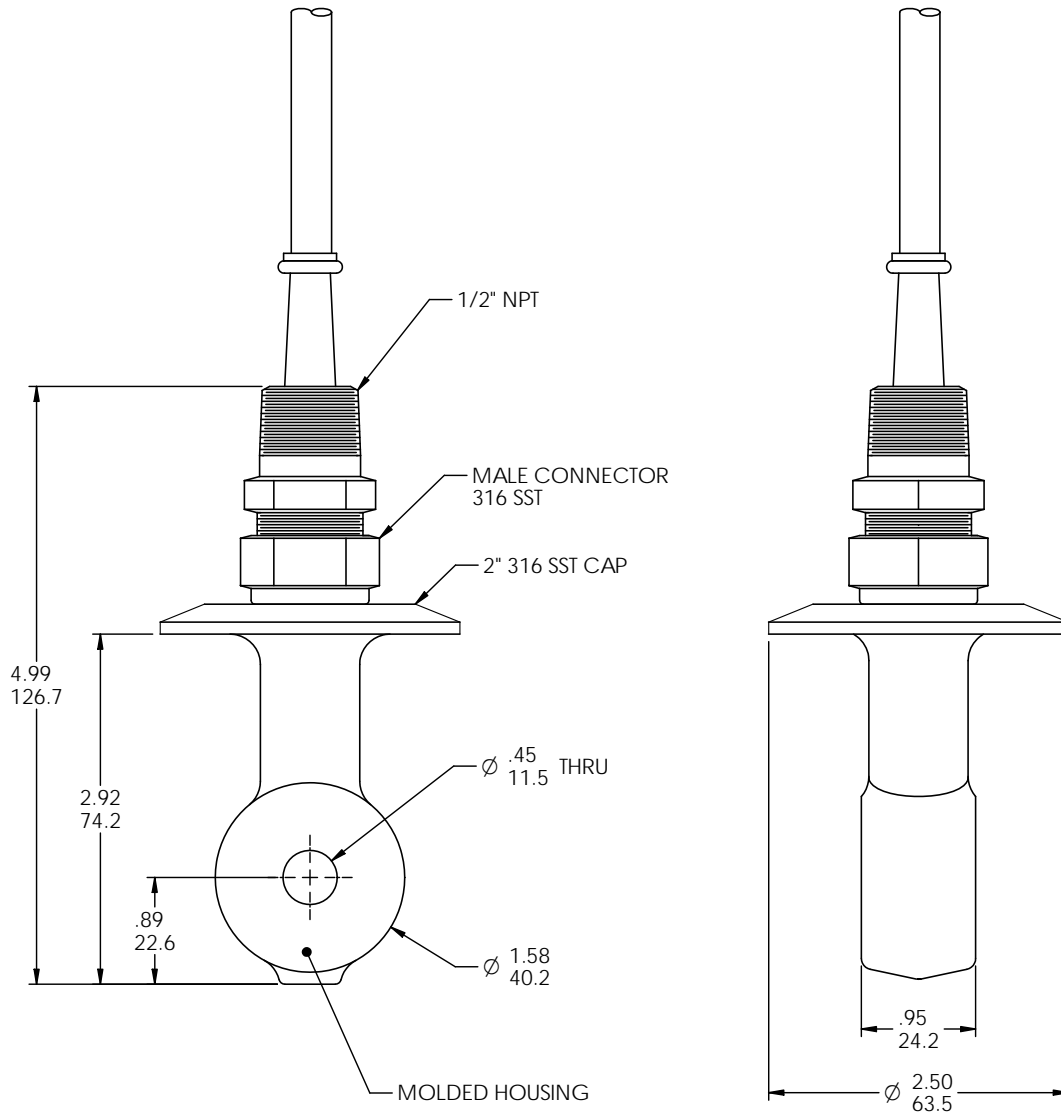


WHEN INCH AND METRIC DIMS
ARE GIVEN



REVISIONS

LTR	DESCRIPTION	DATE	APVD
A	NEW RELEASE	2/8/05	R.B.



NOTES: UNLESS OTHERWISE SPECIFIED

APPROVALS		DATE	Emerson <small>Emerson Process Management, Rosemount Analytical Division 2400 Barranca Pkwy Irvine, CA 92606</small>
DRAWN	D. LLOYD	2/01/05	
CHECKED	R. BARIL	2/8/05	
PROJECT ENGR APVD			
THIS DWG CONVERTED TO SOLID EDGE			B <small>SIZE</small>
			<small>DWG NO</small> 40225015
			<small>REV</small> A

TITLE
**CIP TOROIDAL
 CONDUCTIVITY SENSOR
 MODEL 225, -03, -07 & -08**